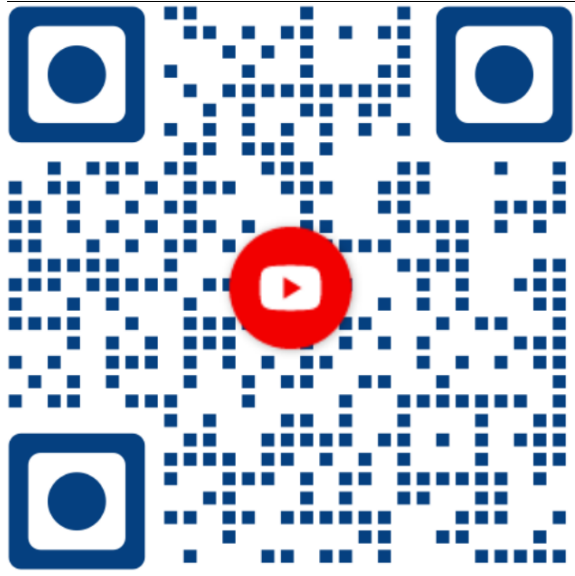
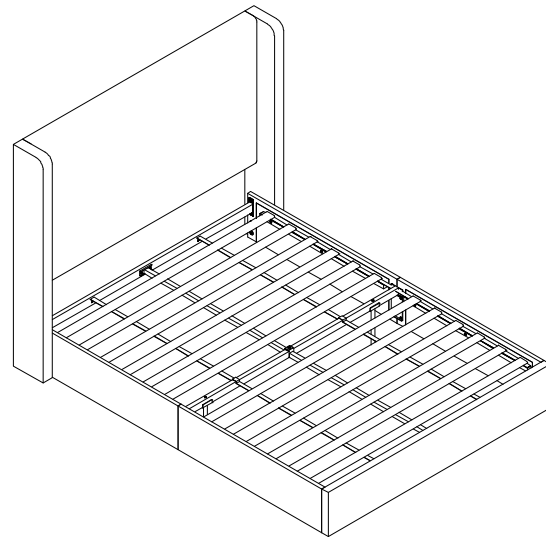








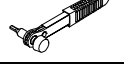
scan to see assembly video



When replacement request, please tell us
Component Alphabet and Model Number.

▲ Weight Limit: 1000 LBS / 454 KG



1		1/4"*3/4"	34
2		1/4"*1 9/16"	28
3		5/16"*1 3/16"	1
4		1/4" Washer	16
5		1/4" Spring Washer	8
6		4mm Allen Key	1
7		4mm Ratchet Wrench	1

1 Components

A	1PC	H	1PC
A1	1PC	I	2PCS
A2	1PC	J	2PCS
B	1PC	K	2PCS
C	1PC	L	1PC
D	1PC	S	1PC
E	1PC	T	1PC
F	1PC	Z	2PCS
G	4PCS	P	1PC
N	1PC		

2

▲ Do not completely tighten the BOLTS 1, leave half of the thread exposed.

1 X 6

3

1 X 14

4

5

2 X 8
4 X 8
5 X 8

6

2 X 4
4 X 4

