

CARE AND MAINTENANCE

Store outdoor furniture indoors or cover well when not in use.
Remove wooden furniture from standing water. Dust regularly with small brush or vacuum
Spills should be taken care of immediately before they harden or stain with a slightly dampened sponge.

NOTICE

- * Please make sure that you have all parts indicated before you begin assembly of this item
- * This item should be assembled on a soft surface to prevent scratching the finish during assembly
- * This item may require periodic tightening

**Weight Capacity : 275 lbs (single seat)
550 lbs (two person seat)**

Warning : Do not stand on bench

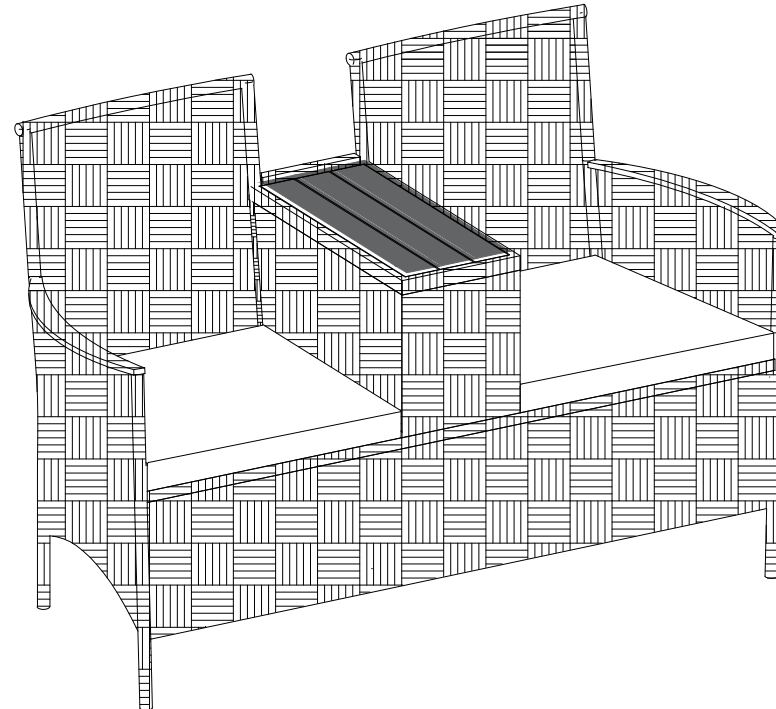
Warning : Do not over torque bolts/screws

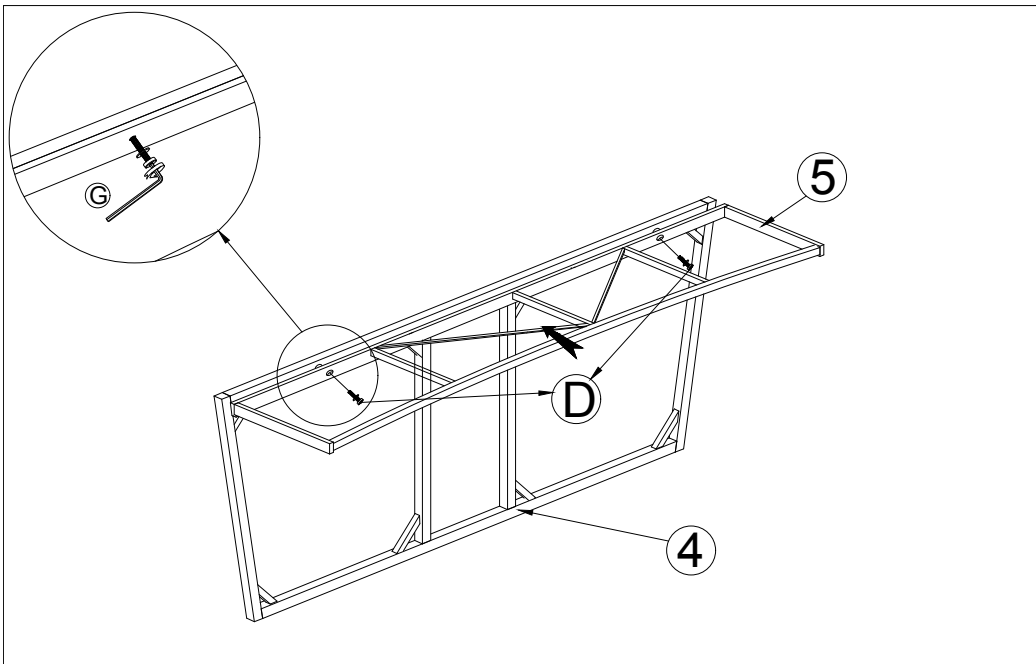


Part List and Hardware List

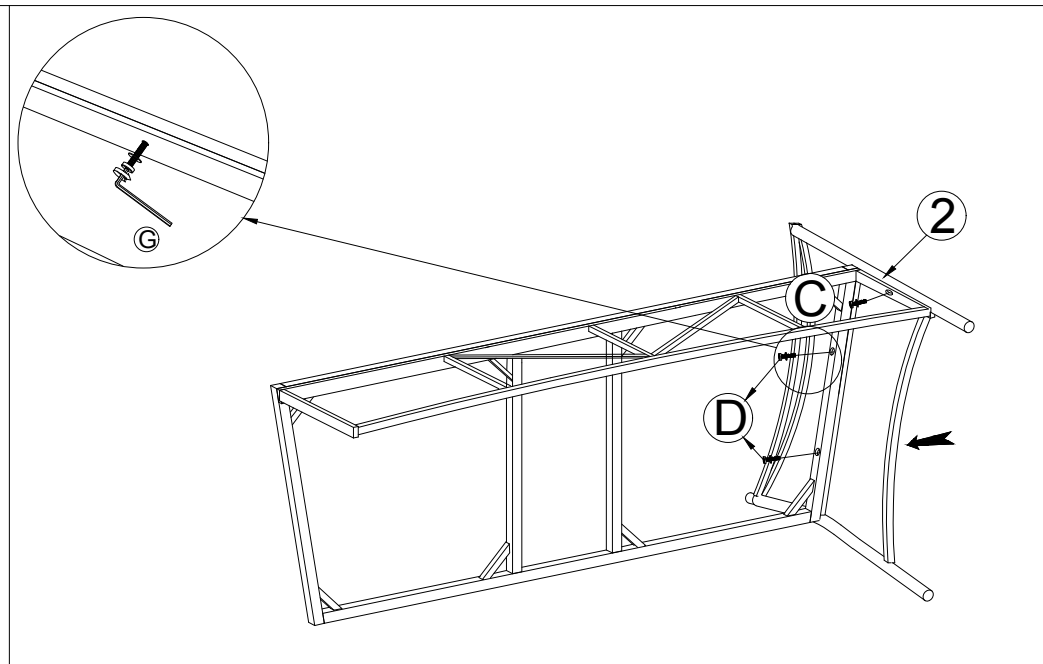
PIECE	DESCRIPTION	PICTURE	QUANTITY
1	Right Frame		1X
2	Left Frame		1X
3	Back Frame		1X
4	Seat Frame		1X
5	Front Frame		1X
6	Box Front Frame		1X
7	Box Right Side Frame		1X
8	Box Left Side Frame		1X
9	Box Top Frame		1X
10	Seat Cushion		2X
A	Gaslift		1X
B	Allen Bolt(M6x15 mm)		4X
C	Allen Bolt(M6x30 mm)		12X
D	Allen Bolt(M6x40 mm)		9X
E	Allen Bolt(M6x50 mm)		1X
F	Flat Washer		26X
G	Allen Key		2X
H	Washer (M6 X 5 mm)		1X
I	Washer (M6 X 10 mm)		1X
J	Nut		1X
K	Key		1X

**Product Dimensions:
54.72"x23.62"x32.68"H**

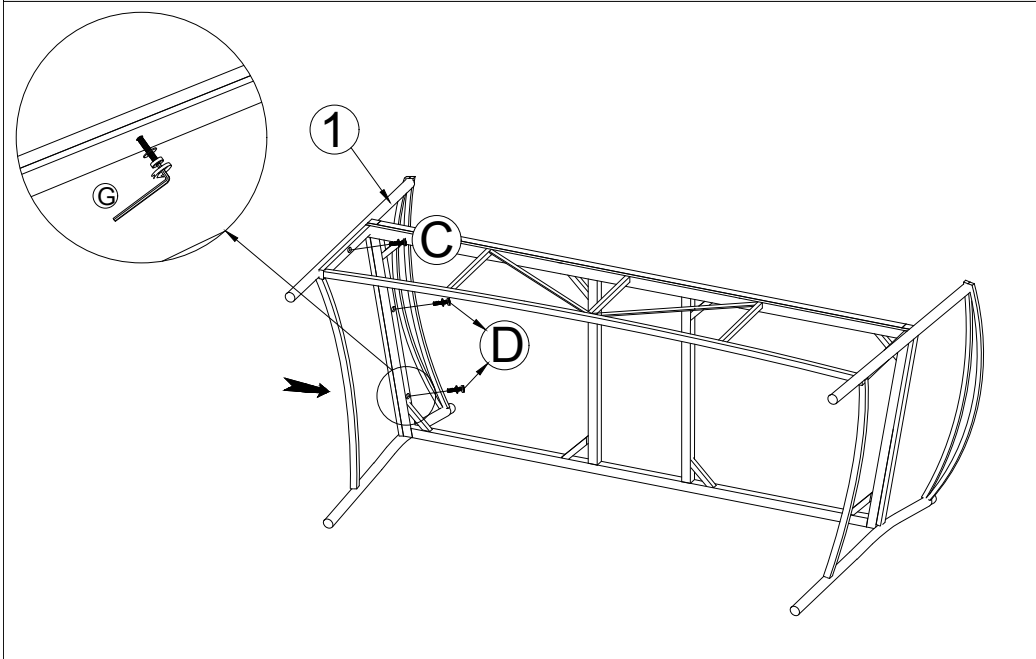




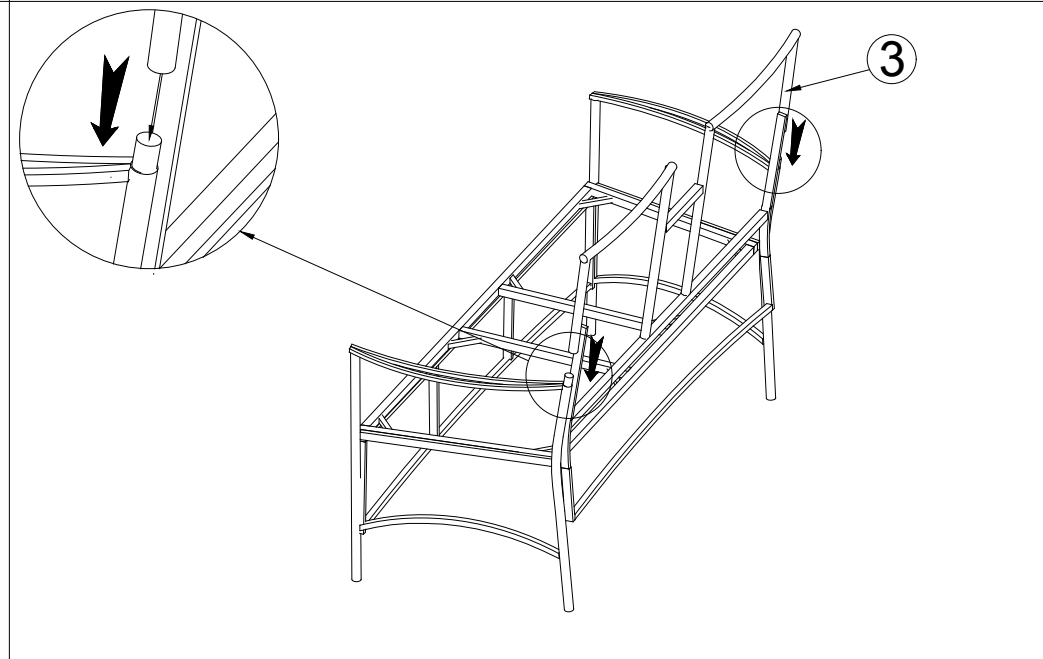
STEP 1: Connect Seat Frame (4) and Front Frame (5), tighten Bolt (D), Flat Washer (F) with Allen Key (G).



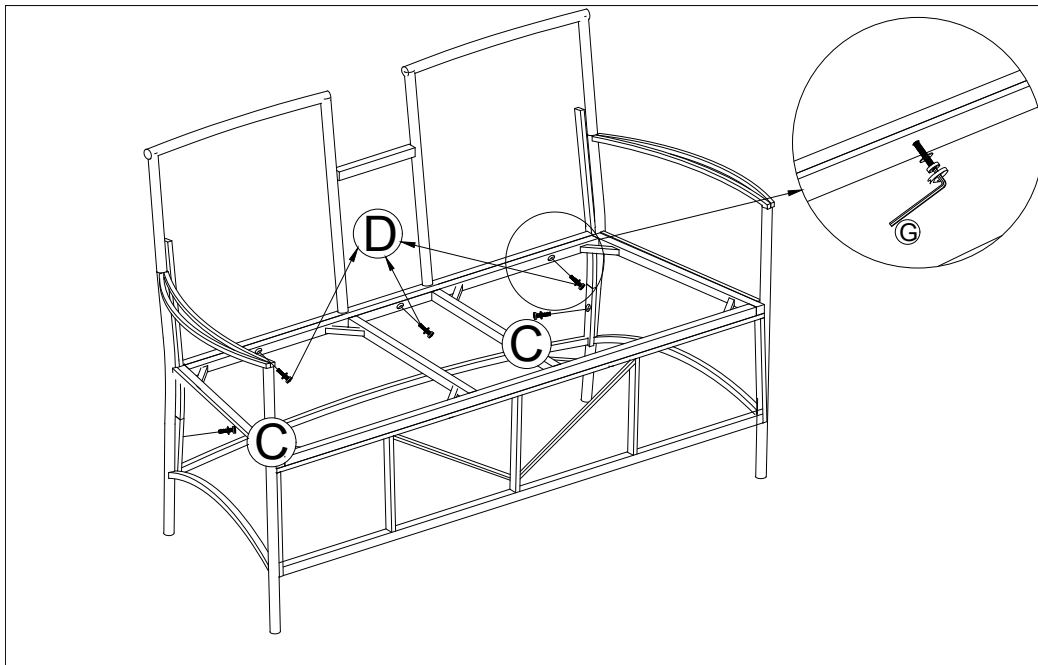
STEP 2: Connect The Part from STEP 1 and Left Frame (2), tighten Bolt (D),(C), Flat Washer (F) with Allen key (G).



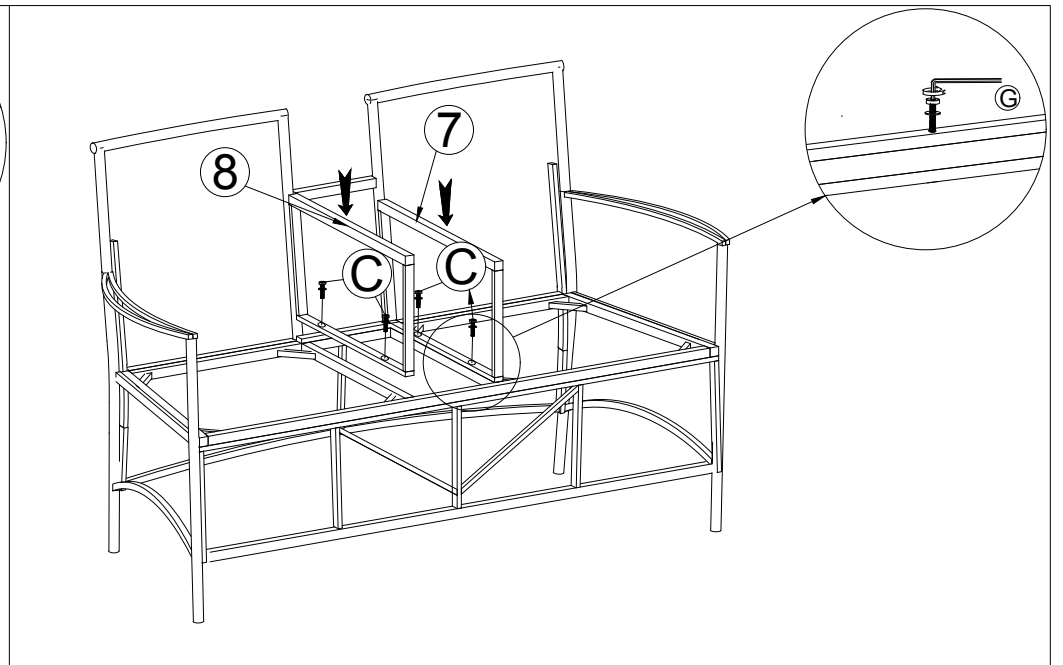
STEP 3: Connect The Part from STEP 2 and Right Frame (1), tighten Bolt (D),(C), Flat Washer (F) with Allen Key (G).



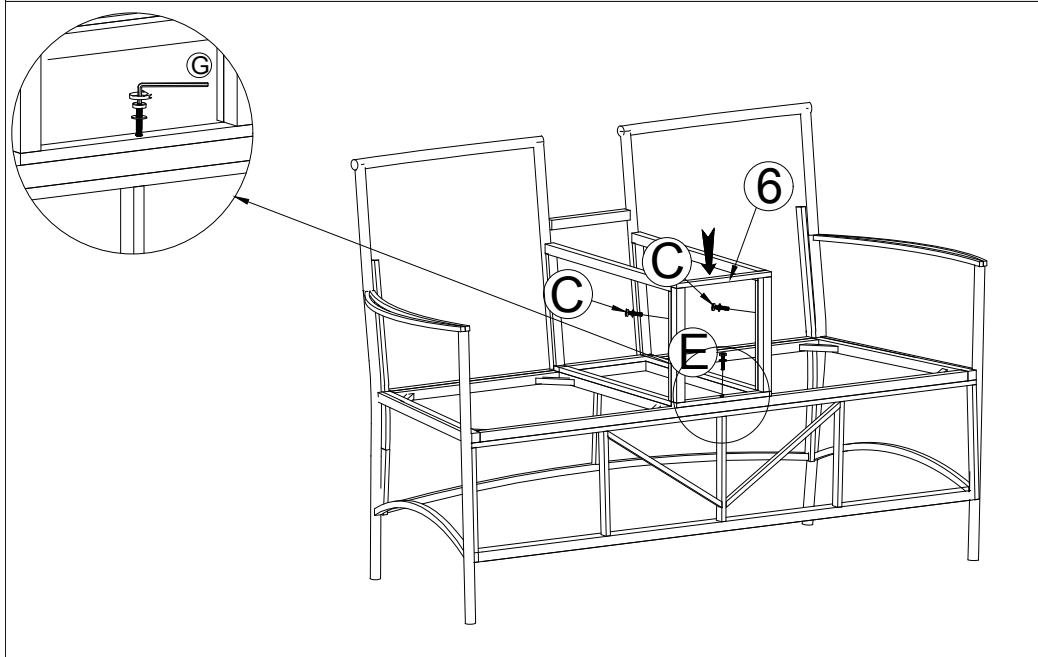
STEP 4: Connect The Part from STEP 3 and Back Frame (3)



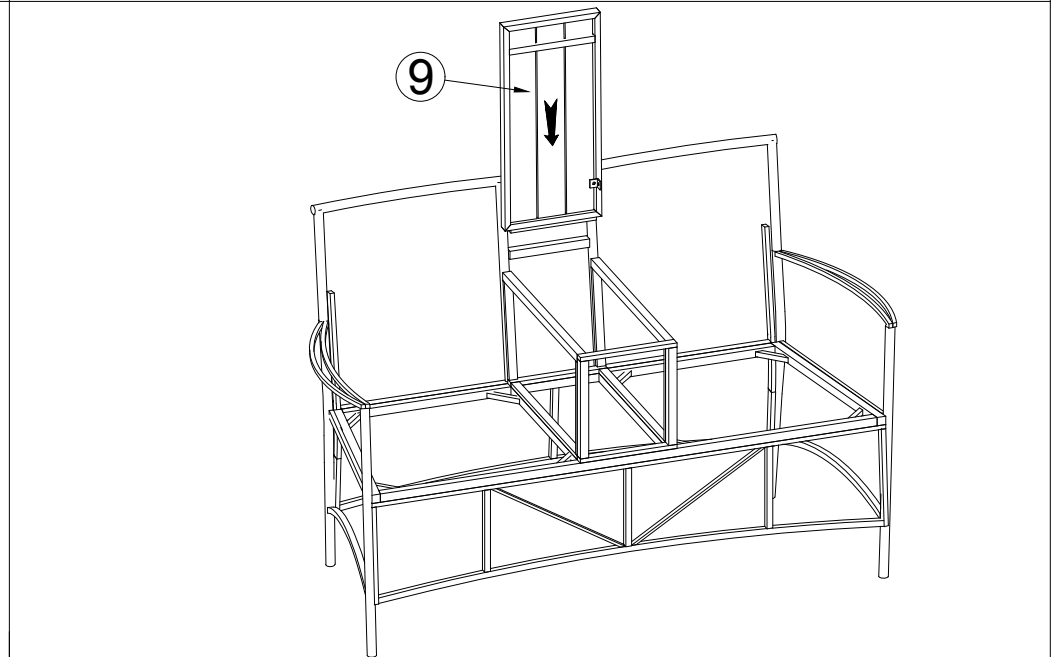
STEP 5: Connect The Part from STEP 4, tighten Bolt (D),(C), Flat Washer (F) with Allen Key (G).



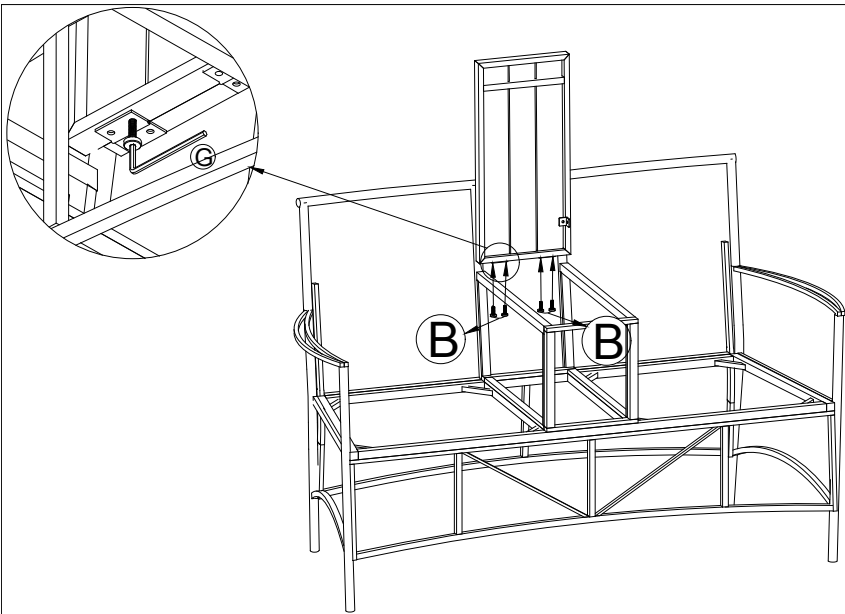
STEP 6: Connect The Part from STEP 5 and Box Right Side Frame (7)& Box Left Side Frame (8), tighten Bolt (C), Flat Washer (F) with Allen Key (G).



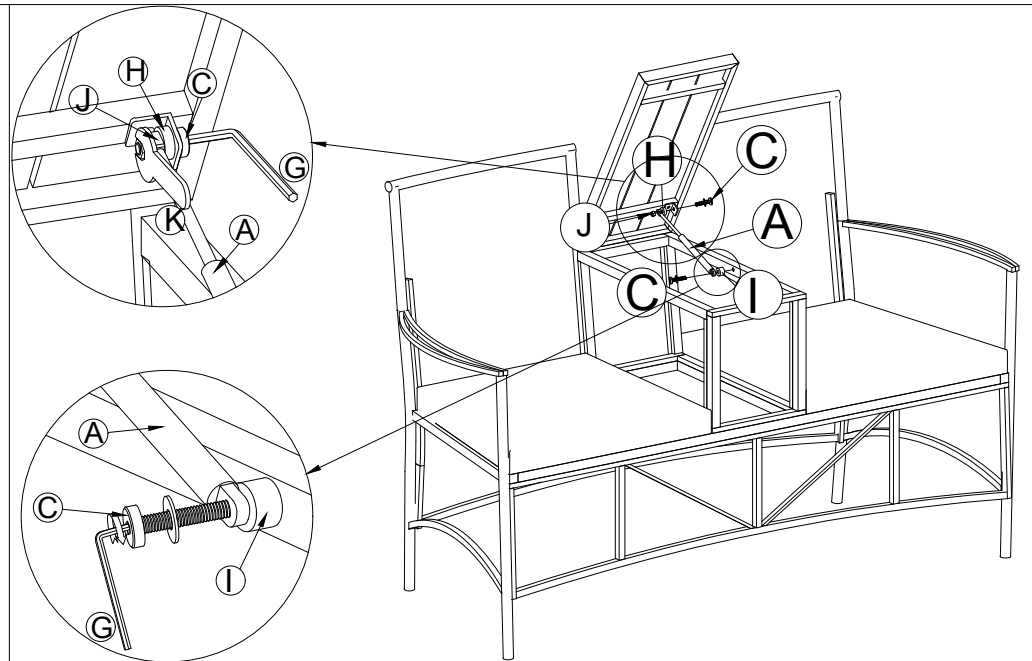
STEP 7: Connect The Part from STEP 6 and Front Box Frame (6), tighten Bolt (C),(E), Flat Washer (F) with Allen key (G).



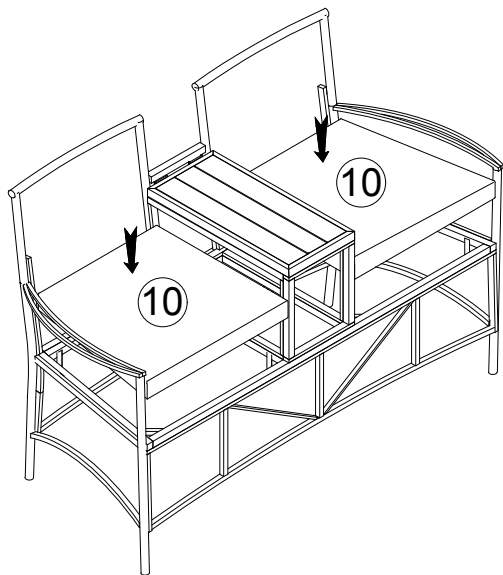
STEP 8: Connect The Part from STEP 7 and Box Top Frame (9).



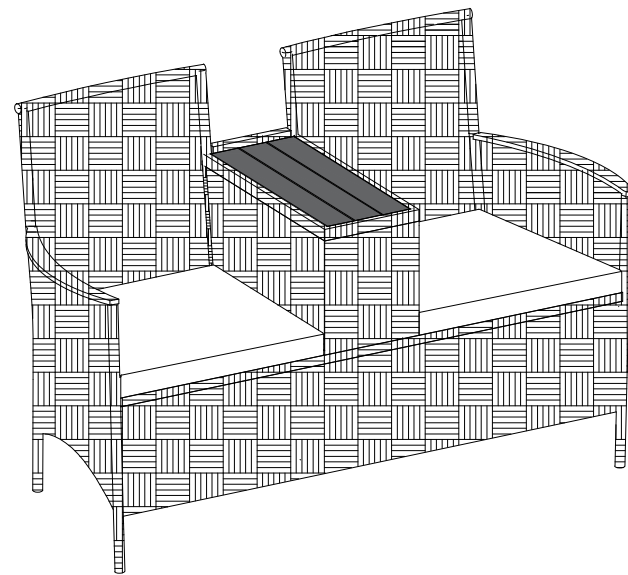
STEP 9: Connect The Part from STEP 8, tighten Bolt (B), Flat Washer (F), with Allen Key (G).



STEP 10: Connect The Part from STEP 9 and Gaslift (A), tighten Bolt (C), Flat Washer (F), Washer (H), (I) and Nut (J) with Allen Key (G), Key (K).



STEP 11: Put Seat Cushion (12) on Chair.



Finish.