

CARE AND MAINTENANCE

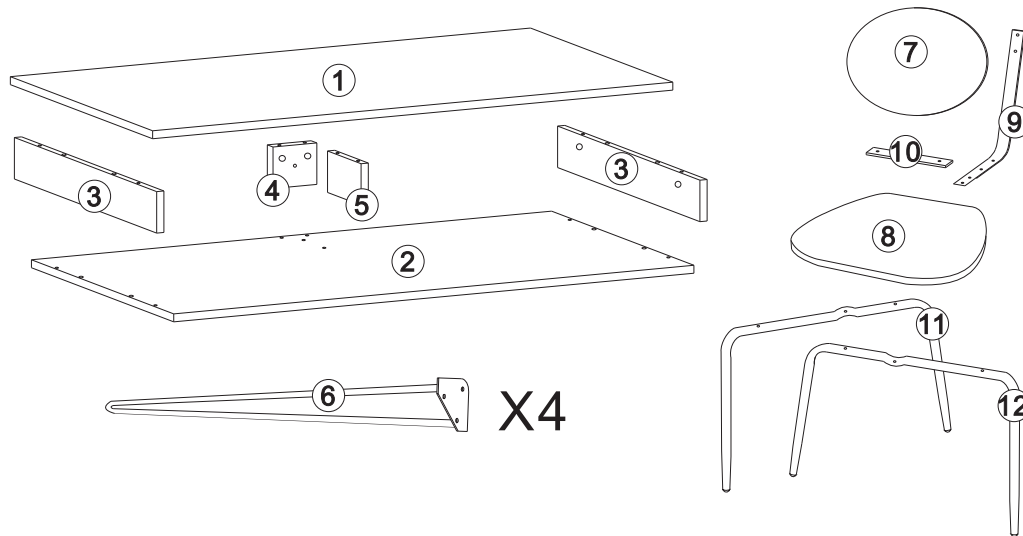
Always use felt pads under all articles to prevent discoloration or softening of the lacquer. Plastic and rubber bases on items can discolor wood. Wipe up spills immediately and avoid common hazards such as hot dishes, harsh solvents and abrasives. Cleaning should be done with a soft lint free cotton cloth dampened with water or furniture polish. On highly used surfaces we recommend applying a quality paste wax which should be used on a regular basis to provide additional protection from scratches and spills. How often you apply the wax depends on how much wear the furniture receives.

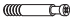




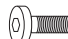
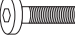
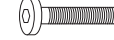




NOTICE

- * Please make sure that you have all parts indicated before you begin assembly of this item
- * This item should be assembled on a soft surface to prevent scratching the finish during assembly
- * This item may require periodic tightening

Part List and Hardware List

Product Dimensions: (T)47.2"W×21.65"D×29.92"H
(C)20.27"W×15.75"D×34.84"H



Ax8  	Bx8  	Cx8  	Dx4  	Ex5  3. 5x40mm 	Fx13  6x12mm
Gx4  6x25mm 	Hx4  6x32mm 	Ix2  6x50mm 	Jx1  M5 	Kx1  	Lx8 

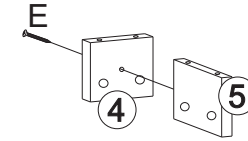
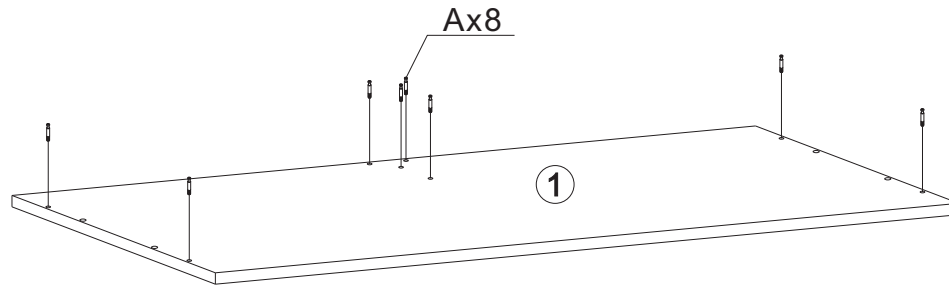
PREPARATION

Before beginning assembly of product, make sure all parts are present. Compare parts with package contents list and hardware contents list.

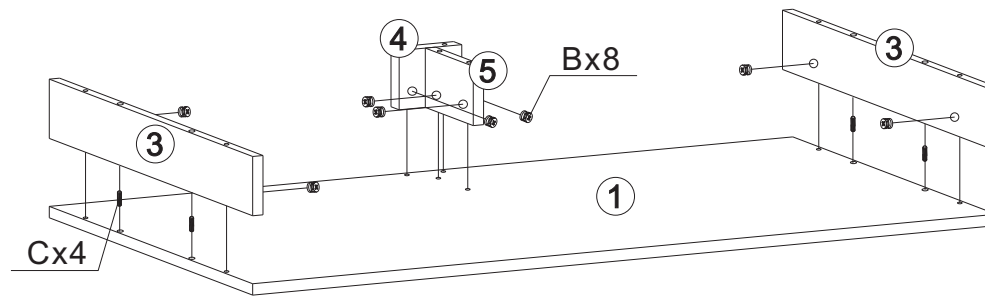
If any part is missing or damaged, do not attempt to assemble the product.

Estimated Assembly Time: 40 minutes.

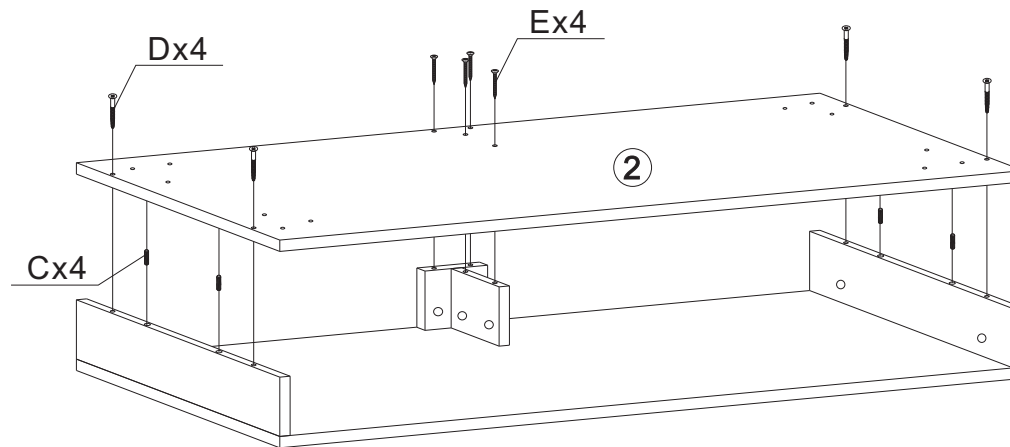
1



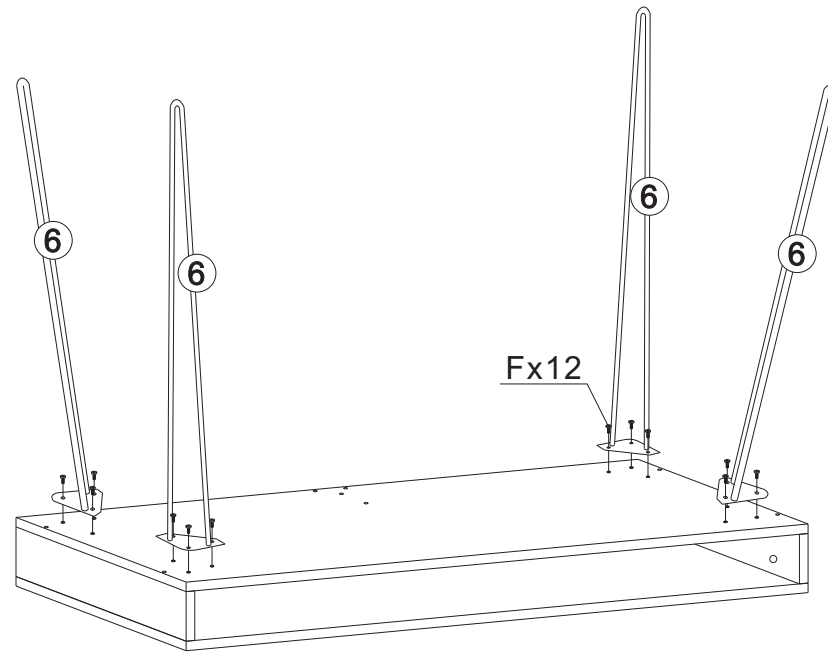
2



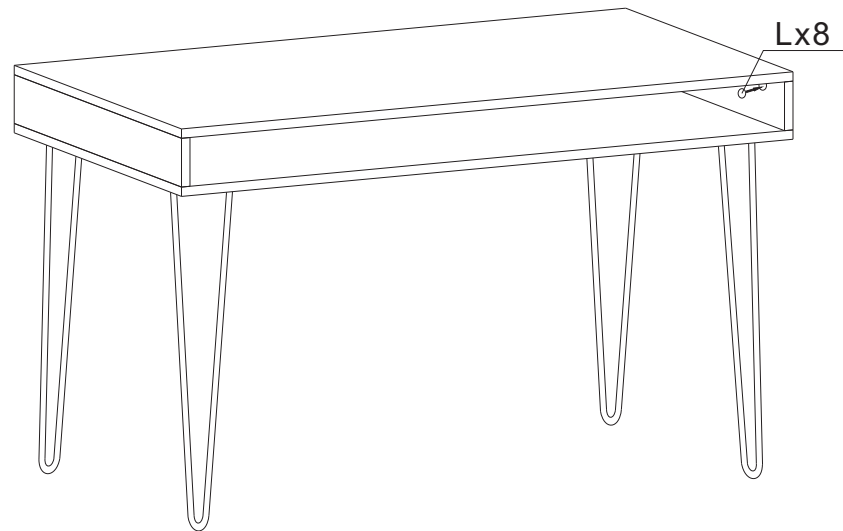
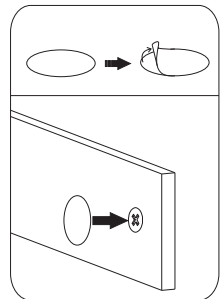
3



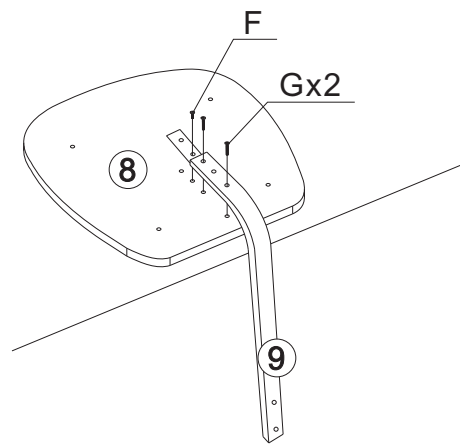
4



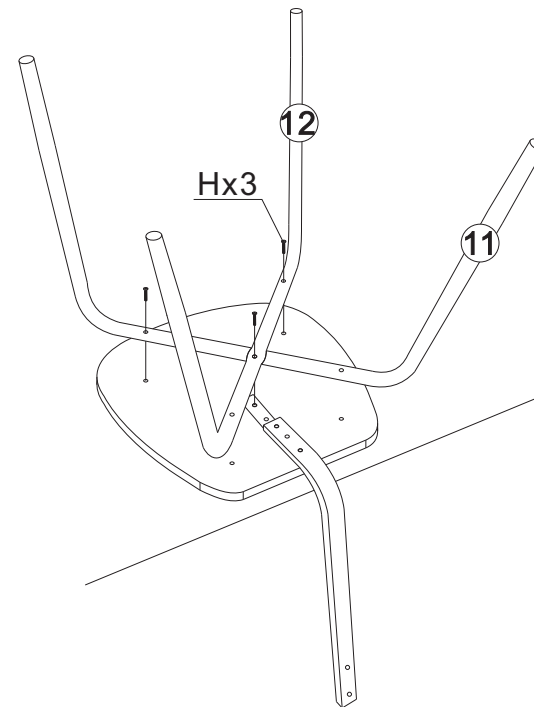
5



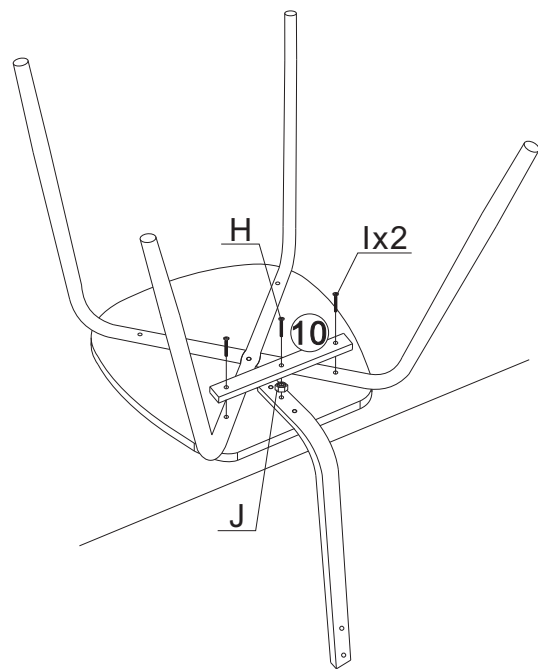
6



7



8



9

