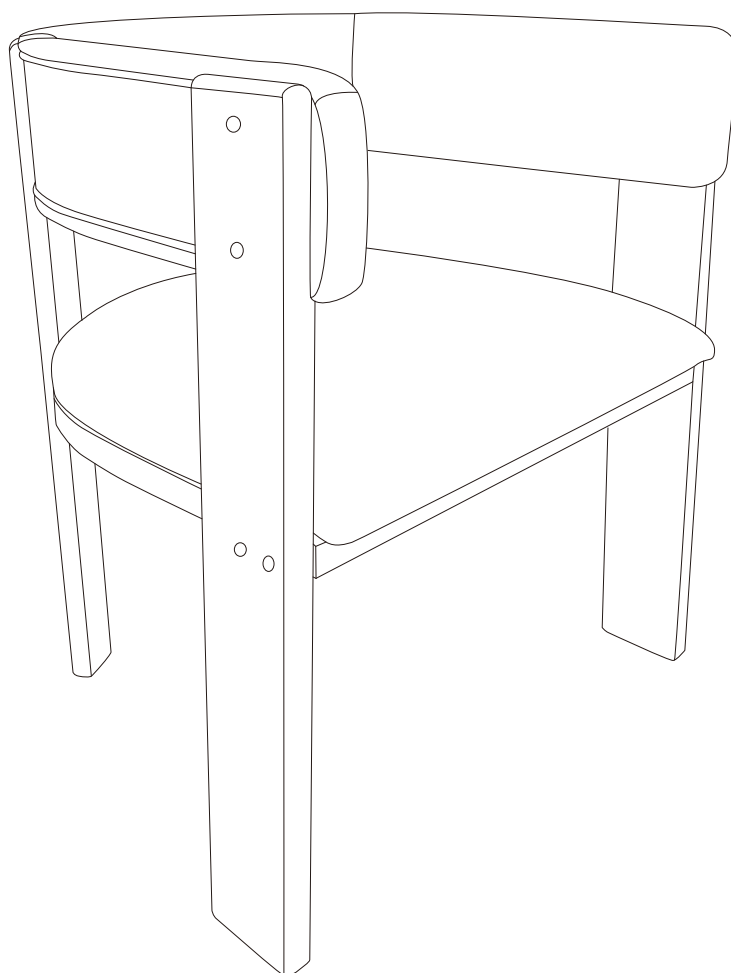


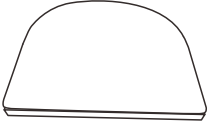
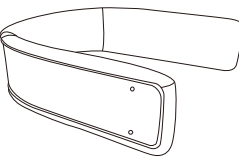
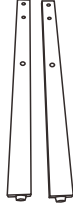


Dining chairs





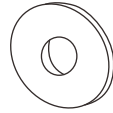


Parts and Hardware List:

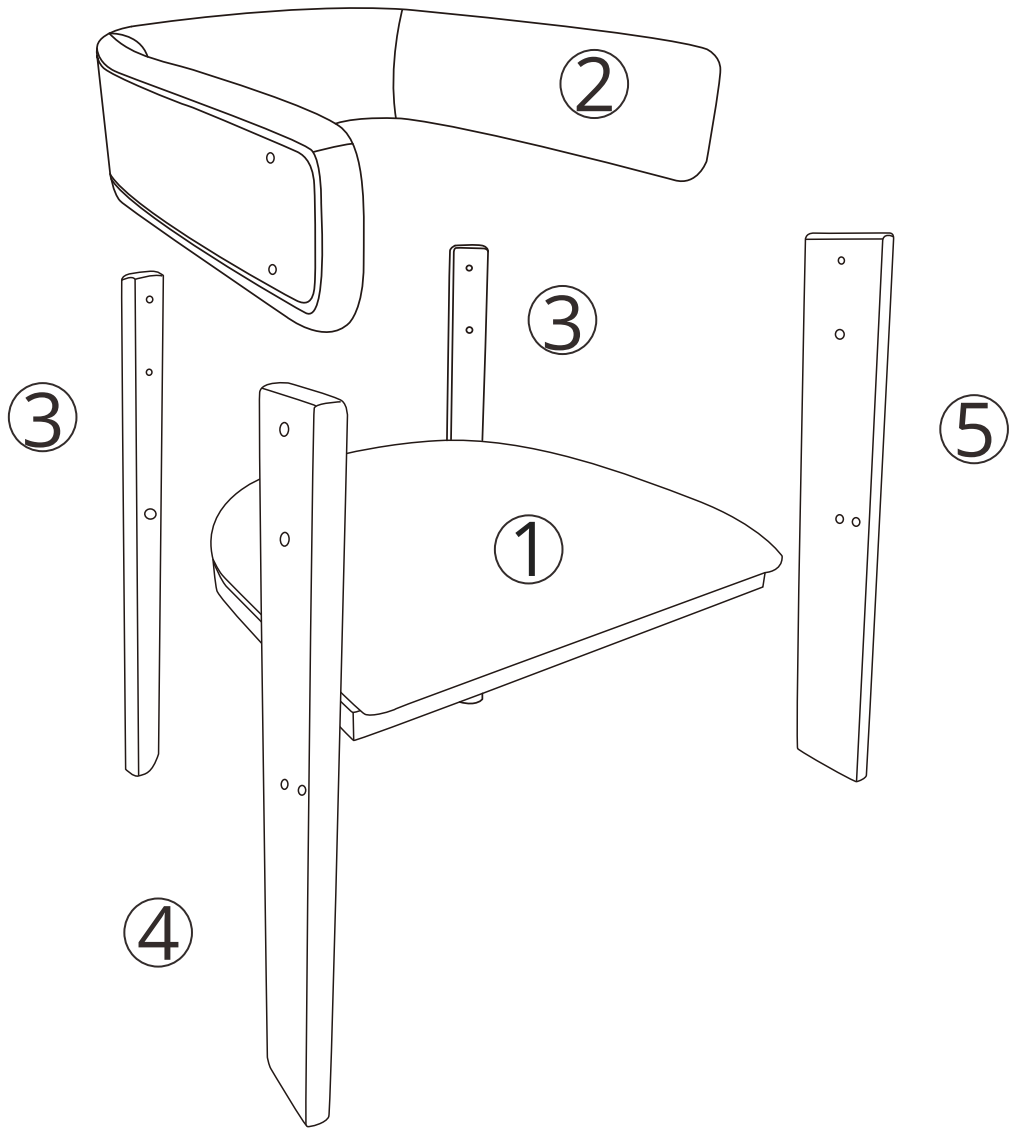
- Make sure all parts are in the package.
- "+" in below list indicates that additional pieces are replacement parts.
- Do not fully tighten anything until all screws, nuts, washers and bolts are in place.

Parts List

<p>① x1pc Seat</p> 	<p>② x1pc Wooden Backrest</p> 	<p>③ x2pcs Back Legs</p> 	<p>④ x1pc Front Legs</p> 
<p>⑤ x1pc Front Legs</p> 			

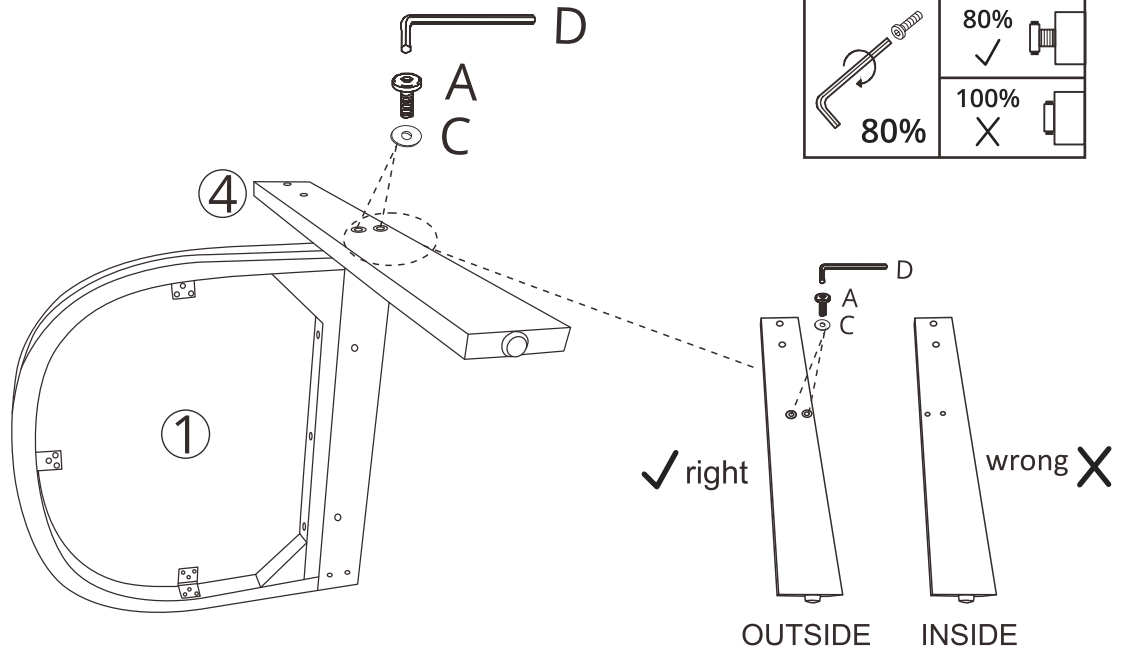
Hardware List

<p>Ⓐ x 4pcs</p>  <p>M6X65mm</p>	<p>Ⓑ x10+1pc</p>  <p>M6X40mm</p>	<p>Ⓒ x14+1pc</p>  <p>M6</p>	<p>Ⓓ x 1pc</p> 
<p>Ⓔ x14+1pc</p> 			

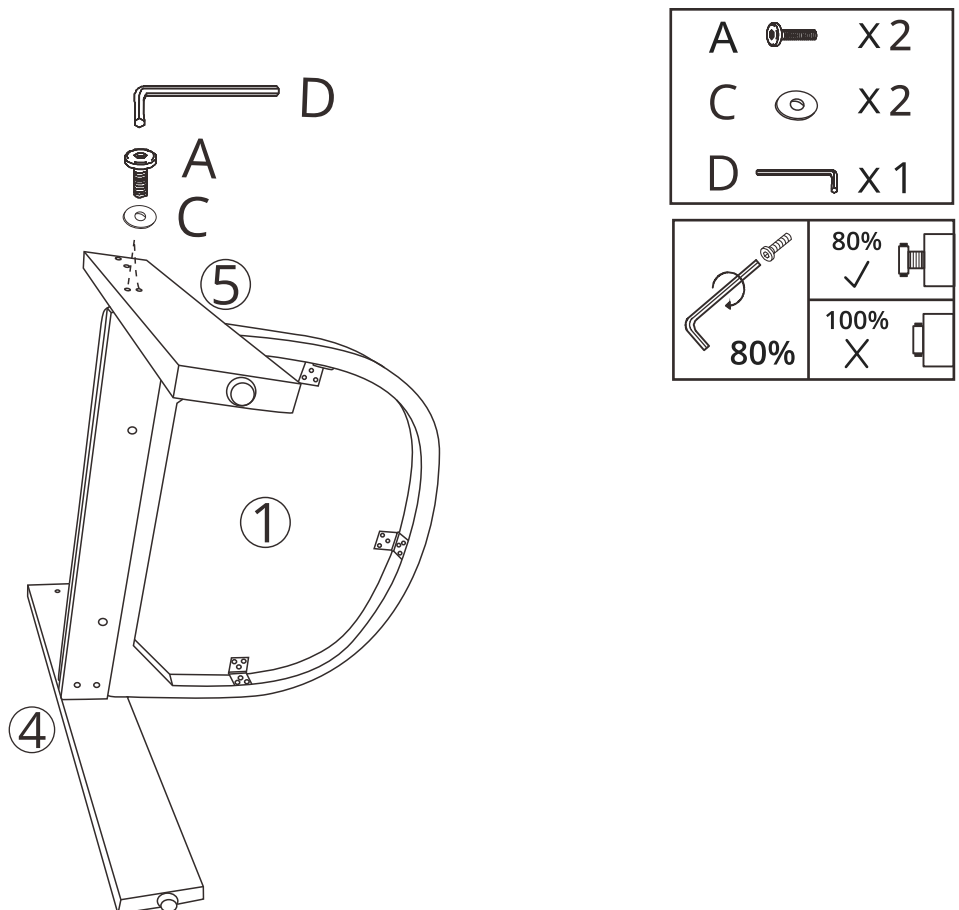


1 NOTE:

Please tighten the screws to around 80%.
Please pay attention to the front and back of the hole position.

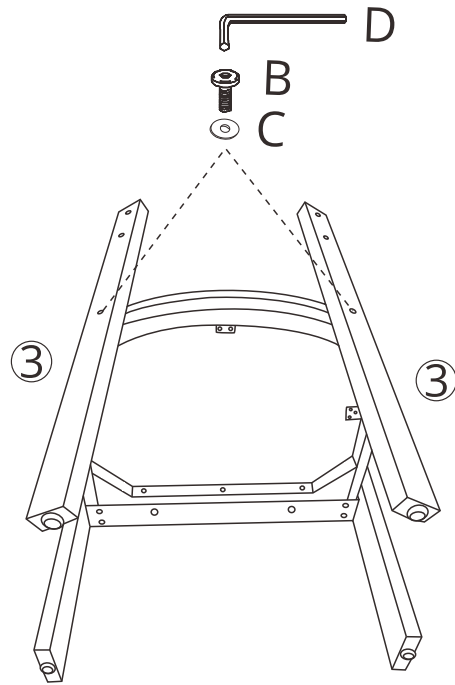


2 Please tighten the screws to around 80%. .



3 NOTE:

Please tighten the screws to around 80%.

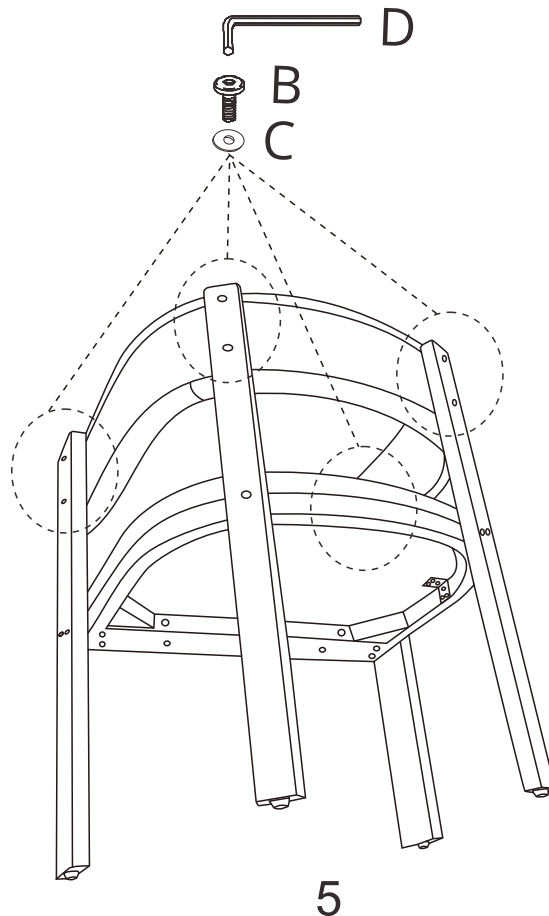


B		x 2
C		x 2
D		x 1

	80% ✓	
	100% X	

4 NOTE:

Please tighten the screws to about 80%.
Then tighten all the screws to 100%.

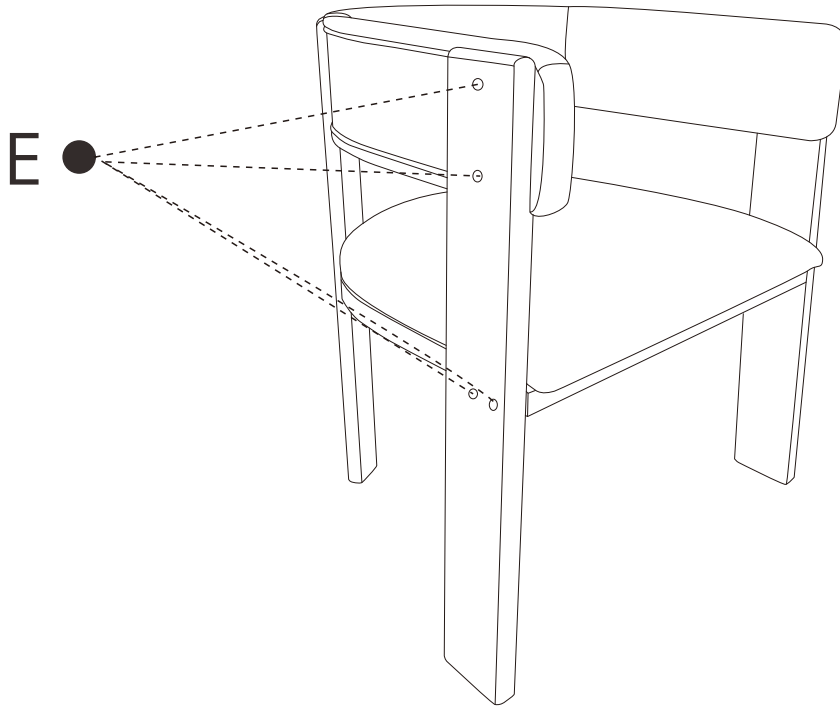
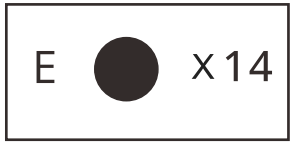


B		x 8
C		x 8
D		x 1

	80% ✓	
	100% ✓	

5 NOTE:

Cover exposed holes with stickers



FINISHED

Adjust the leveling feet for balance.

