

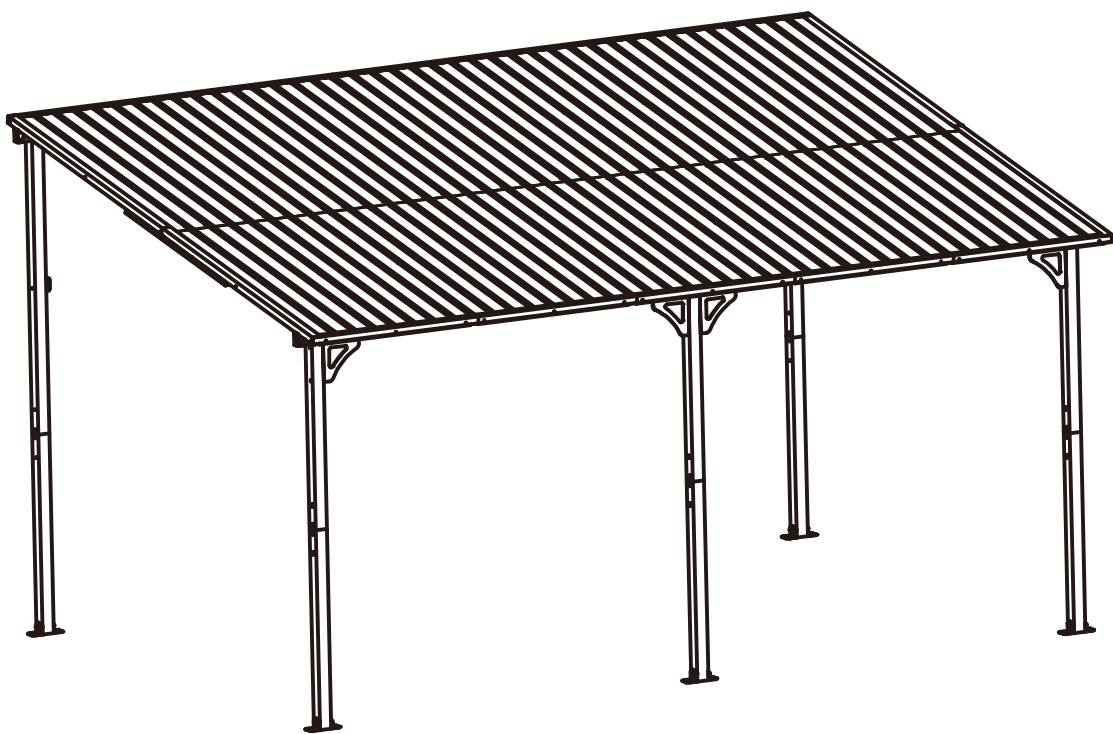
ASSEMBLY INSTRUCTIONS SS16418BK

10' x 14' Attached Pergola

Thank you for choosing our product.

Please read the contents on the second page carefully.

- Before starting the installation, please thoroughly check the listed accessories below and read this manual attentively.
- Then proceed with the assembly step by step. If you have any questions, please don't hesitate to contact us.



Attention

1. Thank you for trusting us.

You are entitled to a one-year warranty and lifelong customer service, and we have marked detailed notes on the second page.

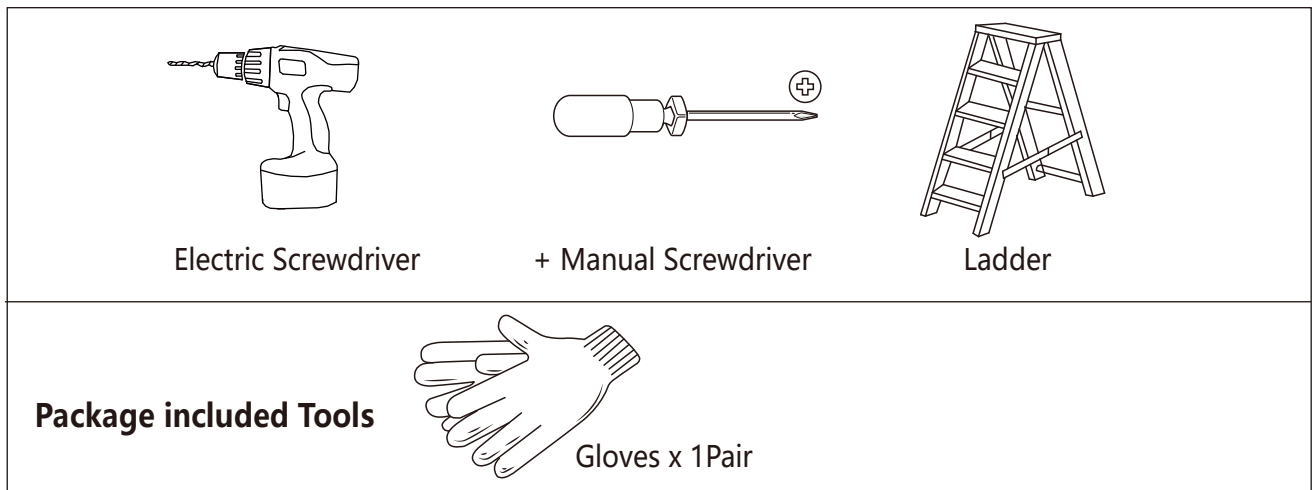
2. Our gazebo ships in just 2 boxes. Please check the manual to ensure you have received all the parts.

*If anything is missing, feel free to contact us through your order page. We will respond to any messages within 24 hours and resolve any issues for you.

3. We encourage you to reach out to us at the earliest if you encounter any issues.

4. We kindly request your attention to installation safety and child safety.

Please prepare below tools before installation. (Not Included)



ATTENTION

Please note, if you find any damage to the package upon arrival, resulting in loss of internal components or visible damage, please contact us. **We will take responsibility for any damages caused during transportation.**

Please ensure that you begin installation only after receiving **both** packages. If not received, please contact us to inquire about the corresponding package status, and **we will respond within 24 hours.**

Handle each part of the gazebo with care, as many components have sharp edges.

DO NOT attempt to assemble the gazebo before verifying that all parts are present as listed. Partially assembled structures can be severely damaged by light winds.

DO NOT attempt to assemble the gazebo on windy days, as this can make construction difficult and unsafe. Monitor the weather closely.

During construction and until the gazebo is fully assembled, **keep children and pets away from the worksite to avoid distractions and potential accidents.**

Avoid placing weight concentrated on the roof of the gazebo.

ASSEMBLY

The best location is a flat area.

Ensure there is adequate space around the gazebo to access the roof with a ladder.

TEAMWORK : Two or more people are required to assemble the structure.

CARE & MAINTENANCE










Combustibles and corrosive materials must be stored in sealed containers designed for chemical and/or combustible storage

Rust Protection Precautions

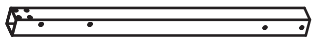
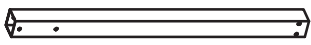




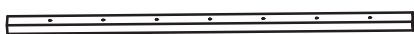
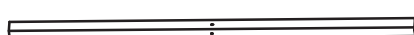



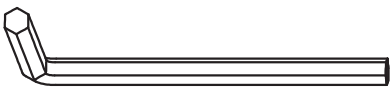


Avoid scratching or scraping the coating surface inside and out.



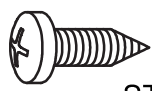










PLEASE KEEP THIS INSTRUCTION MANUAL FOR FUTURE REFERENCE.

Parts List-A

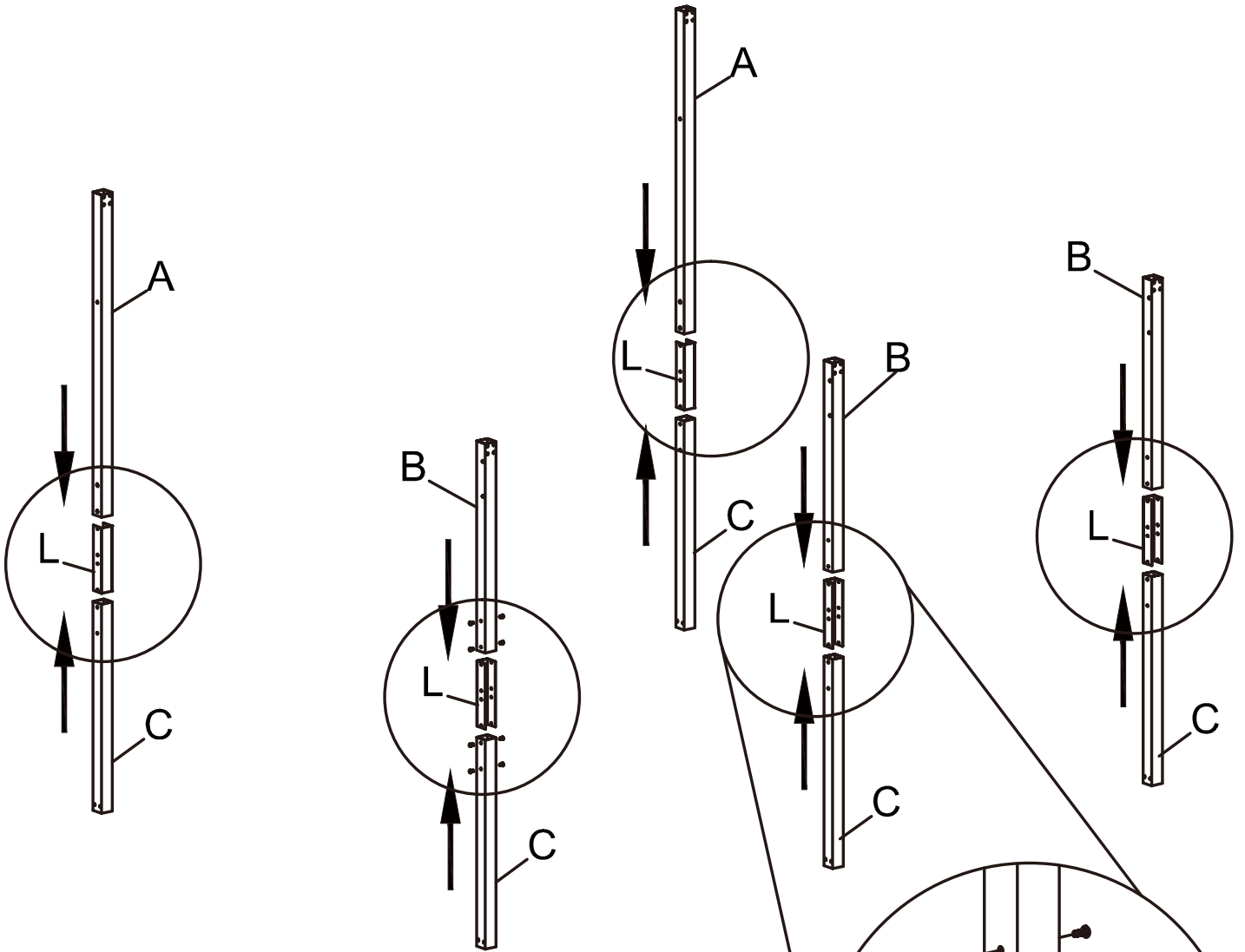
PART	NO.	QTY.
	A	2
	D	4
	E	6
	E1	6
	F	4
	O	2
	P	2
	K	10
	K1	10

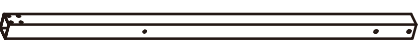
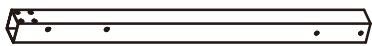
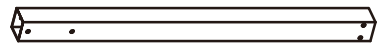


Parts List-B

PART	NO.	QTY.
	B	3
	C	5
	D2	1
	D3	1
	G	10
	H	6
	I	5
	I1	20
	L	5
	S	6
	N1	4
	Z	1
	Z5	6
 M6*70	W2	10

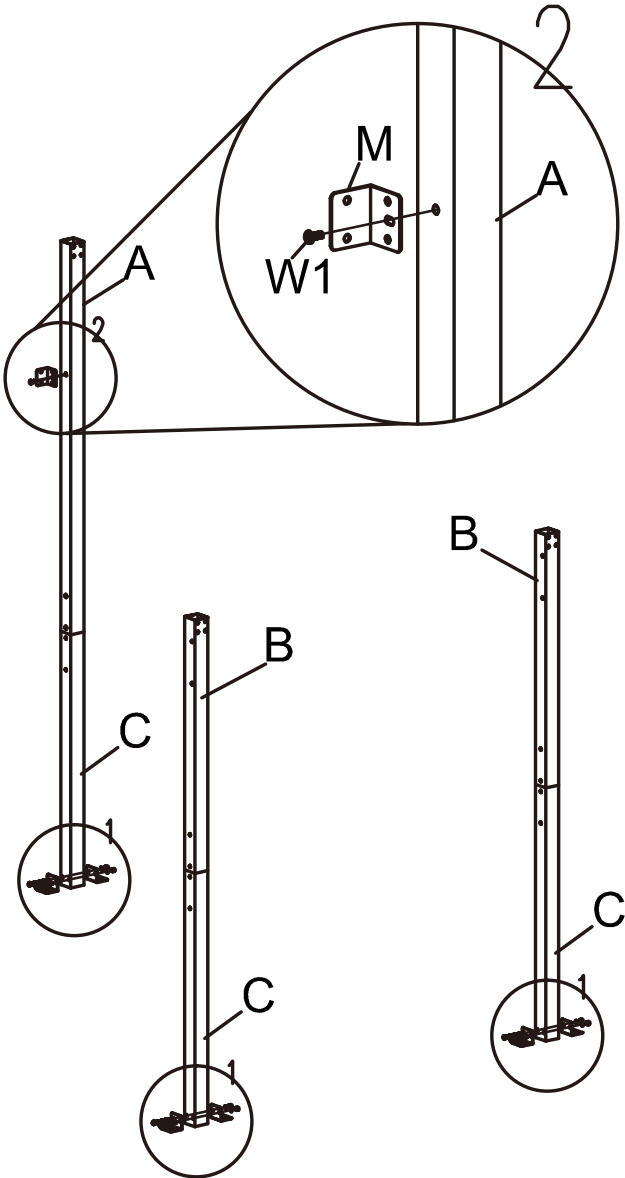
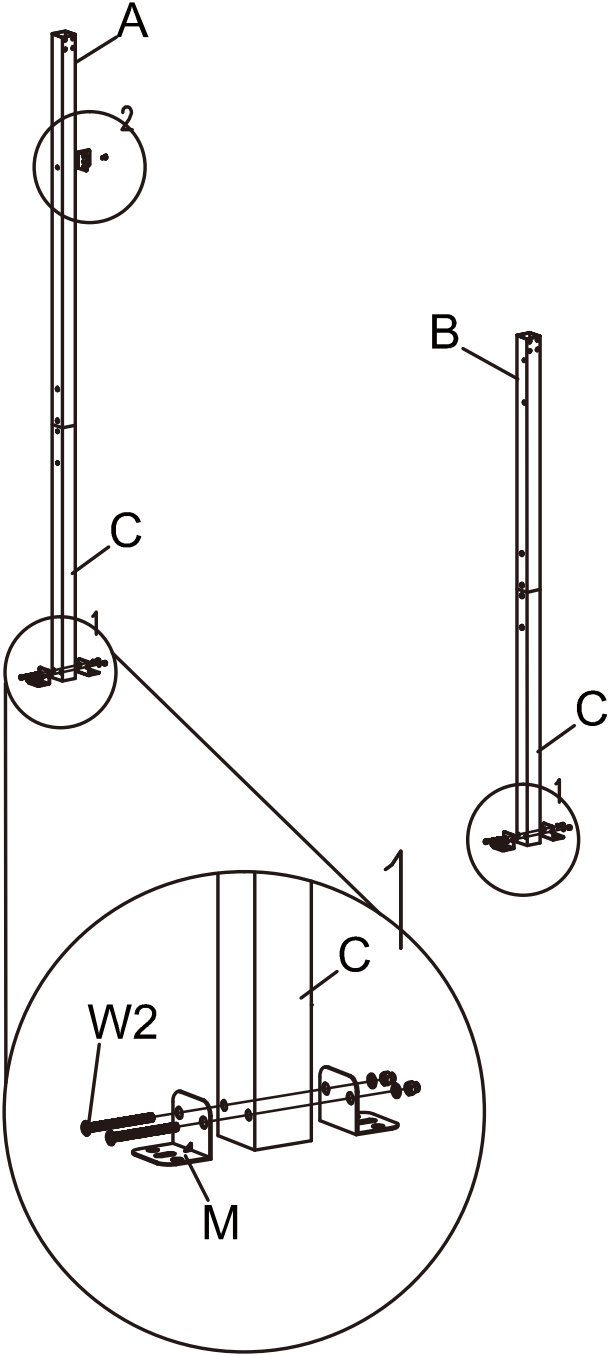
PART	NO.	QTY.
 M6*15	W1	190
 M6*35	W4	12
 ST4.2*10	X	85
 M6*15	Y	20
 ST4.2*13	X1	90
	U	4
	Z2	20
	Z3	10
	V	12
	M	12
	X2	85
	Q	12
	Z4	1

STEP1



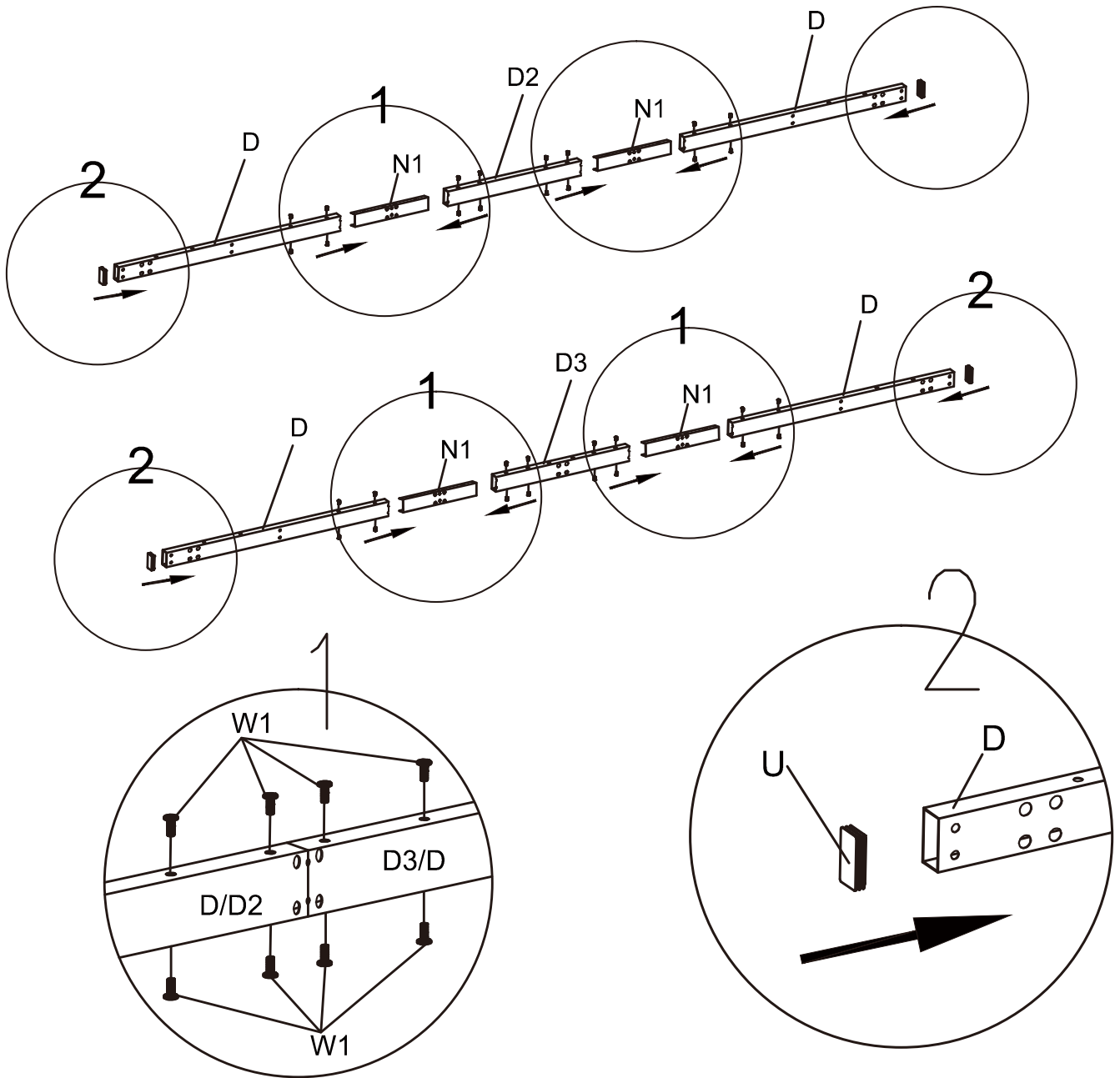
A		X2
B		X3
C		X5
L		X5
W1		X40

STEP2



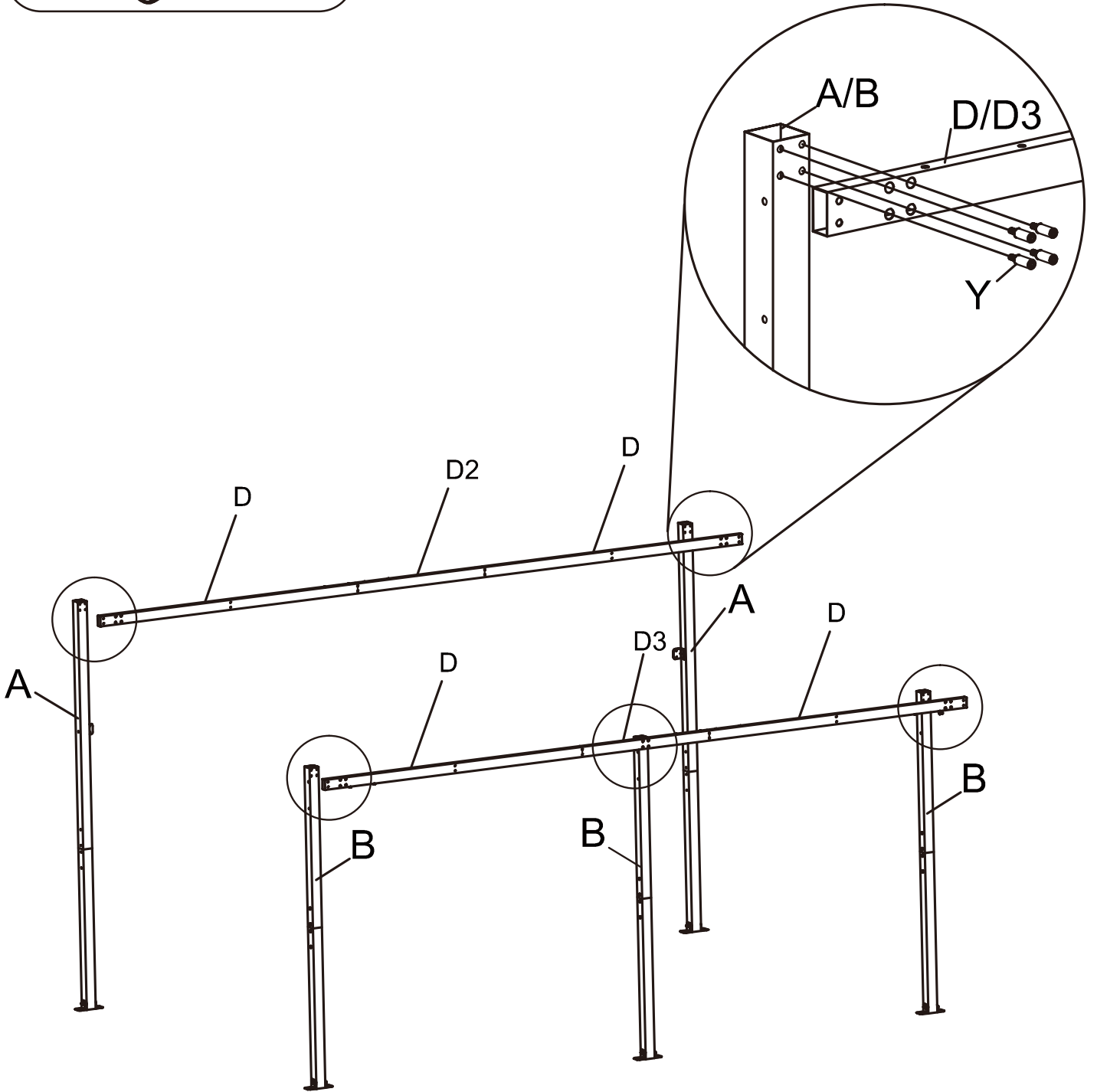
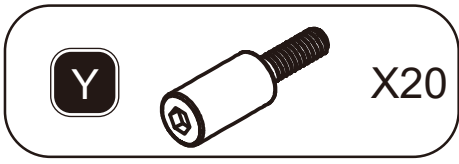
M		X12
W2		X10
W1		X2

STEP3







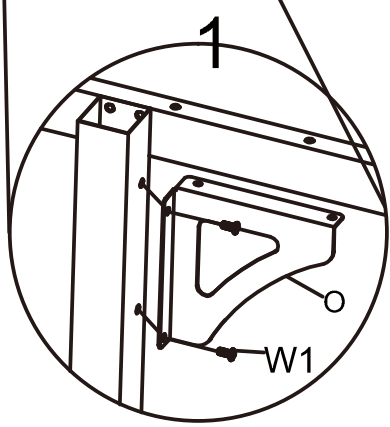
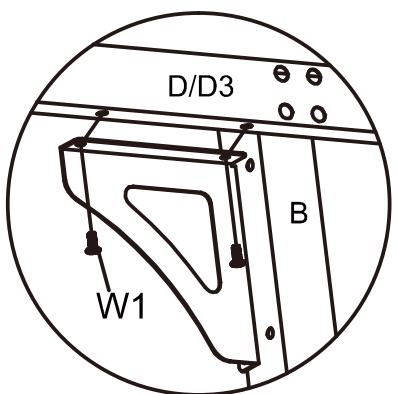
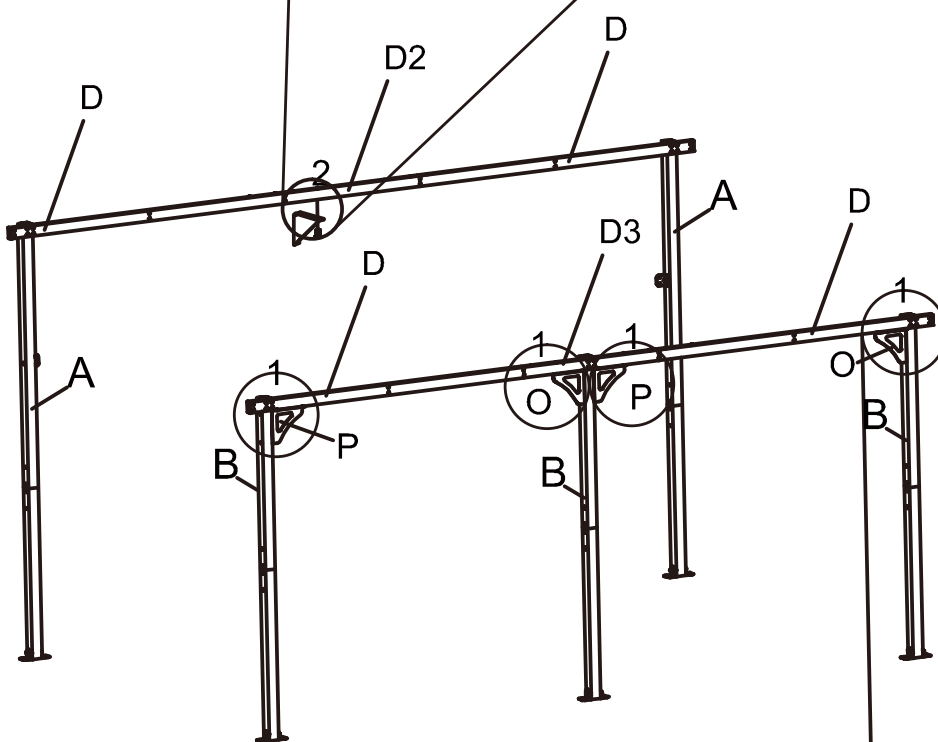
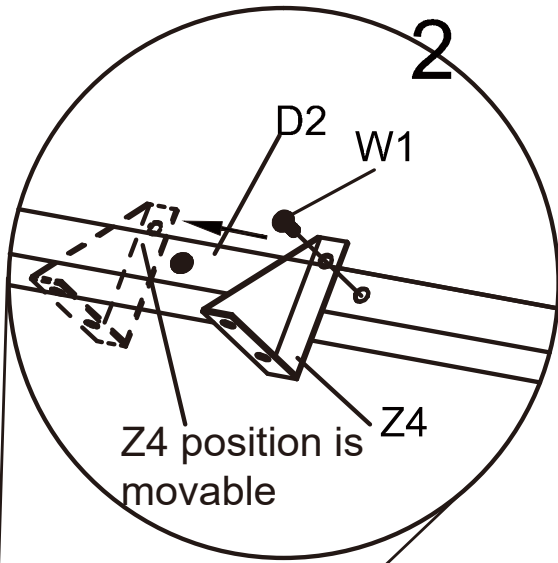
D		X4	D2		X1
N1		X4	D3		X1
U		X4	W1		X32

STEP4

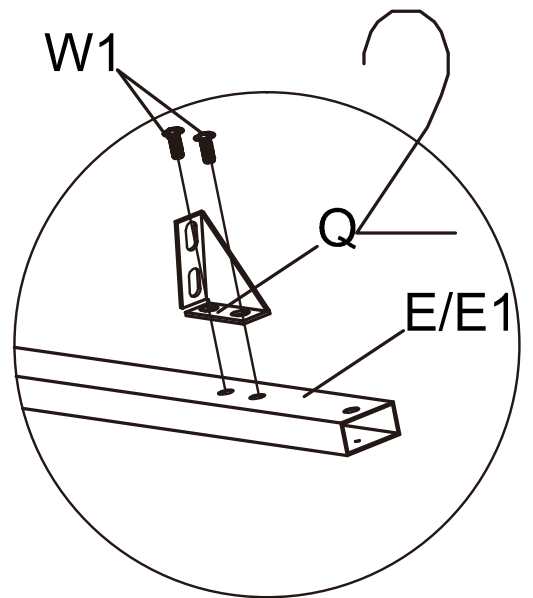
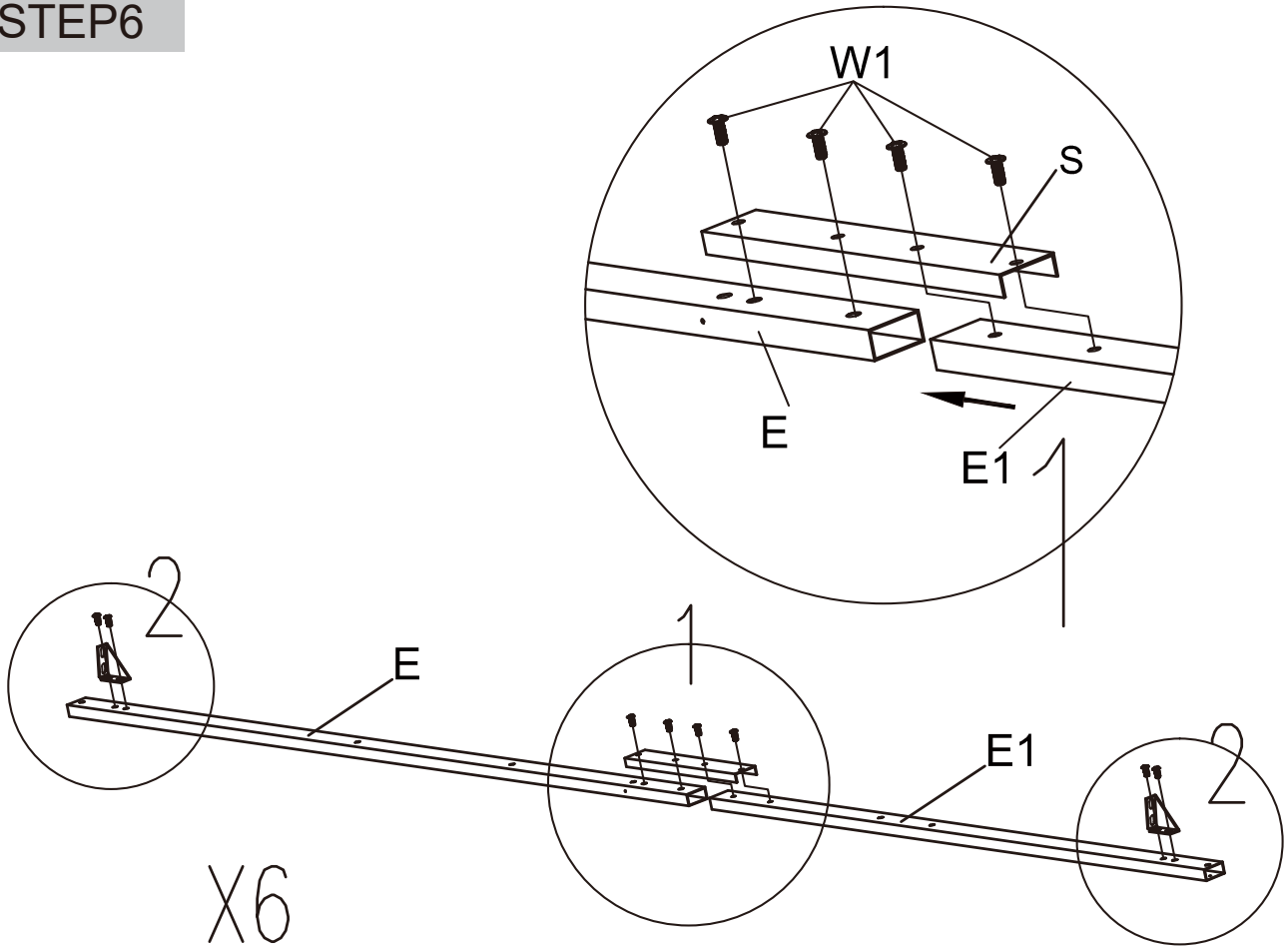







STEP5

O		X2
P		X2
Z4		X1
W1		X14



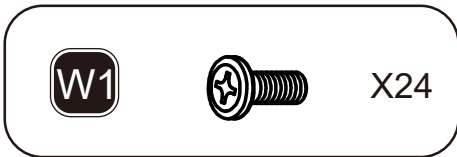
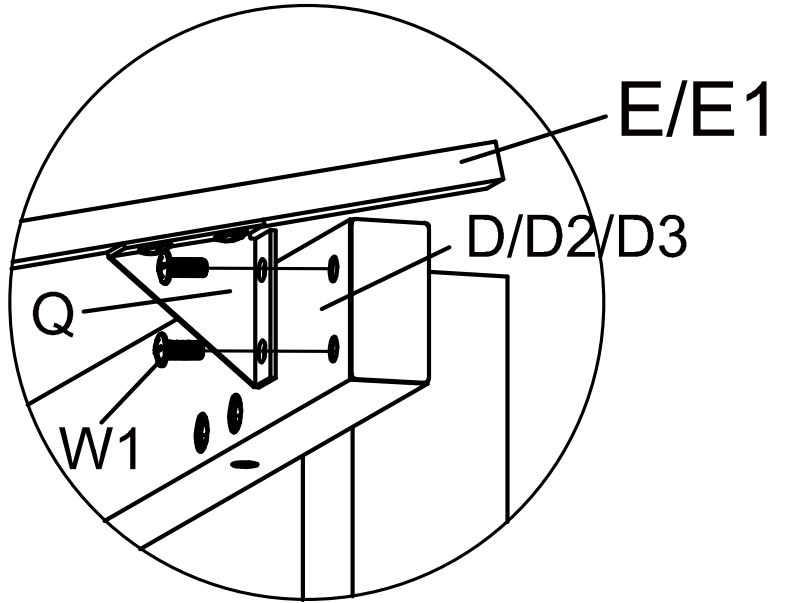
STEP 6



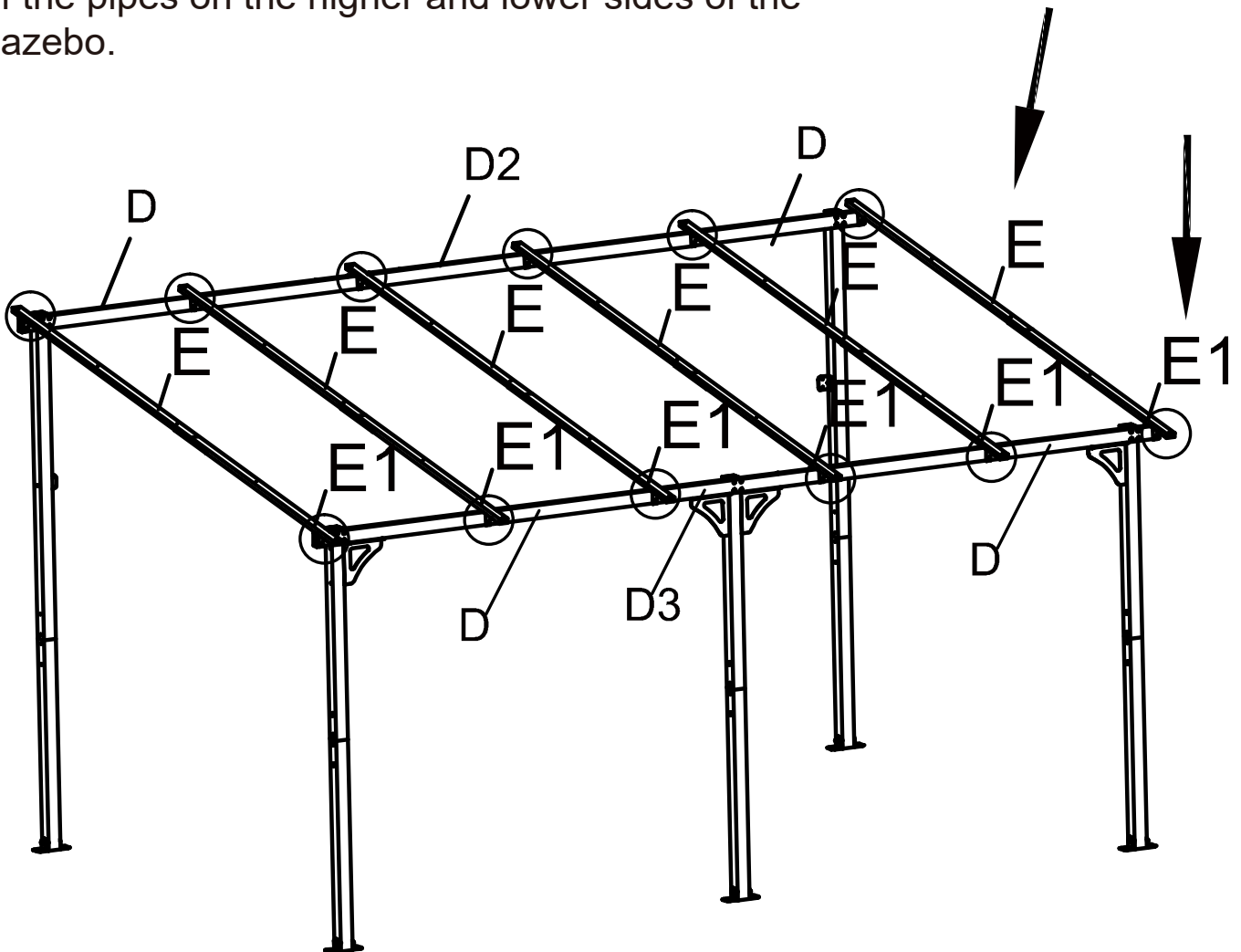
E		X6
E1		X6
S		X6
Q		X12
W1		X48

STEP 7

TIPS: Part Q is used by slotted holes that please use the same sides of both holes to make top side of Q higher than Part D. Slotted holes will support the cover board more strongly.

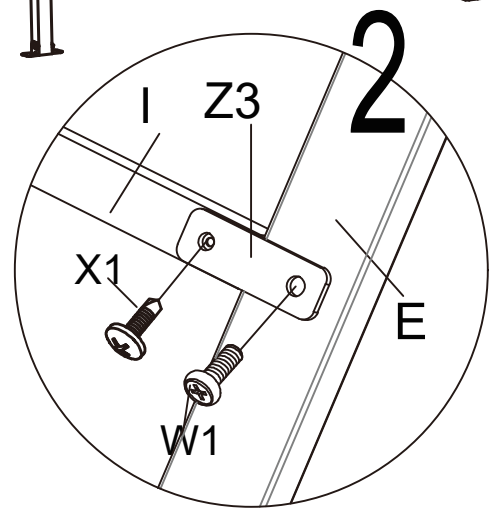
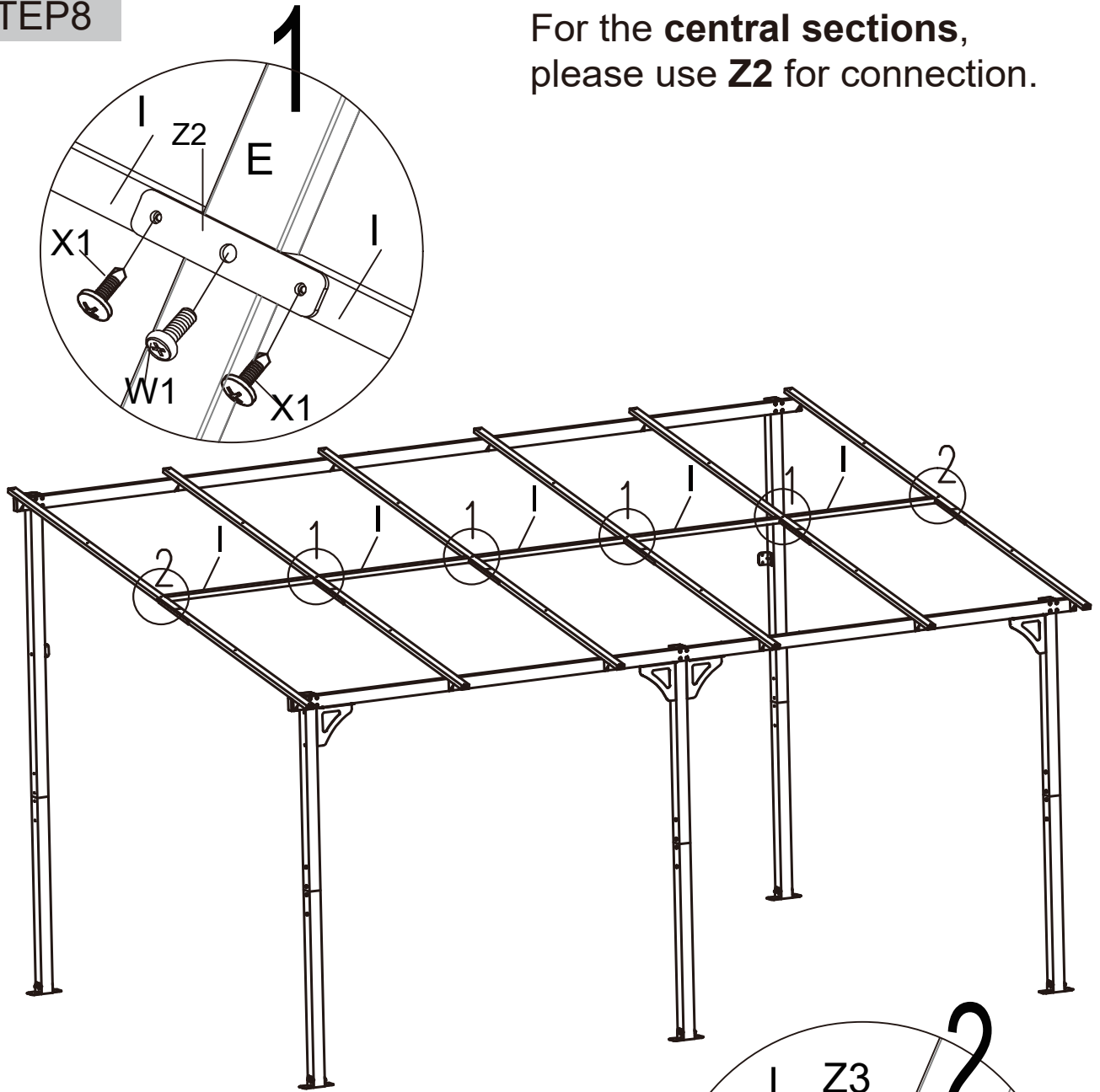


Please pay attention to the placement shown in the diagram to ensure the correct installation of the pipes on the higher and lower sides of the gazebo.



STEP8




For the **central sections**, please use **Z2** for connection.

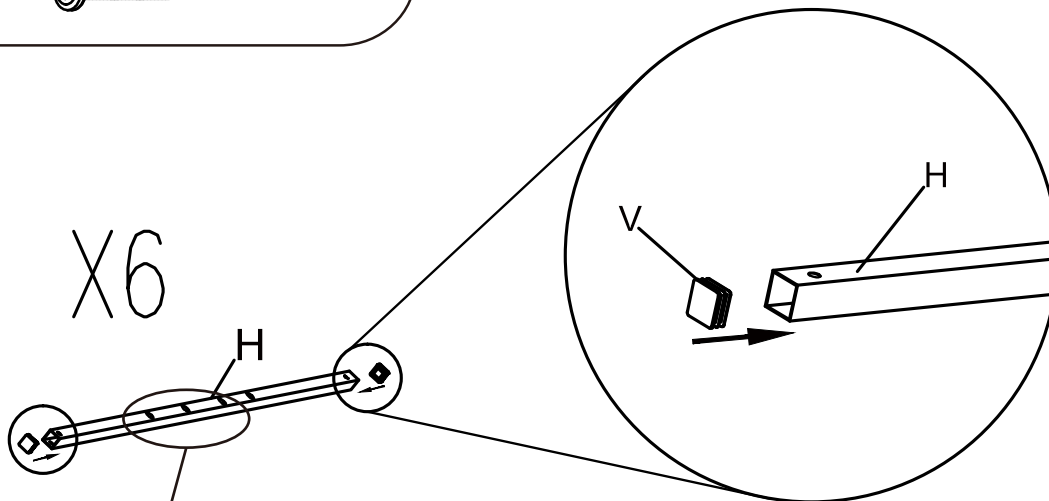


I		X5
W1		X6
X1		X10
Z2		X4
Z3		X2

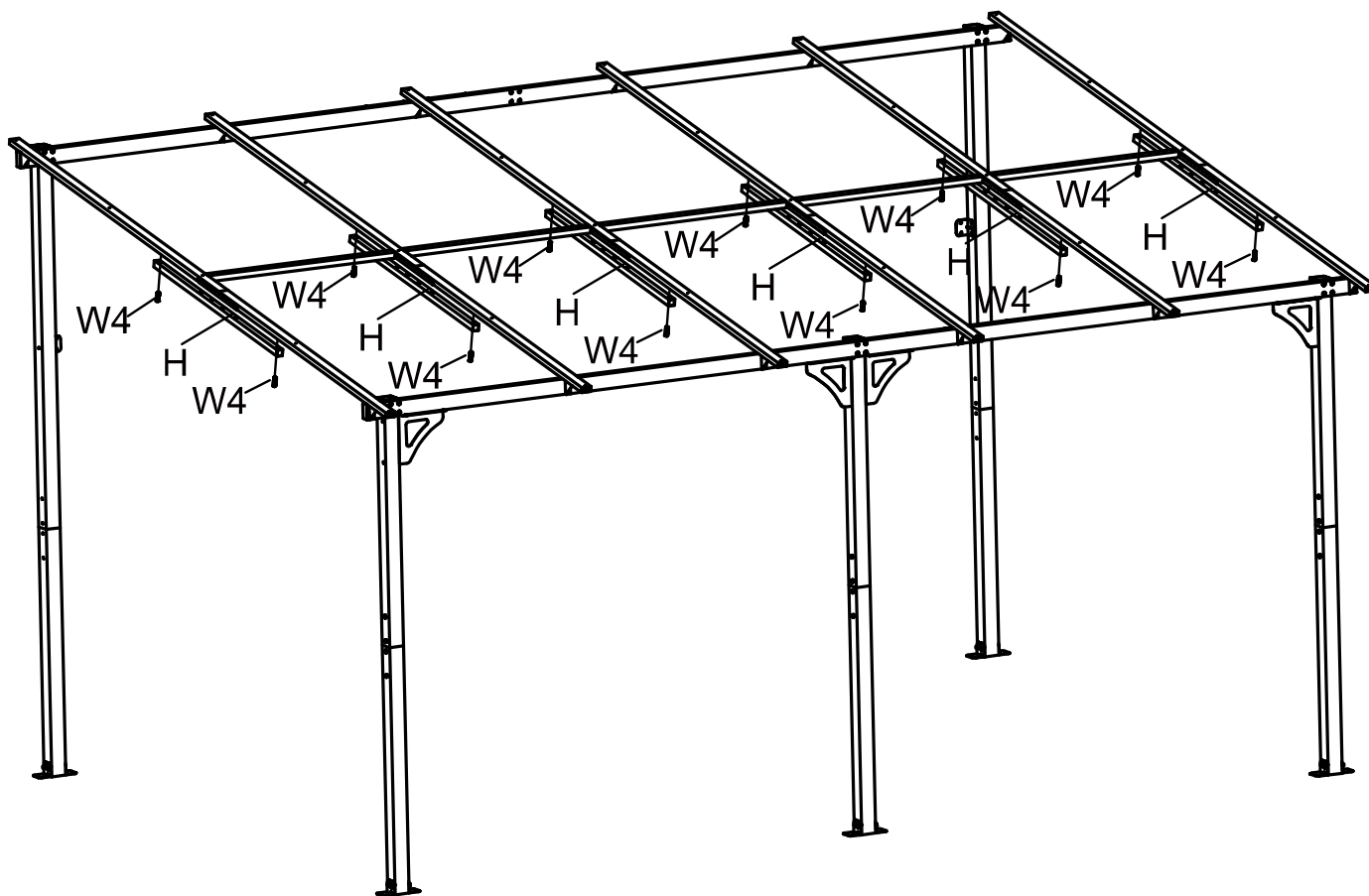
For the **edge sections**, please use **Z3** for installation.

STEP 9

H		X6
V		X12
W4		X12

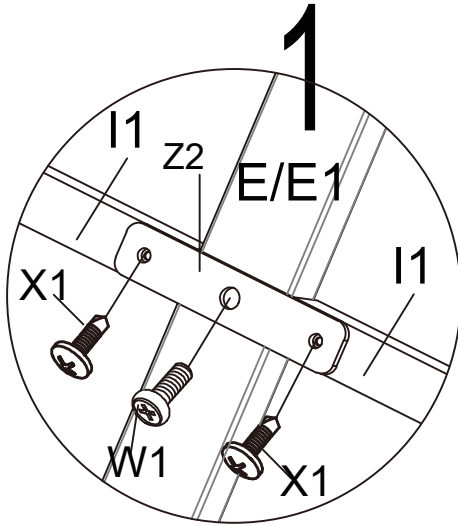


These 3 holes do not need to align with the holes on E/E1



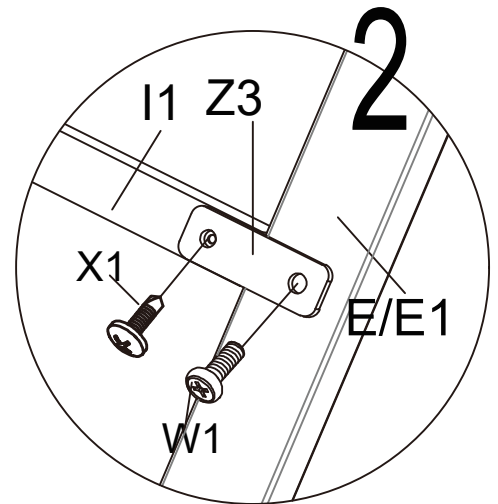
STEP10

For the **central sections**, please use **Z2** for connection.



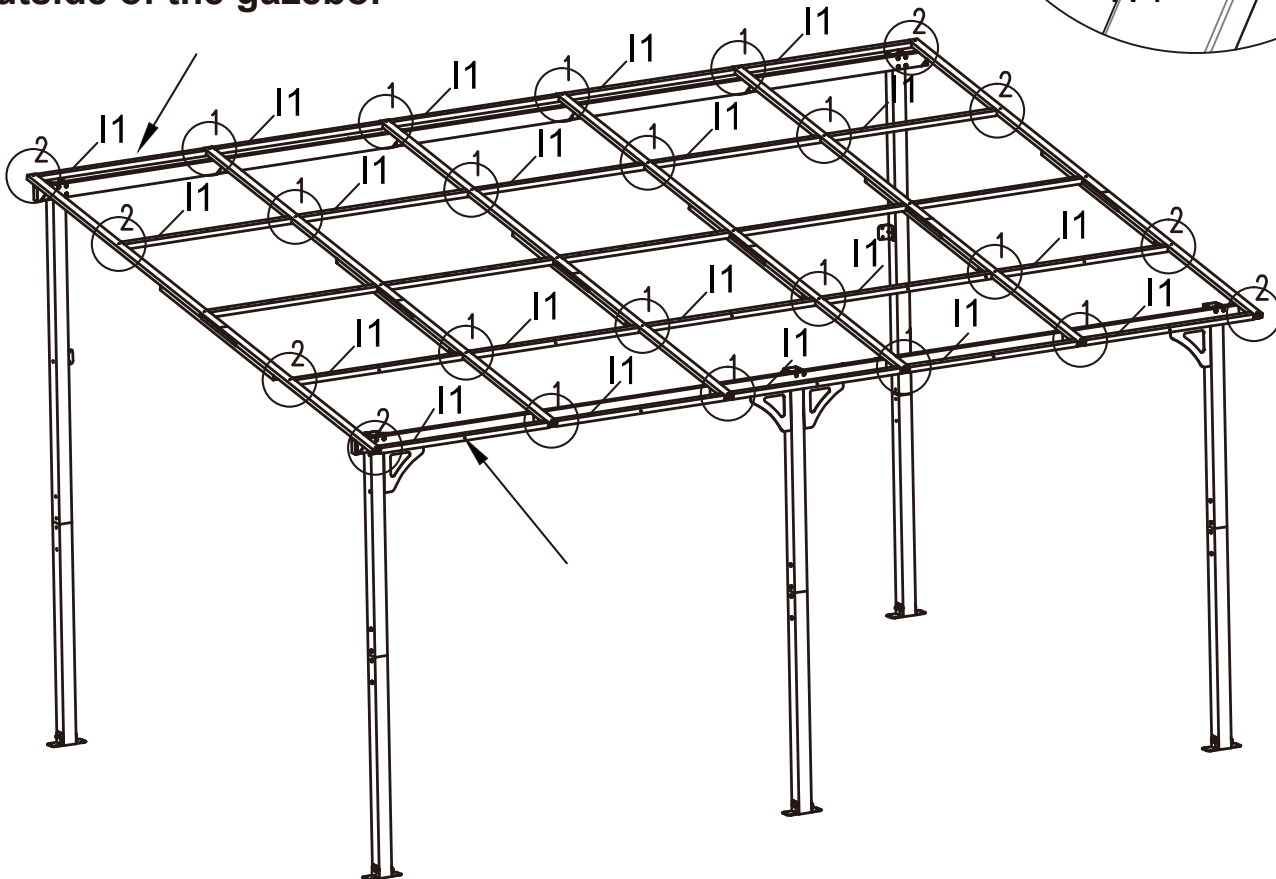
I1		X20		
W1		X24	X1	
Z2		X16	Z3	
				X8

For the **edge sections**, please use **Z3** for installation.

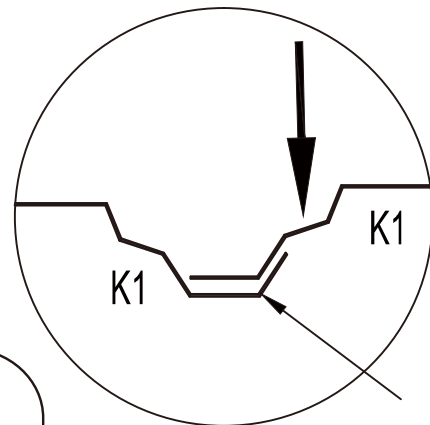
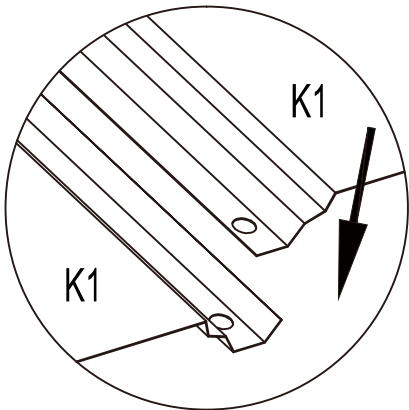
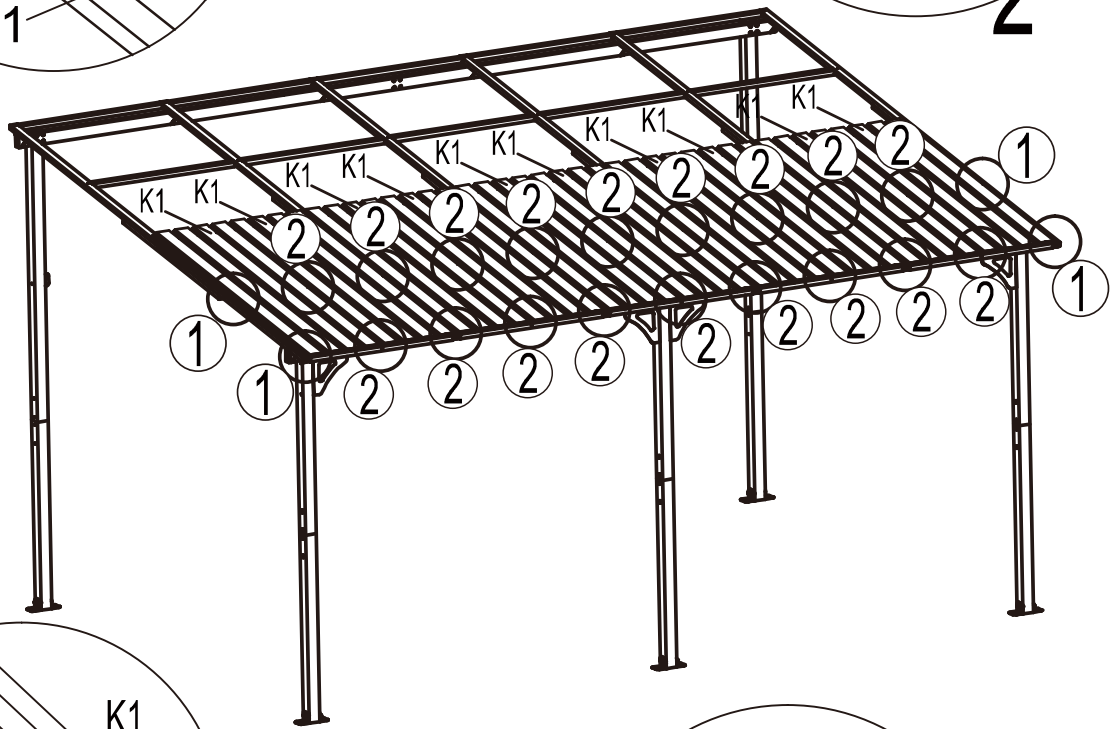
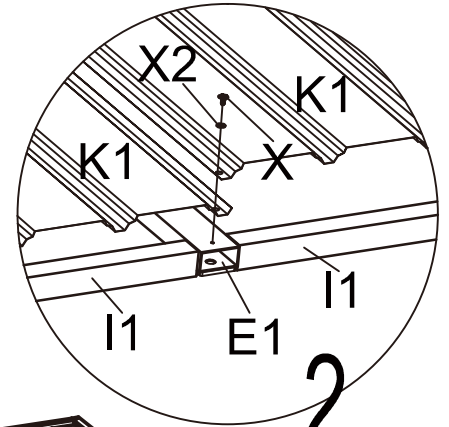
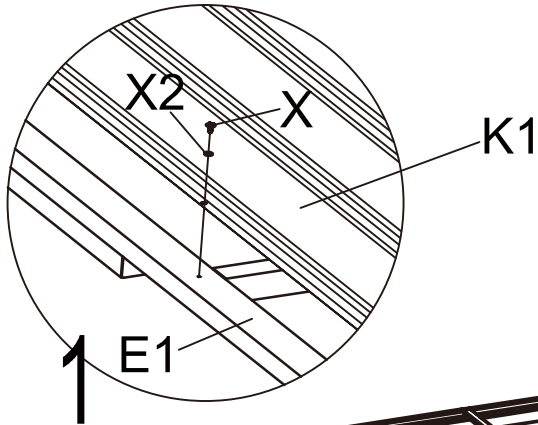


2 points to **NOTE**:

1. Each **side** of I1 has a **larger hole**; please make sure this **large hole faces the ground**.
2. The **central** of I1 has **2 smaller holes**; ensure **1 small hole faces the sky** and the other **small hole faces the outside of the gazebo**.



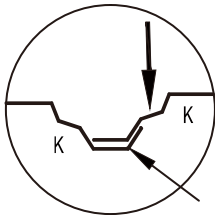
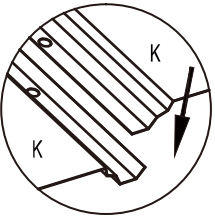
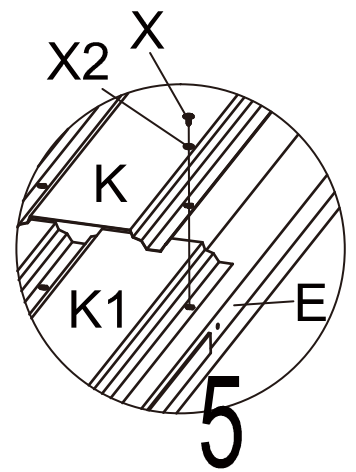
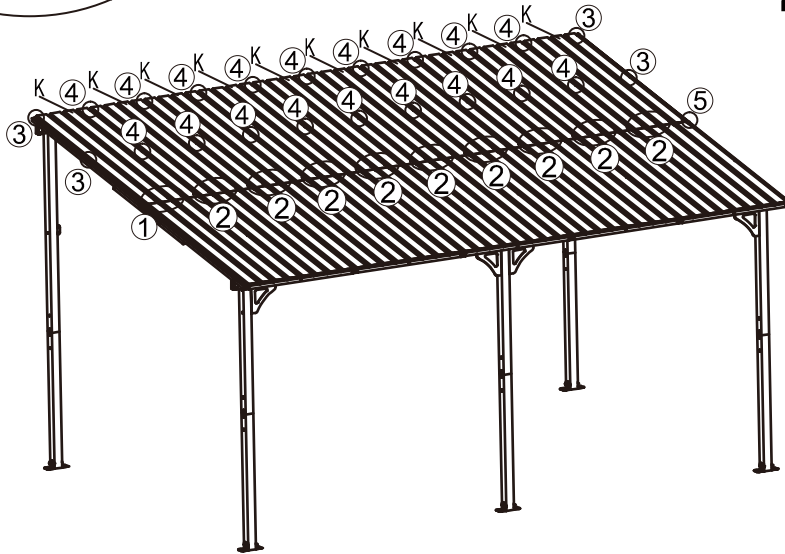
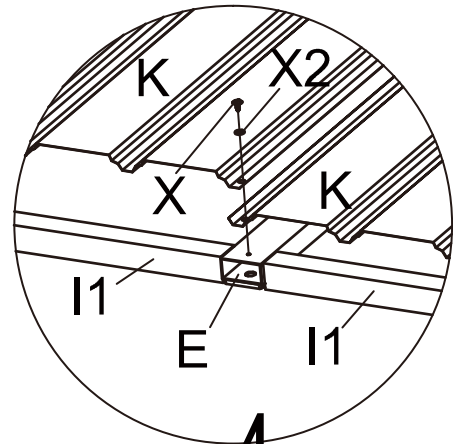
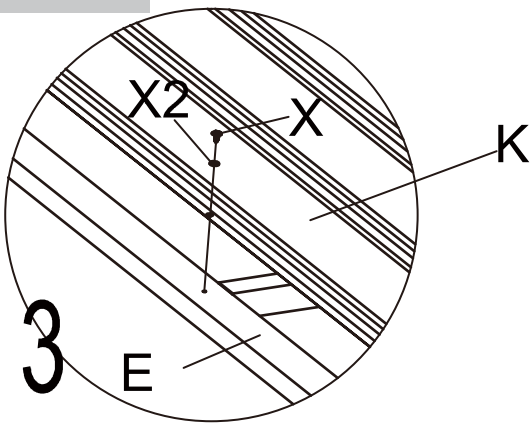
STEP 11



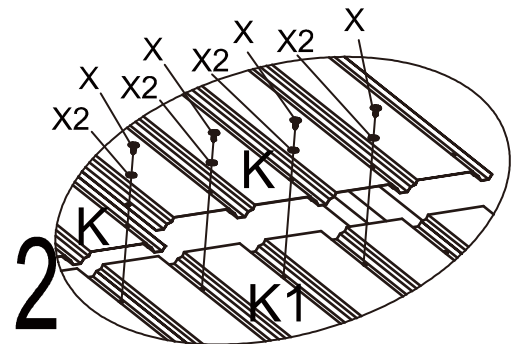
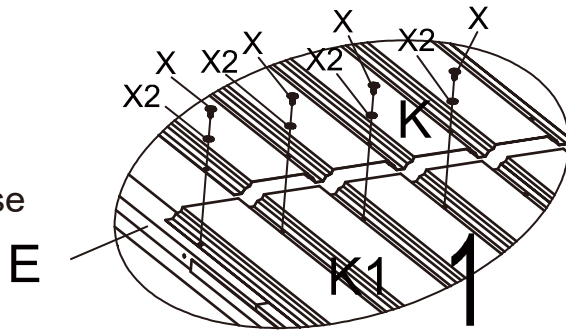
K1		X10
X		X22
X2		X22

We have labeled "UP" on the top panel. Please install and stack each piece with the side marked "UP" facing towards the sky.

STEP 12



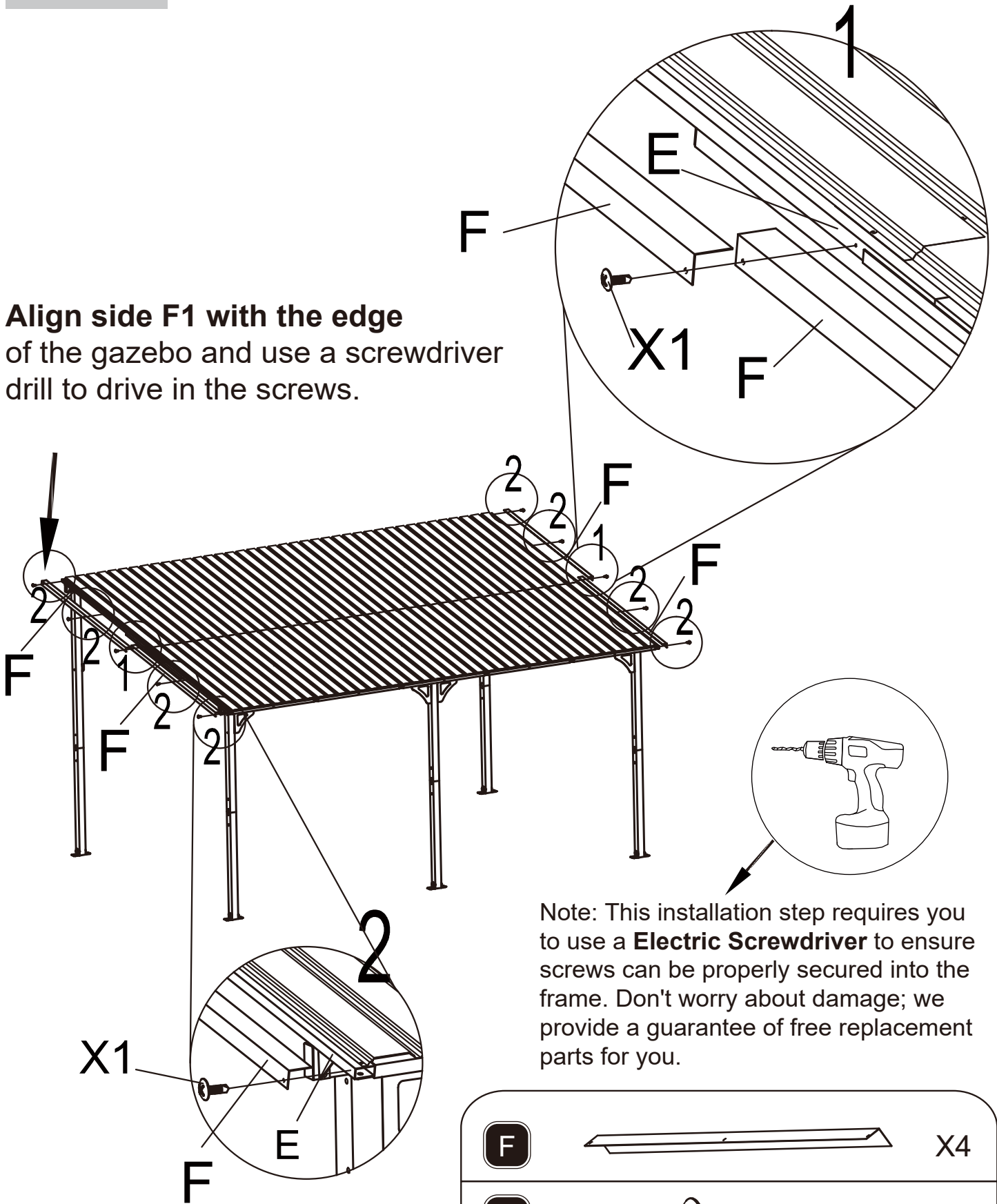
We have labeled "UP" on the top panel. Please install and stack each piece with the side marked "UP" facing towards the sky.



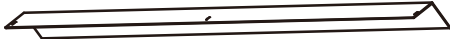

K		X10
X		X63
X2		X63

STEP13

Align side F1 with the edge of the gazebo and use a screwdriver drill to drive in the screws.

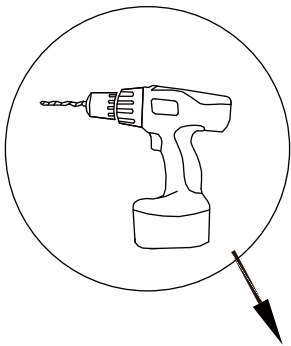
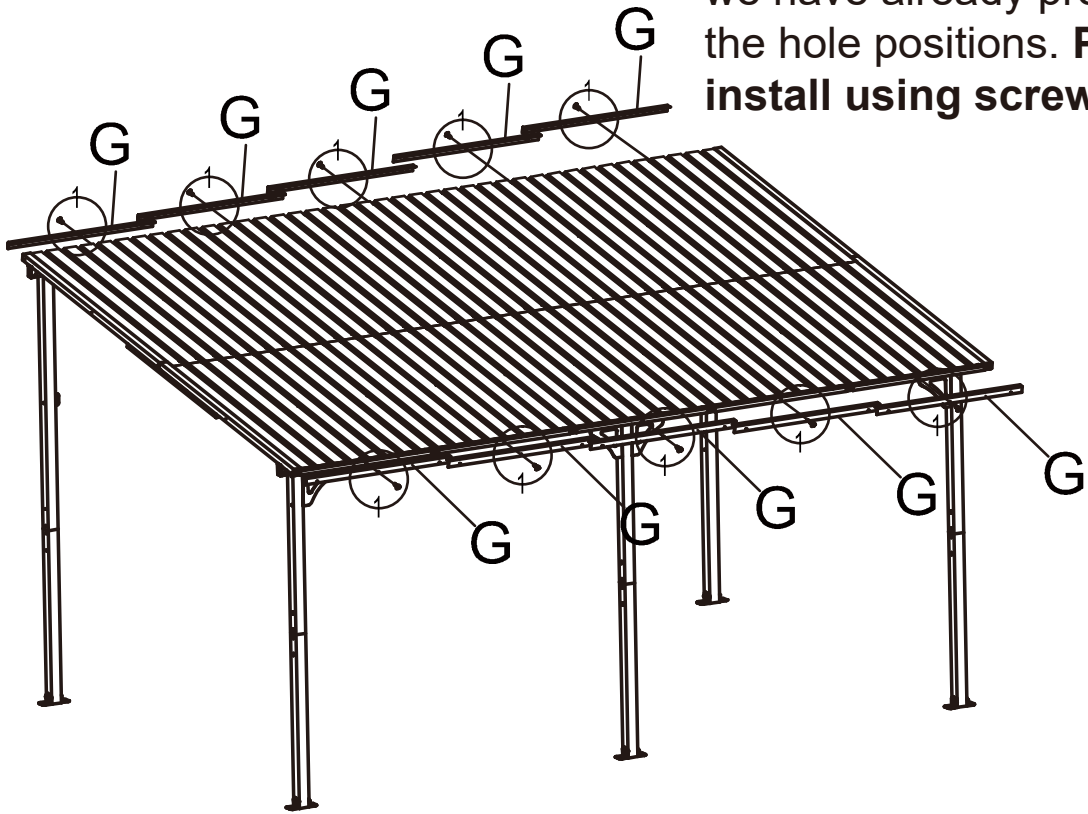


Note: This installation step requires you to use a **Electric Screwdriver** to ensure screws can be properly secured into the frame. Don't worry about damage; we provide a guarantee of free replacement parts for you.

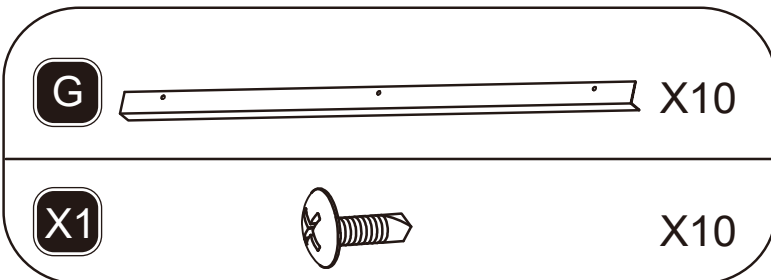
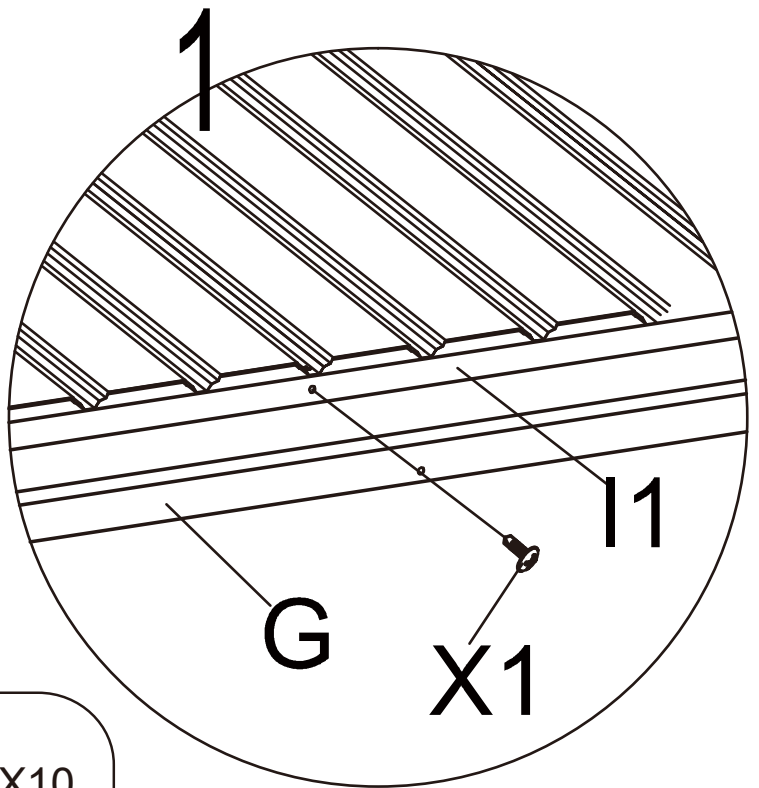
F		X4
X1		X10

STEP14

In the **middle of G**, we have already prepared the hole positions. **Please install using screws first.**

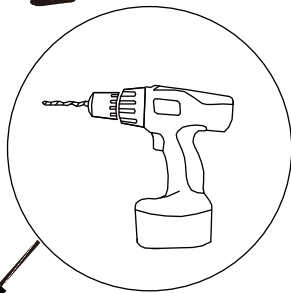
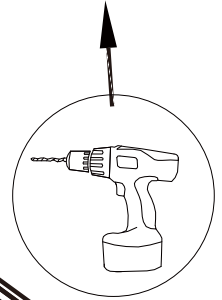
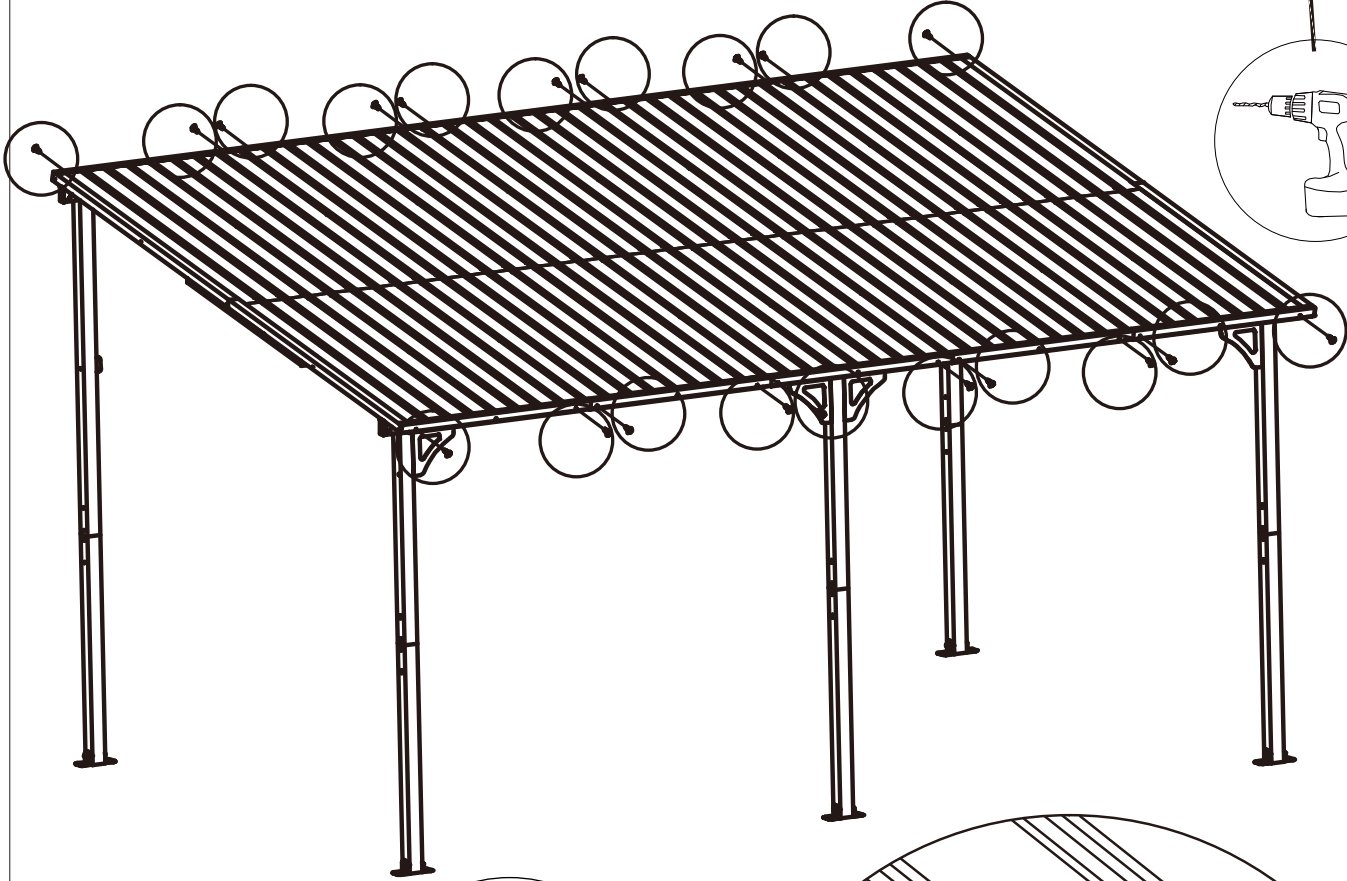


Note: This installation step requires you to use a **Electric Screwdriver** to ensure screws can be properly secured into the frame. Don't worry about damage; we provide a guarantee of free replacement parts for you.

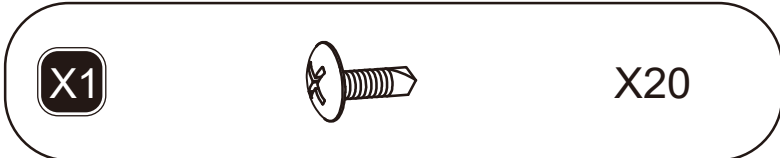
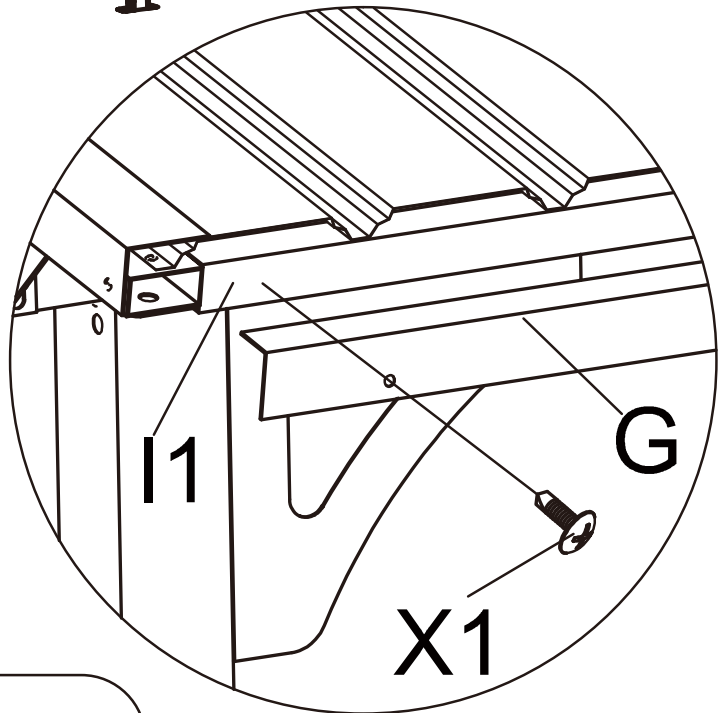


STEP 15

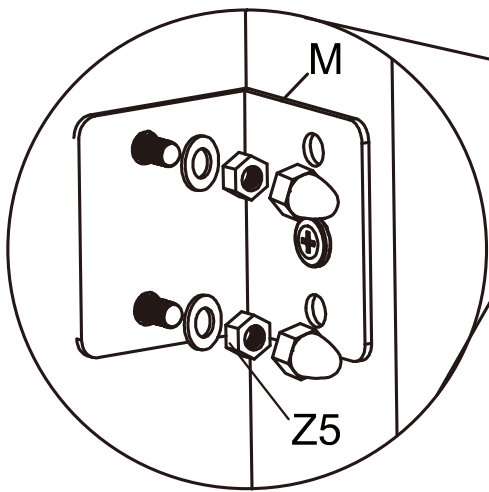
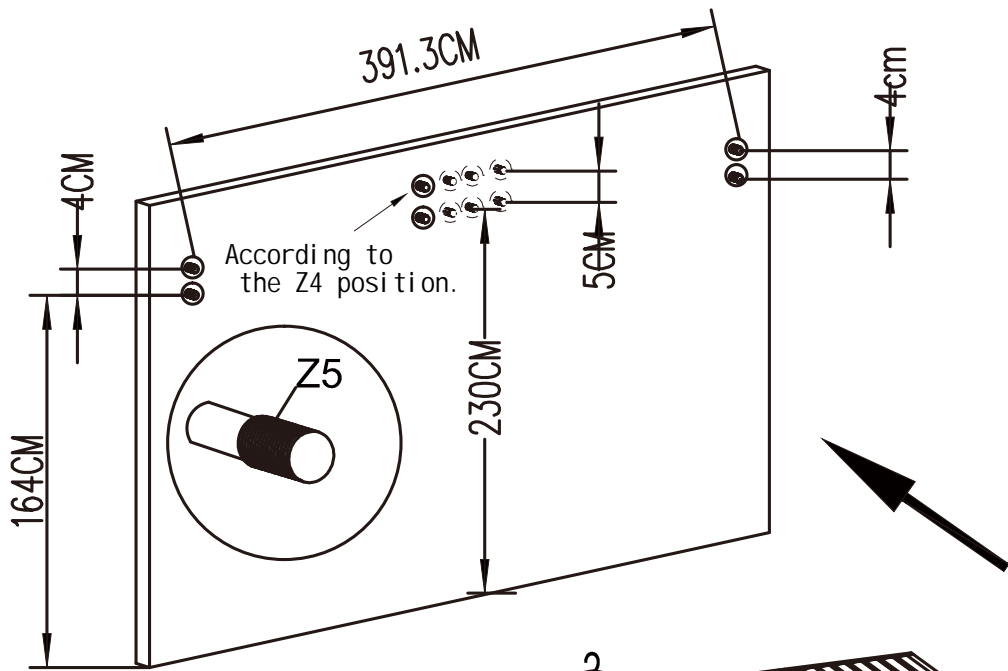
After installing the middle holes of G, proceed to use a screwdriver drill to drive the screws into the frame as well.



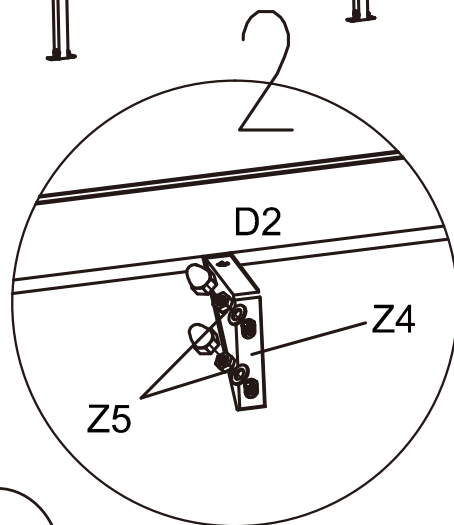
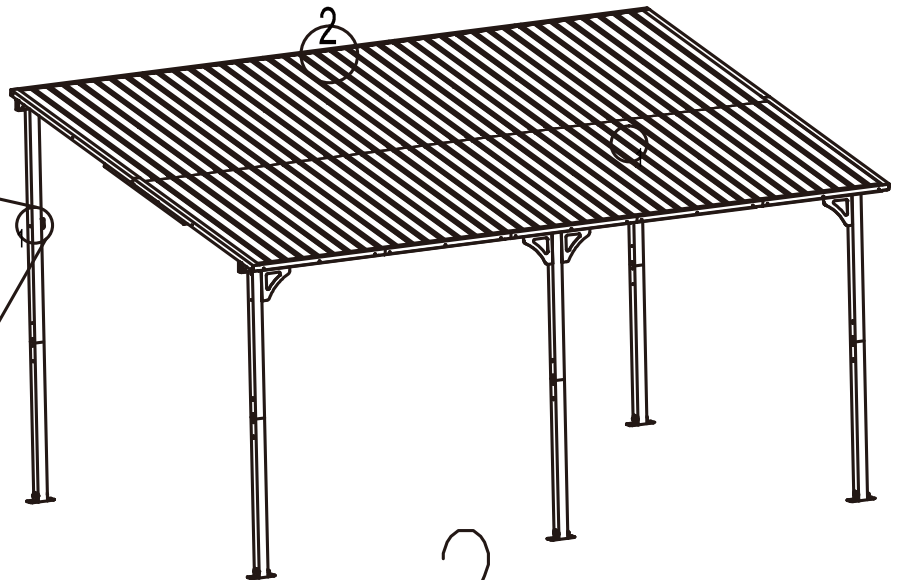
Note: This installation step requires you to use a **Electric Screwdriver** to ensure screws can be properly secured into the frame. Don't worry about damage; we provide a guarantee of free replacement parts for you.



STEP16



X2



X1

