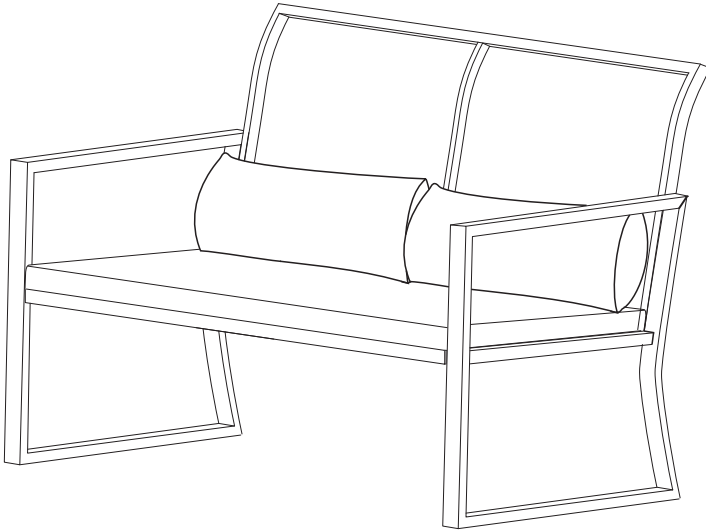


2-Seat Bench



Thank you for choosing us!

Our goal is to provide high quality outdoor furniture with outstanding customer service-all at an affordable price.

Please let us know how we are doing!

Problems?

(Missing pieces, wrong pieces...)

We will fix it immediately. Send us an email at our website.

Happy?

Please leave us a review!
You can make others happy too!



**IMPORTANT, RETAIN FOR
FUTURE REFERENCE:
READ CAREFULLY.**

Safety

- For domestic use only.
- Always use on firm level ground.
- Don't tighten all the bolts before the product is fully assembled.
- It would be useful to ask someone to help you assemble the product.
- Periodic structural checks of this product should be undertaken, do not use if you have any doubts about its fitness for purpose.
- Do not stand on the seat and table.
- Do not sit on the armrest and table.
- Do not let children play with this product.
- Maximum load per seat: 250 lbs.

At the beginning of the season

- Check to ensure that all components and fixings of this product are secure, do not use if you have any doubts about its fitness for purpose.

At the end of the season

- This product should be stored under cover during prolonged spells of adverse weather (wet or cold) and also during the winter (ideally in a garden shed or garage).
- Always clean and dry thoroughly before storage.

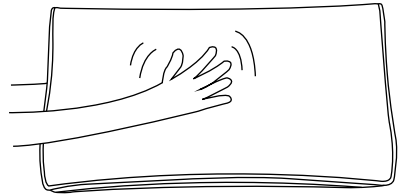
Tips for Cushions

In order to compress the package, we put the cushions in the gap of some parts. So there may be crinkle on the fabric. Don't worry. Just flap every corner of the cushion evenly and it will get back into its original shape soon.

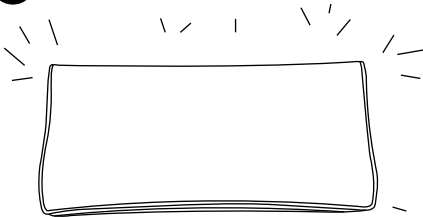
1



2





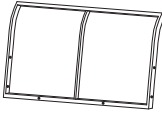

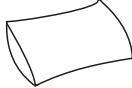





3



OK



COMPONENT LIST - LOVESEAT

Item no.	Reference Image	Description	Qty.
A		Armrest	2
E		Seat Base	1
F		Back Panel	1
J		Seat Cushion	1
K		Pillow	2
M		M6*60 Head Cap Screw	4
N		M6*55 Head Cap Screw	4
O		M6*30 Head Cap Screw	2
P		Washer	10
Q		Allen Key	1

NOTE:

Do NOT tighten any screws fully first until you have tightened all the screws.

This may cause the frame to warp.

If there is still wobbles or screw holes cannot be aligned, loosen the screws and tighten sequentially.

If the Loveseat is not stable it could lead to damage to the product.

01

(N)

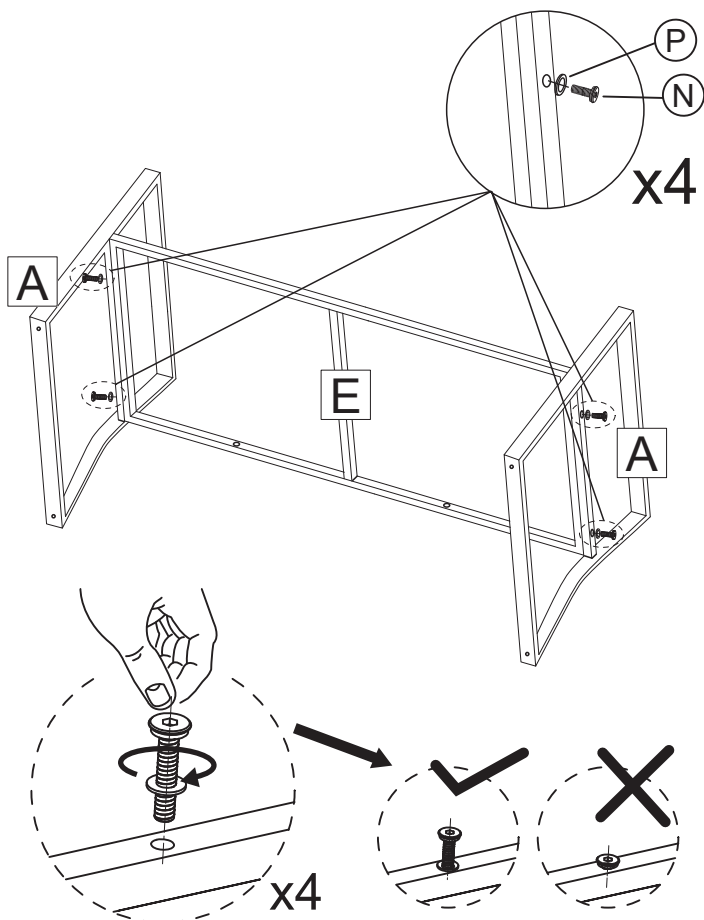


(P)



M6*55 Screw x4

Washer x4



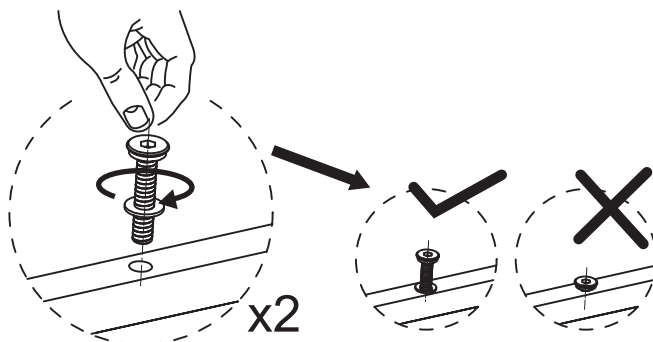
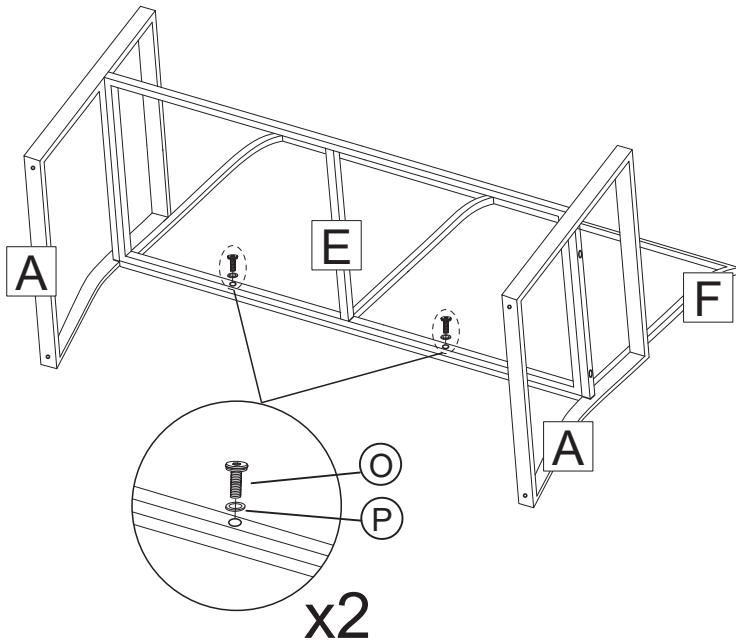
NOTE:DO NOT TIGHTEN THE SCREWS COMPLETELY.

02



M6*30 Screw x2

Washer x2



NOTE: DO NOT TIGHTEN THE SCREWS COMPLETELY.

03

(M)

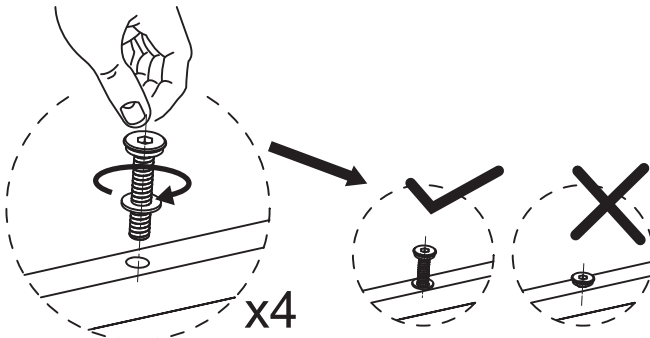
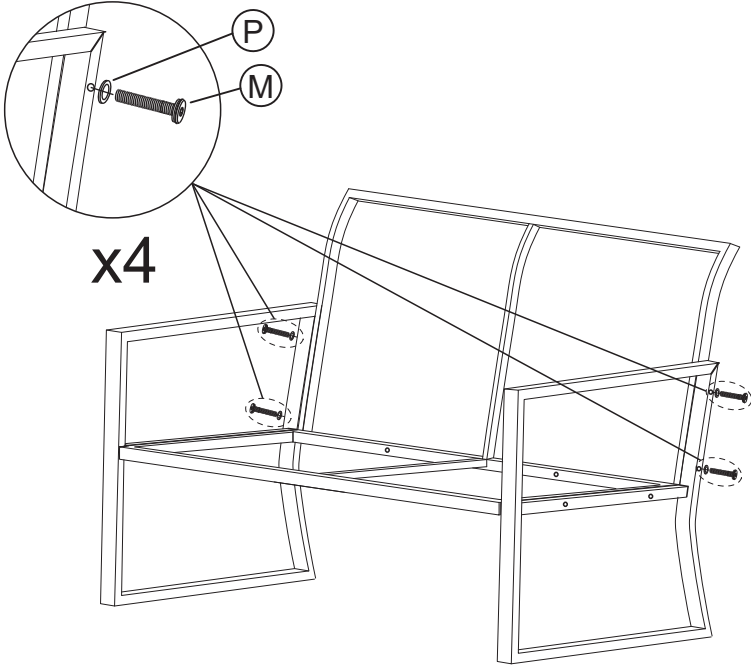


(P)



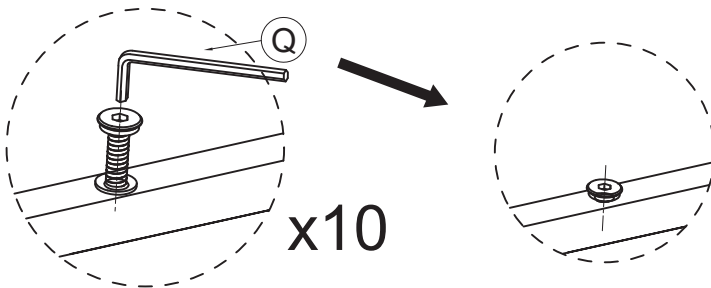
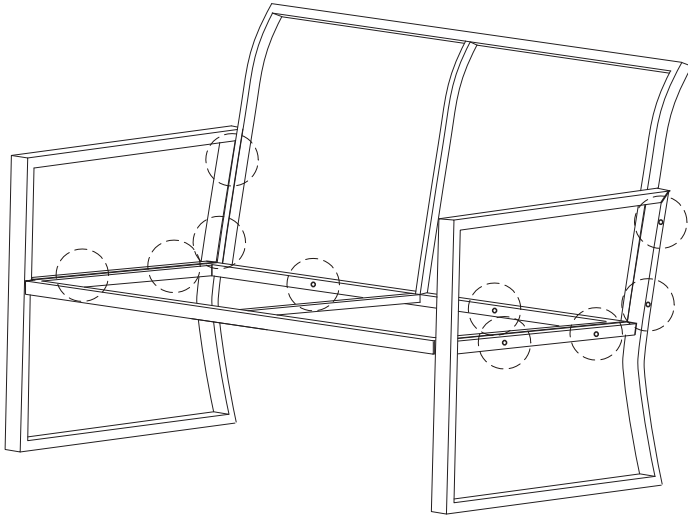
M6*60 Screw x4

Washer x4



NOTE: DO NOT TIGHTEN THE SCREWS COMPLETELY.

04 Tighten all 10 Screws into place with Allen Key.



NOTE:IF ANY SCREW HOLES CANNOT BE ALIGNED, LOOSEN ALL THE SCREWS AND GO BACK STEP 1 AND RESTART ASSEMBLY.

05

