

Assembly Instructions

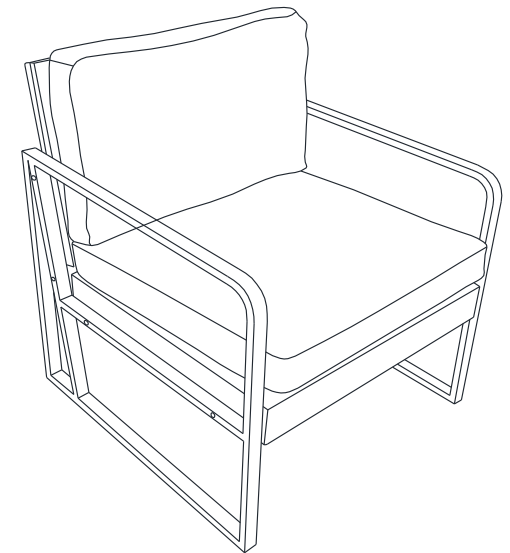
⚠ Before you throw the carton, please ensure that you have all the parts needed for the assembly.

⚠ **Hardware Note:**

1. For each step please don't fully tighten all the screws at first, when they all align to the holes you can fully tighten them.

2. All the bolts should be assembled **vertically** to the holes.

⚠ **Spare parts can be found in the hardware box** if you do not have enough bolts for assembly.

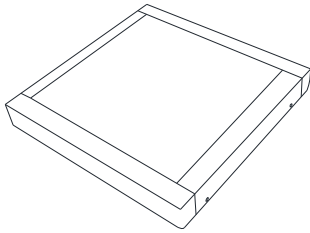


Assembly Instructions

Parts and Hardware

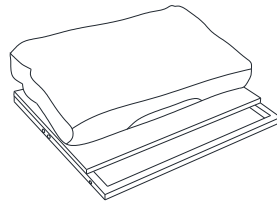
Please check to make sure you have all parts and hardware before starting assembly process.

Ⓐ



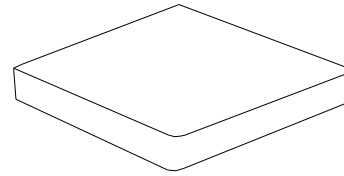
Seat Frame 1pc

Ⓑ



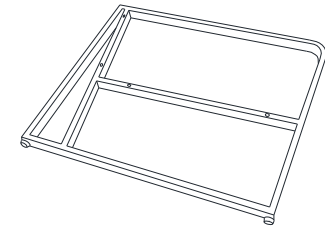
Back Cushion 1pc

Ⓒ



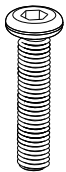
Seat Cushion 1pc

Ⓓ



Arm 2pcs

①



Bolt 8pcs

②



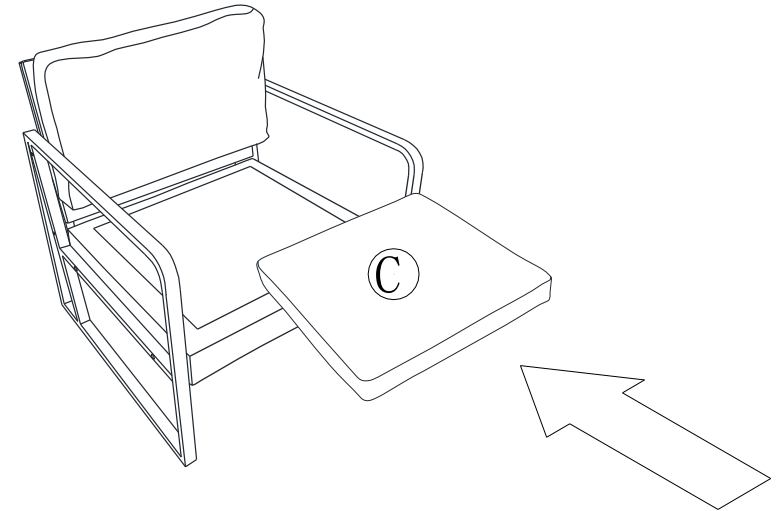
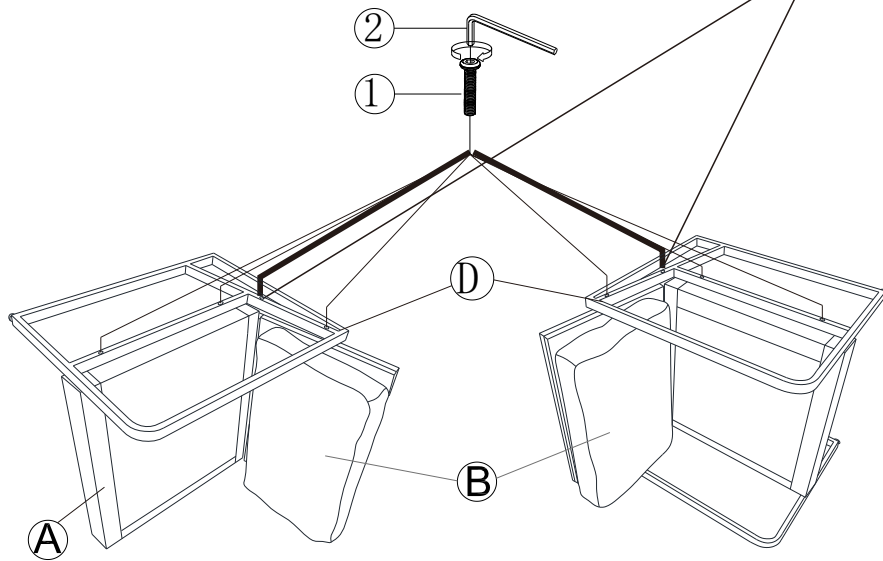
Wrench 1pc

Assembly Instructions

Assembly Instructions

Step 1: Assemble back and stat frame to arms. Half tighten the bolts until they are align to the holes **do not fully tighten** them.

! Assemble these 2 bolts at first.



put seat cushion on seat frame

