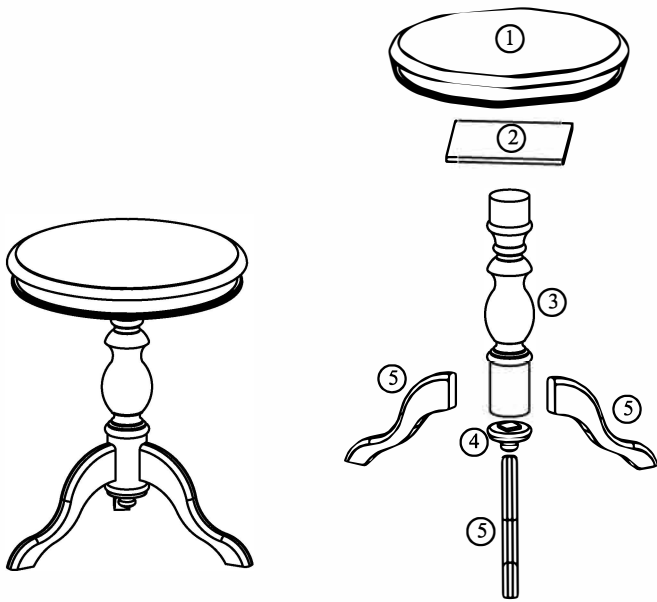


CHAIR & TABLE COMPANY




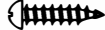
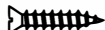


Assembly Instructions



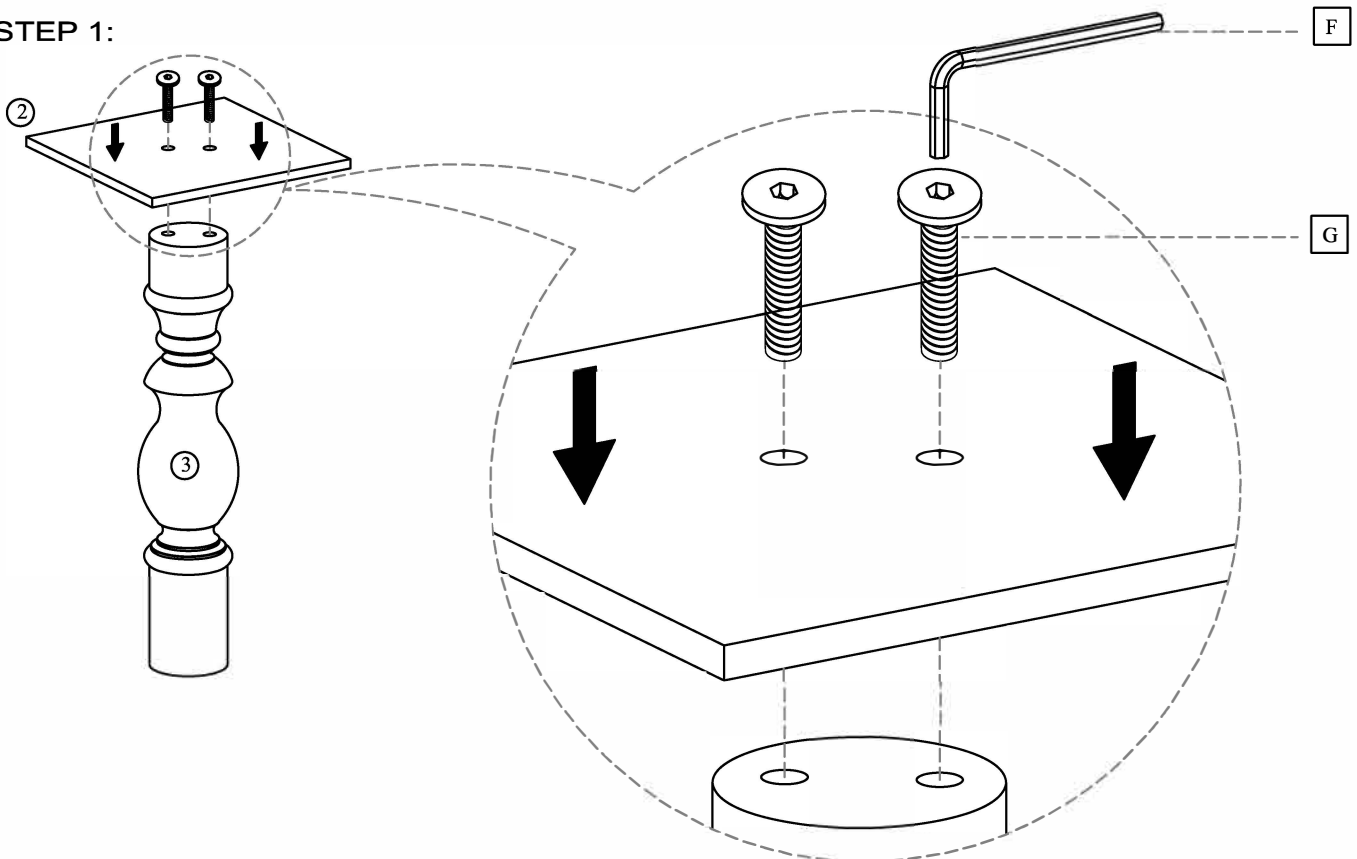
PARTS CHECK LIST

CODE	COMPONENTS	Q'TY
①	TABLE TOP	X1
②	SUPPORT PANEL	X1
③	POST LEG	X1
④	BOTTOM	X1
⑤	BASE	X3

FITTINGS CHECK LIST

CODE	DESCRIPTION	Q'TY
A		X3
B		X3
C		X1
D		X4
E		X2
F		X1
G		X2

STEP 1:



STEP 2:

