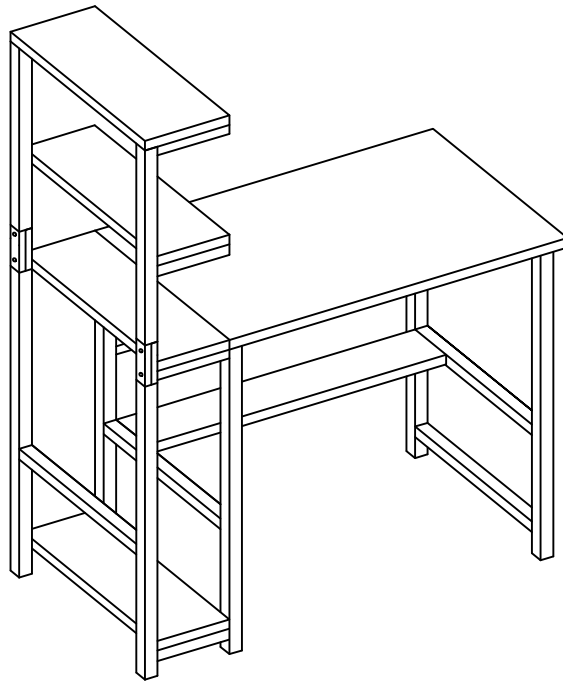
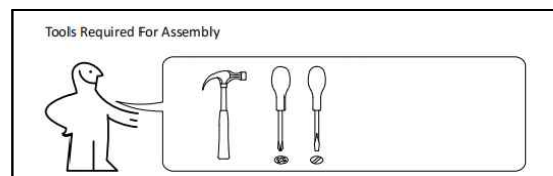
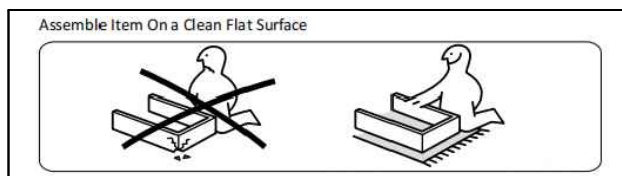







# Instruction Manual

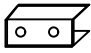



DEAR CUSTOMER,  
Thank you for choosing our product. Please read this manual carefully before assembling. If the product is passed on to the third party, this manual has to be passed on along with the product. Enjoy your new purchase!




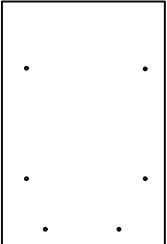



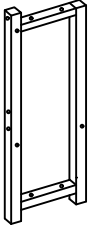
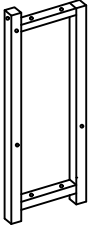






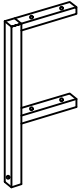
## HARDWARE LIST

1		2	M6*30 	3		4	M6*25 	5	
	x2pcs		x20pcs		x8pcs		x22pcs		x4pcs

6  ×4pcs	7  ×10pcs	8	9	10
---	--	---	---	----

## PARTS LIST

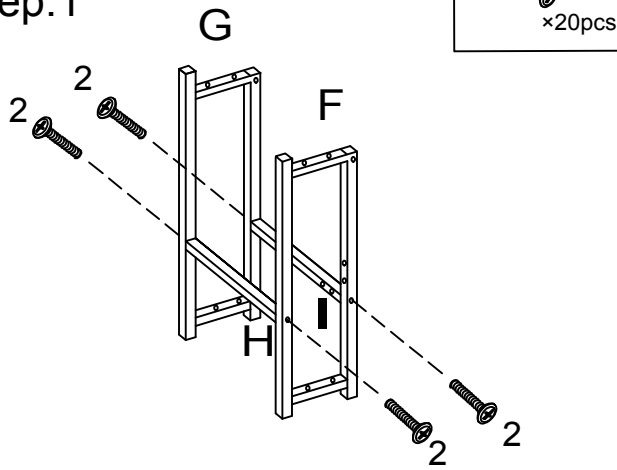
Note: there will be some error in the measurement, the actual size shall prevail.

A  ×1pc	B  ×1pc	C  ×3pcs	D  ×1pc			
E  ×2pcs	F  ×1pcs	G  ×1pcs	H  ×2pcs			
I  ×2pcs	J  ×2pcs	K  ×1pcs	L  ×1pc	M  ×1pc	N  ×2pcs	O

## NOTE

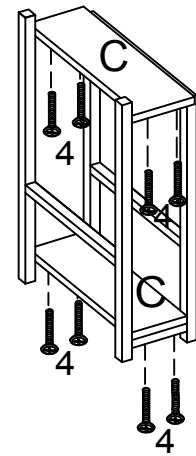
- Please check that you have all the parts and hardware listed before assembling.
- Please do not tighten all bolts until the table is assembled completely.
- If you find that something is missing, please contact the store you purchase immediately.
- At least every 4 months, check all bolts, screws and knobs to be sure they are tight.

### Step:1



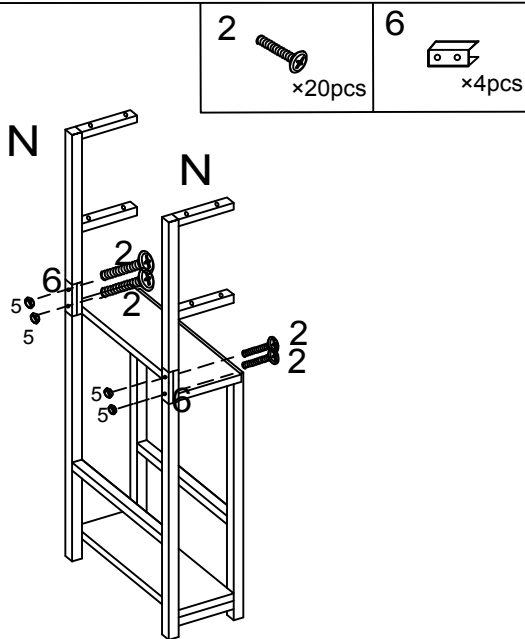
Connect the square tube with fitting 4.

### Step:2



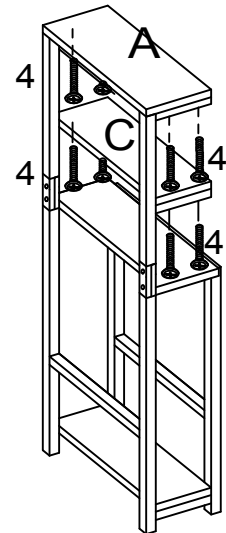
Install panel A and C through fitting 2.

### Step:3



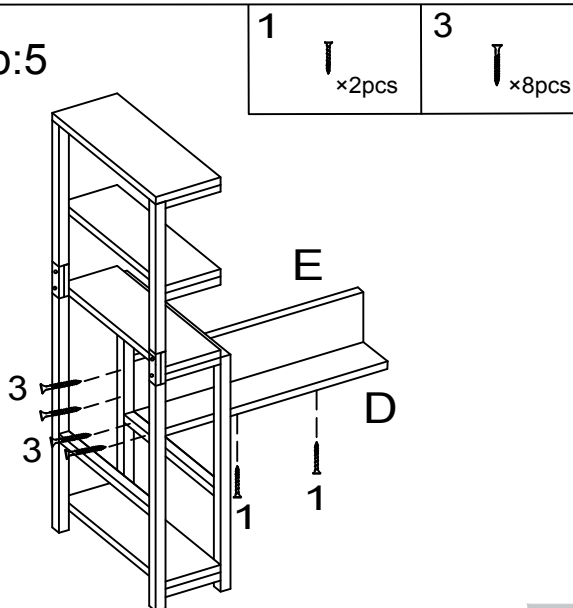
Install square tube N.

### Step:4



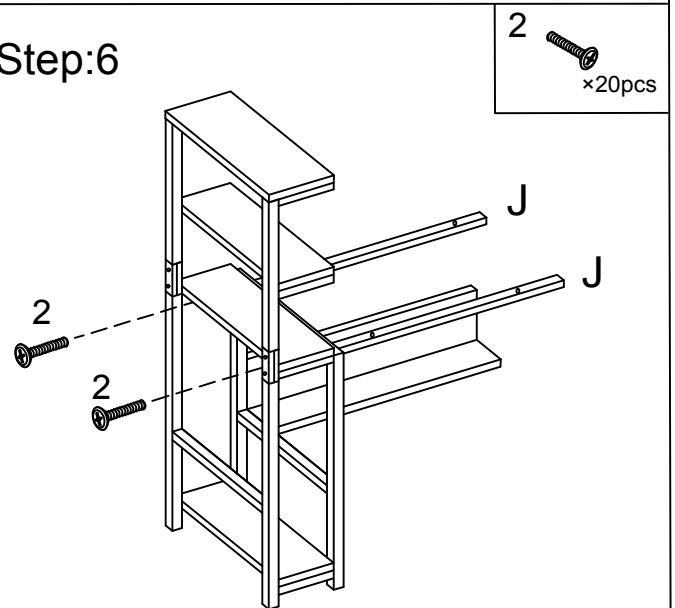
Install panel B and C through fitting 2.

### Step:5



Install panels D and E.

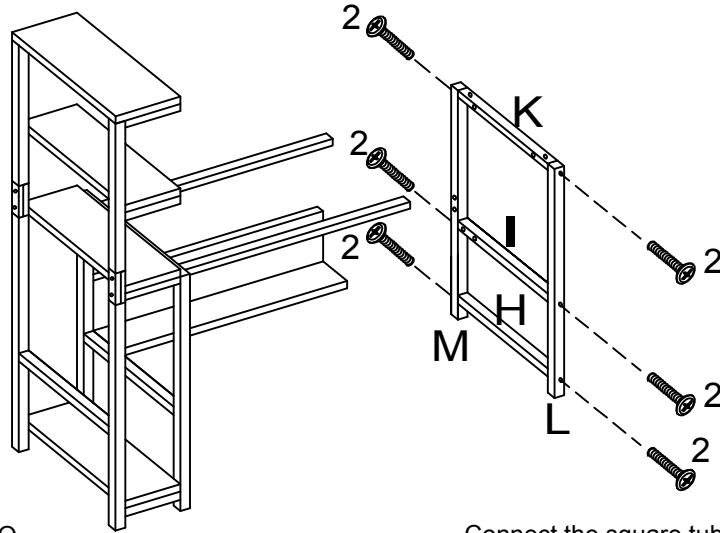
### Step:6



Install square tube J.

### Step:7

2  ×20pcs




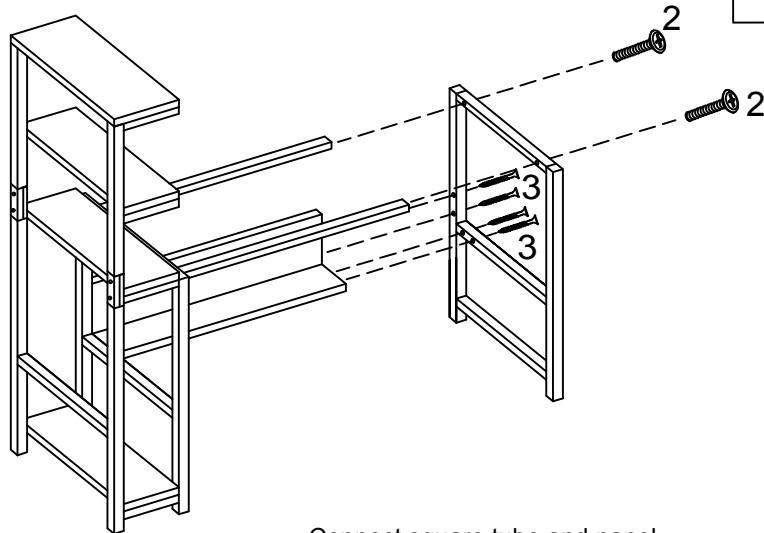
Install pull rod O.

Connect the square tube with fitting 4.

### Step:8


2  ×20pcs


3  ×8pcs



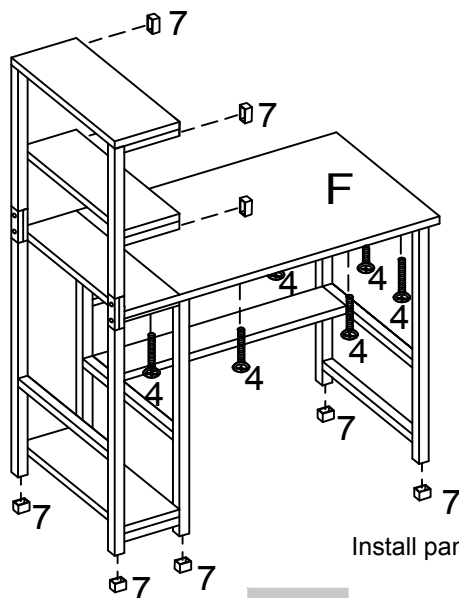
Connect square tube and panel.

### Step:9

4  ×22pcs

7  ×10pcs

Installation Complete !



Install panel F and fitting 8.