

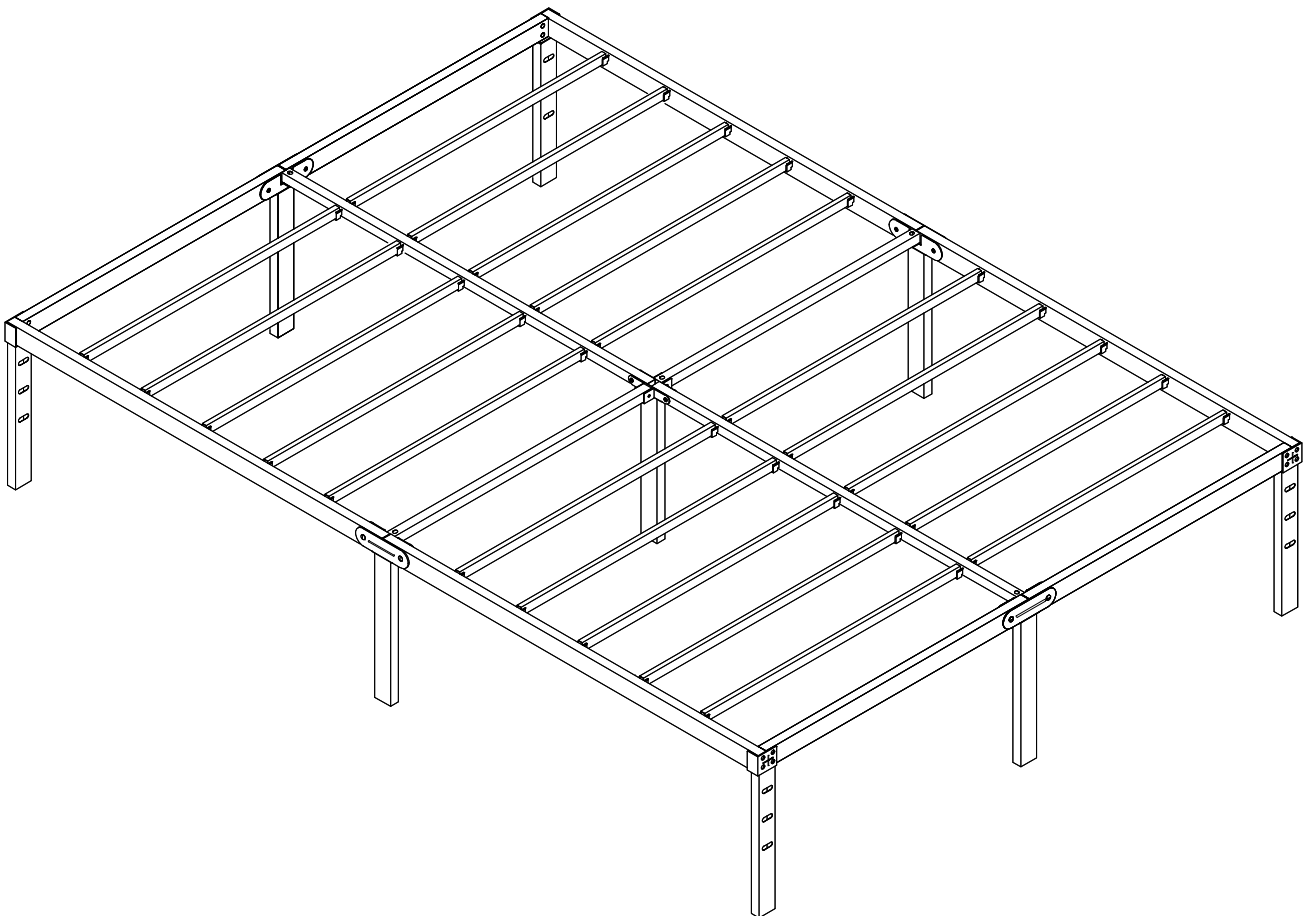
ASSEMBLY INSTRUCTION

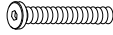

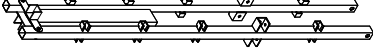
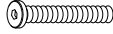

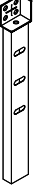
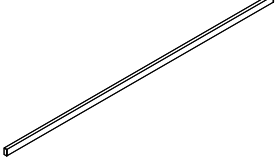
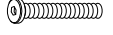


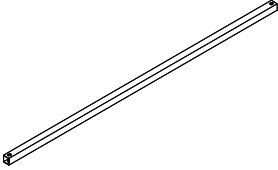


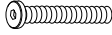
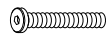

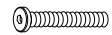

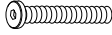
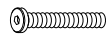

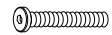

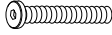
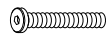

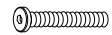

NOTES:

- Do not skip any step.
- Do not fully tight screws until all the bed parts are assembled.

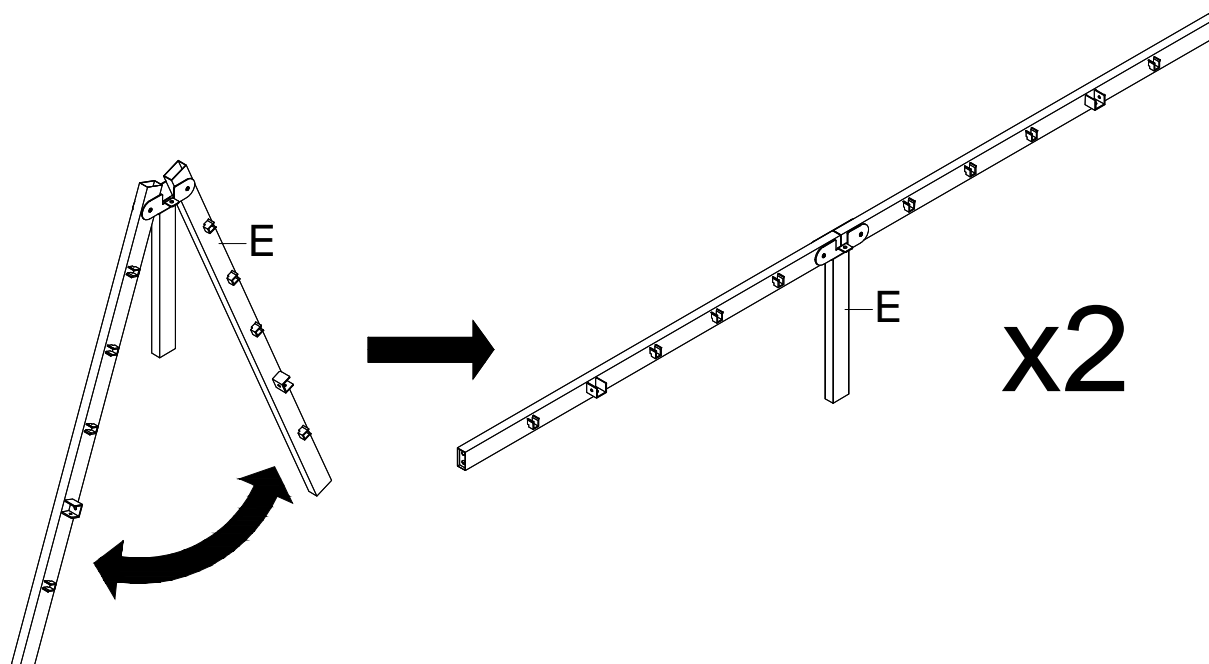
WARNING:

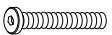

WARNIND FOR YOUNG CHILDREN-This product contains small components,please ensure that they are kept away from small children while assembling.



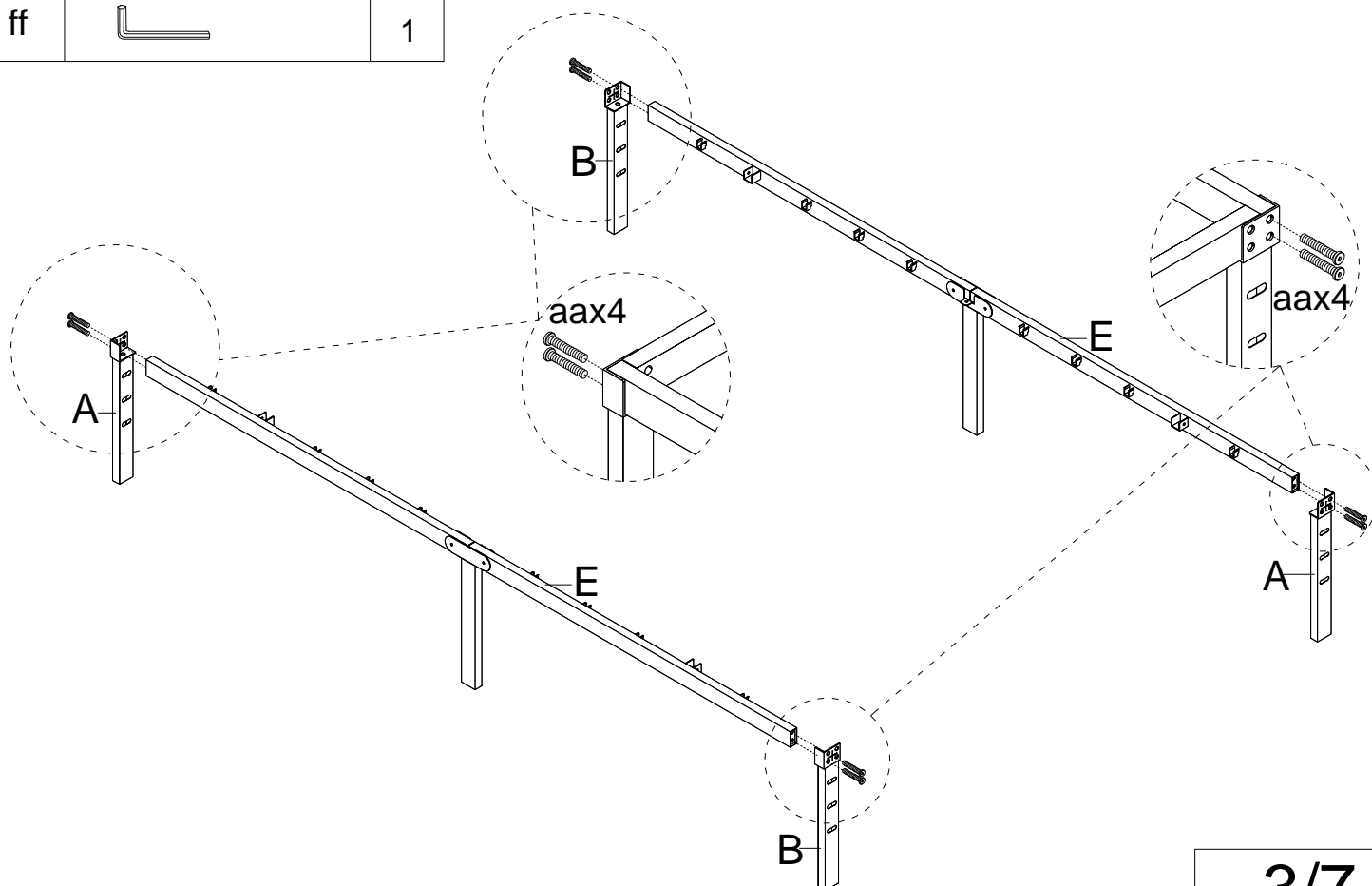
<p style="text-align: center;">A</p>	<p style="text-align: center;">G</p>	<p>aa</p>		<p>M8x25</p>	<p>8</p>																
 <p style="text-align: center;">2PCS</p>	 <p style="text-align: center;">1PC</p>	<p>bb</p>		<p>M8x35</p>	<p>8</p>																
<p style="text-align: center;">B</p>	<p style="text-align: center;">H</p>	<p>cc</p>		<p>M8</p>	<p>8</p>																
 <p style="text-align: center;">2PCS</p>	 <p style="text-align: center;">20PCS</p>	<p>dd</p>		<p>M6x30</p>	<p>6</p>																
<p style="text-align: center;">E</p>	<p style="text-align: center;">P</p>	<p>ee</p>			<p>1</p>																
 <p style="text-align: center;">2PCS</p>	 <p style="text-align: center;">2PCS</p>	<p>ff</p>			<p>1</p>																
<p style="text-align: center;">F</p>																					
 <p style="text-align: center;">2PCS</p>		<table border="1" style="width: 100%; border-collapse: collapse;"> <tr> <td data-bbox="1043 1272 1163 1344" rowspan="5" style="text-align: center; vertical-align: middle;">SPARE</td> <td data-bbox="1163 1272 1246 1344">aa</td> <td data-bbox="1246 1272 1481 1344">  </td> <td data-bbox="1481 1272 1544 1344">1</td> </tr> <tr> <td data-bbox="1163 1344 1246 1422">bb</td> <td data-bbox="1246 1344 1481 1422">  </td> <td data-bbox="1481 1344 1544 1422">1</td> </tr> <tr> <td data-bbox="1163 1422 1246 1500">cc</td> <td data-bbox="1246 1422 1481 1500">  </td> <td data-bbox="1481 1422 1544 1500">1</td> </tr> <tr> <td data-bbox="1163 1500 1246 1579">dd</td> <td data-bbox="1246 1500 1481 1579">  </td> <td data-bbox="1481 1500 1544 1579">1</td> </tr> <tr> <td data-bbox="1163 1579 1246 1664">ff</td> <td data-bbox="1246 1579 1481 1664">  </td> <td data-bbox="1481 1579 1544 1664"></td> </tr> </table>				SPARE	aa		1	bb		1	cc		1	dd		1	ff		
SPARE	aa		1																		
	bb		1																		
	cc		1																		
	dd		1																		
	ff																				
<p style="font-size: 24px; margin: 0;">2/7</p>																					

Step 1

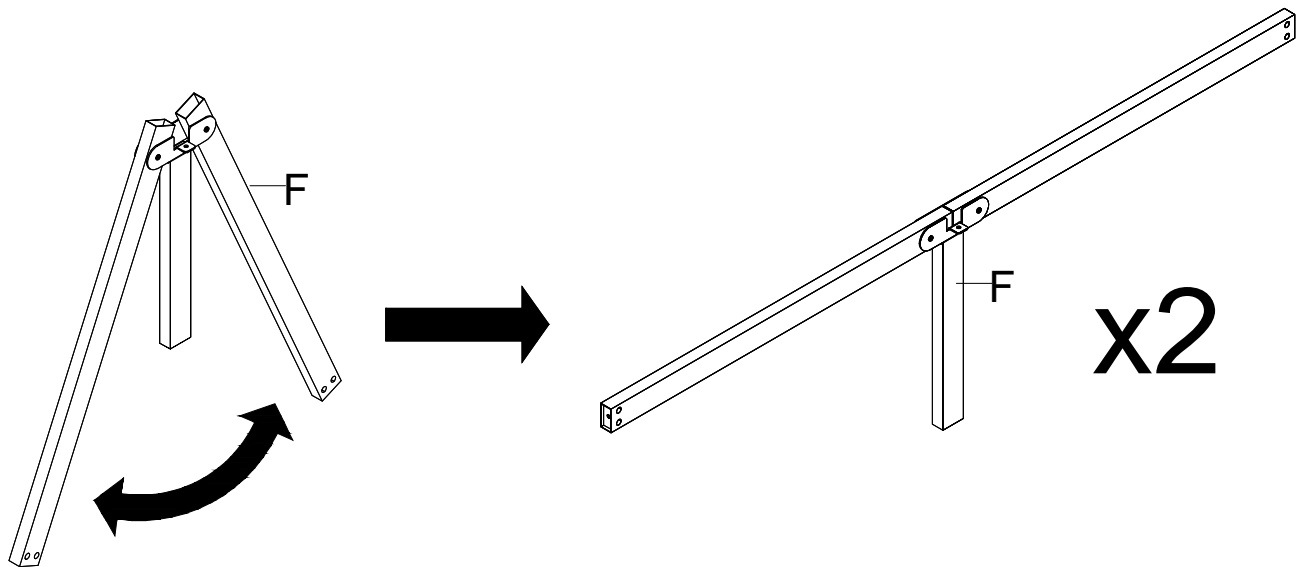


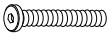



aa		M8x25	8
ff			1

Step 2

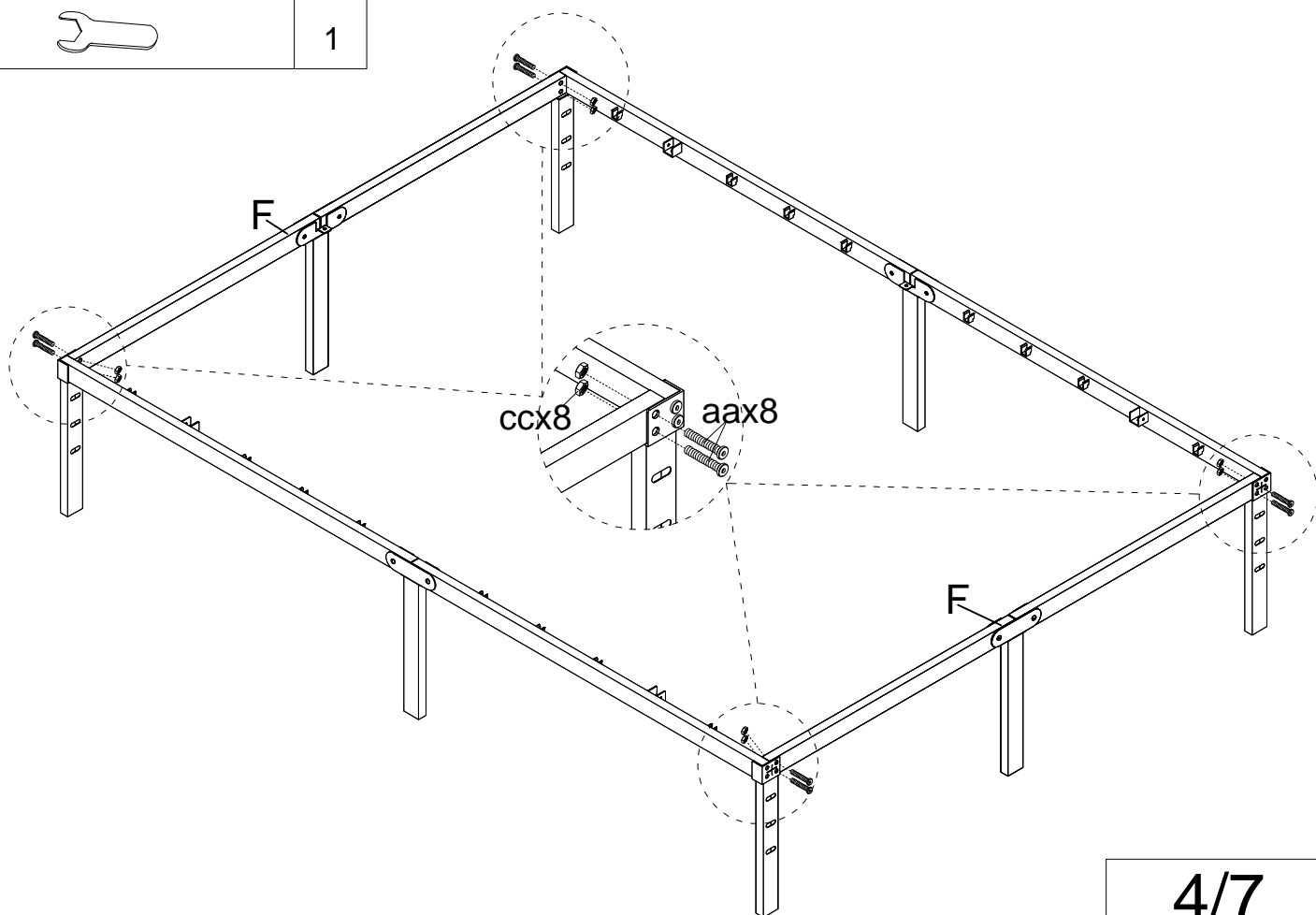


Step 3

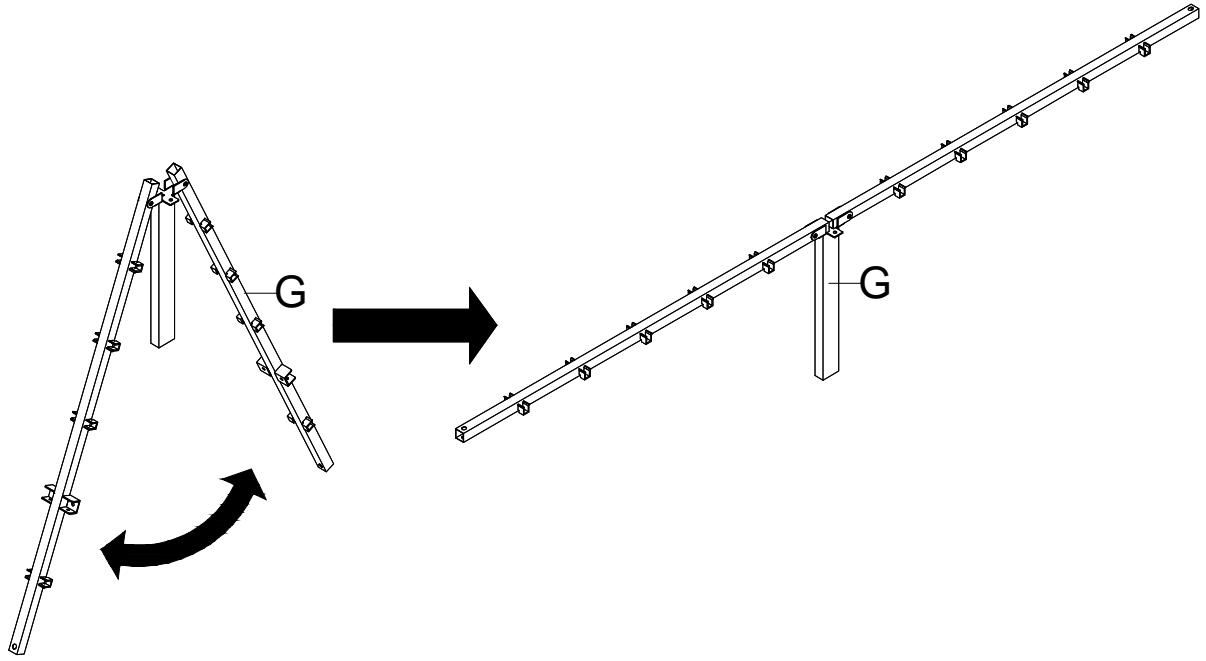


bb		M8x35	8
cc			8
ff			1
ee			1

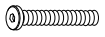
Step 4



Step 5



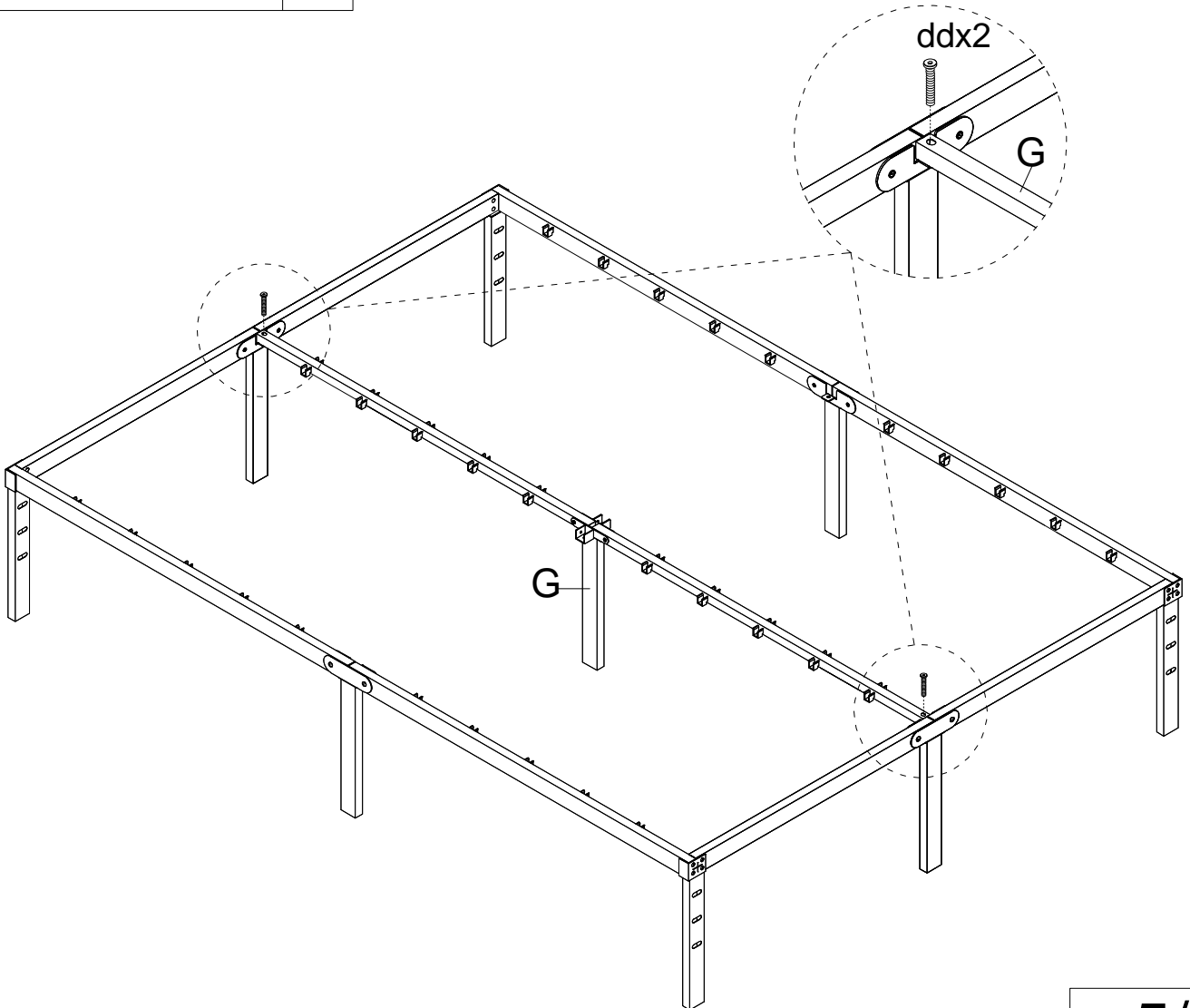
dd





M6x30

2

Step 6



dd		M6x30	4
ff			1

