

# Instruction Manual

Please save this manual for future reference.

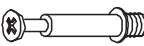


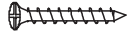
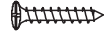





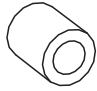





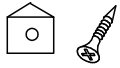

<b>Product Name:</b>	Black and Oak Engineered Wood Storage Wine Cabinet
----------------------	--

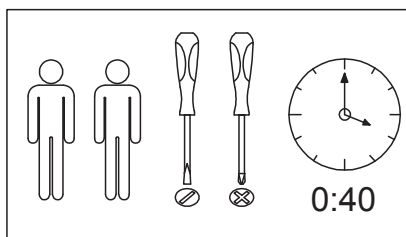
Thank you for purchasing this product. This product has been manufactured with the highest standards of safety and quality.

**PLEASE READ ALL INSTRUCTIONS BEFORE ASSEMBLY.**

Unpack all parts from Styrofoam and bubble wrap inside the carton to ensure there are no missing or damaged parts. If any parts are missing or damaged, do not attempt to assemble or use the product.

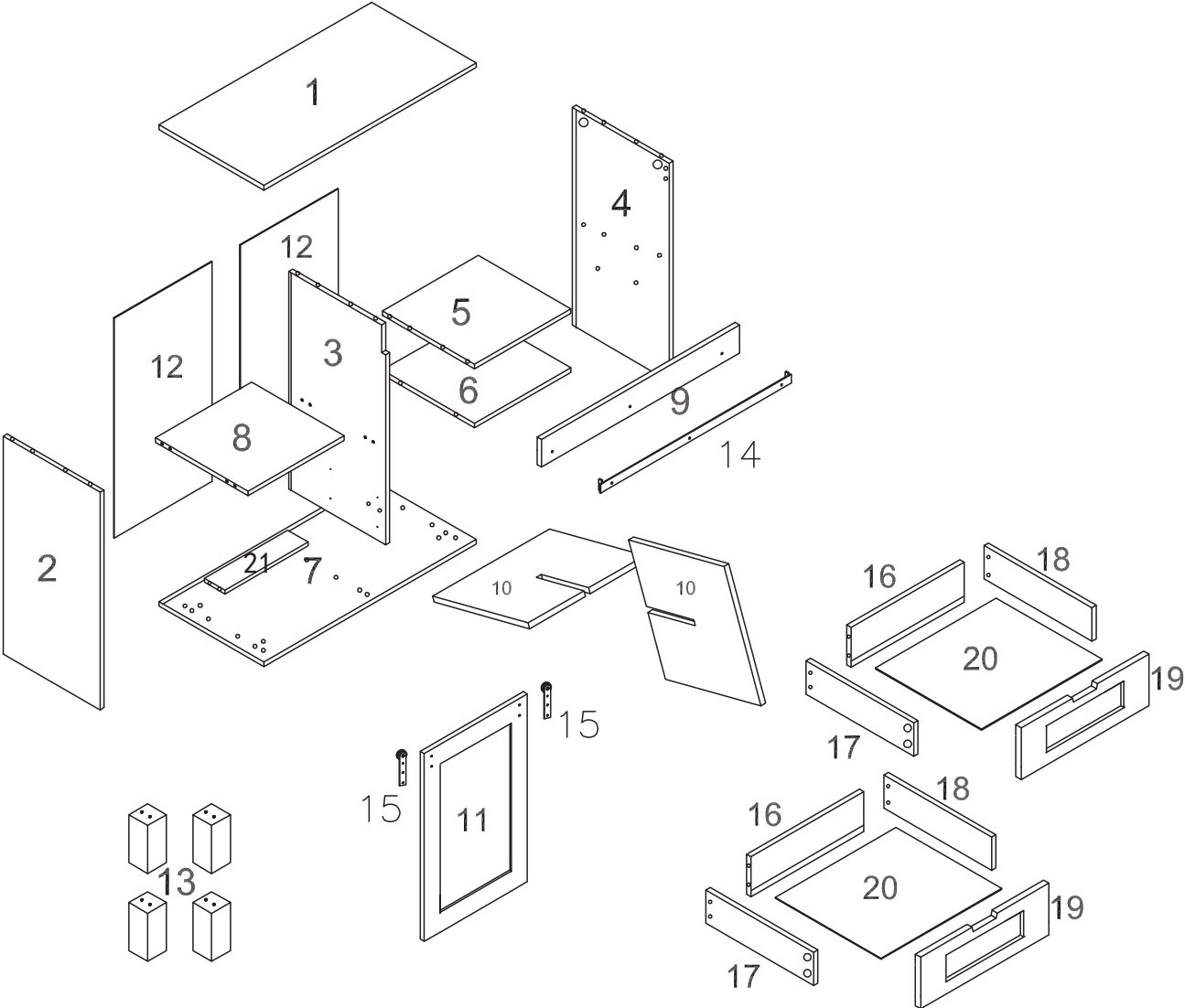
**Hardware:**

A  Qty: 23	B  Qty: 23	C  Qty: 6	D  4*40MM Qty: 6	E  4*30MM Qty: 16	F  4*14MM Qty: 4
G  4*25MM Qty: 2	H  6*30MM Qty: 32	I  Qty: 2	J  Qty: 2	K  Qty: 3	L  Qty: 3
M  Qty: 2	N  Qty: 1	O  Qty: 16	P  Qty: 2	Q  Qty: 4	



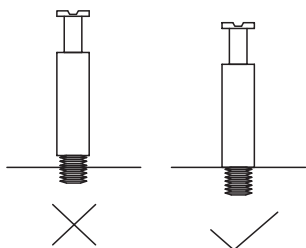
**Tools required for assembly:** Philips screwdriver and Flathead Screwdriver (if using power tools, use with care)

Panels

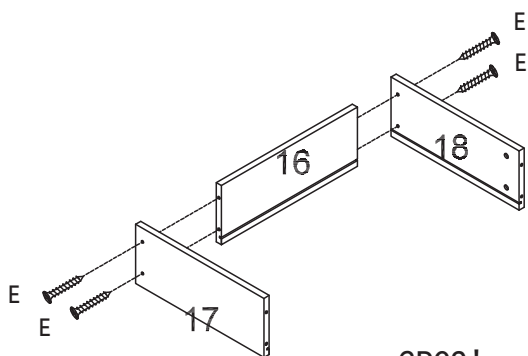
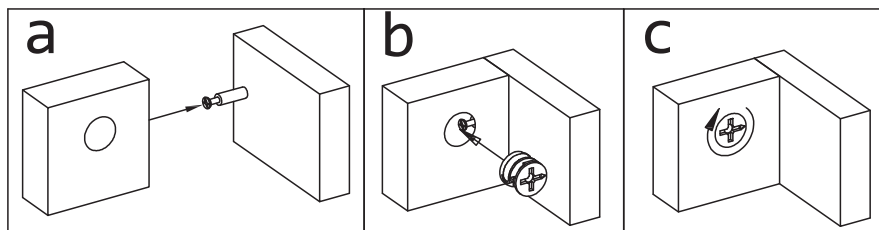


### Step 1

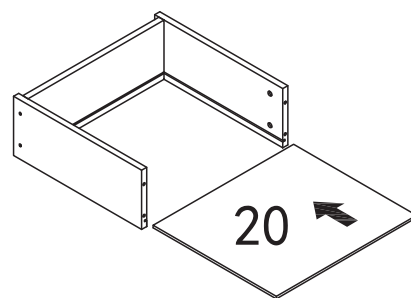
Make sure the pins are installed correctly as shown with the "check mark" below



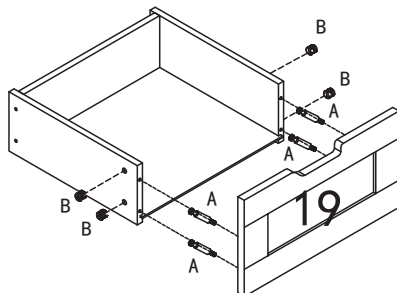
Below shows how the pins are used to assemble the panels together.



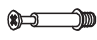

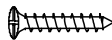


2PCS!

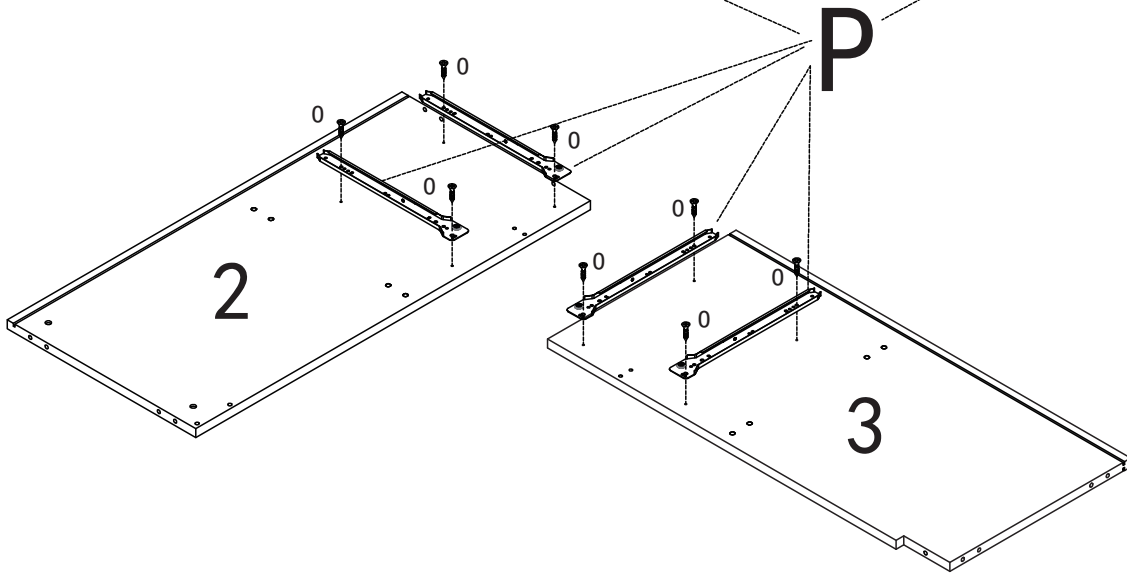
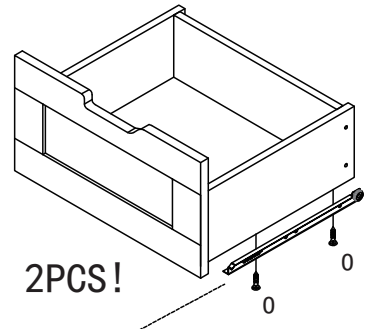
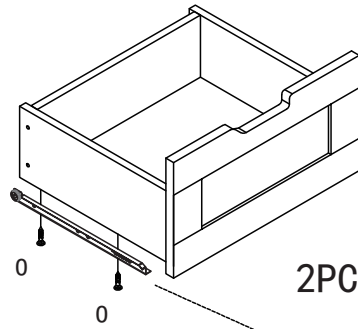


2PCS!






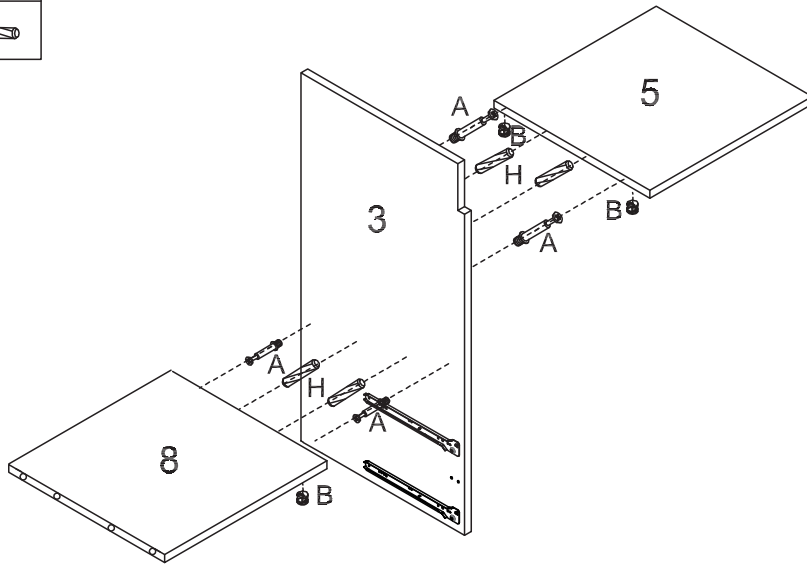
2PCS!

A x 8	B x 8	E x 8	P x 2	O x 16
				

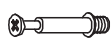



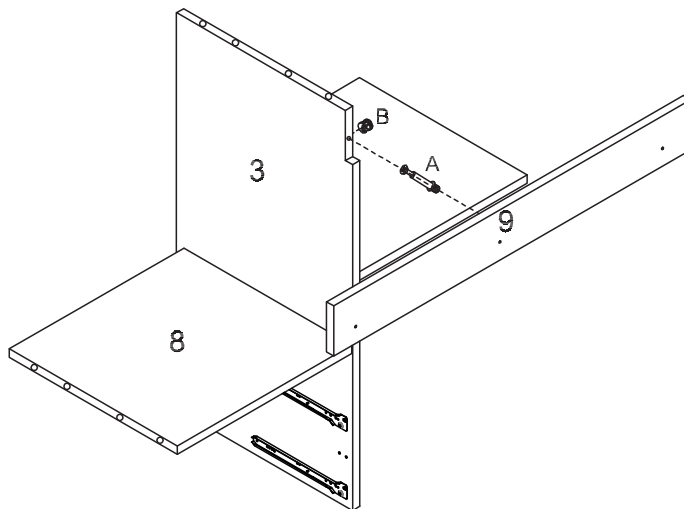
Step 2

A x 4	B x 4	H x 4
		






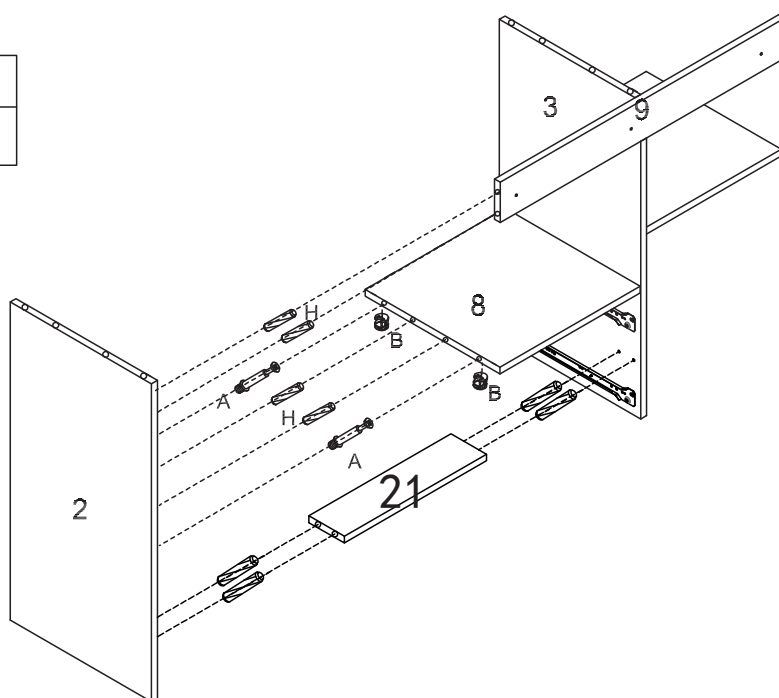
Step 3

A x 1	B x 1
	

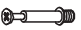




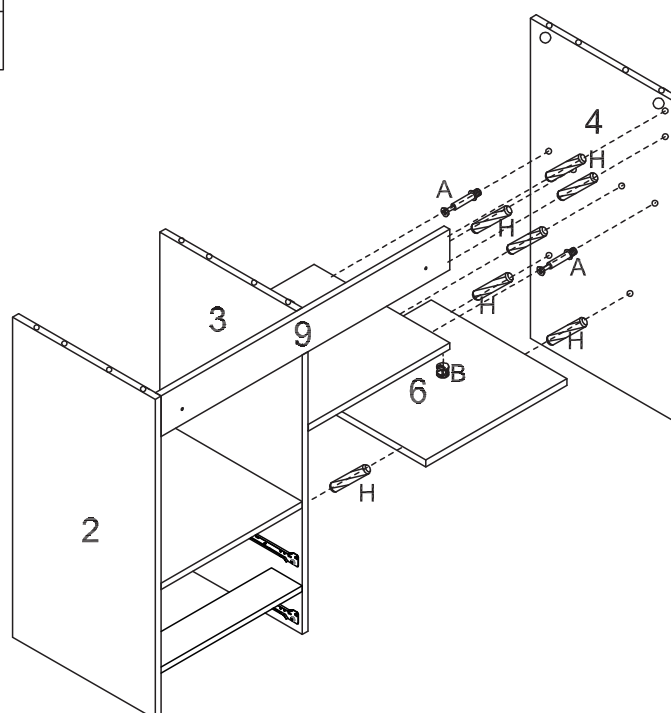
### Step 4

A x 2	B x 2	H x 8
		

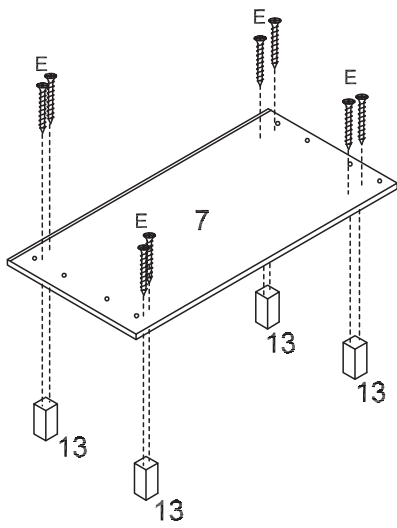
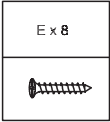


### Step 5

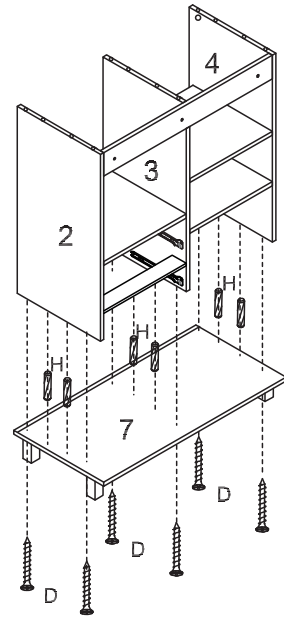
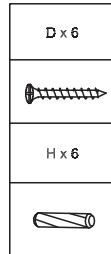
A x 2	B x 2	H x 8
		



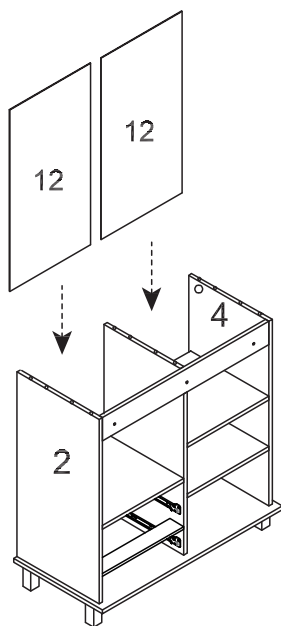
### Step 6



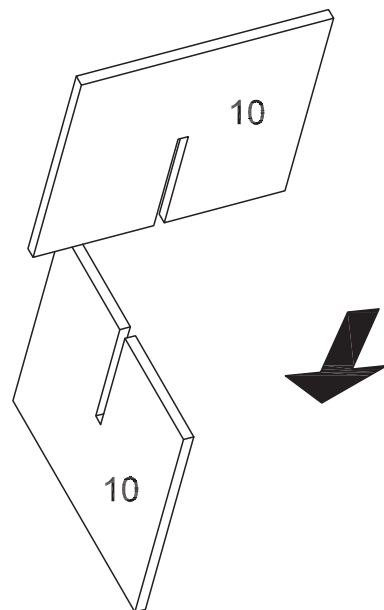
### Step 7



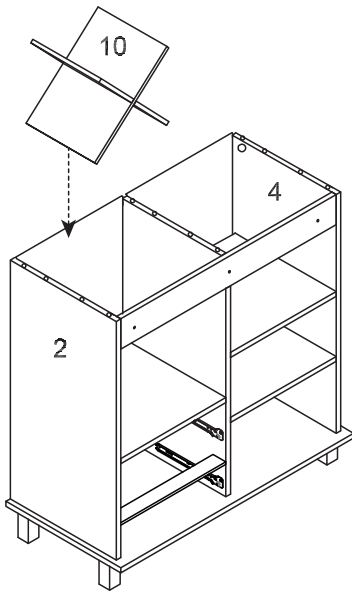
### Step 8



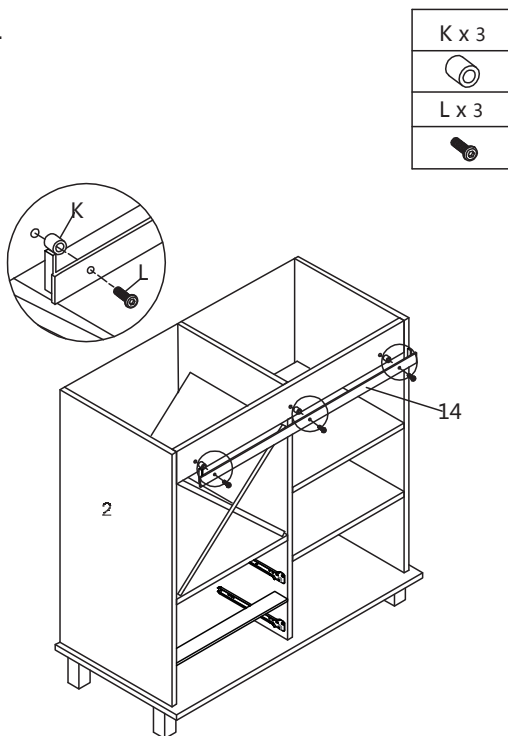
### Step 9








**Step 10**

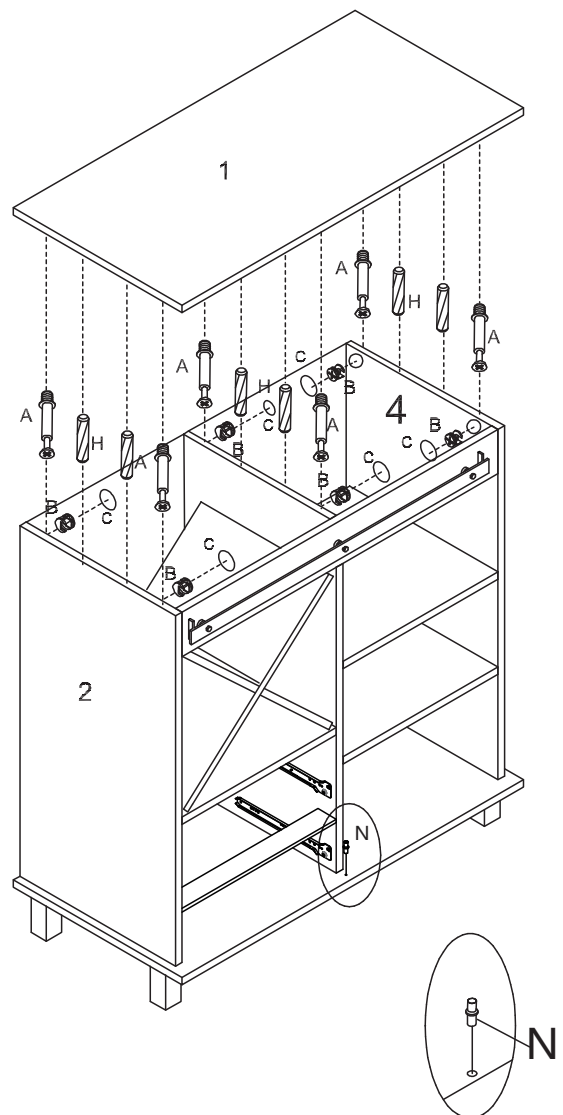


**Step 11**





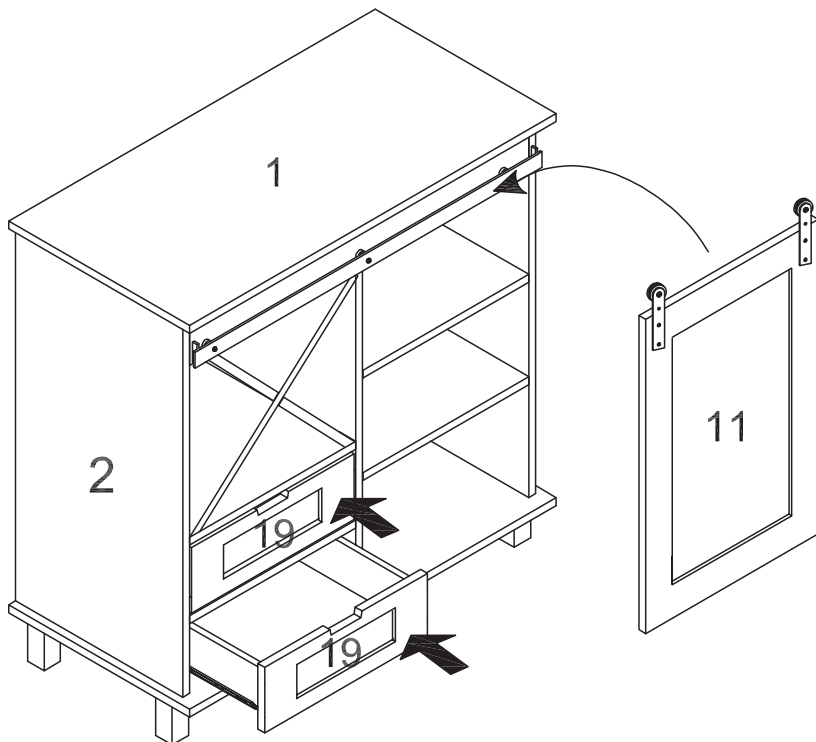
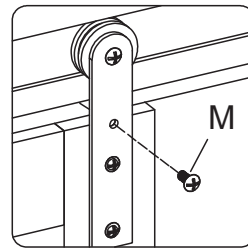
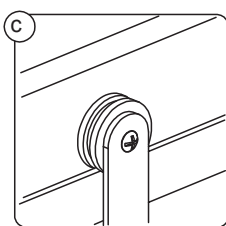
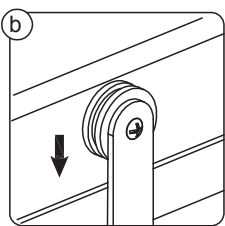
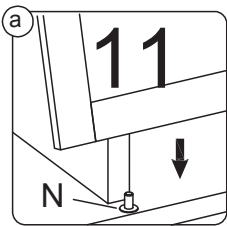
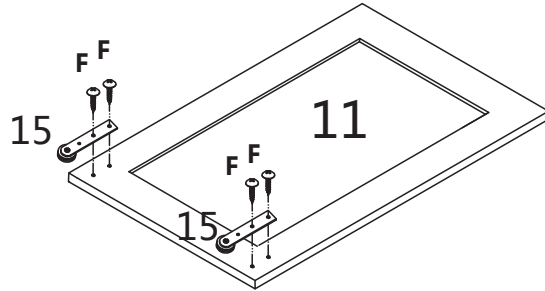
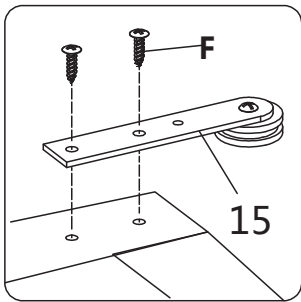
**Step 12**

A x 6
 x 6
B x 6
 x 6
H x 6
 x 6
C x 8
 x 8
N x 1
 x 1





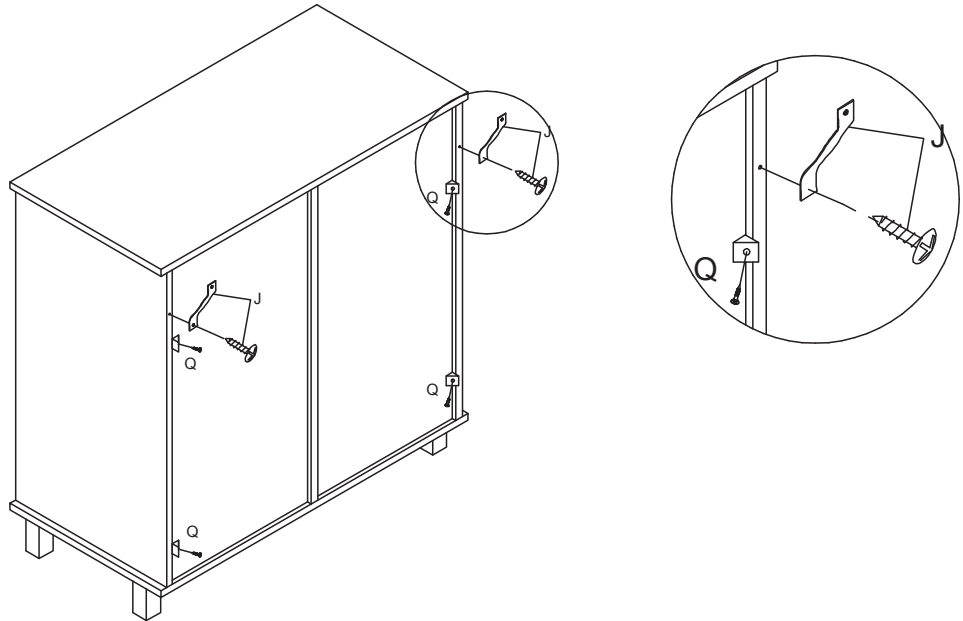
Step 13

F x 4

M x 2




### Step 14

J x 2

Q x 4




### Step 15

G x 2	I x 2
