

# ASSEMBLY INSTRUCTION



RSF 2-seater seat base with pull-out bed, 2 arms with Shelves back rest for 2R and USB ports, (Pillow and Back rest are stored in LC)

Left Side Chaise with Hidden Storage, (Lsf arm and Lsf back cushion are stored in 2-seater)

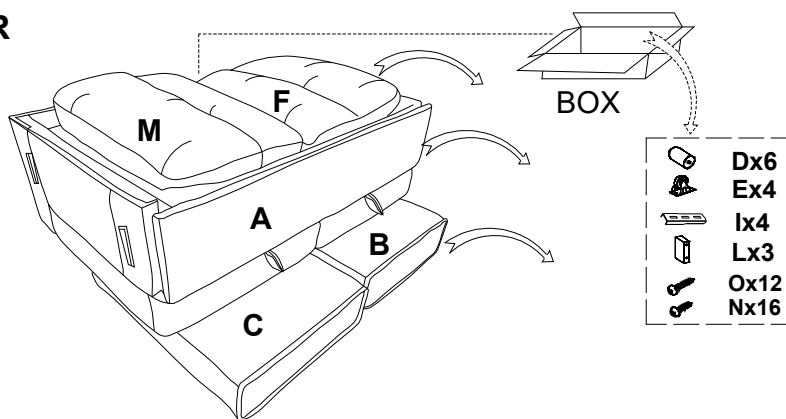
Legs and hardware are stored in the box, please take out for assembly.



NOTE: Do not use power tools for assembly. Power tools increase the risk of over tightening which lead to splitting or cracking the wood.

Location of KD parts

2R



## 2-SEATER (2R) PART LIST

| No. | Description                   | Diagram | Quantity |
|-----|-------------------------------|---------|----------|
| A   | POP-UP SLEEPER SEAT           |         | 1        |
| B   | LSF ARM (Arm for LC)          |         | 1        |
| C   | RSF ARM                       |         | 1        |
| D   | ROUND PLASTIC LEG 50x50x50mm  |         | 4        |
| E   | CASTOR                        |         | 4        |
| F   | BACK CUSHION RSF              |         | 1        |
| G   | PILLOW 18"x18" (Packed in LC) |         | 1        |
| H   | BACK REST (Packed in LC)      |         | 1        |
| I   | METAL BRACKET                 |         | 2        |

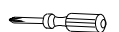
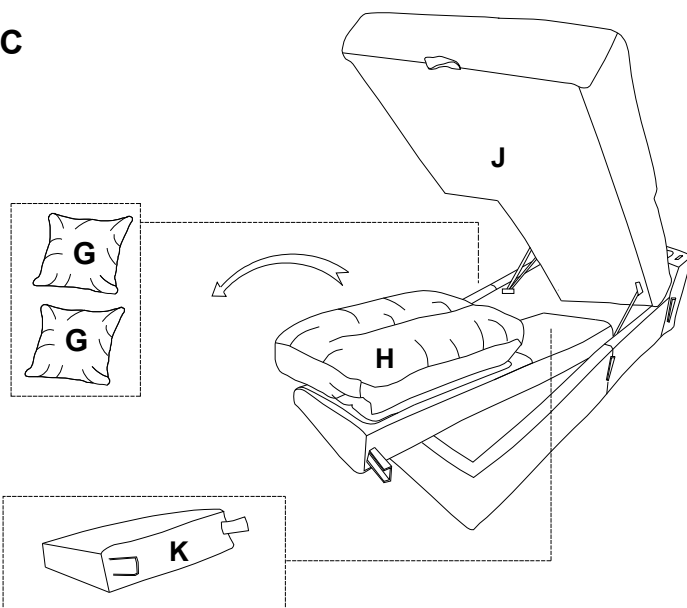
## CHAISE (LC) PART LIST

| No. | Description                                 | Diagram | Quantity |
|-----|---|---------|----------|
| J   | CHAISE SEAT                                 |         | 1        |
| K   | BACK REST                                   |         | 1        |
| L   | PLASTIC LEG 150x50x50mm (packed in 2R)      |         | 3        |
| M   | BACK CUSHION LSF (packed in 2R)             |         | 1        |
| I   | METAL BRACKET (packed in 2R)                |         | 2        |
| G   | PILLOW 18"x18"                              |         | 1        |
| D   | ROUND PLASTIC LEG 50x50x50mm (packed in 2R) |         | 2        |

## HARDWARE LIST :

| No. | Description | Diagram | Quantity |
|-----|-------------|---------|----------|
| O   | SCREW       | Ø8x45MM | 12       |
| N   | SCREW       | Ø8x25MM | 16       |

LC



Not Included

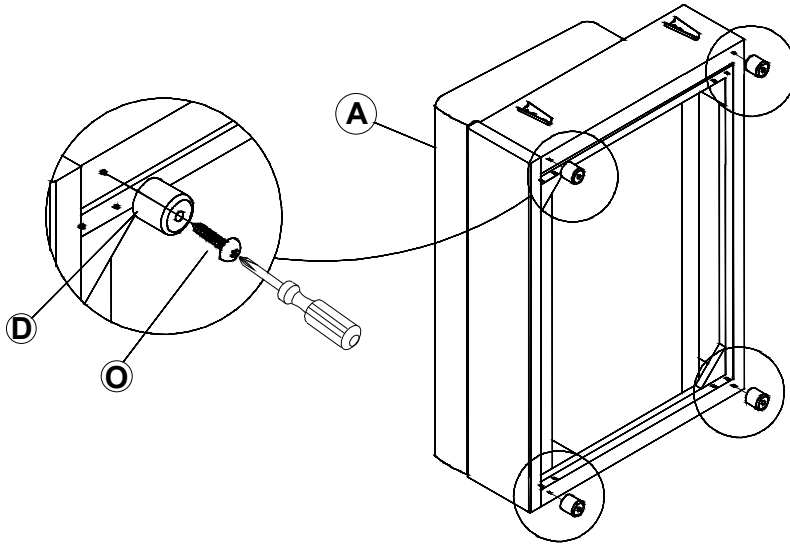
# ASSEMBLY INSTRUCTION



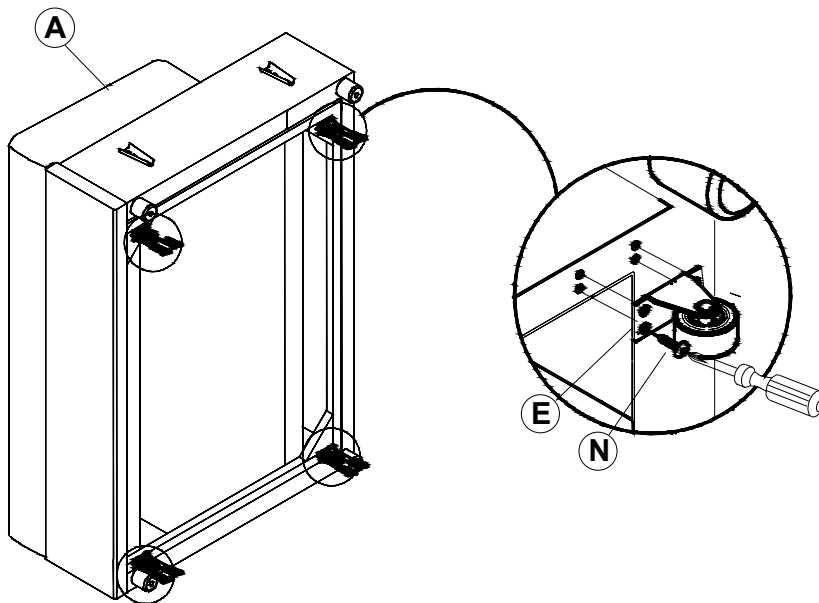
RSF 2-seater seat base with pull-out bed, 2 arms with Shelves back rest for 2R and USB ports, (Pillow and Back rest are stored in LC)

Left Side Chaise with Hidden Storage, (Lsf arm and Lsf back cushion are stored in 2-seater)

## Step 1



## Step 2



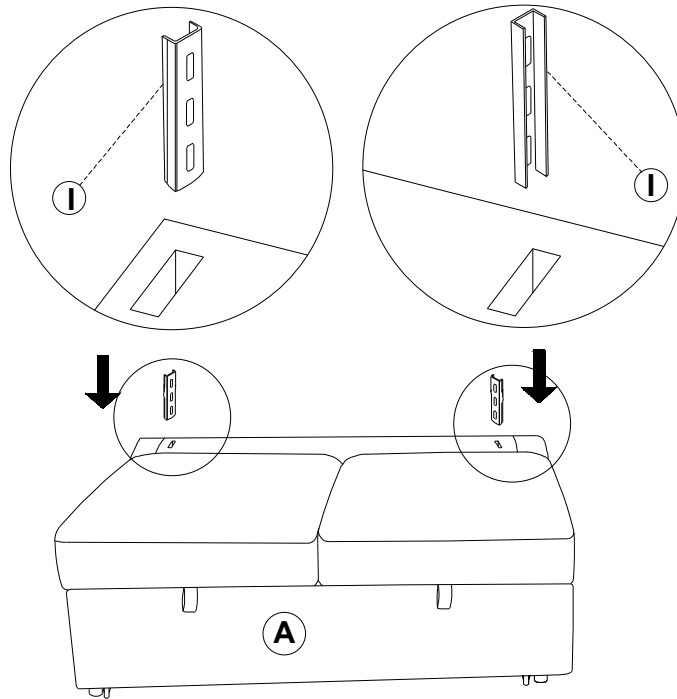
# ASSEMBLY INSTRUCTION



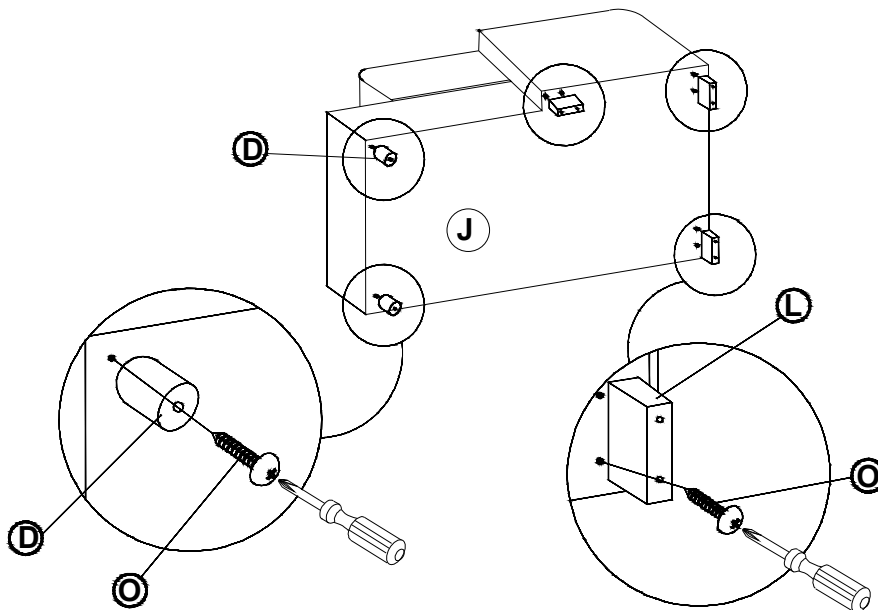
RSF 2-seater seat base with pull-out bed, 2 arms with Shelves back rest for 2R and USB ports, (Pillow and Back rest are stored in LC)

Left Side Chaise with Hidden Storage, (Lsf arm and Lsf back cushion are stored in 2-seater)

## Step 3



## Step 4



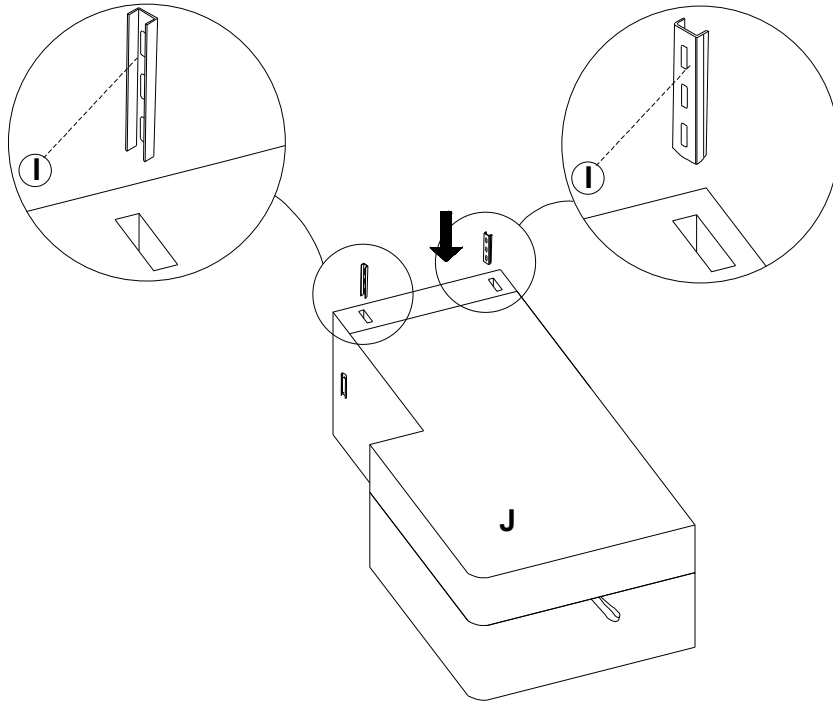
# ASSEMBLY INSTRUCTION



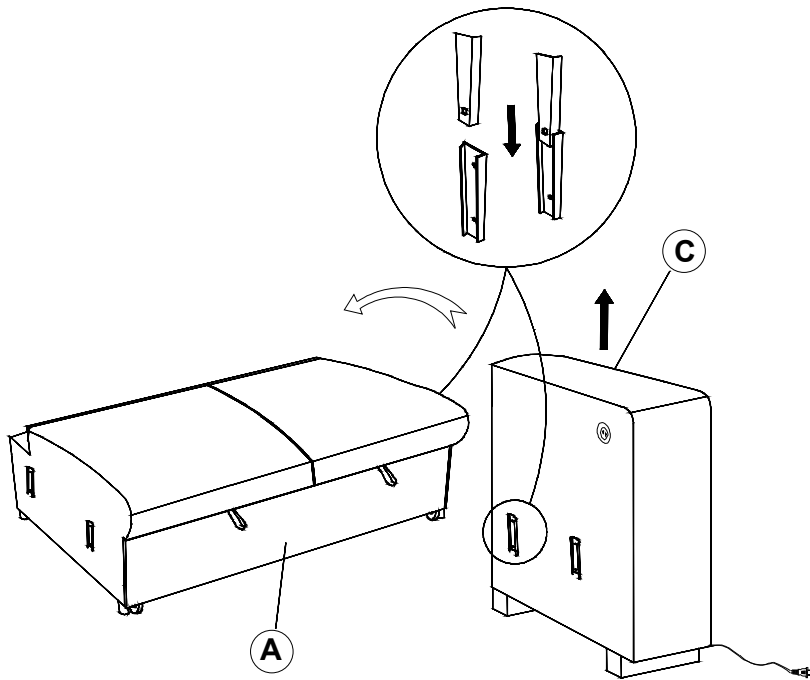
RSF 2-seater seat base with pull-out bed, 2 arms with Shelves back rest for 2R and USB ports, (Pillow and Back rest are stored in LC)

Left Side Chaise with Hidden Storage, (Lsf arm and Lsf back cushion are stored in 2-seater)

## Step 5



## Step 6



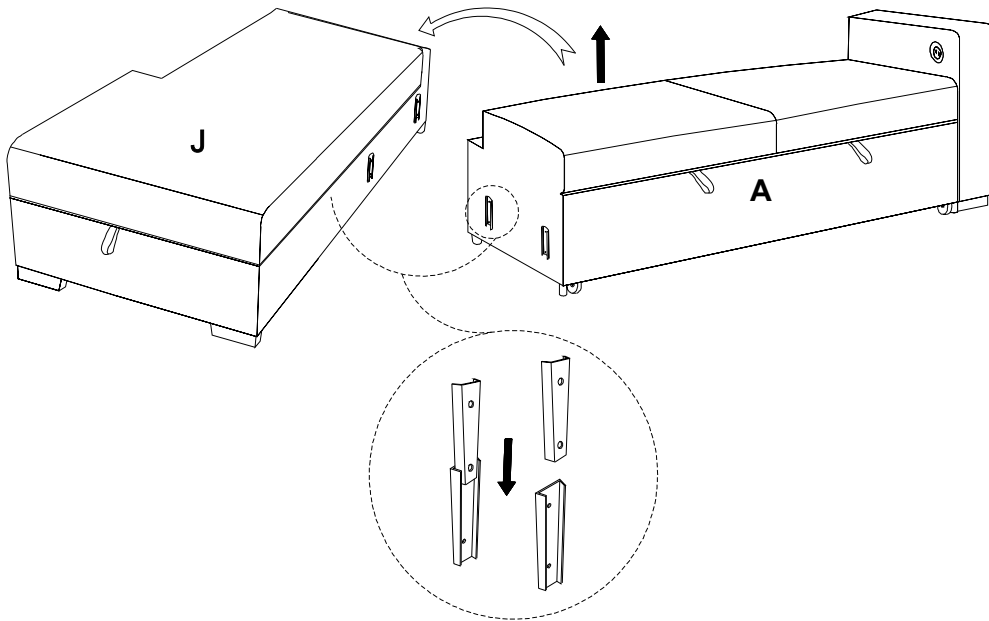
# ASSEMBLY INSTRUCTION



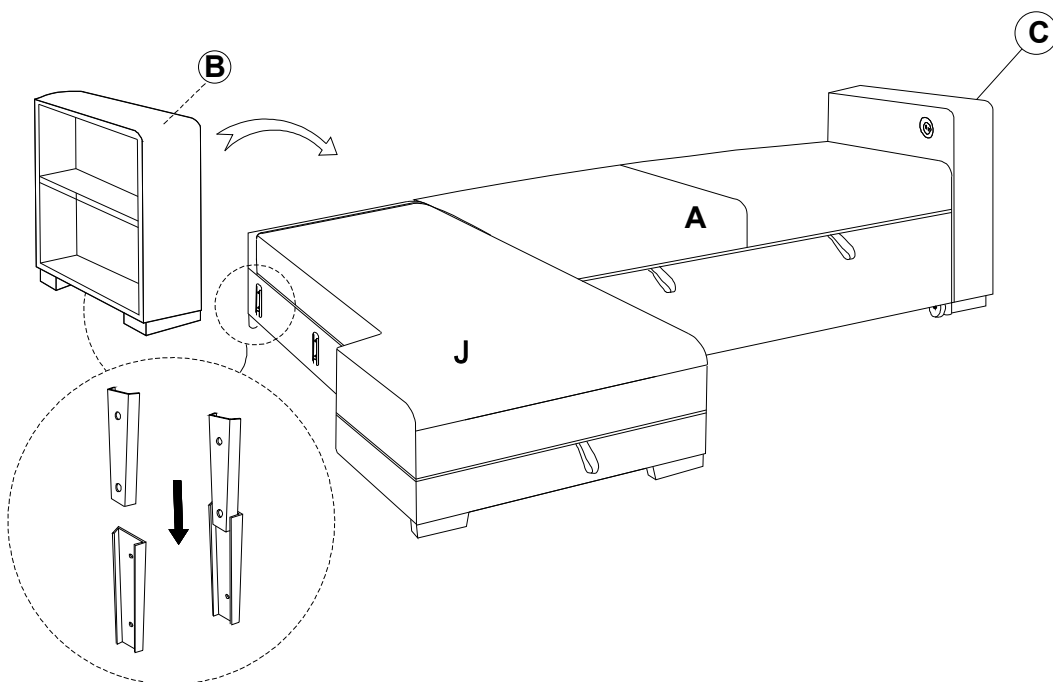
RSF 2-seater seat base with pull-out bed, 2 arms with Shelves back rest for 2R and USB ports, (Pillow and Back rest are stored in LC)

Left Side Chaise with Hidden Storage, (Lsf arm and Lsf back cushion are stored in 2-seater)

## Step 7



## Step 8



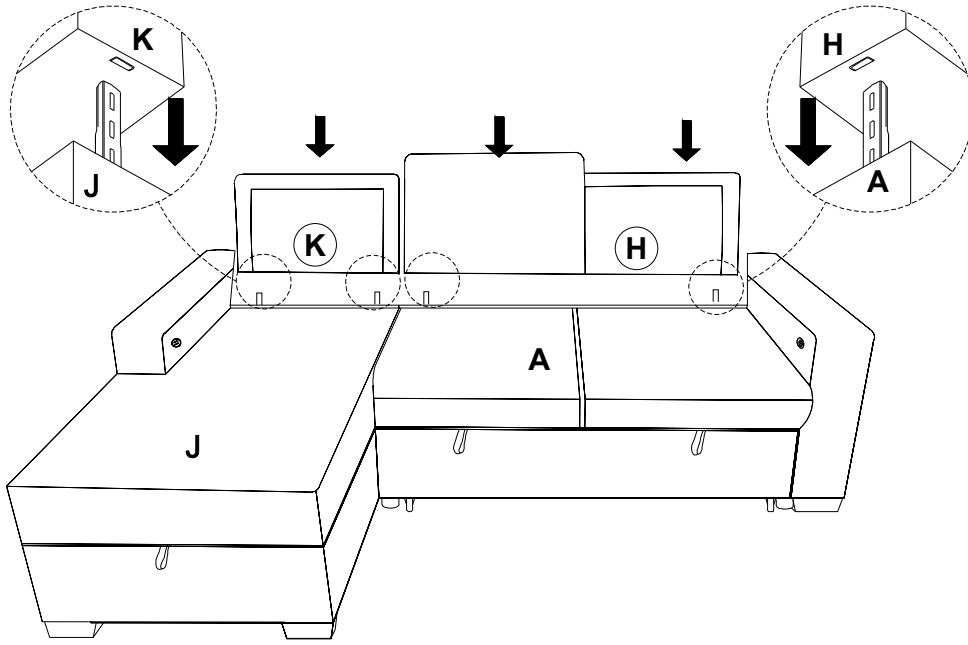
# ASSEMBLY INSTRUCTION



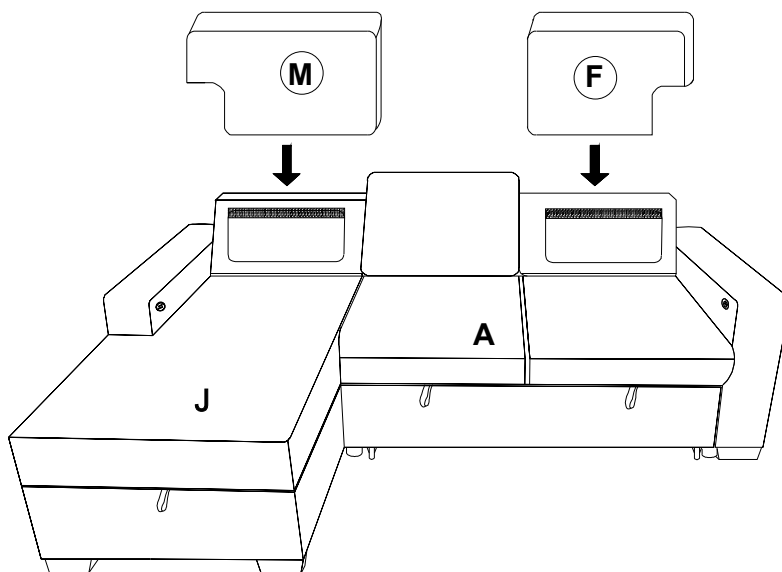
RSF 2-seater seat base with pull-out bed, 2 arms with Shelves back rest for 2R and USB ports, (Pillow and Back rest are stored in LC)

## Step 9

Left Side Chaise with Hidden Storage, (Lsf arm and Lsf back cushion are stored in 2-seater)



## Step 10



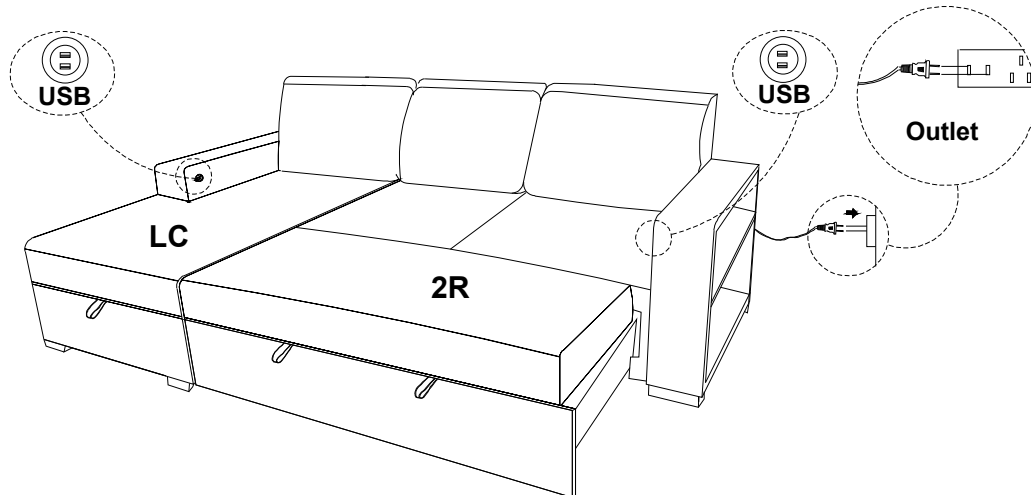
# ASSEMBLY INSTRUCTION



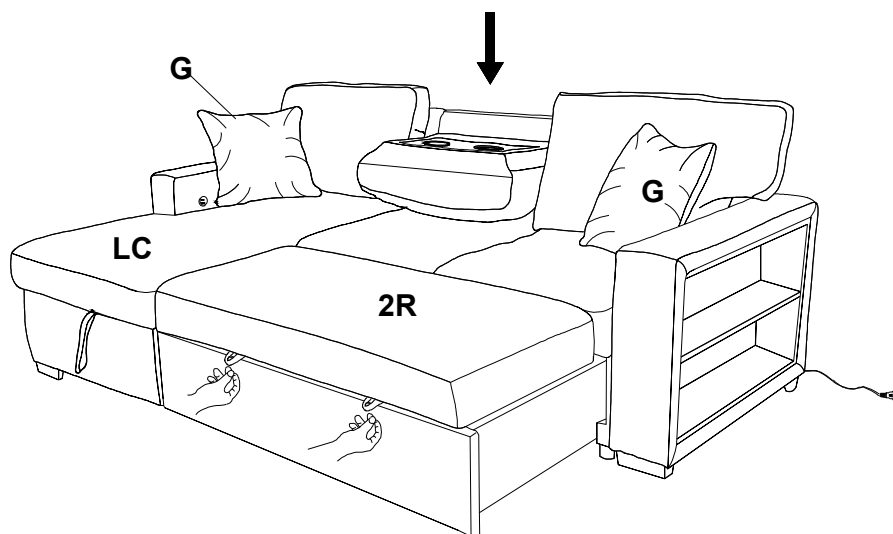
RSF 2-seater seat base with pull-out bed, 2 arms with Shelves back rest for 2R and USB ports, (Pillow and Back rest are stored in LC)

## Step 11

Left Side Chaise with Hidden Storage, (Lsf arm and Lsf back cushion are stored in 2-seater)



## Step 12



## Care Instruction for Boucle Furniture:

In order to maintain the original appearance of your Boucle furniture, please follow below simple care procedures:

- Avoid exposing furniture directly to sunlight or heating and air conditioning outlets. Sunlight and or exposure to heating and air conditioning outlets will fade/damage Boucle.
- Vacuum or wipe with a soft cloth to remove dust.
- Hardware may loosen over time. Periodically check to make sure all connection are tight, re-tighten if necessary.



For item use on wooden floor, hard surfaces or carpets, it is recommended to install protective pads under all legs and supports to avoid/prevent from damages/scratches and discoloration.



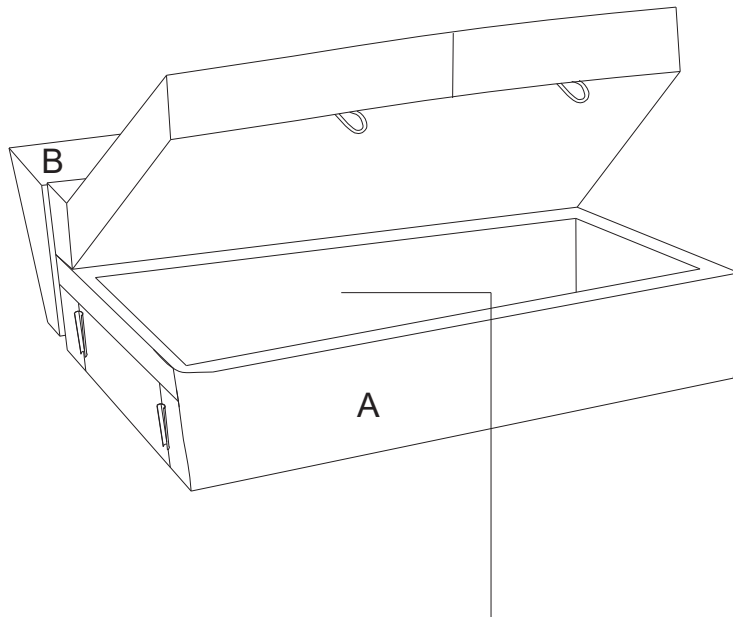
# ASSEMBLY INSTRUCTION

## Armless 2-seater with Hidden storage



Legs and hardware are stored in the box, please take out for assembly.

NOTE: Do not use power tools for assembly. Power tools increase the risk of over tightening which lead to splitting or cracking the wood.



### PART LIST

| NO. | Description                     | Diagram | Quantity |
|-----|---------------------------------|---------|----------|
| A   | SEAT                            |         | 1        |
| B   | BACK REST                       |         | 1        |
| C   | BACK CUSHION                    |         | 1        |
| D   | MALE BRACKET                    |         | 2        |
| E   | ROUND PLASTIC LEG<br>50x50x50mm |         | 4        |

### HARDWARE LIST

| NO. | Description | Diagram | Size    | Quantity |
|-----|-------------|---------|---------|----------|
| W   | SCREW       |         | Ø8x45mm | 4        |



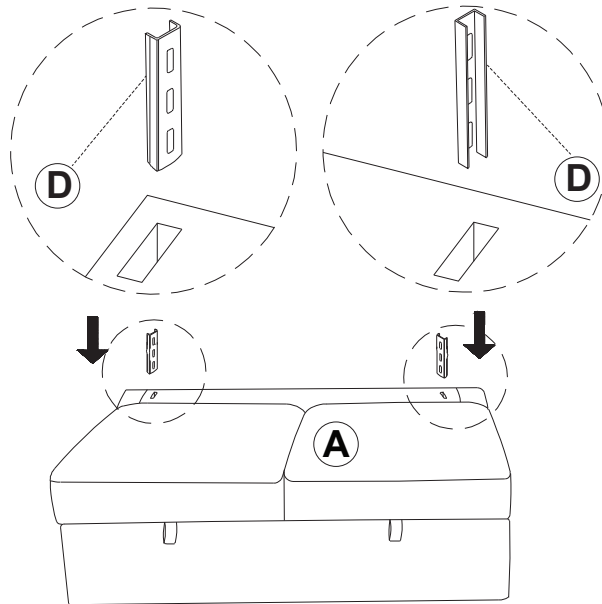
|  |     |
|--|-----|
|  | Cx1 |
|  | BOX |
|  | Ex4 |
|  | Dx2 |
|  | Wx4 |



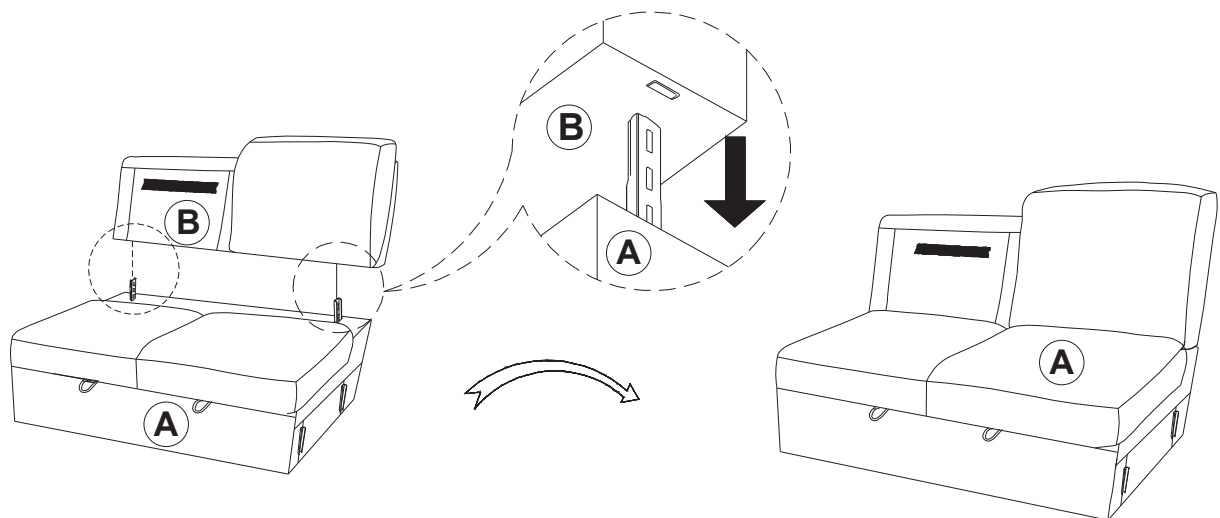
# ASSEMBLY INSTRUCTION

## Armless 2-seater with Hidden storage

Step 1:



Step 2:

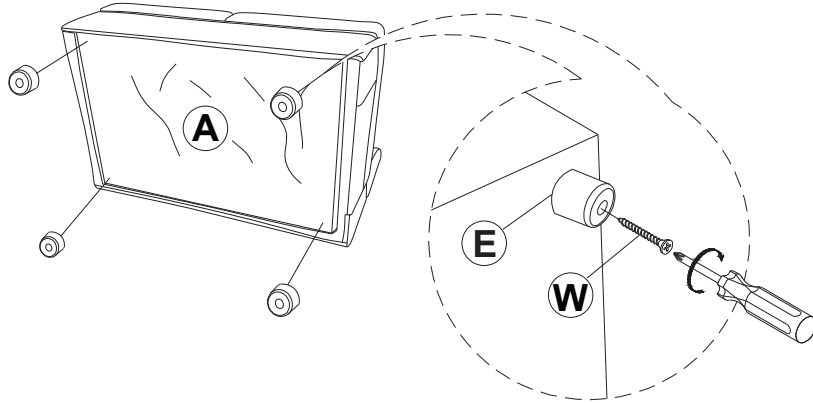




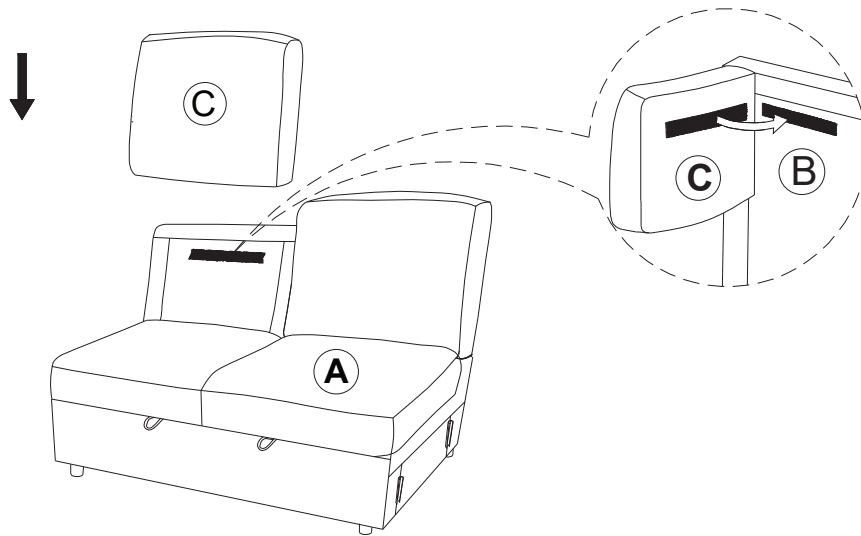
# ASSEMBLY INSTRUCTION

## Armless 2-seater with Hidden storage

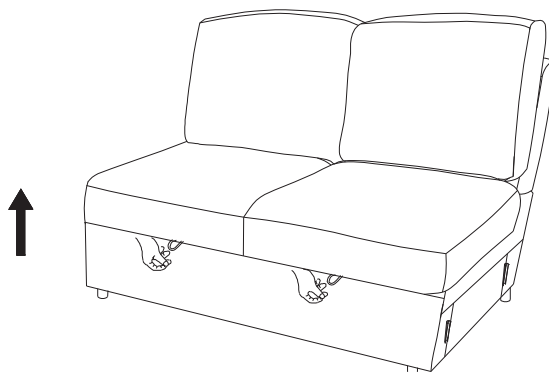
Step 3:



Step 4:



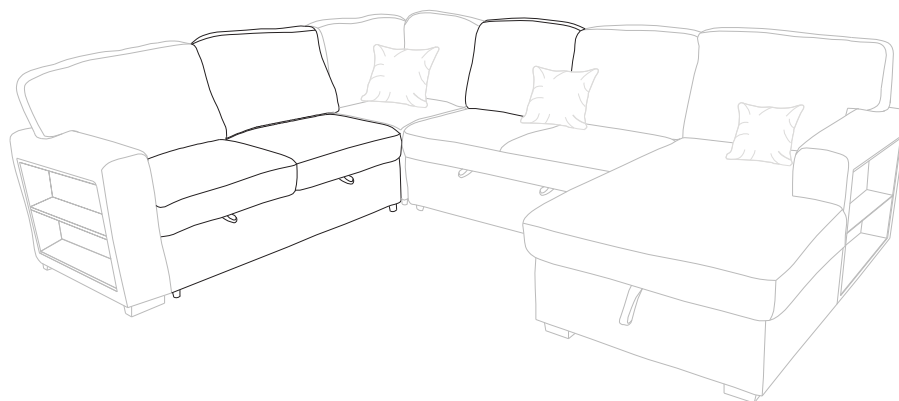
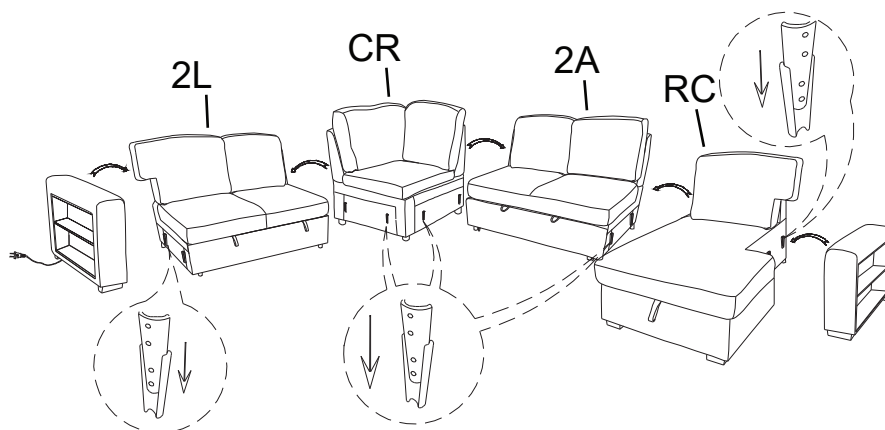
Step 5:





# ASSEMBLY INSTRUCTION


## Armless 2-seater with Hidden storage



### Care Instruction for Boucle Furniture:

In order to maintain the original appearance of your Boucle furniture, please follow below simple care procedures:

- • Avoid exposing furniture directly to sunlight or heating and air conditioning outlets. Sunlight and or exposure to heating and air conditioning outlets will fade/damage Boucle.
- • Vacuum or wipe with a soft cloth to remove dust.
- • Hardware may loosen over time. Periodically check to make sure all connection are tight, Re-tighten if necessary.

 For item use on wooden floor, hard surfaces or carpets, it is recommended to install protective pads under all legs and supports to avoid/prevent from damages/scratches and discoloration.