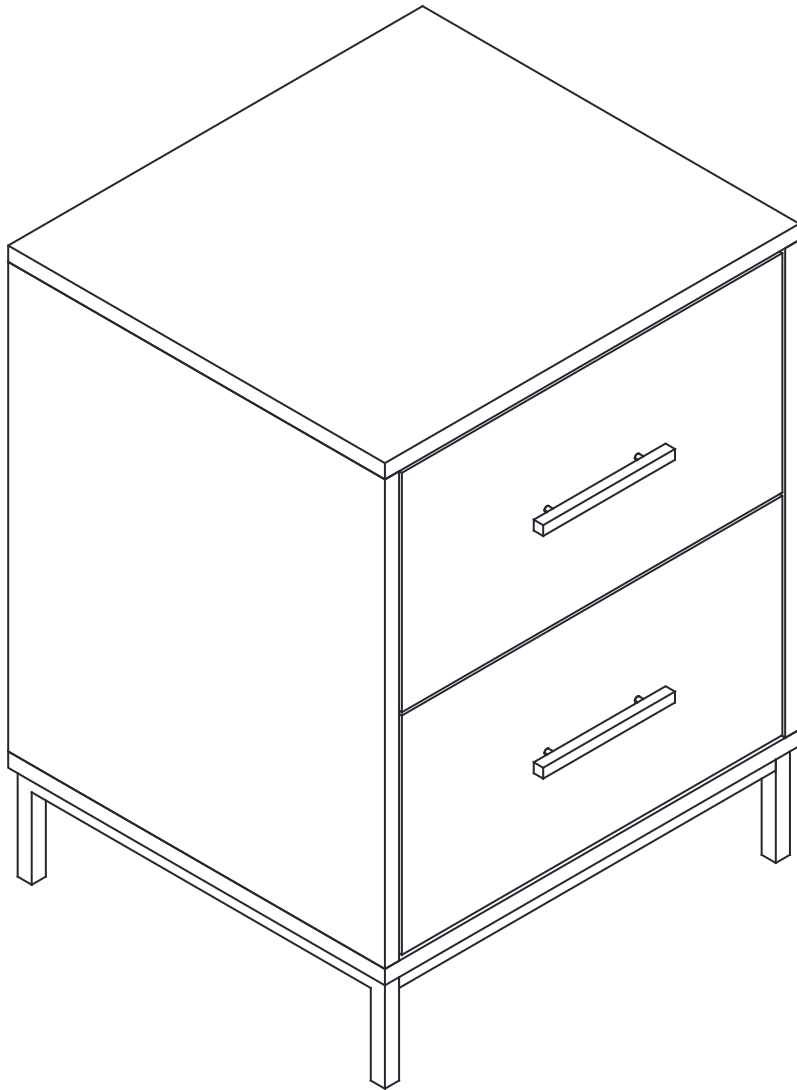


# Instruction ~~TABLE~~ ~~TABLE~~ TABLE



# CONTENTS

---

Safety and care advice	1
Components	2
Assembly instructions	5
Copyright	14

---

# ⚠ SAFETY AND CARE ADVICE ⚠

---

PLEASE READ THESE INSTRUCTIONS CAREFULLY AND KEEP FOR FUTURE REFERENCE

Warning: Please lift with care (12.6kg).

·Check you have all the components and tools listed on pages 2 and 3.

·Remove all fittings from the plastic bags and separate them into their groups.

·Keep children and animals away from the work area, small parts could choke if swallowed.

·Make sure you have enough space to layout the parts before starting.

·Do not stand or put weight on the product, this could cause damage.

·Assemble the item as close to its final position (in the same room) as possible.

·Assemble on a soft level surface to avoid damaging the unit or your floor (use opened out unit carton).



·We do not recommend the use of power drill/drivers for inserting screws, as this could damage the unit. Only use hand screwdrivers.

·Safety note: If there is any chance of this unit being pulled over by children etc. it is recommended that the unit is secured to a wall using suitable fixings .

·Dispose of all packaging carefully and responsibly.

## CARE AND MAINTENANCE

---

·Only clean using a damp cloth and mild detergent, do not use bleach or abrasive cleaners.

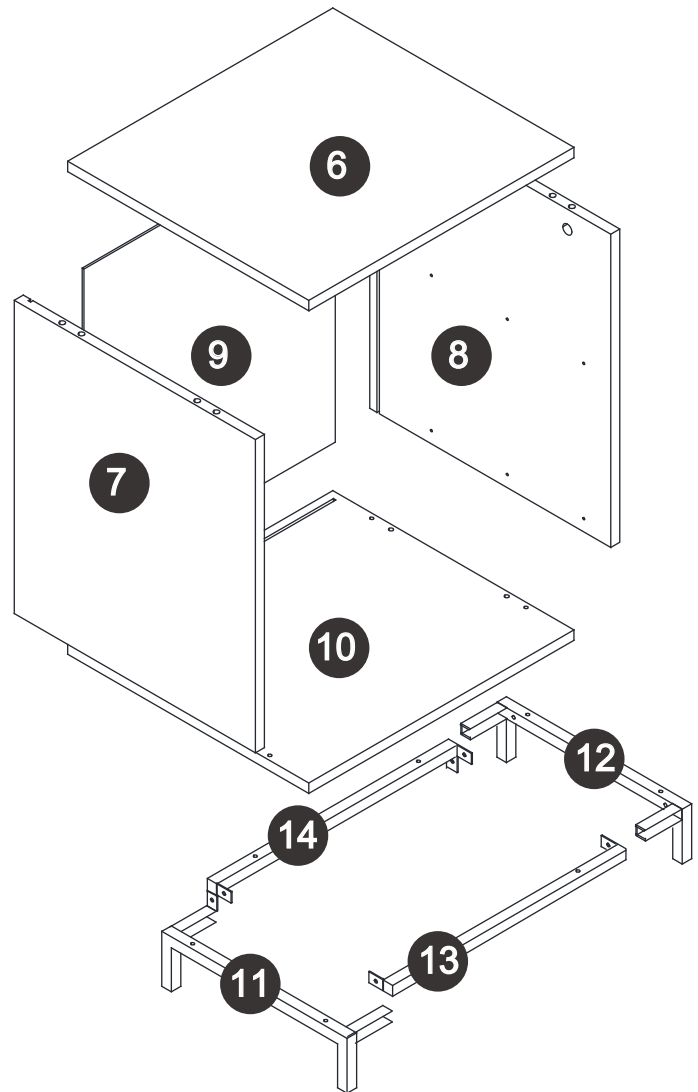
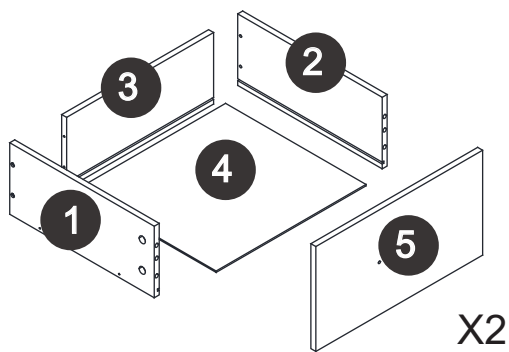
·From time to time check that there are no loose screws on this unit.

·This product should not be discarded with household waste. Take to your local authority waste disposal center.

Note : If required the next page can be cut out and used as reference throughout the assembly. Keep this page with these instructions for future reference

# COMPONENTS

Ensure the following components are in the box before proceeding with assembly:



## PANEL LIST

1	Drawer Left Side Panel	x2	11	Left Side Metal Tube	x1
2	Drawer Right Side Panel	x2	12	Right Side Metal Tube	x1
3	Drawer Back Panel	x2	13	Front Metal Tube	x1
4	Drawer Base Panel	x2	14	Back Metal Tube	x1
5	Drawer Front Panel	x2			
6	Top Panel	x1			
7	Left Side Panel	x1			
8	Right Side Panel	x1			
9	Back Panel	x1			
10	Bottom Panel	x1			

# COMPONENTS — FITTINGS

Please check you have all the fittings listed below:

A



Peg M6\*35mm x12

B



Lock M15\*10mm x12

C



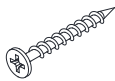
Dowel M6\*30mm x12

D



Screw M3\*12mm x24

E



Screw M4\*35mm x12

F



Bolt M6\*27mm x4

G



Rear Panel Hook x4

H



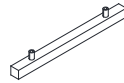
Screw M3\*16mm x4

I



Bolt M4\*16mm x4

J



Handle x2

K



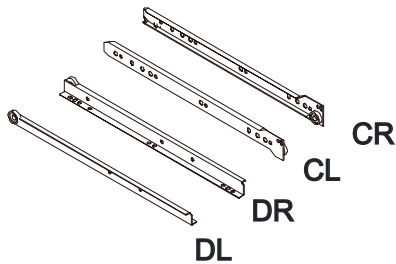
Allen Key x1

L



Bolt M6\*10mm x14

M



Drawer Runner x2

N

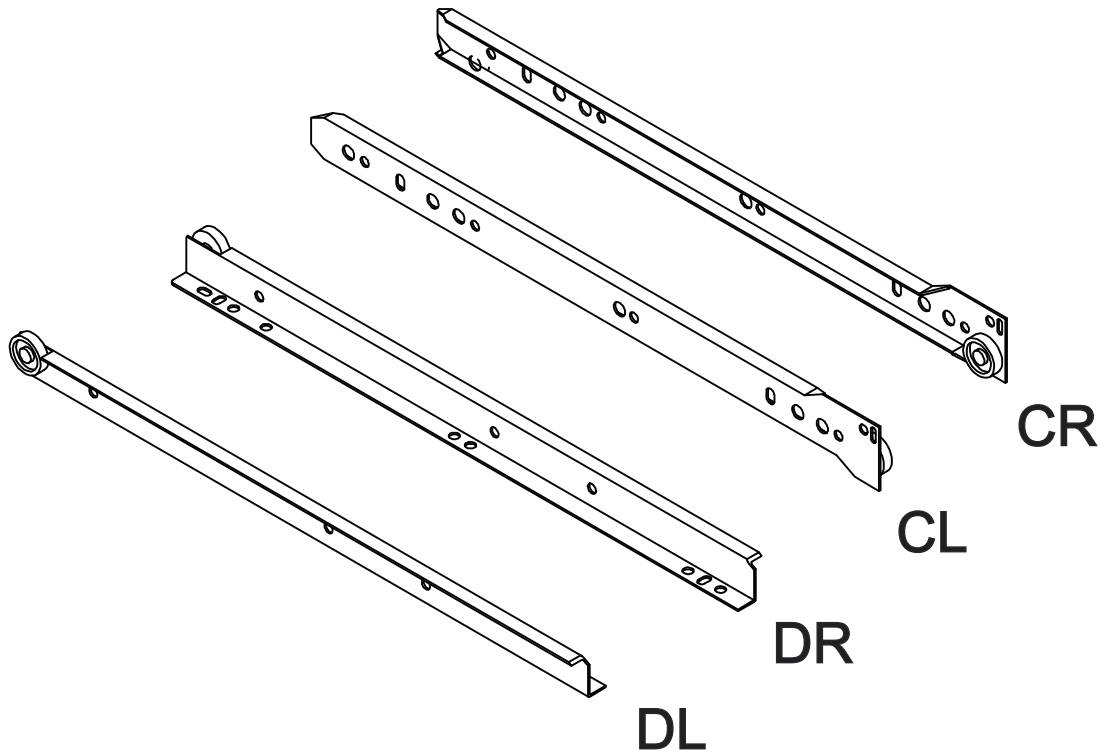


Screw M4\*28mm x4

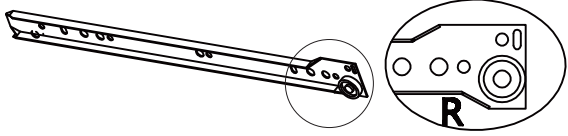
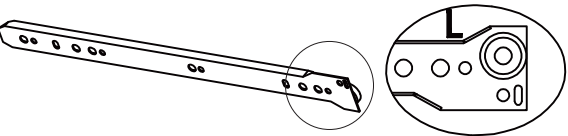
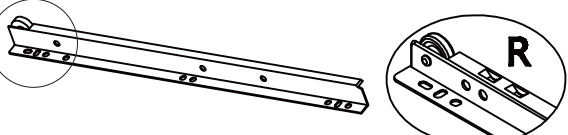
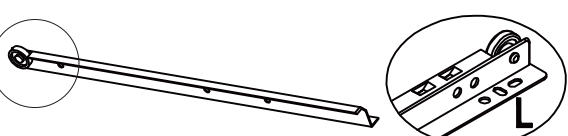


# DRAWER RUNNER INSTRUCTION

⚠ IMPORTANT - Please read carefully.  
1 pair of drawer runner includes 4 pieces.

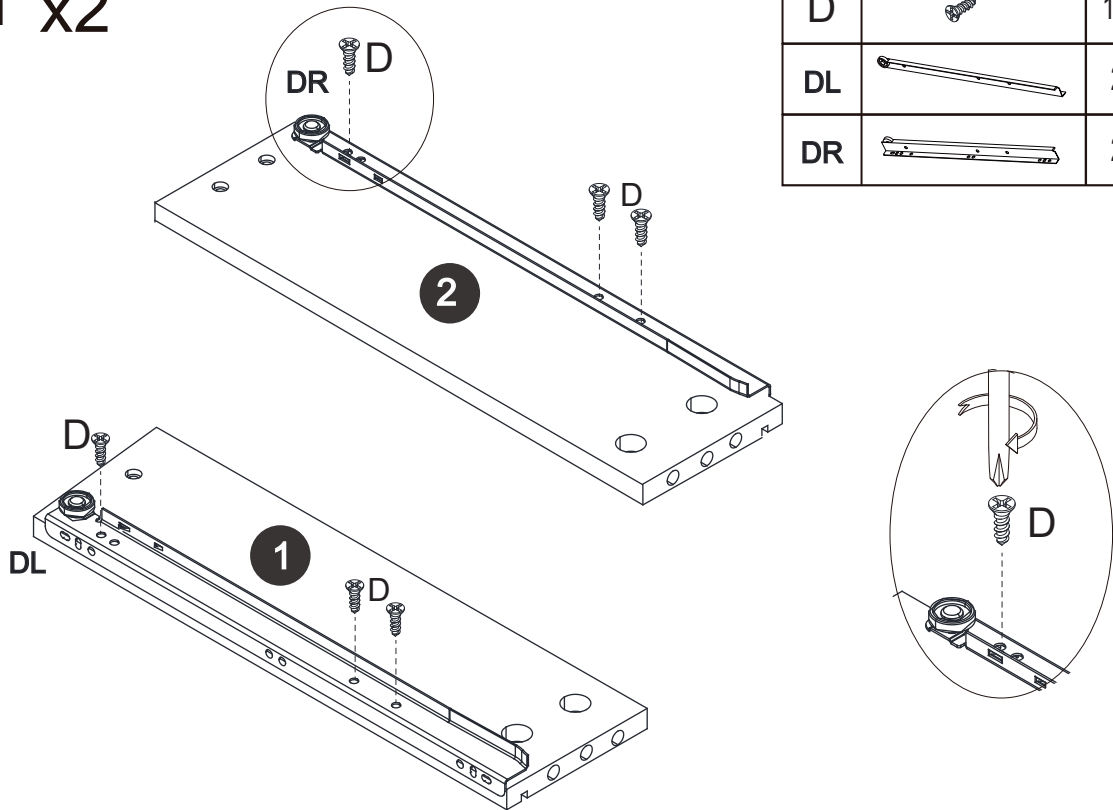


Fittings (not to scale)

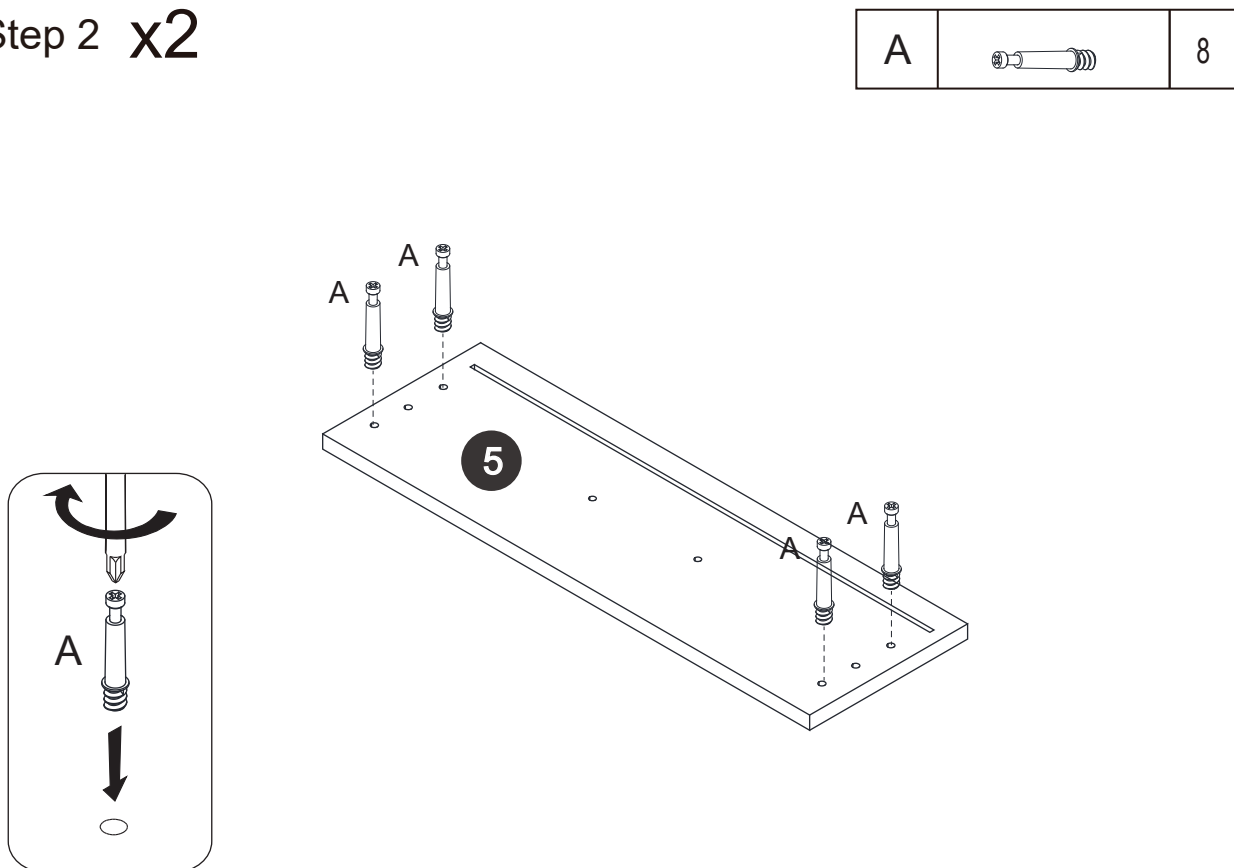
No.	Description	Qty	
<b>CR</b>	Outer Drawer Runner - Right	2	
<b>CL</b>	Outer Drawer Runner - Left	2	
<b>DR</b>	Inner Drawer Runner - Right	2	
<b>DL</b>	Inner Drawer Runner - Left	2	

# ASSEMBLY INSTRUCTIONS

Step 1 x2




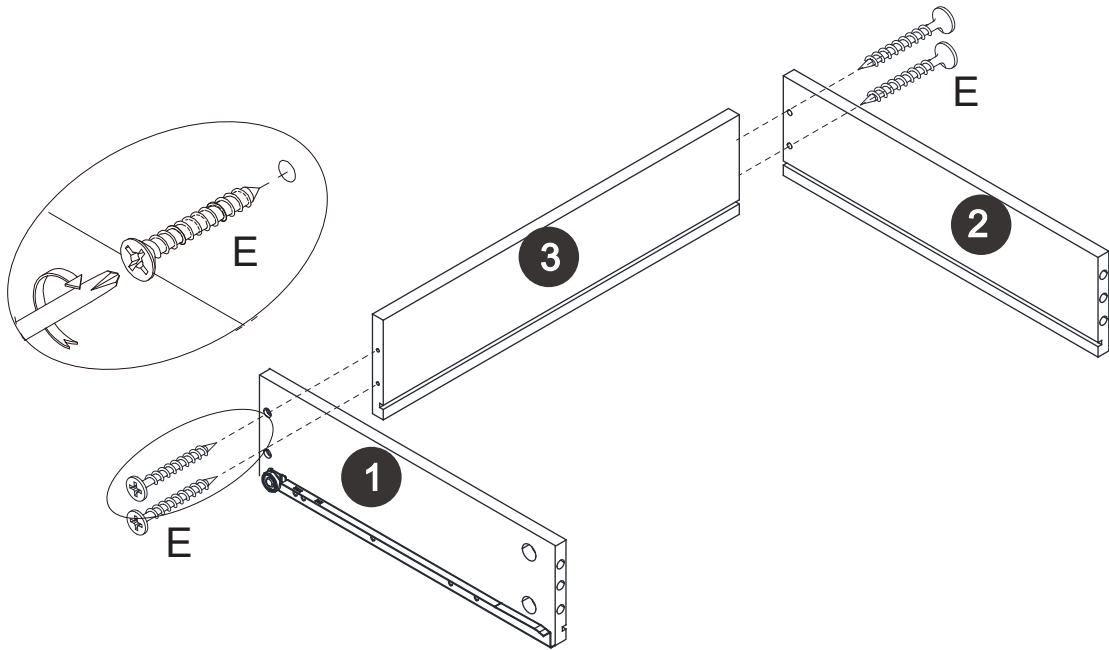
Step 2 x2







# ASSEMBLY INSTRUCTIONS

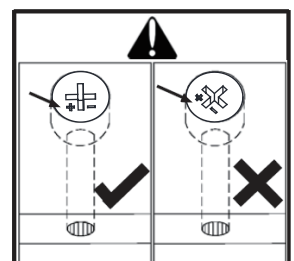
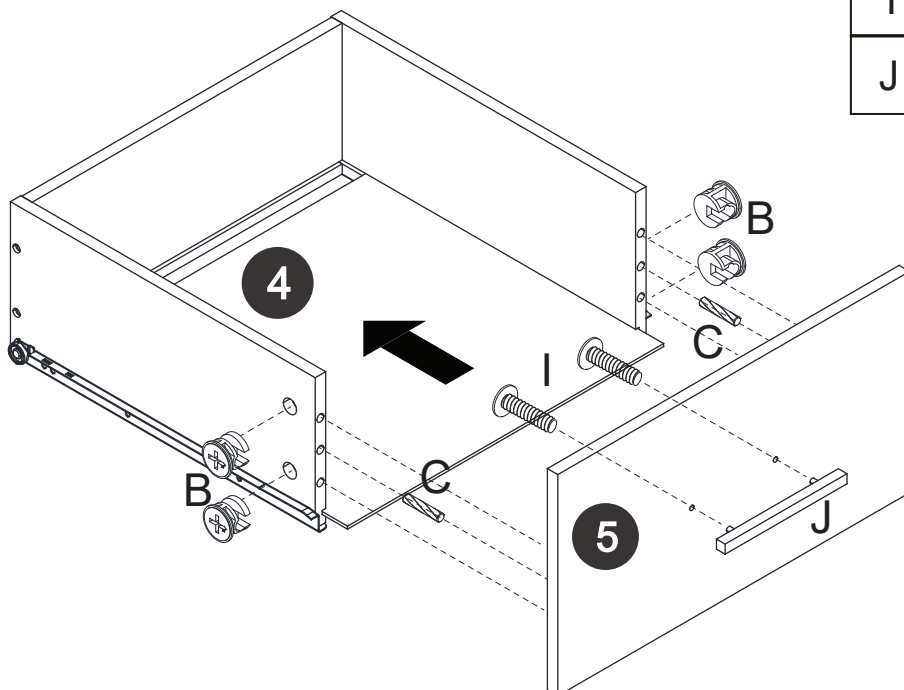
Step 3 **x2**

E		8
---	---	---



Step 4 **x2**




B		8
C		4
I		4
J		2

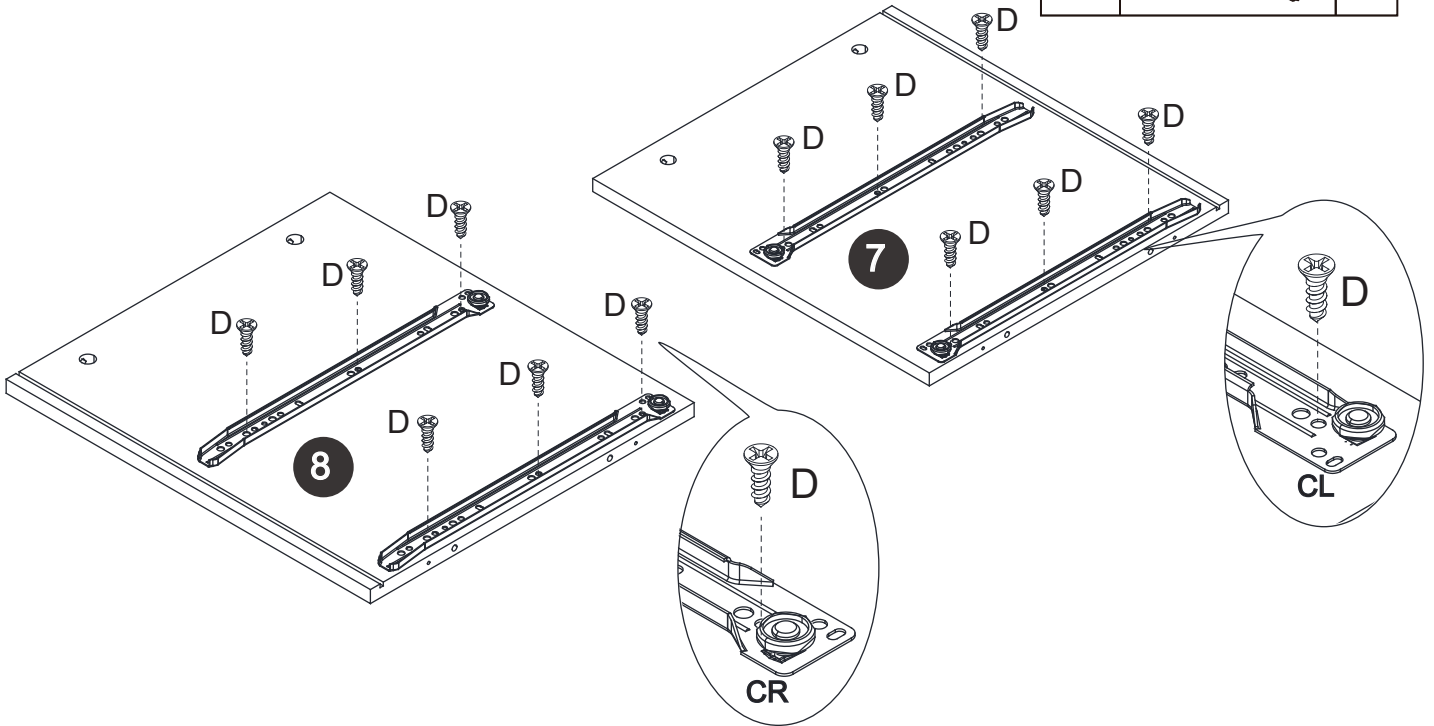





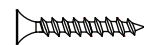
# ASSEMBLY INSTRUCTIONS

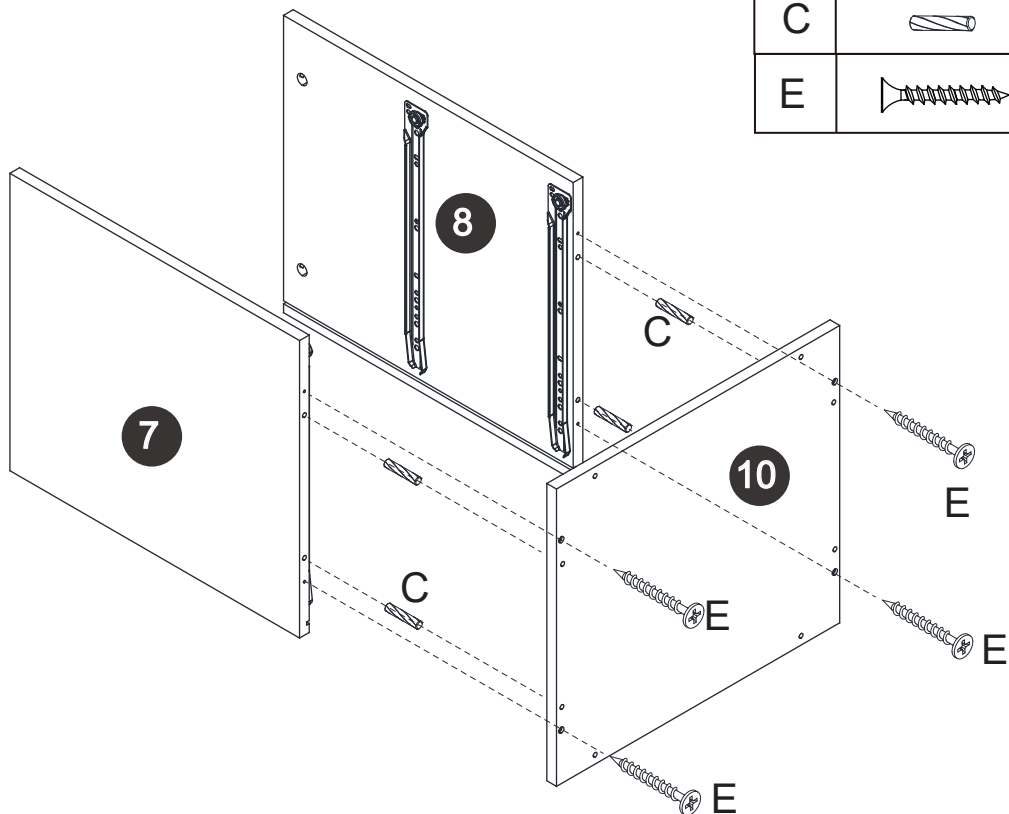
Step 5

D		12
CL		2
CR		2




Step 6

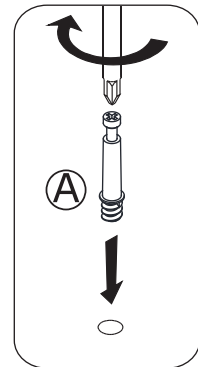
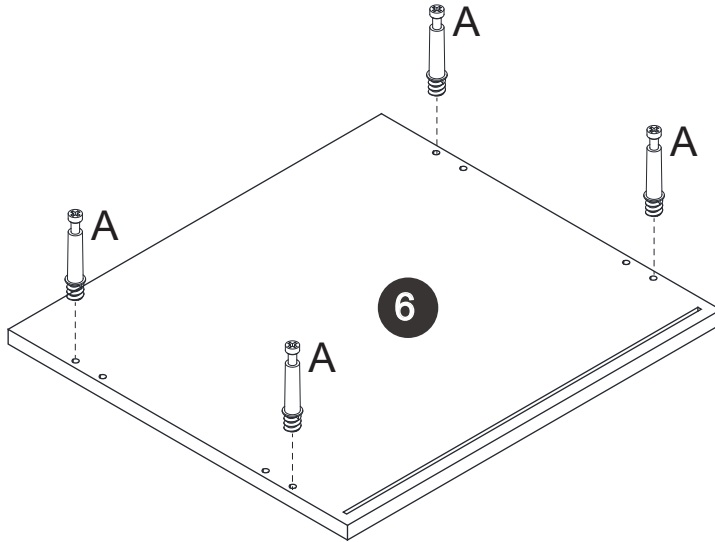
C		4
E		4





# ASSEMBLY INSTRUCTIONS

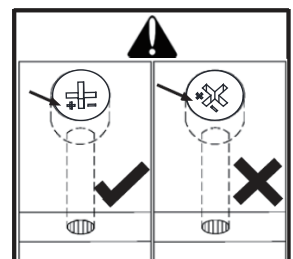
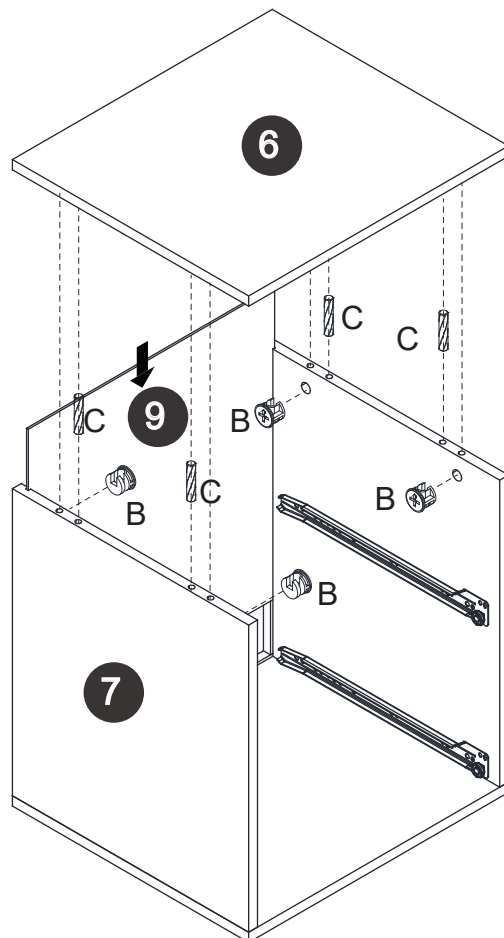
Step 7

A		4
---	---	---




Step 8

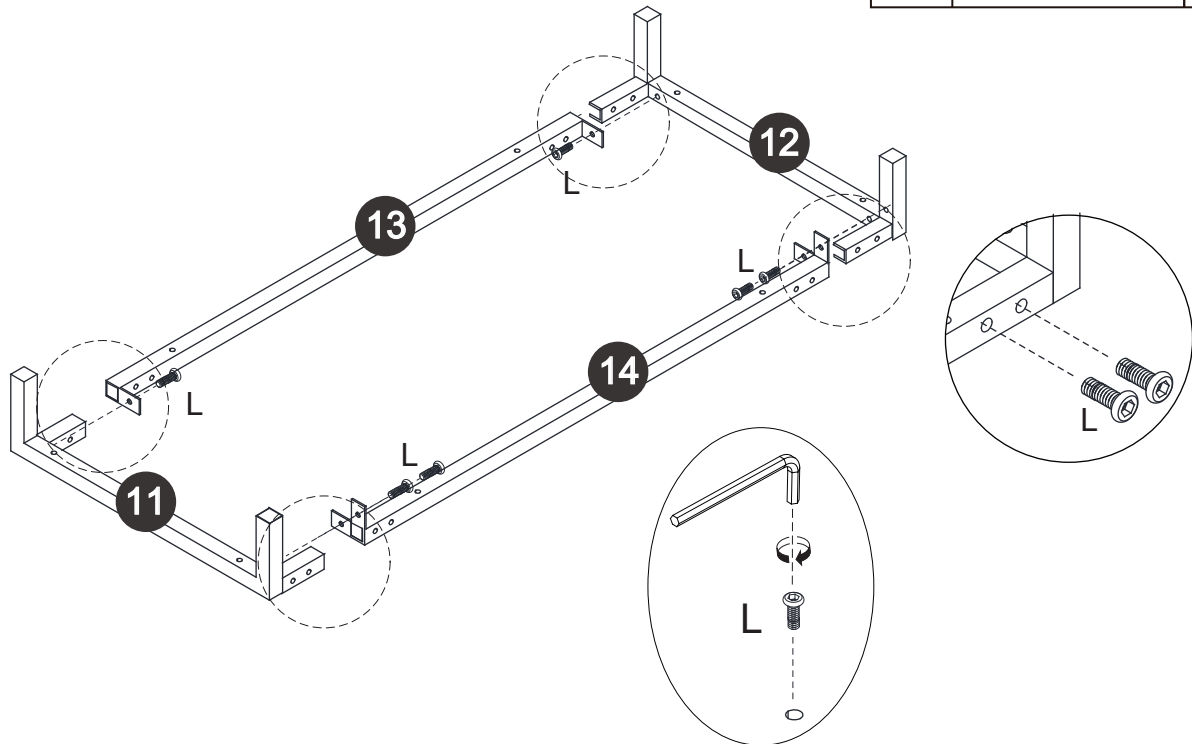
C		4
B		4





# ASSEMBLY INSTRUCTIONS

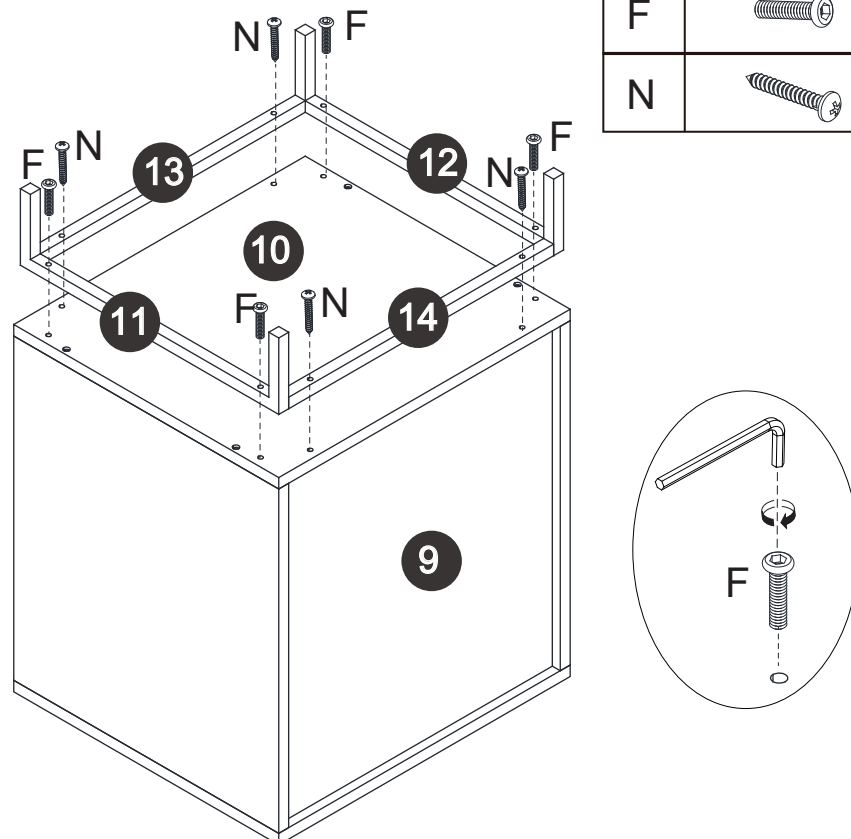
Step 9

L		14
---	---	----





Step 10

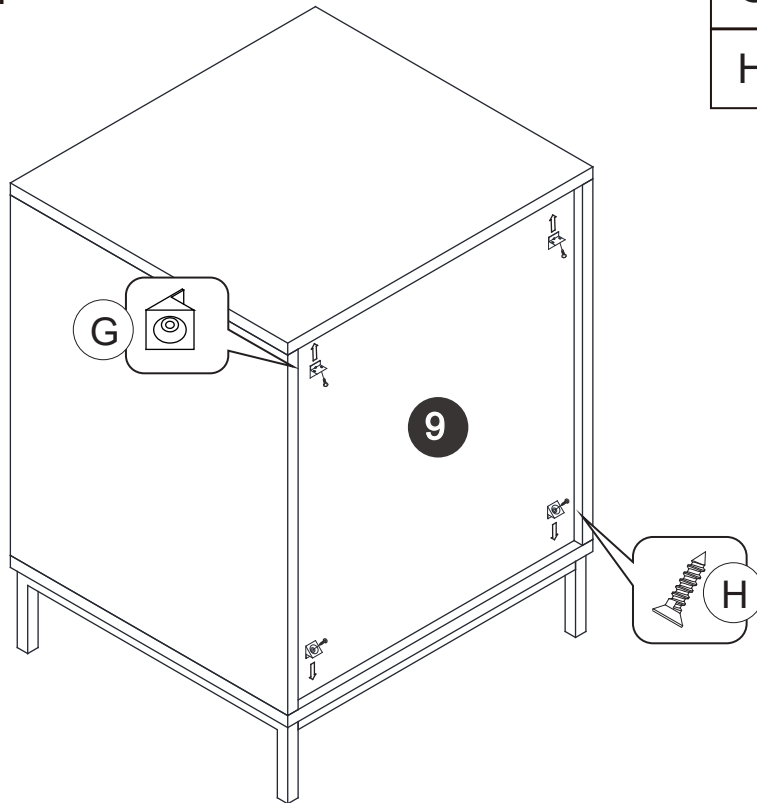
F		4
N		4



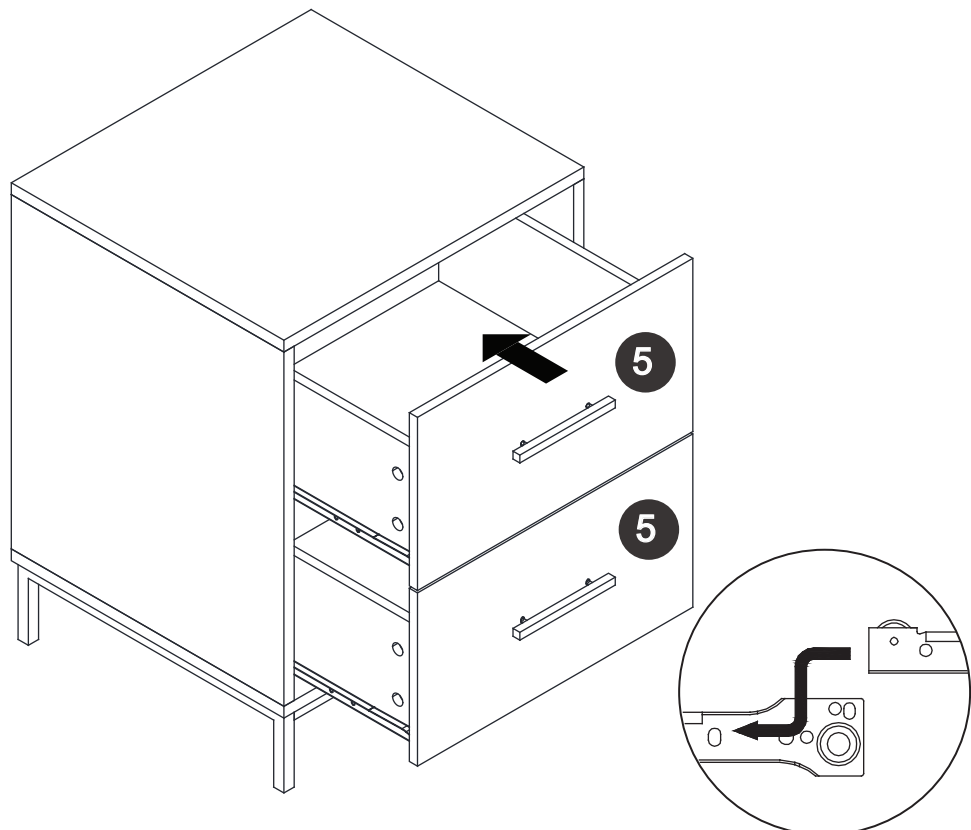
# ASSEMBLY INSTRUCTIONS

Step 11

G		4
H		4



Step 12



# IF YOU FIND A DEFECTIVE PART

---

We fully stock all parts and components. Any defective part can be quickly replaced. Take note of the defective part number in manual and we will arrange a quick replacement.