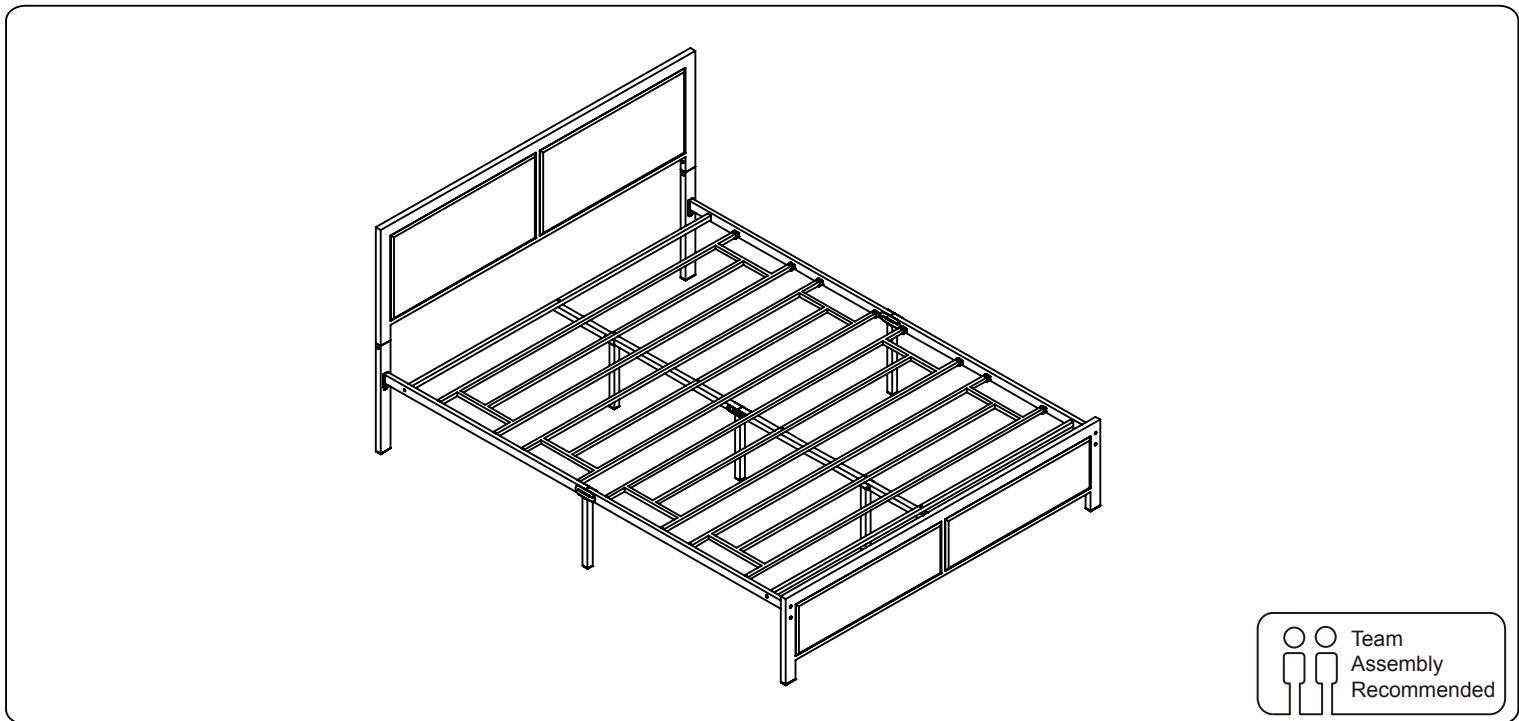


# Bed Frame Installation Manual



**Componets** ▶

**Screws & Tools** ▶

(A)		M8x40mm	x4
(B)		M6x50mm	x2
(C)		M6x35mm	x8
(D)		M6x20mm	x16
(E)		M6x15mm	x10
(L)		M8	x8
(M)		M6x20mm	x4
(N)		M4	x2

Check all the components & screws before assembly.

**1**

Note: For easy setup intention, do not tighten screws during the installation process

(E) M6x15 6pcs (N) L-Bracket

**2**

(A) M8x40 4pcs (E) M6x15 4pcs  
(L) M8 8pcs (M) M6x20 4pcs  
(N) L-Bracket

