

# **Above/Below Clamp-on 13" Triple Shelf**

STAND-SHELF3C  
Assembly Manual

---



# WARNING



If you do not understand these directions, or if you have any doubts about the safety of the installation, please contact our product support team at 309-278-5303 or [help@vivo-us.com](mailto:help@vivo-us.com) for further assistance. Check carefully to make sure there are no missing or defective parts. Failure to report missing parts within 30 days may result in denial of free replacement. Improper installation may cause damage or serious injury. Do not use this product for any purpose that is not explicitly specified in this manual. Do not exceed weight capacity. We cannot be liable for damage or injury caused by improper mounting, incorrect assembly or inappropriate use.



## WARNING: CHOKING HAZARD

SMALL PARTS - NOT FOR CHILDREN UNDER 3 YEARS. ADULT SUPERVISION IS REQUIRED.



## DO NOT EXCEED WEIGHT CAPACITY

FAILURE TO DO SO MAY RESULT IN SERIOUS INJURY.

---

---

## Need Help? We're Here For You

*US-Based Customer Support from Trained Professionals*

**Monday-Friday from 7am-7pm CST**

**Saturday 8am-4pm CST**



### Email Us

[help@vivo-us.com](mailto:help@vivo-us.com)



### Chat with Live Agent

[www.vivo-us.com](http://www.vivo-us.com)



### Give Us a Call

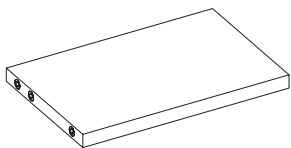
309-278-5303 ext. 1



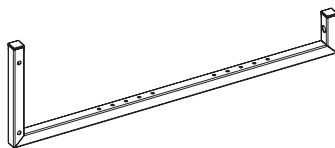
Assembly Video & Product Info

[www.vivo-us.com/products/stand-shelf3c](http://www.vivo-us.com/products/stand-shelf3c)

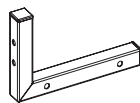
## Package Contents



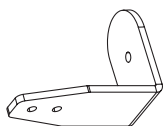
**A (x3)**  
Shelf



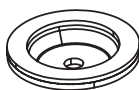
**B (x2)**  
Vertical Support



**C (x4)**  
Shelf Bracket



**D (x2)**  
Clamp Brace



**E (x2)**  
Clamp Plate



**F (x2)**  
Soft Pad

---

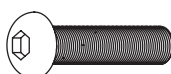
## Included Hardware & Tools



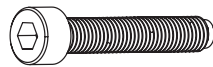
**S-A (x2)**  
M4x10mm  
Screw



**S-B (x4)**  
M6x12mm  
Screw



**S-C (x20)**  
M6x30mm  
Screw



**S-D (x2)**  
M8x50mm  
Screw



**S-E (x2)**  
M4 Washer



**T-A (x1)**  
4mm Allen  
Wrench



**T-B (x1)**  
6mm Allen  
Wrench

---

## Tools Needed:



**Phillips  
Screwdriver**

## Weight Capacity:



**Per Shelf**

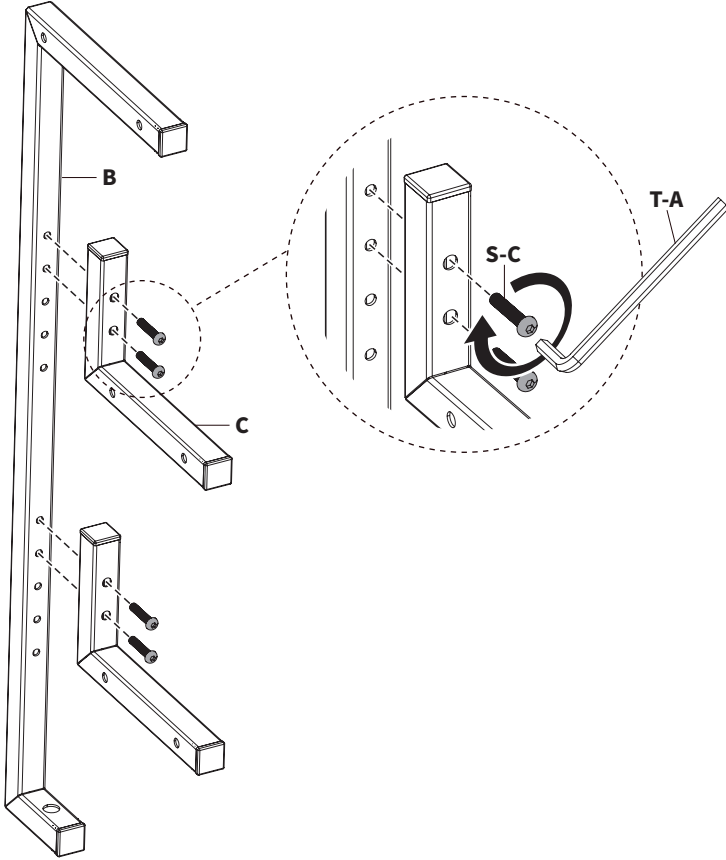


**Total**

# Assembly Steps

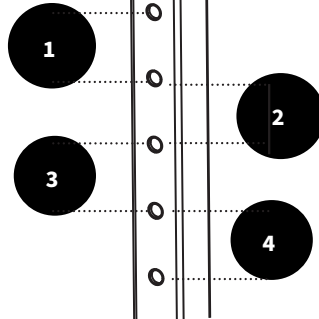
## STEP 1

Attach Shelf Brackets (C) to Vertical Support (B), using 4mm Allen Wrench (T-A) and M6x30mm Screws (S-C).



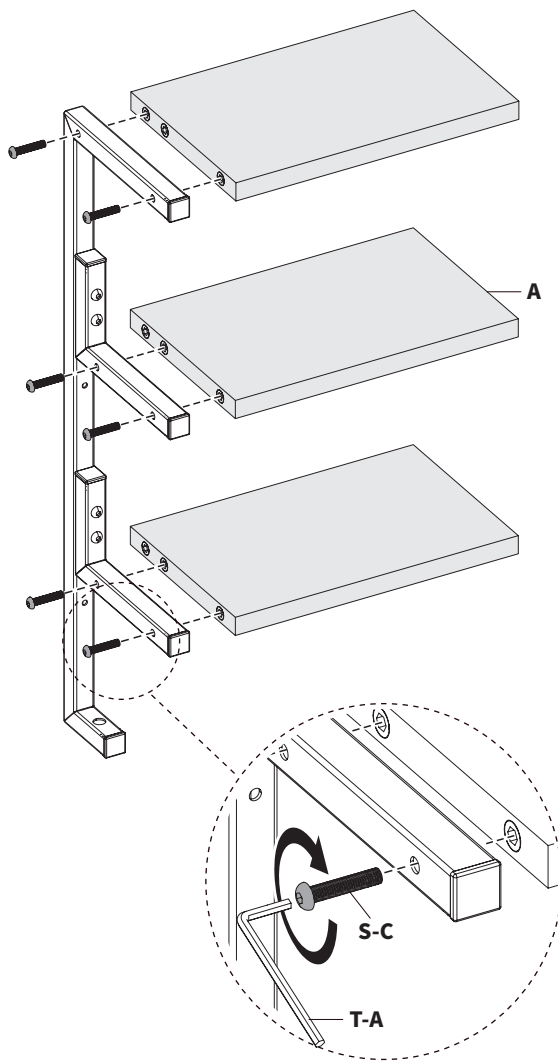
### 4 Height Settings

Select mounting holes based on desired shelf height.



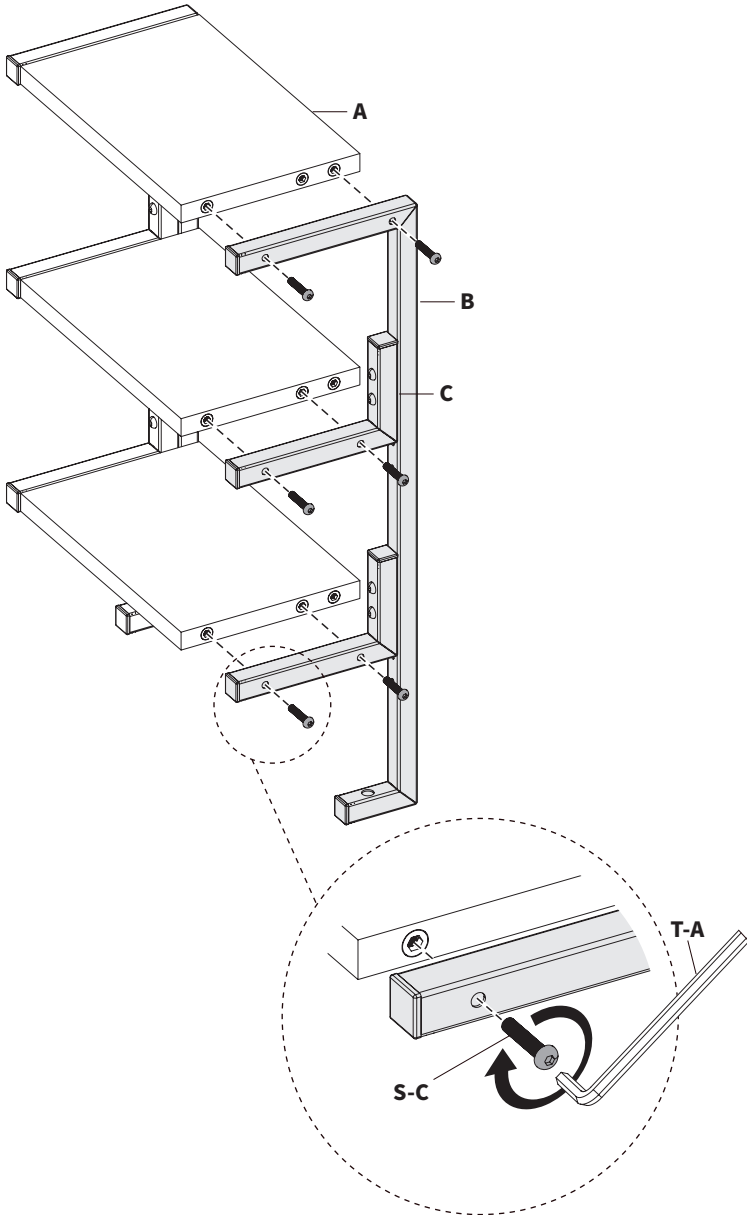
## STEP 2

Using 4mm Allen Wrench (**T-A**) and M6x30mm Screws (**S-C**), secure Shelves (**A**) onto Vertical Support Assembly, as shown.



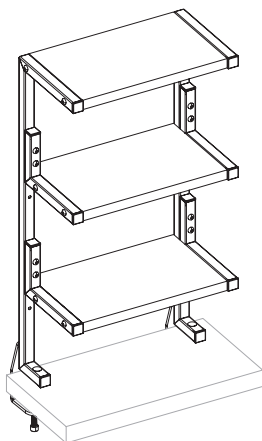
## STEP 3

Assemble the remaining Shelf Brackets (**C**) and Vertical Support (**B**) following the instructions from Step 1, then attach to Shelves (**A**) using 4mm Allen Wrench (**T-A**) and M6x30mm Screws (**S-C**).

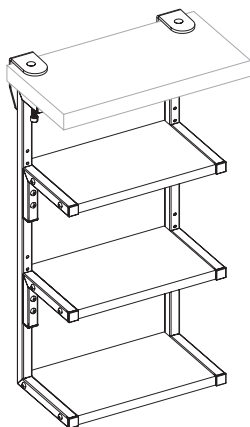


**\*\* PLEASE READ \*\***  
**Choose Mounting Option**  
**Before Proceeding**

Shelf can be assembled to mount above or below desk. Choose your desired orientation based on your setup needs and follow corresponding steps.



*Option A:*  
**Above Desk Mounting**  
Pages 8 - 10

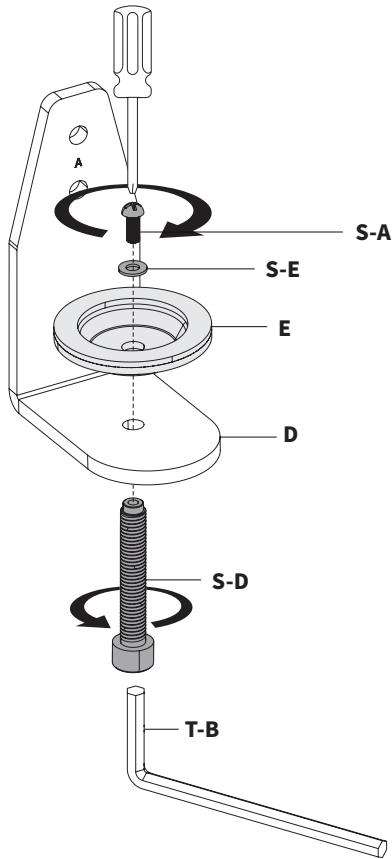


*Option B:*  
**Below Desk Mounting**  
Pages 11 - 13

- Option A -  
**Above Desk Mounting**

**STEP 4a**

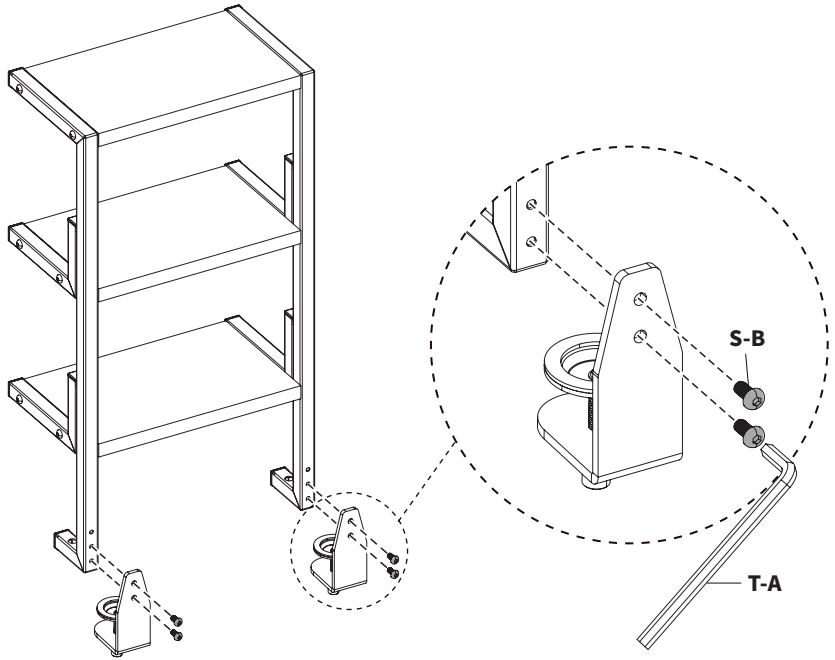
Thread M8x50mm Screws (**S-D**) into Clamp Braces (**D**) with Clamp Plate (**E**), M4x10mm Screws (**S-A**) and M4 Washers (**S-E**). Tighten using 6mm Allen Wrench (**T-B**) and a Phillips Screwdriver.



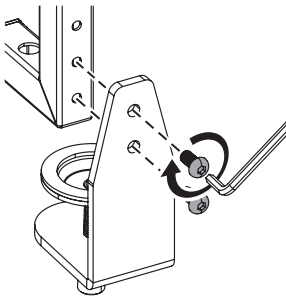
## Above Desk Mounting - Cont'd

### STEP 5a

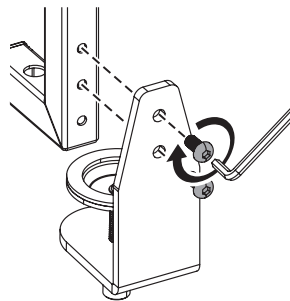
Mount the clamp assemblies to Vertical Supports (**B**) using M6x12mm Screws (**S-B**) and 4mm Allen Wrench (**T-A**).



### Desktop Thickness Options



**First Set**  
4.5 - 46.5mm/0.2 - 1.8"  
Desktop Thickness

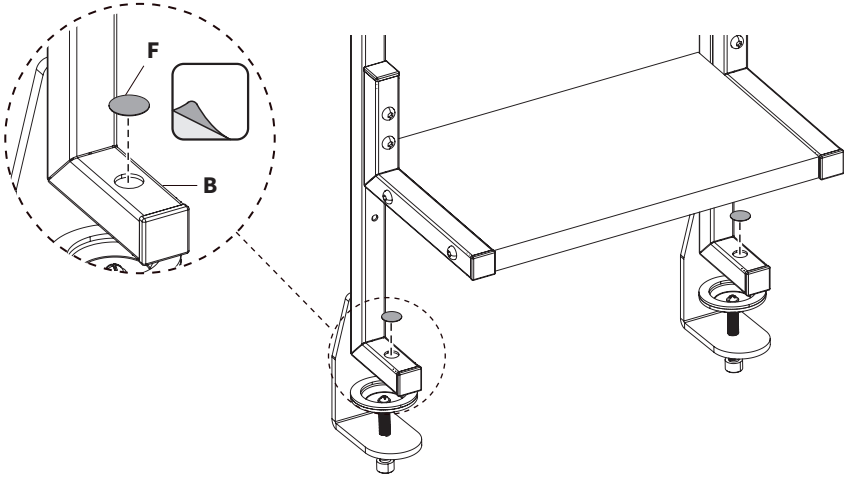


**Second Set**  
0 - 26.5mm/0 - 1.04"  
Desktop Thickness

## Above Desk Mounting - Cont'd

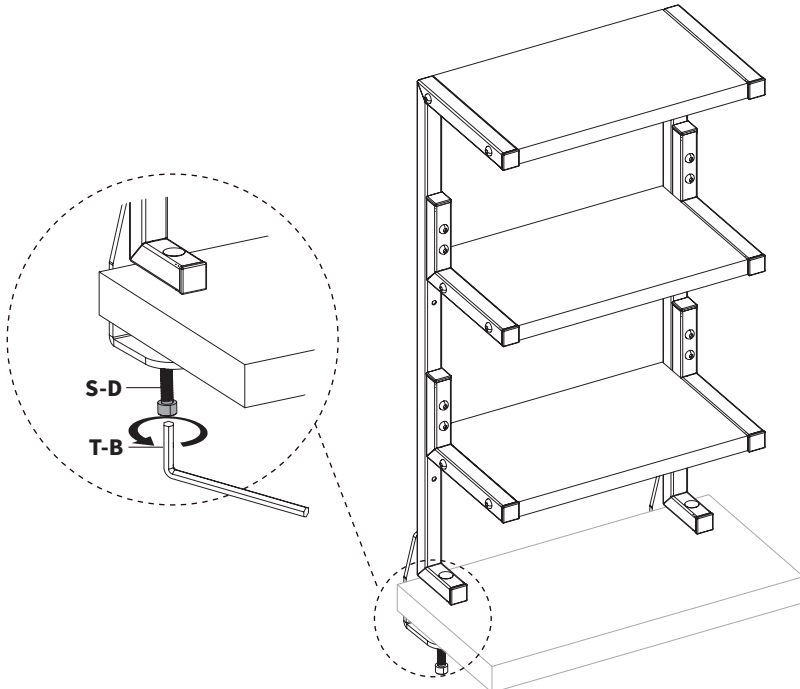
### STEP 6a

Remove adhesive backing from Soft Pads (**F**) and apply to Vertical Supports (**B**) as shown below.



### STEP 7a

Secure the shelf assembly above the desktop by tightening M8x50mm Screws (**S-D**) using 6mm Allen Wrench (**T-B**).



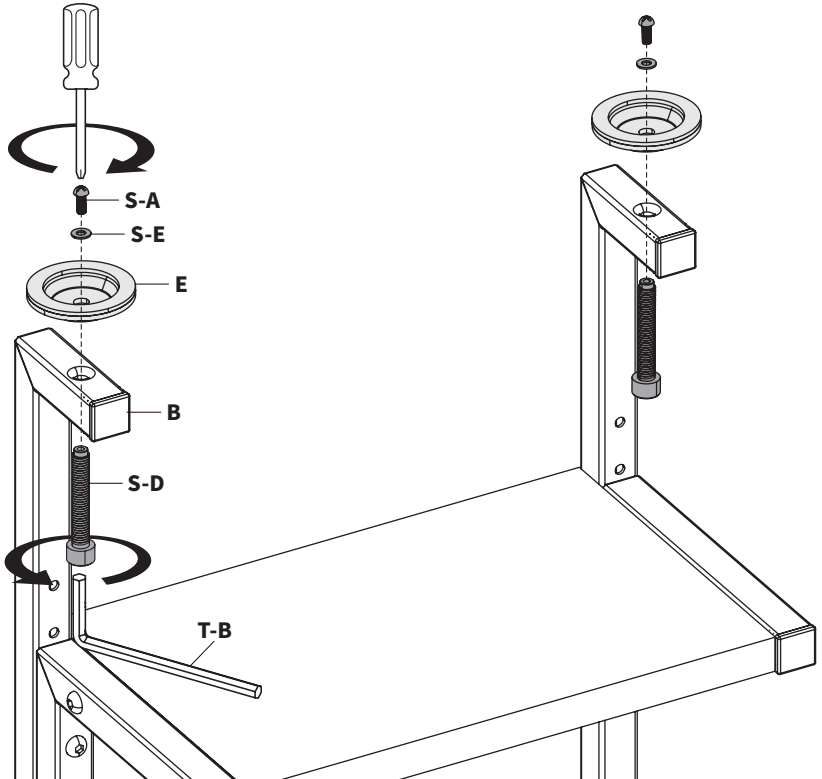
***Assembly Complete***

- Option B -  
**Below Desk Mounting**

**STEP 4a**

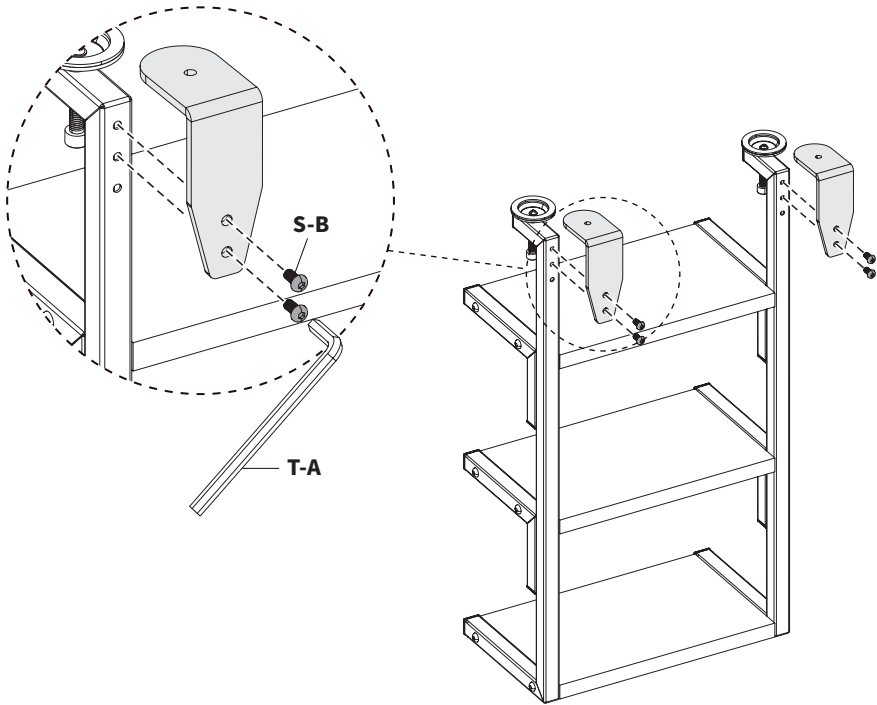
Thread M8x50mm Screws (**S-D**) into Vertical Supports (**B**) with Clamp Plates (**E**), M4x10mm Screws (**S-A**) and M4 Washers (**S-E**).

Tighten using 6mm Allen Wrench (**T-B**) and a Phillips Screwdriver.

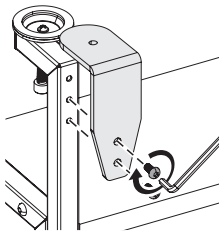


## STEP 5b

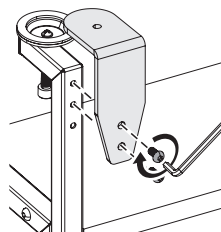
Secure Clamp Brace (**D**) to the back of Vertical Supports (**B**) using M6x12mm Screws (**S-B**) and 4mm Allen Wrench (**T-A**).



### Desktop Thickness Options



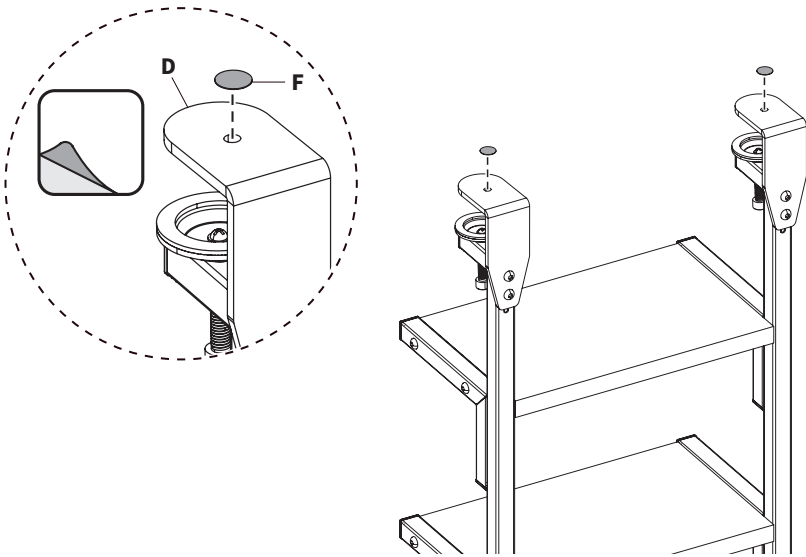
**First Set**  
0 - 26.5mm/0 - 1.04"  
Desktop Thickness



**Second Set**  
19.3 - 46.5mm/0.75 - 1.8"  
Desktop Thickness

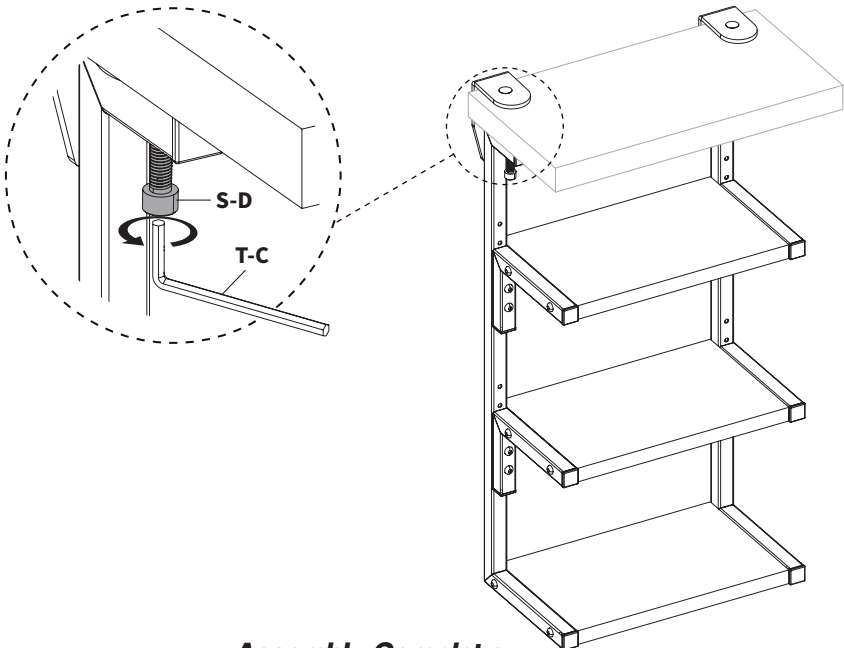
## STEP 6b

Remove adhesive backing from Soft Pads (**F**) and apply them to Clamp Braces (**D**) as shown below.



## STEP 7b

Secure the shelf assembly below the desktop by tightening M8x50mm Screws (**S-D**) using 6mm Allen Wrench (**T-B**).



***Assembly Complete***

[THIS PAGE HAS BEEN LEFT INTENTIONALLY BLANK]

V·I·V·



Love Your New Setup?  
**Tag Us on Social!**



@VIVO-us



@vivo\_us



@VIVOus



VIVO



## Need Help? **We're Here For You**

Monday-Friday from 7am-7pm CST

Saturday 8am-4pm CST



Email Us  
[help@vivo-us.com](mailto:help@vivo-us.com)



Chat with Live Agent  
[www.vivo-us.com](http://www.vivo-us.com)



Give Us a Call  
309-278-5303 ext. 1



VIVO-us



@vivo\_us



@VIVOus



VIVO