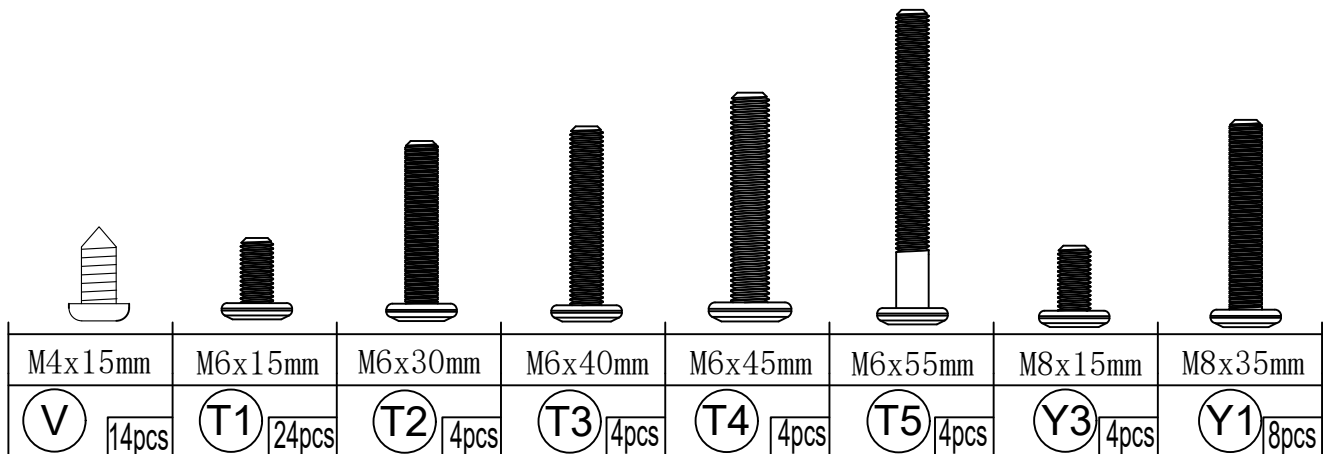
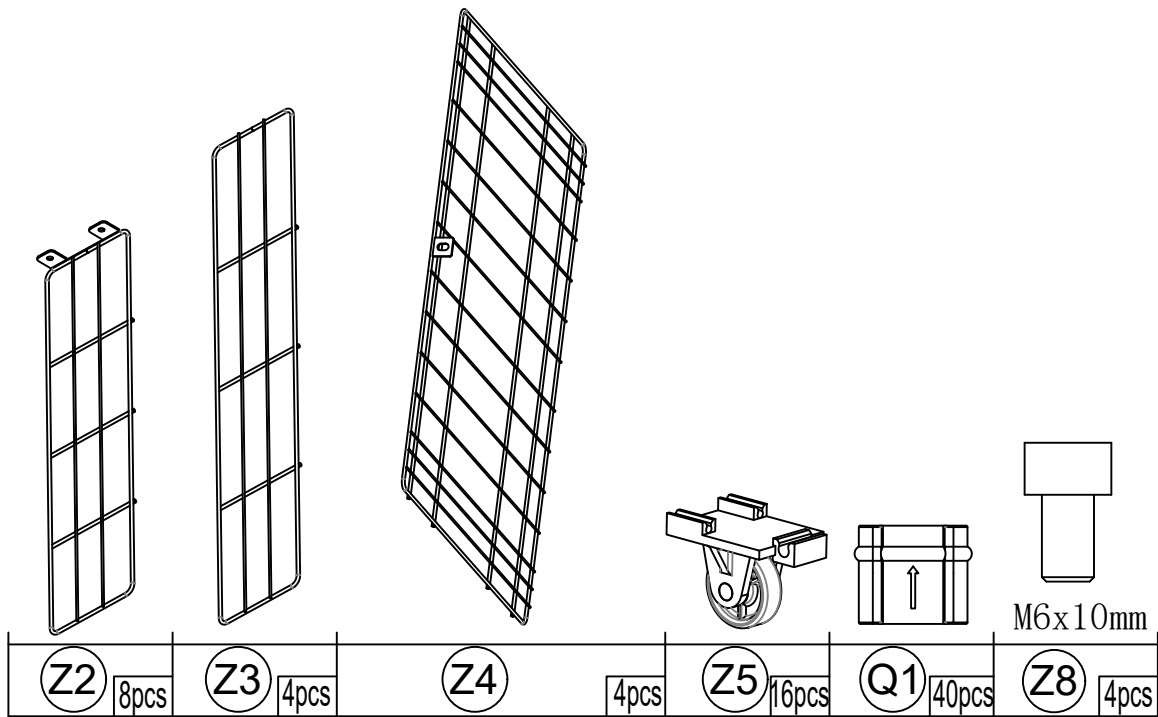
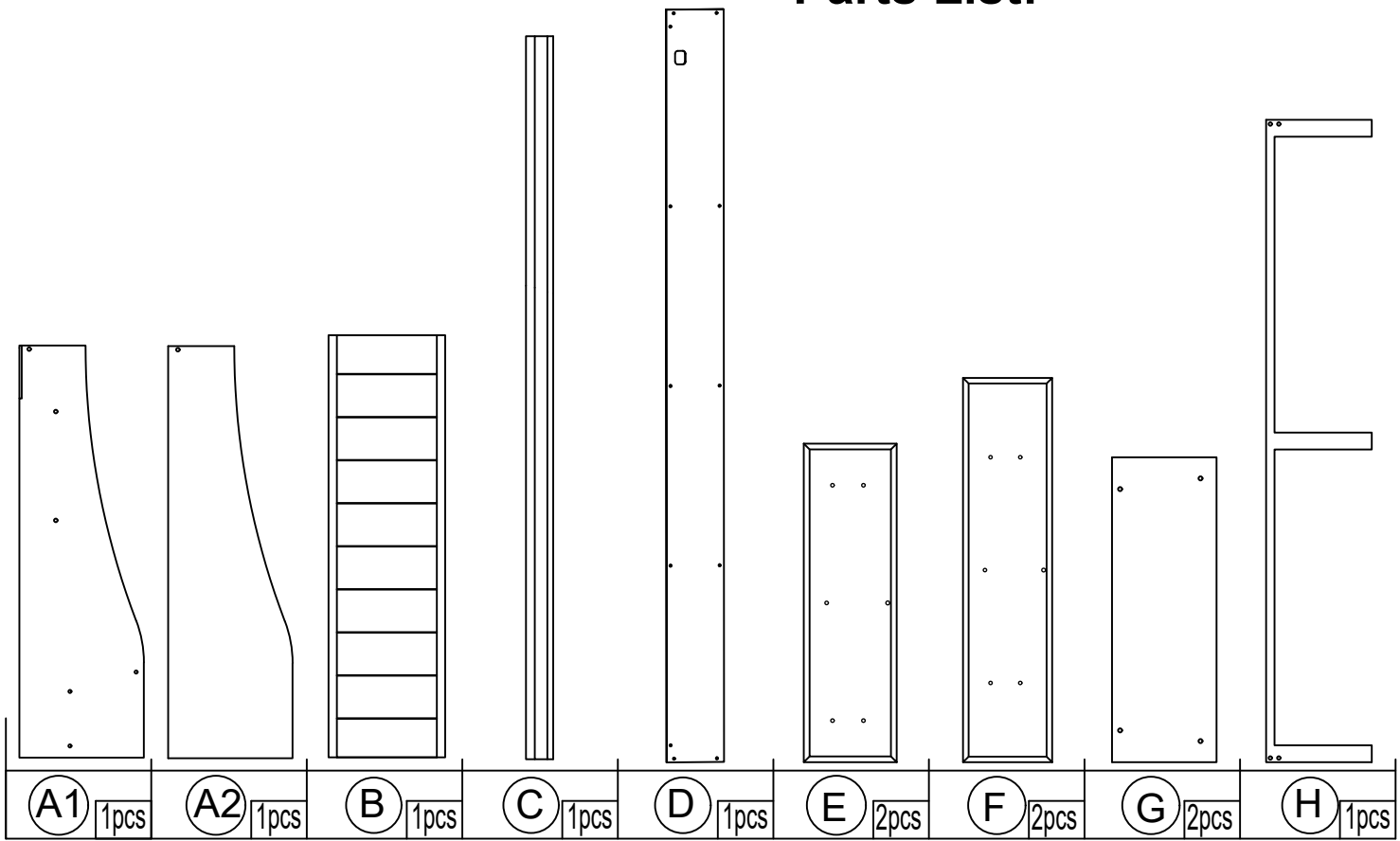


Model: C337B-FC-FH

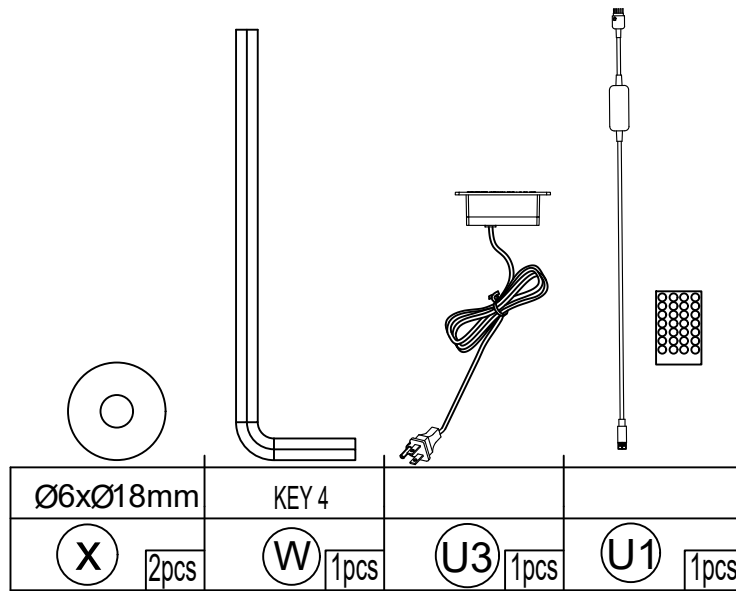
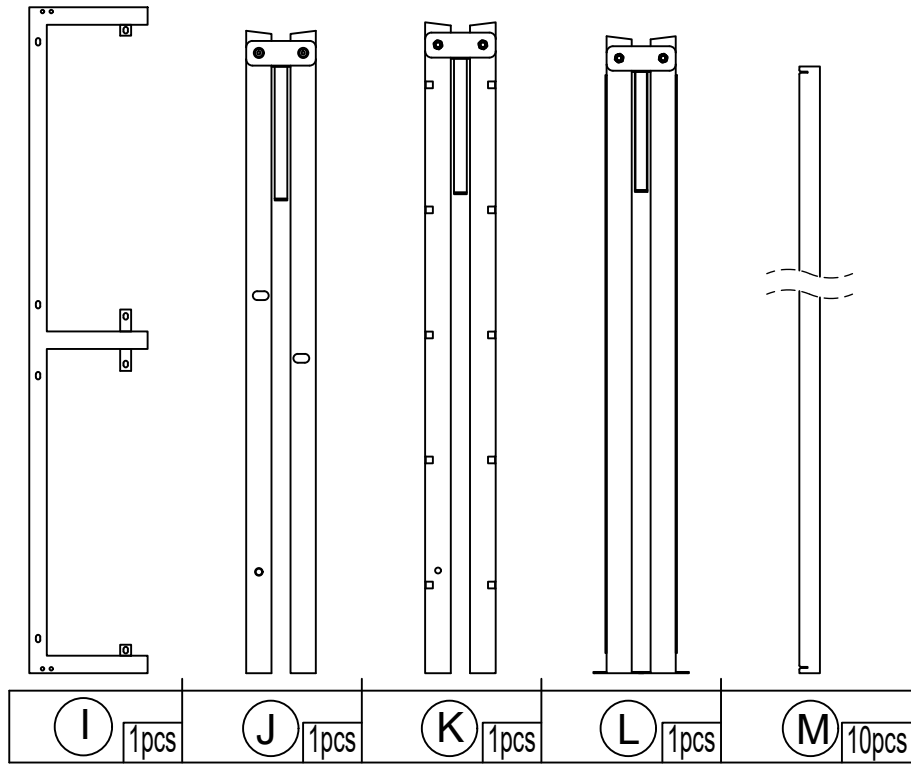
Please Scan the QR code to watch the tutorial video



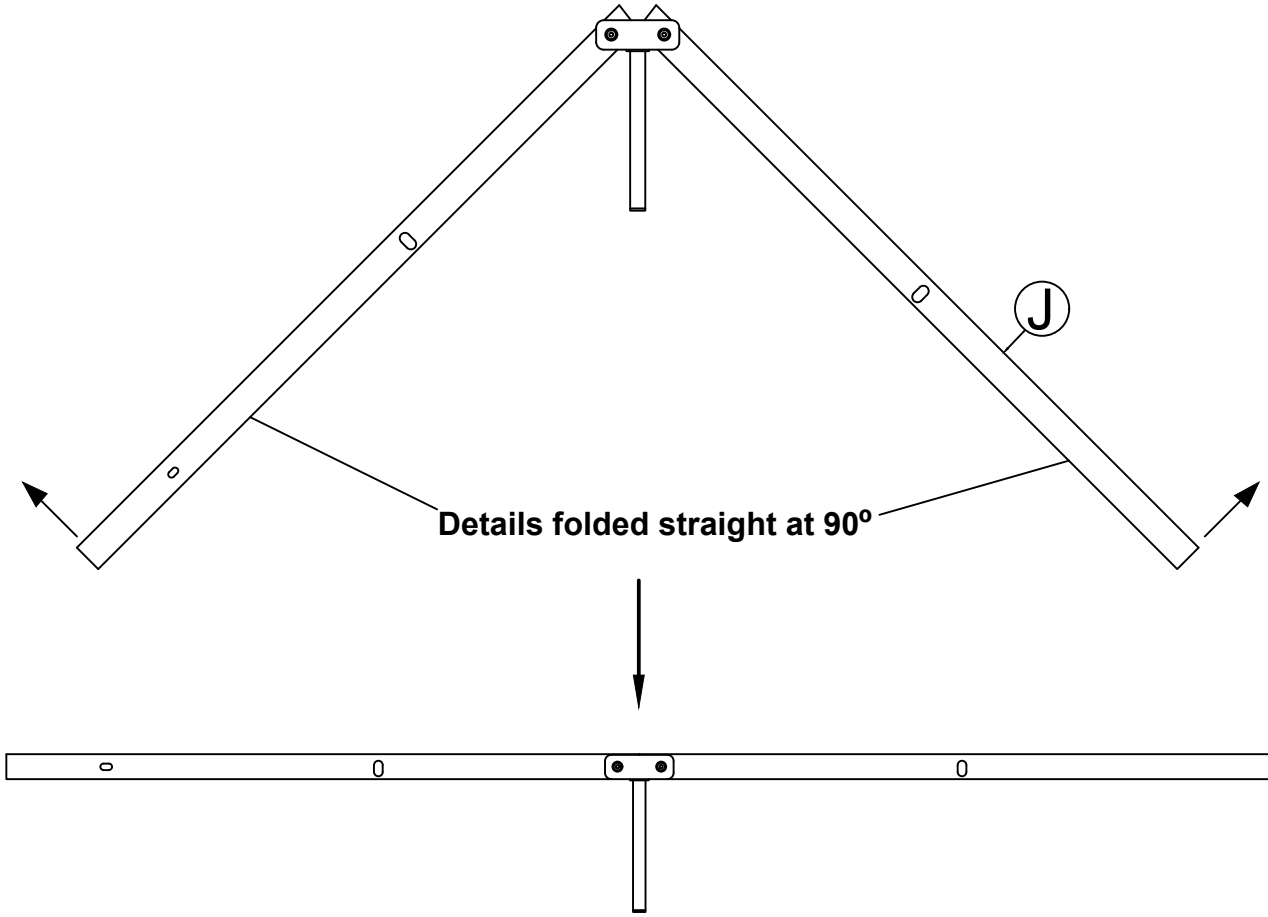
Parts List:



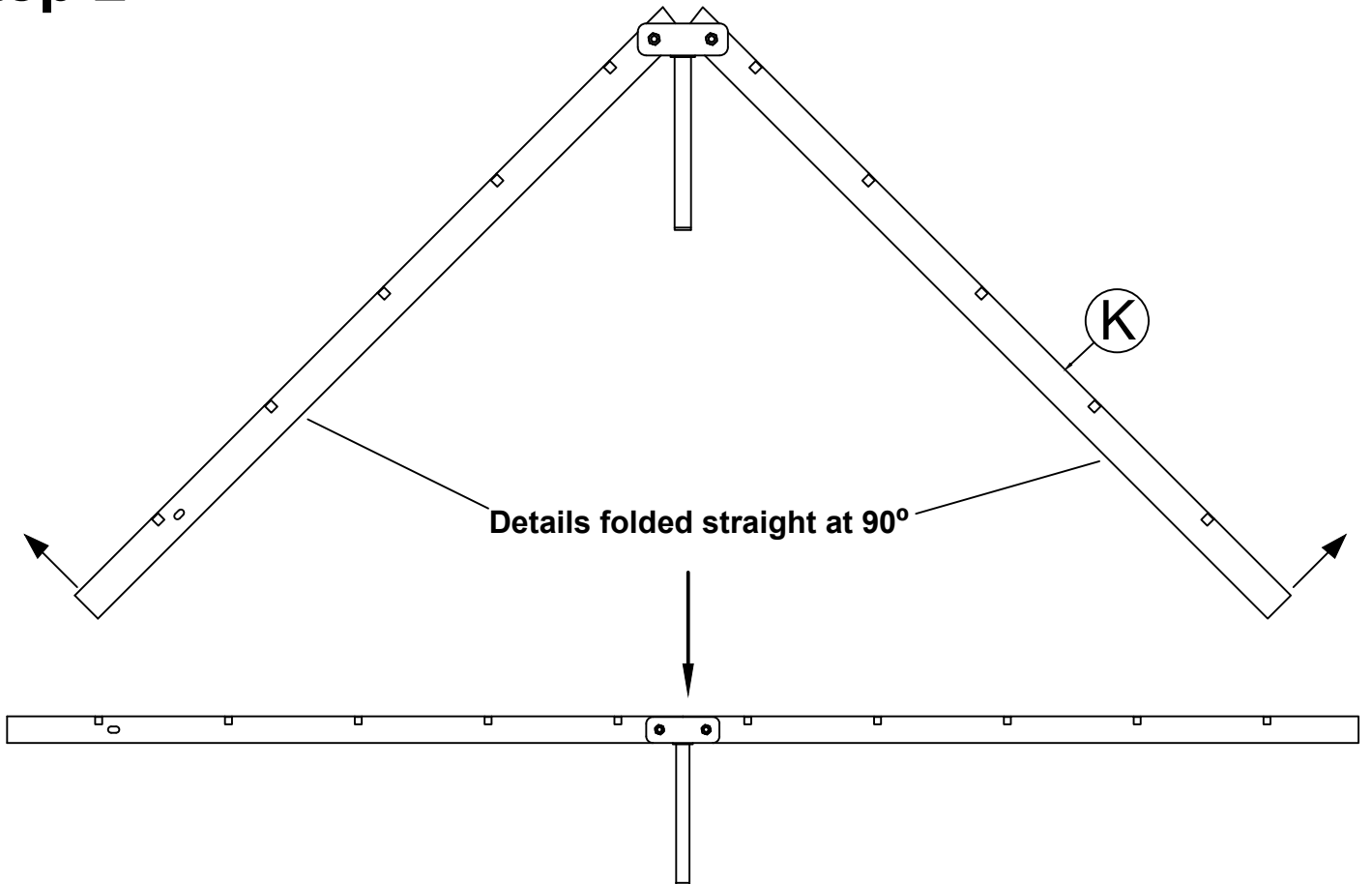
Parts List:



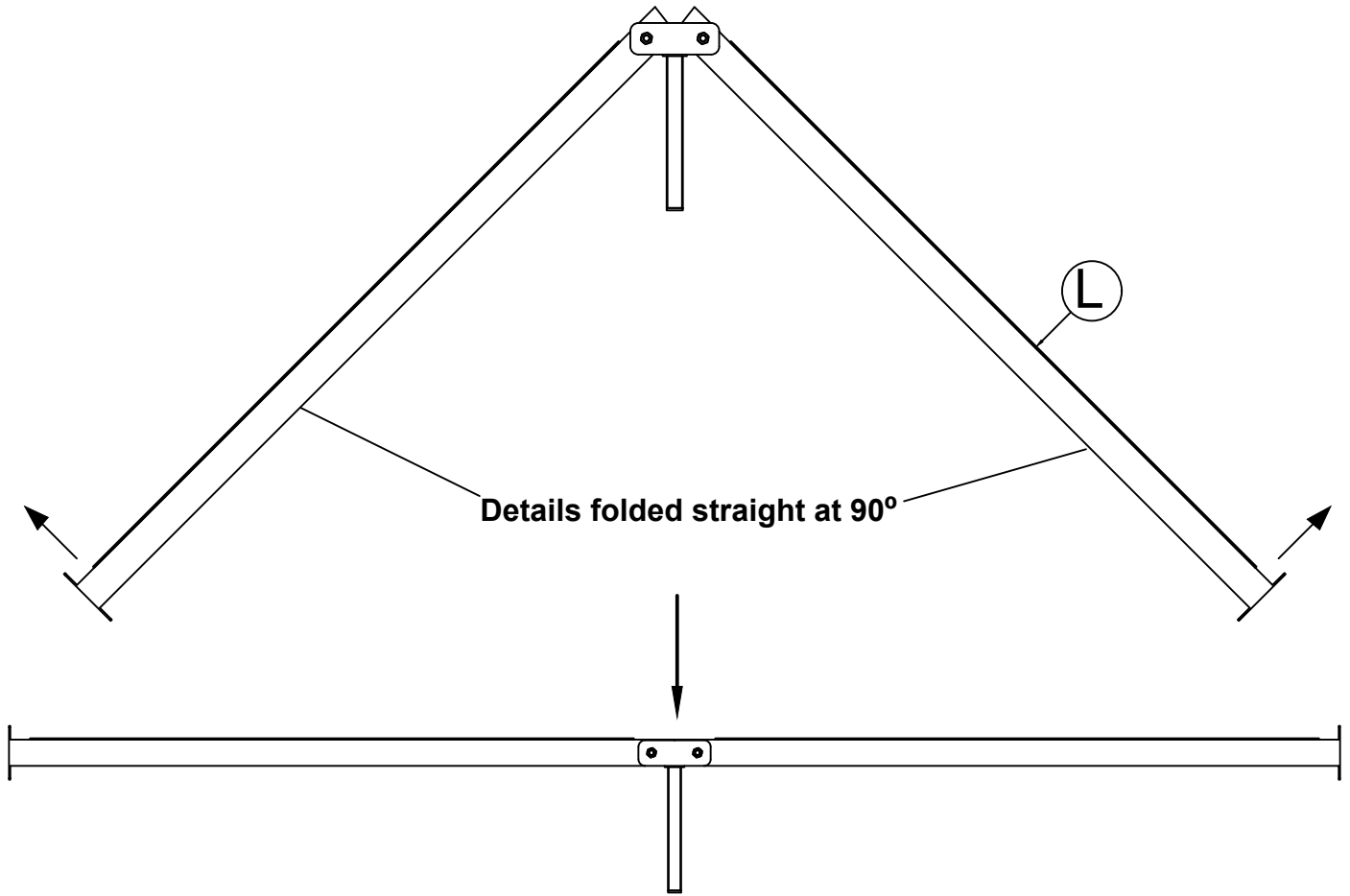
Step 1



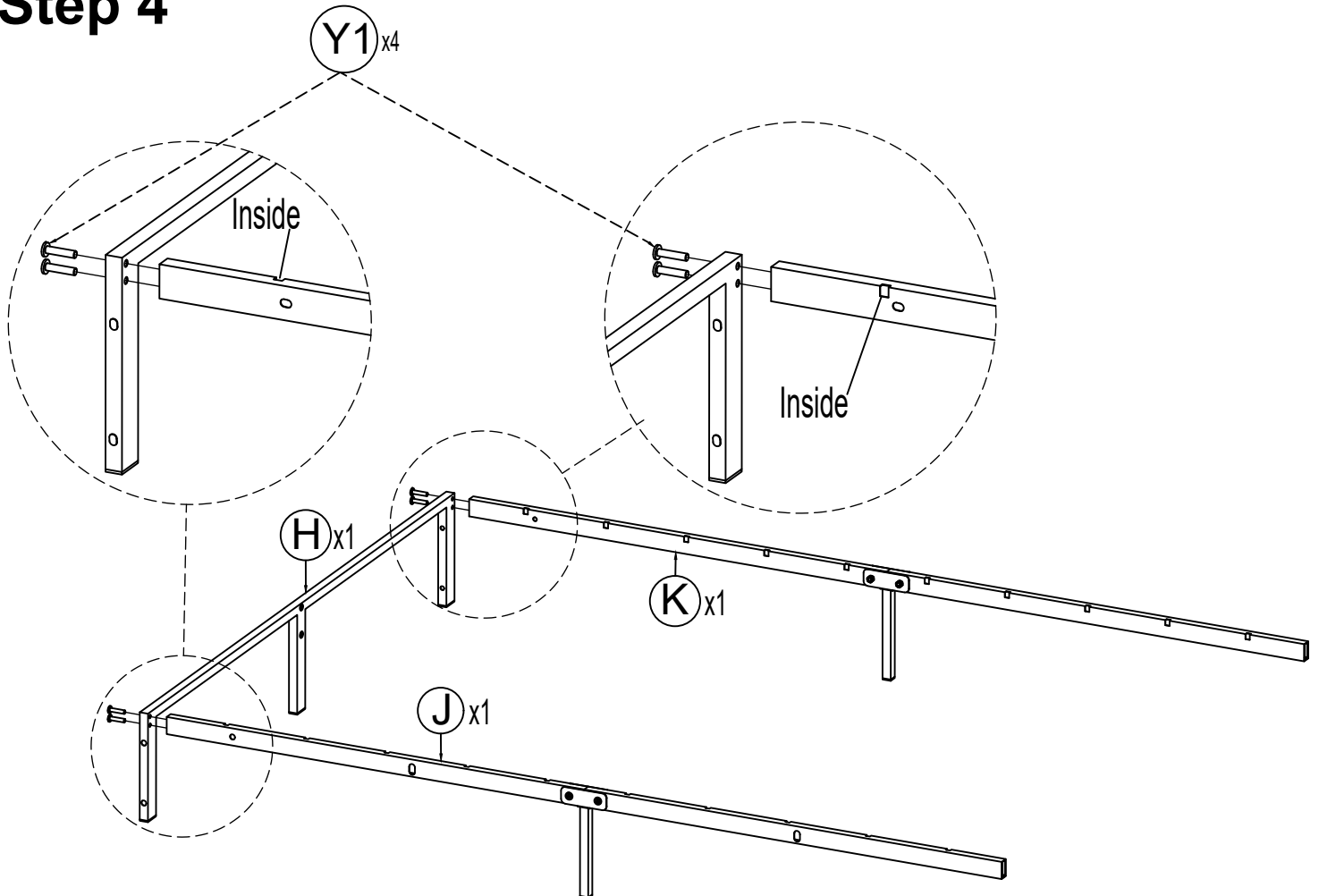
Step 2



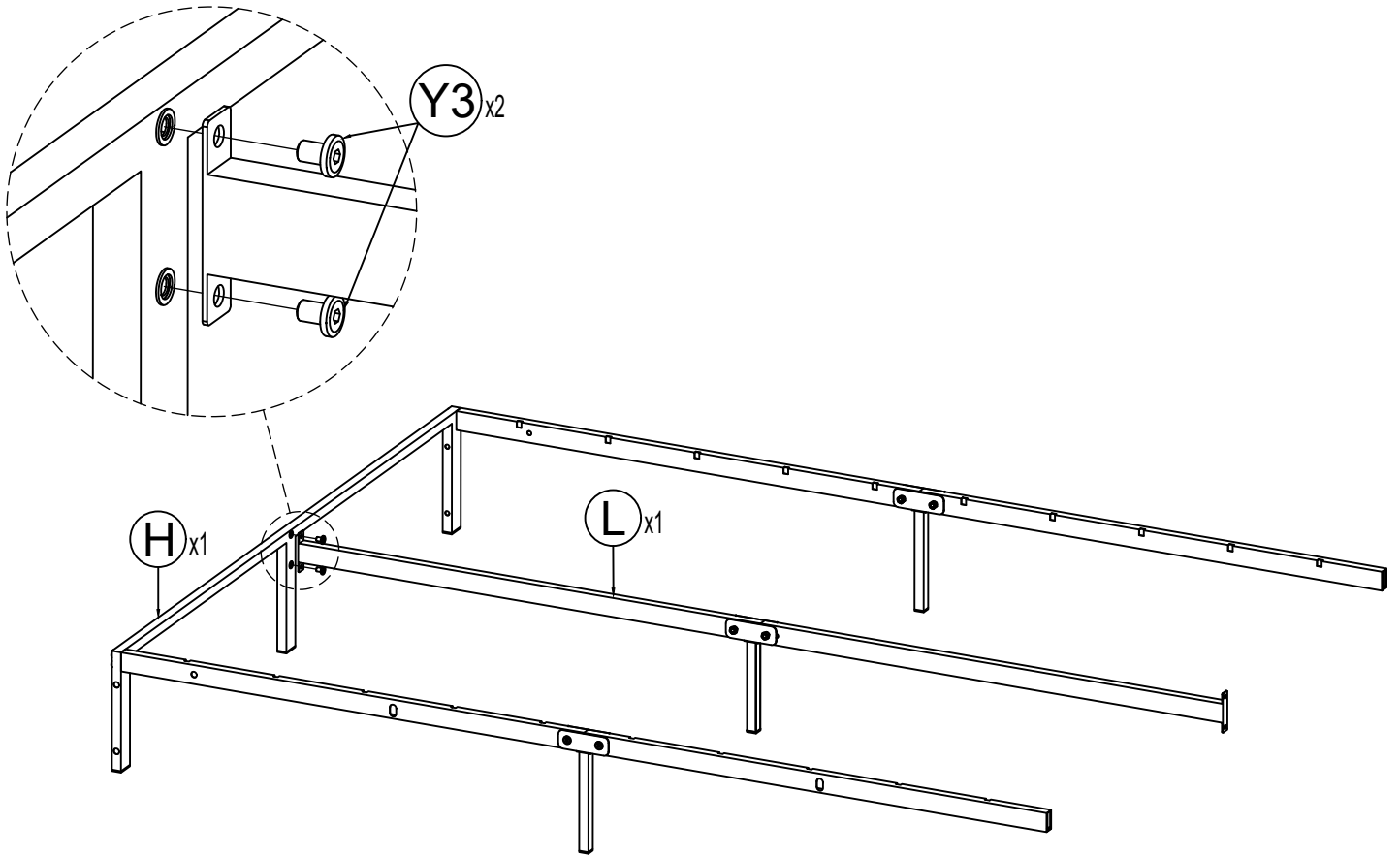
Step 3



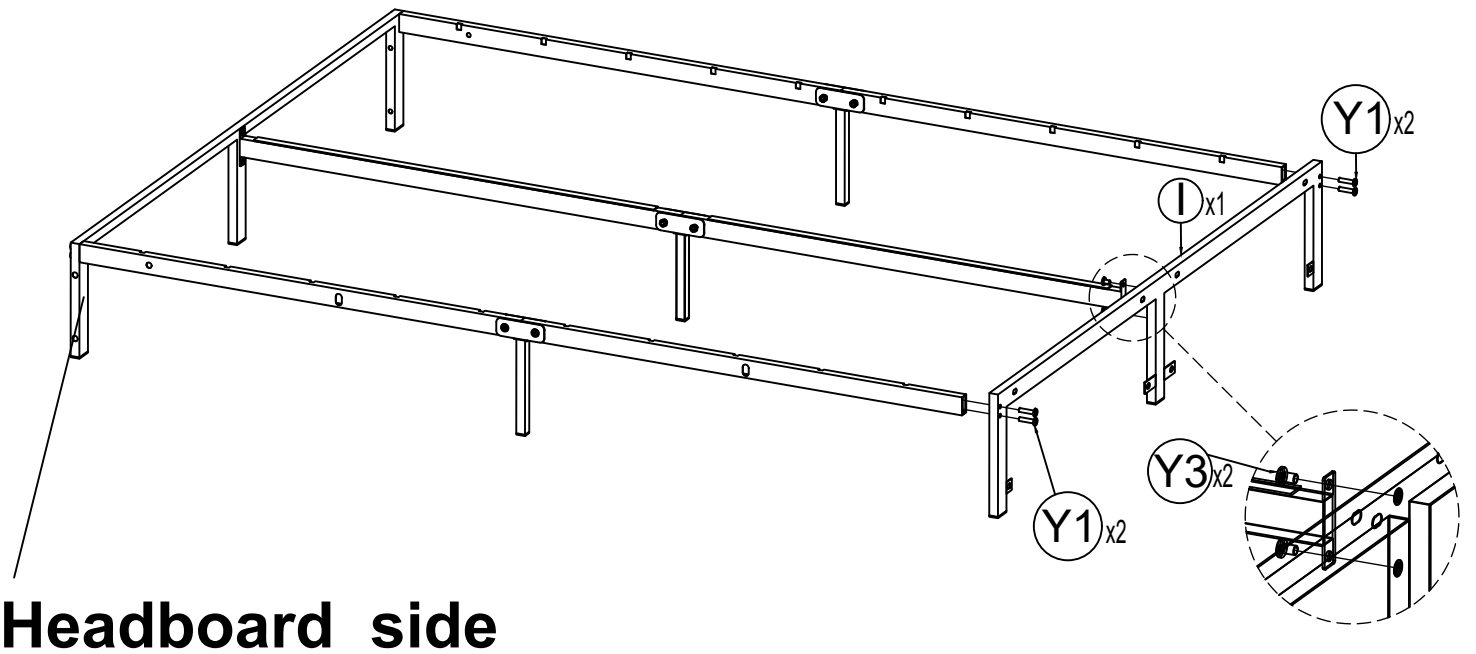
Step 4



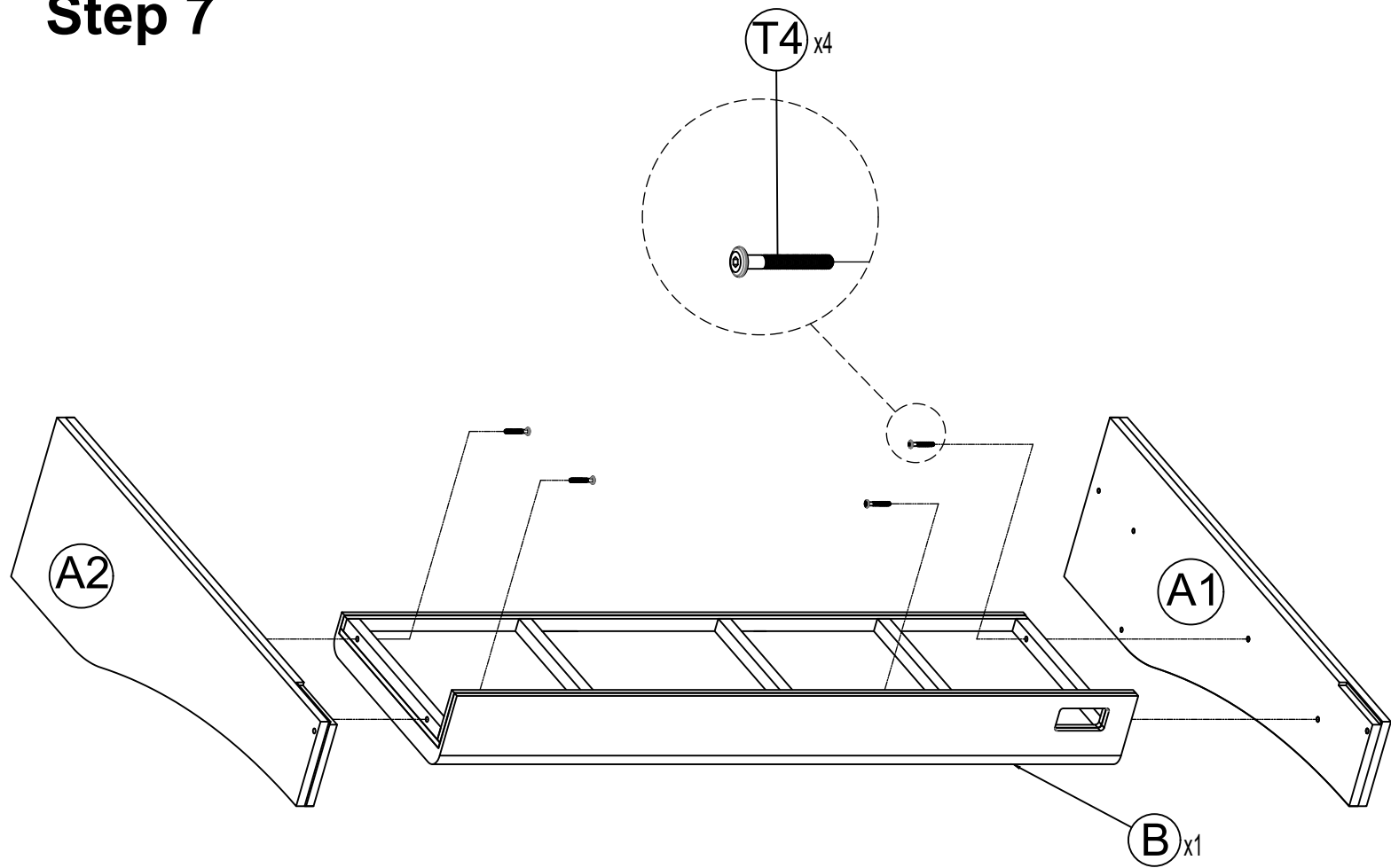
Step 5



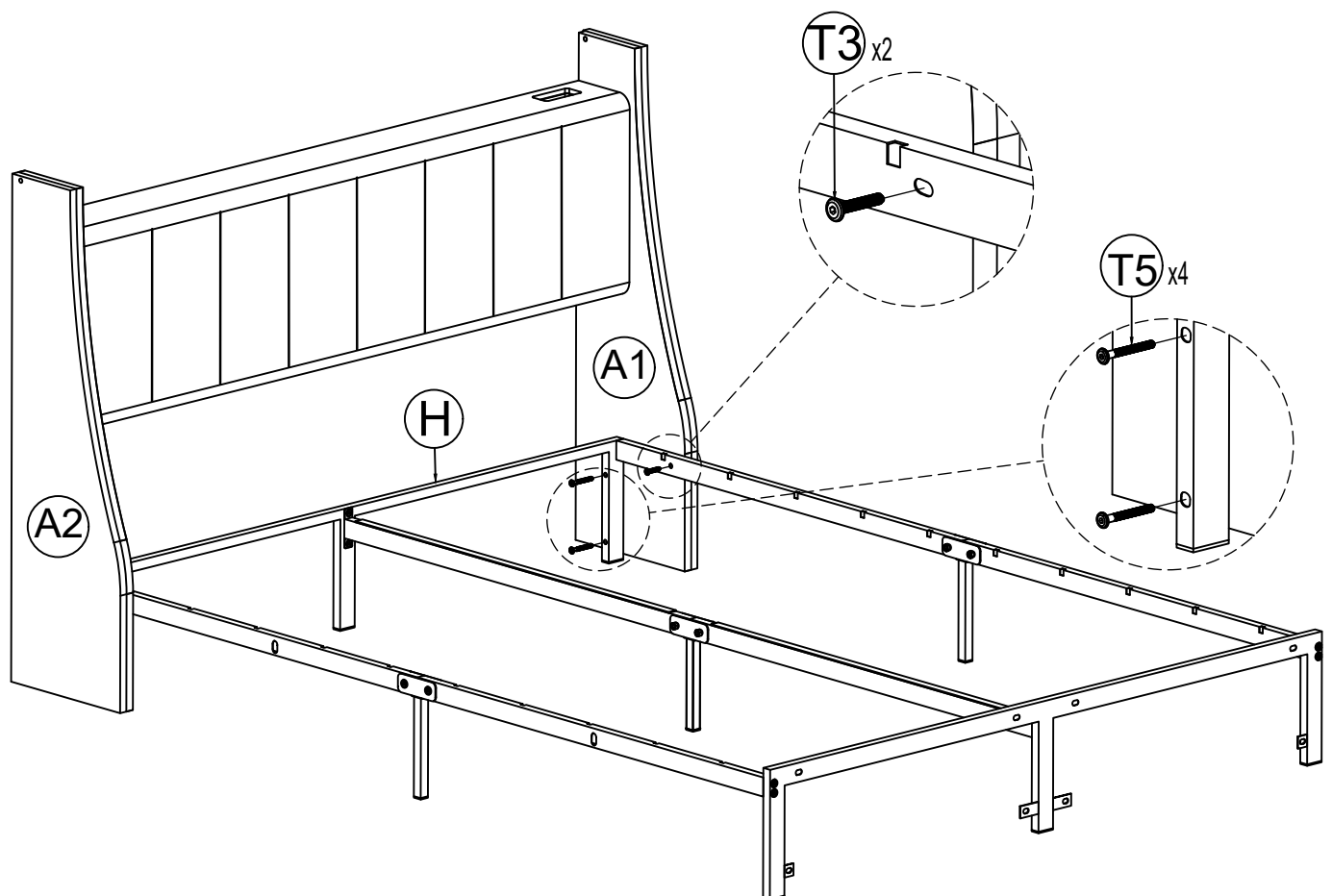
Step 6



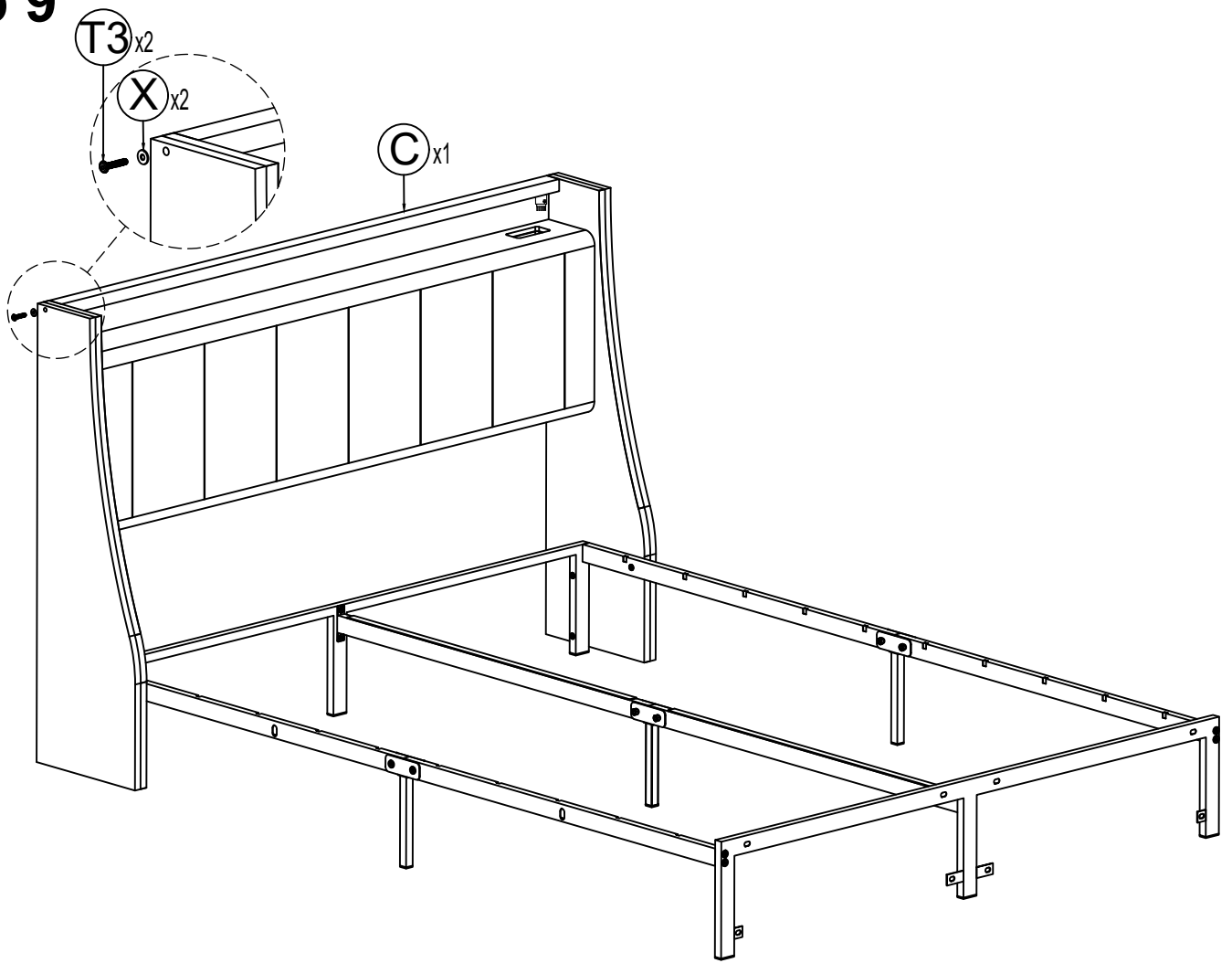
Step 7



Step 8

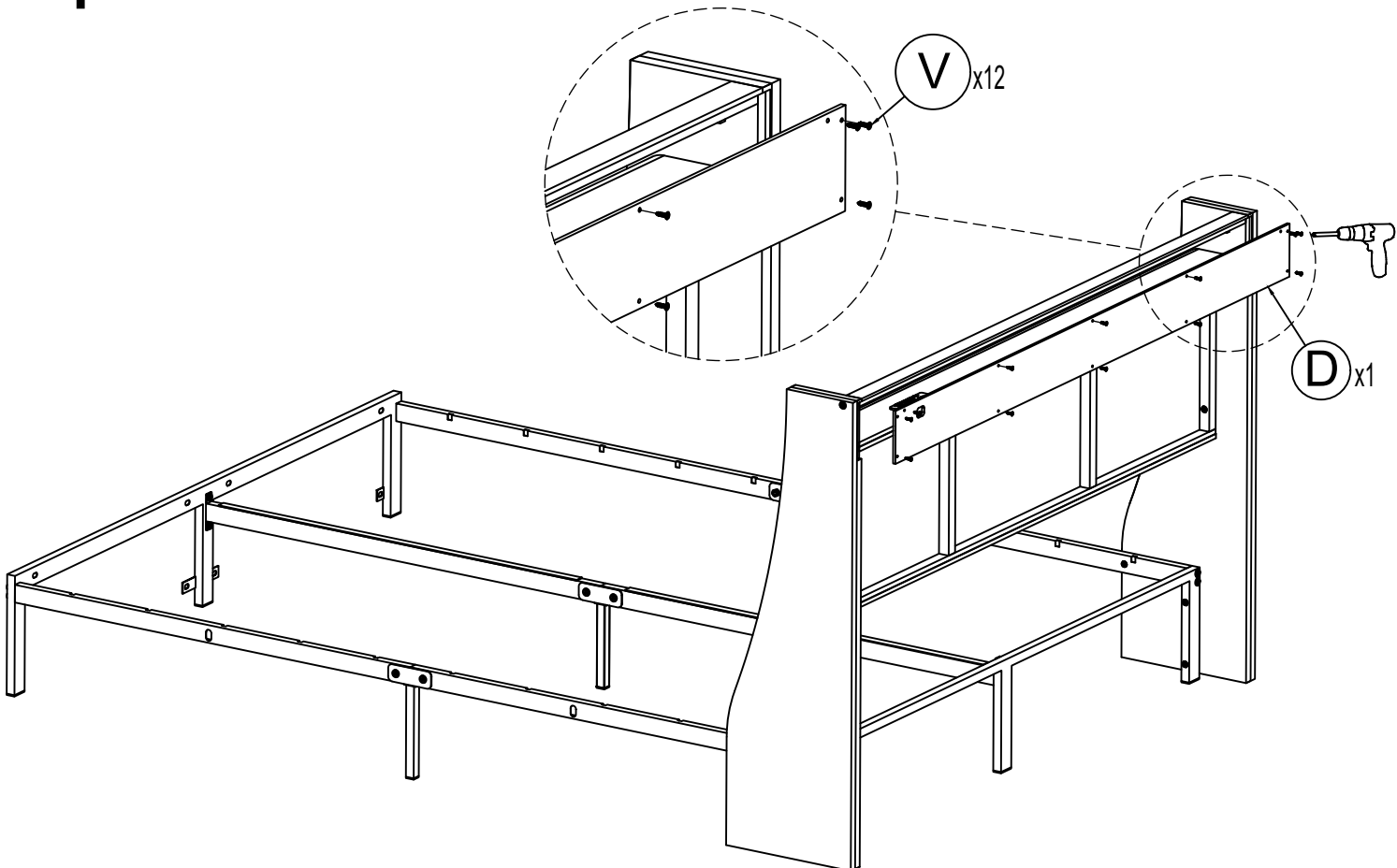


Step 9

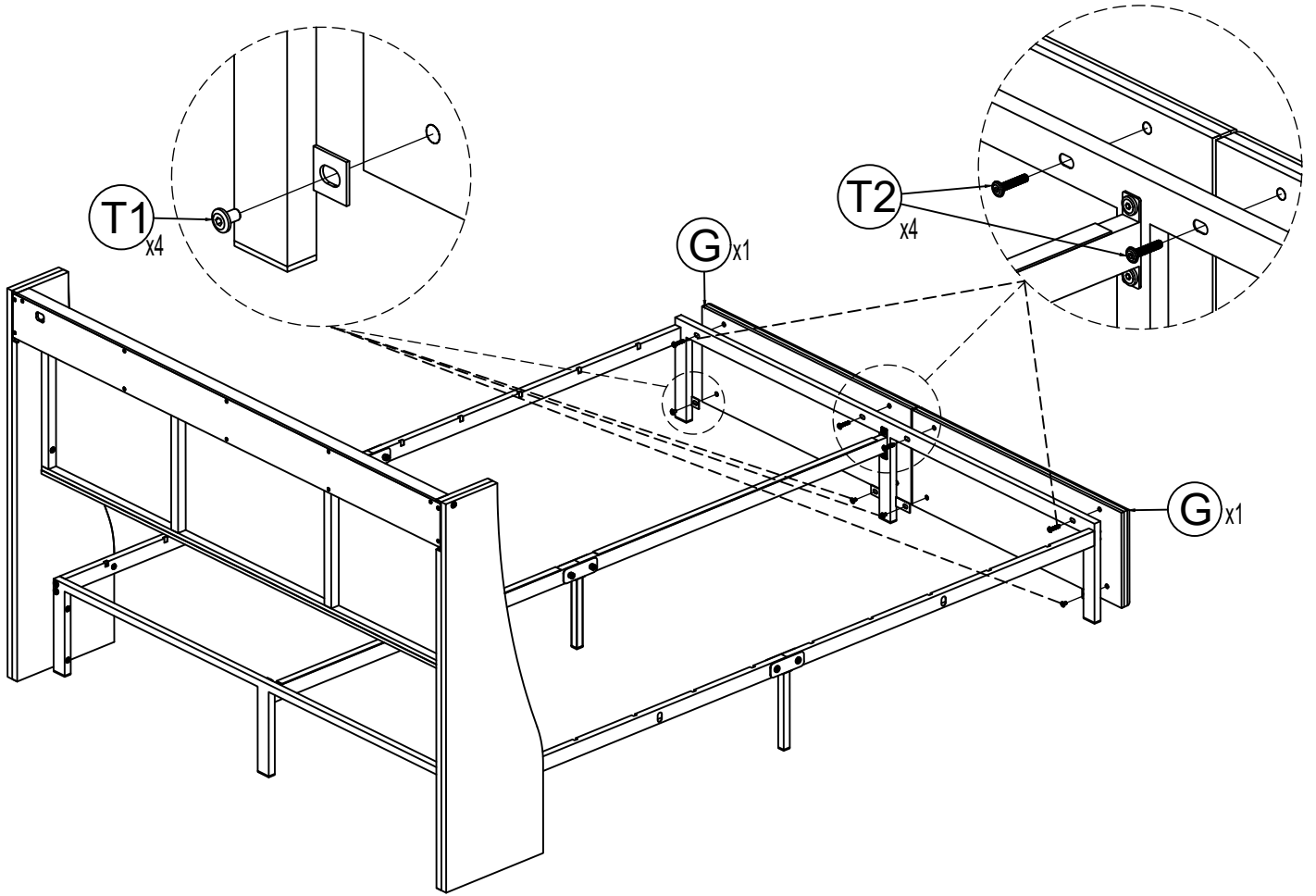


Step 10

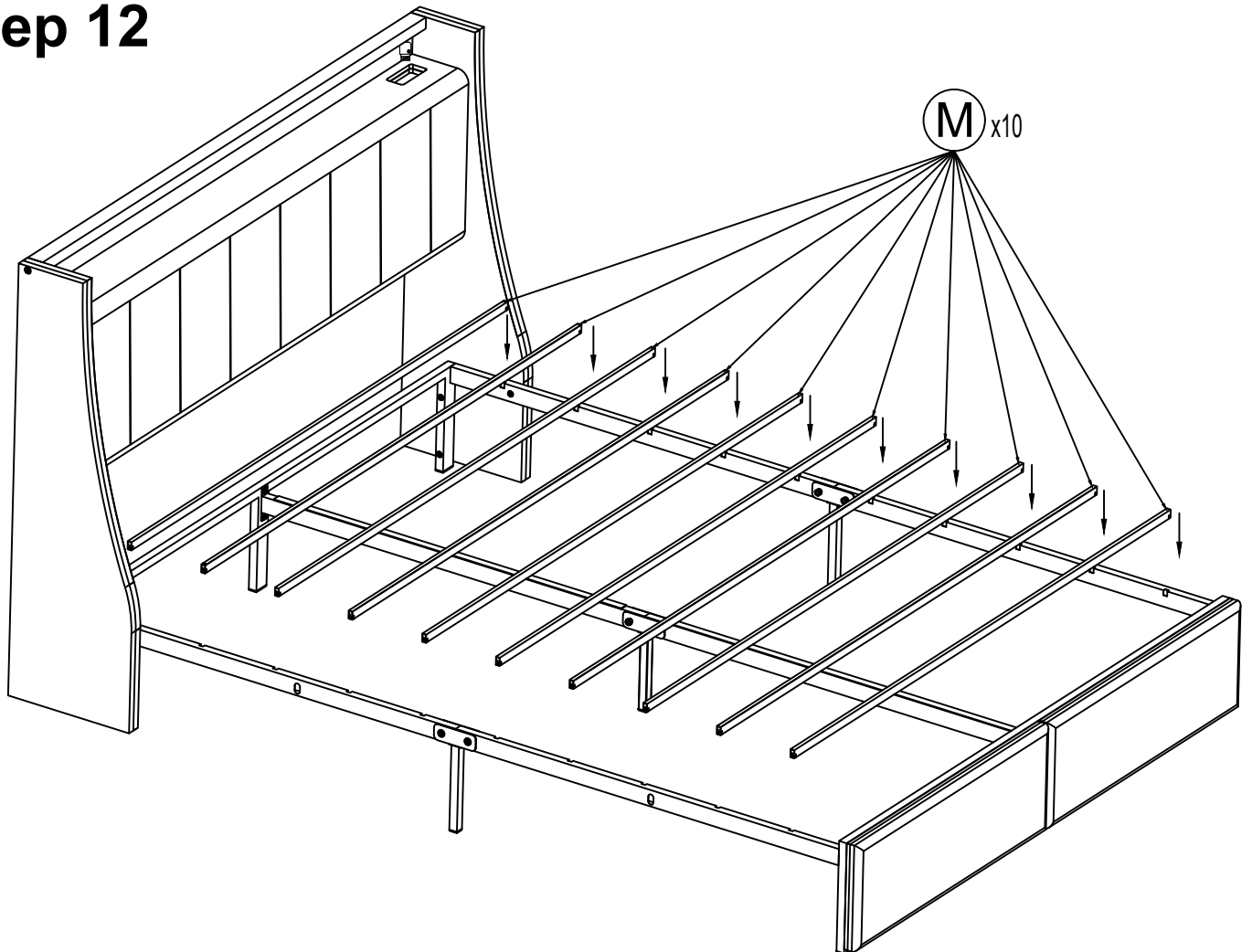
We suggest using drill machine to install "V" screws



Step 11



Step 12

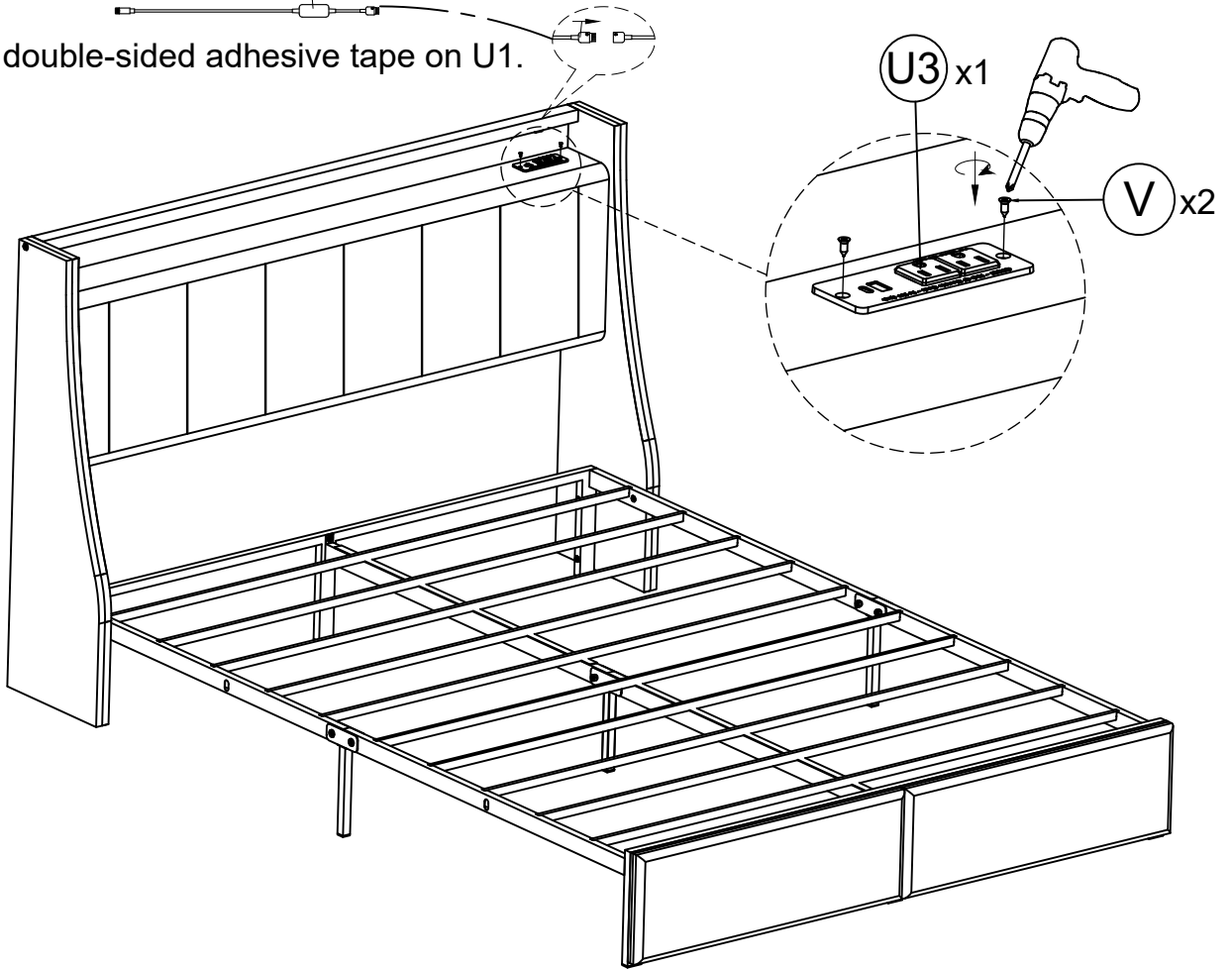


Step 13

U1 x1

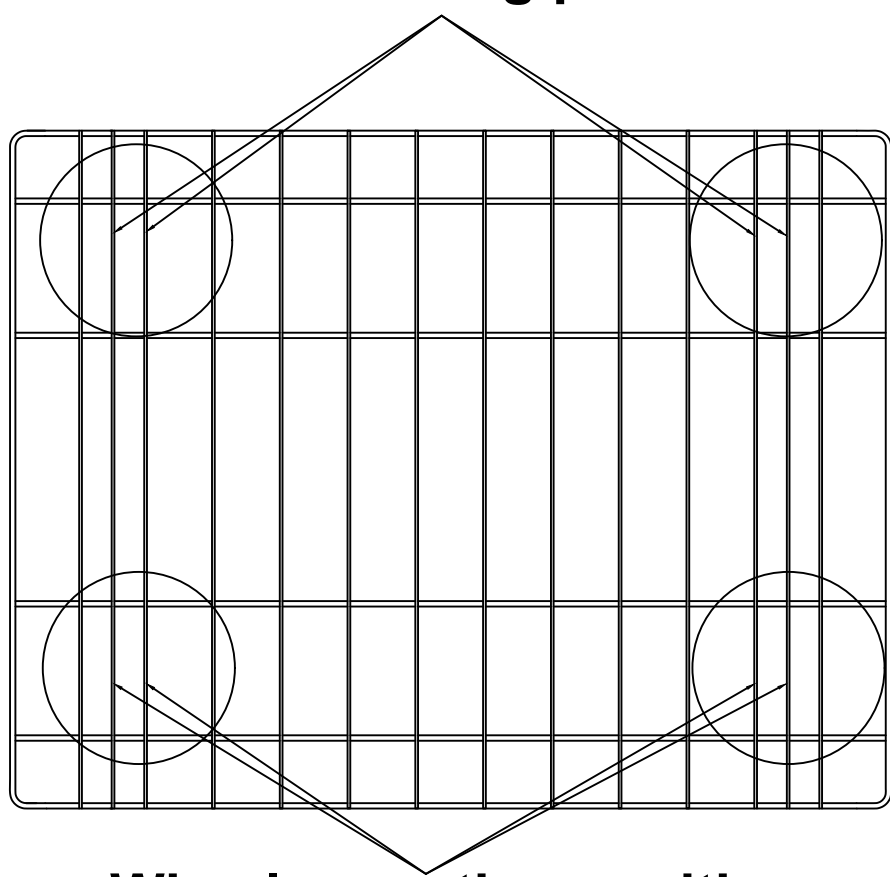
We suggest using drill machine to install "V" screws

Tear off the double-sided adhesive tape on U1.

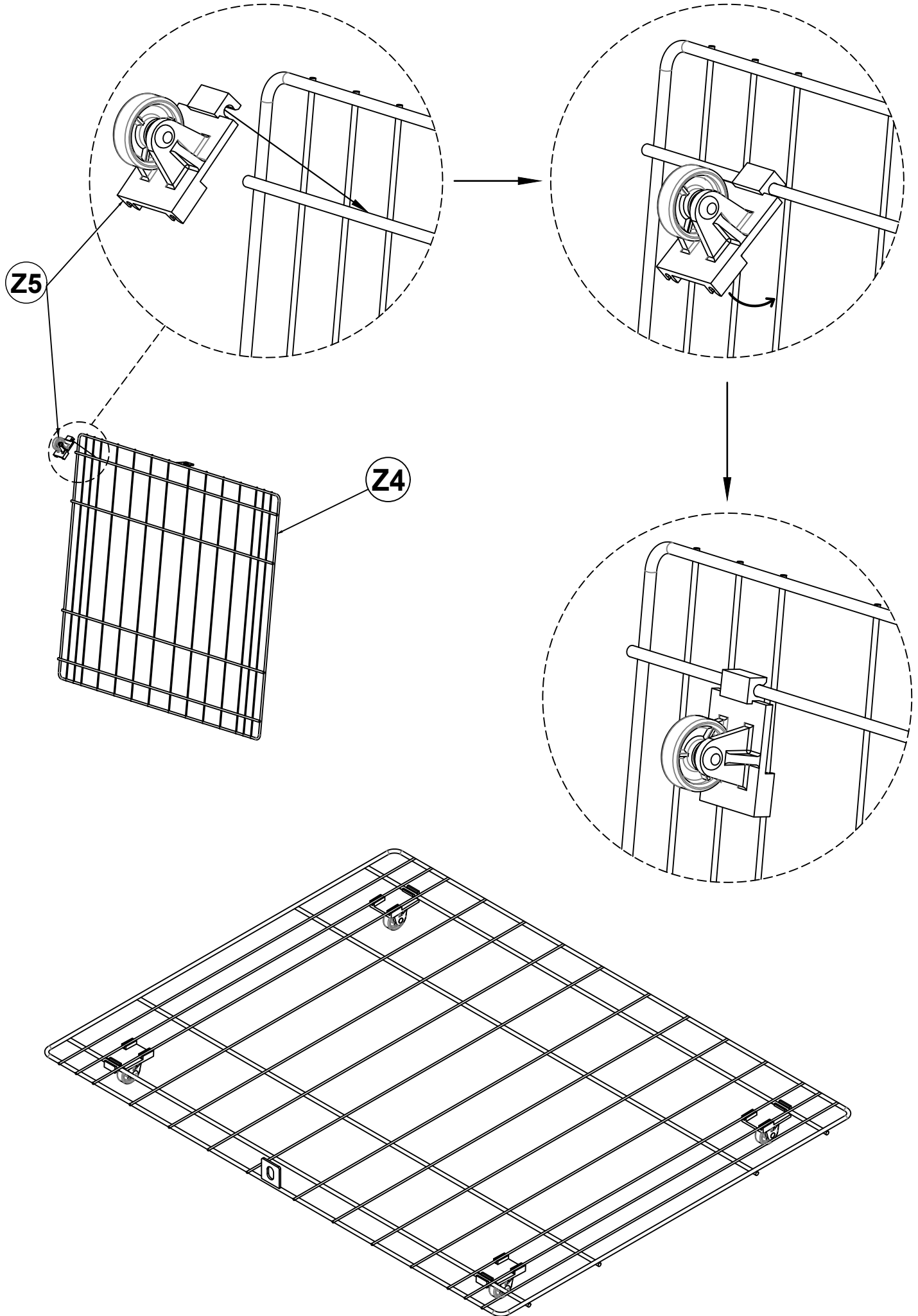


Step 14

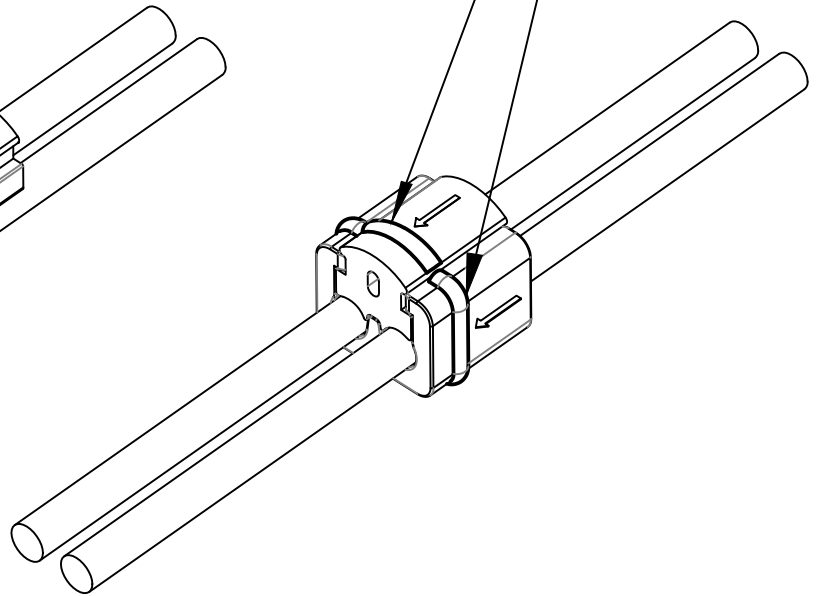
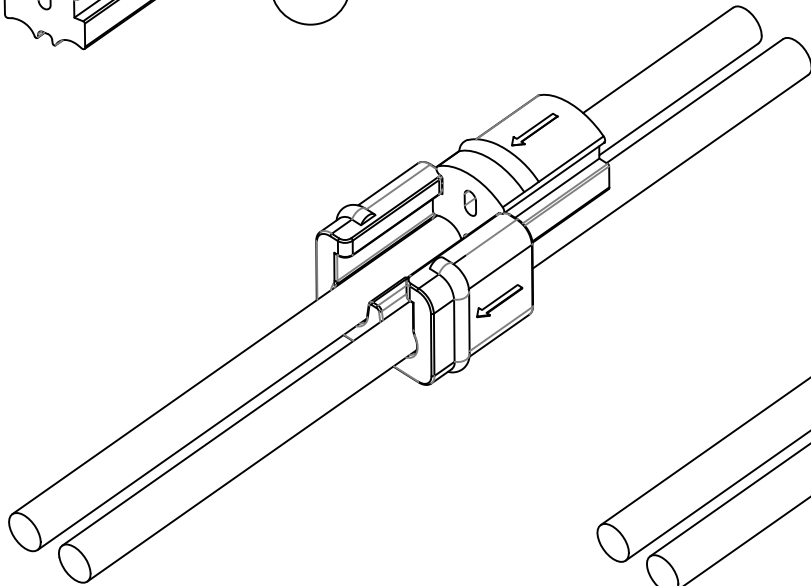
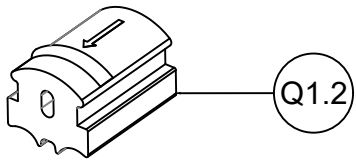
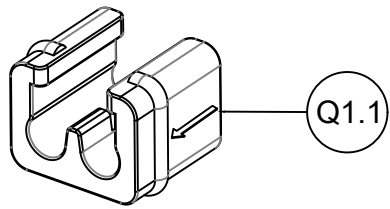
Wheel mounting position



Wheel mounting position

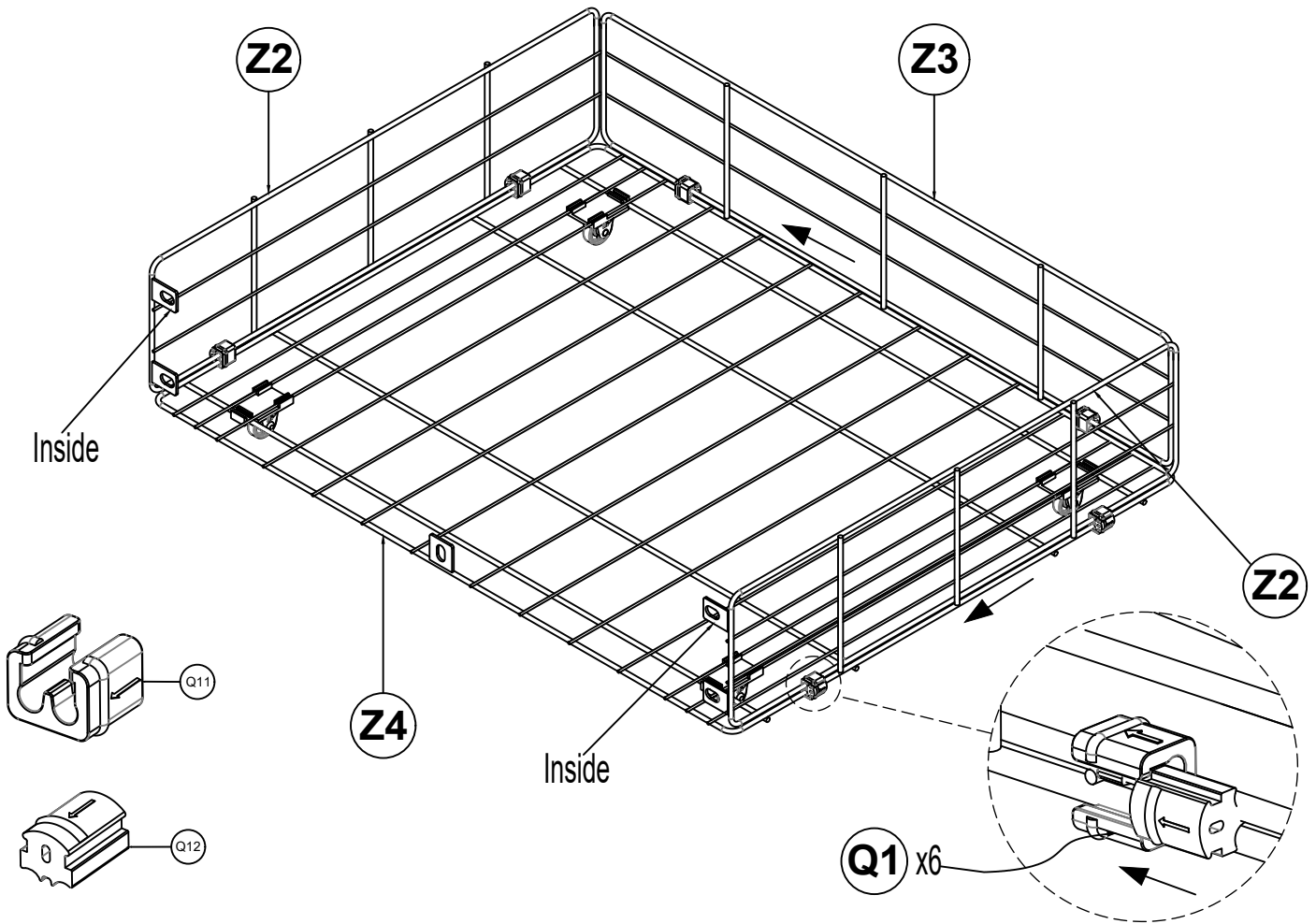


Detailed assembly instructions Q1

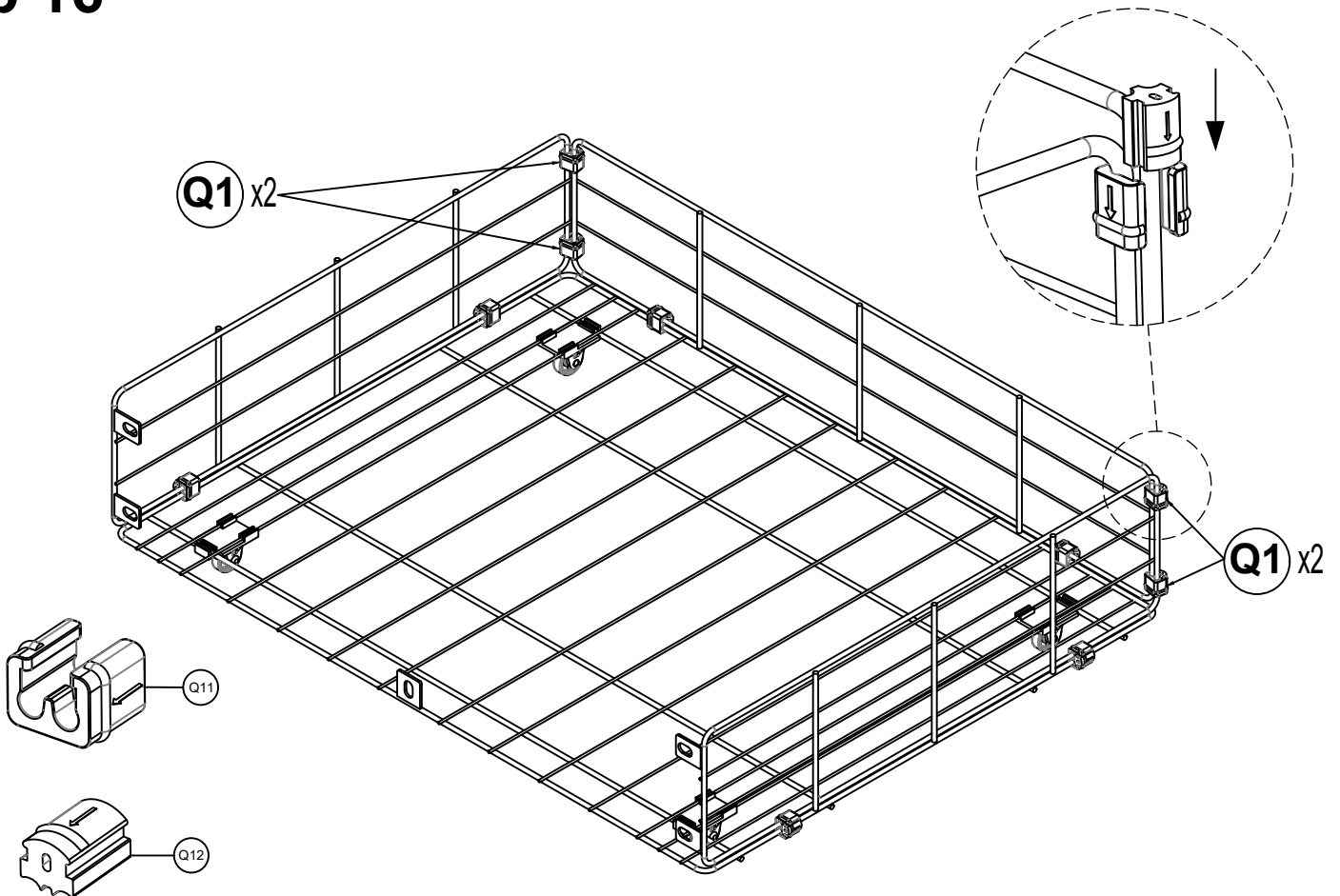


these two lines on Q1.1 and Q1.2 need to be matched

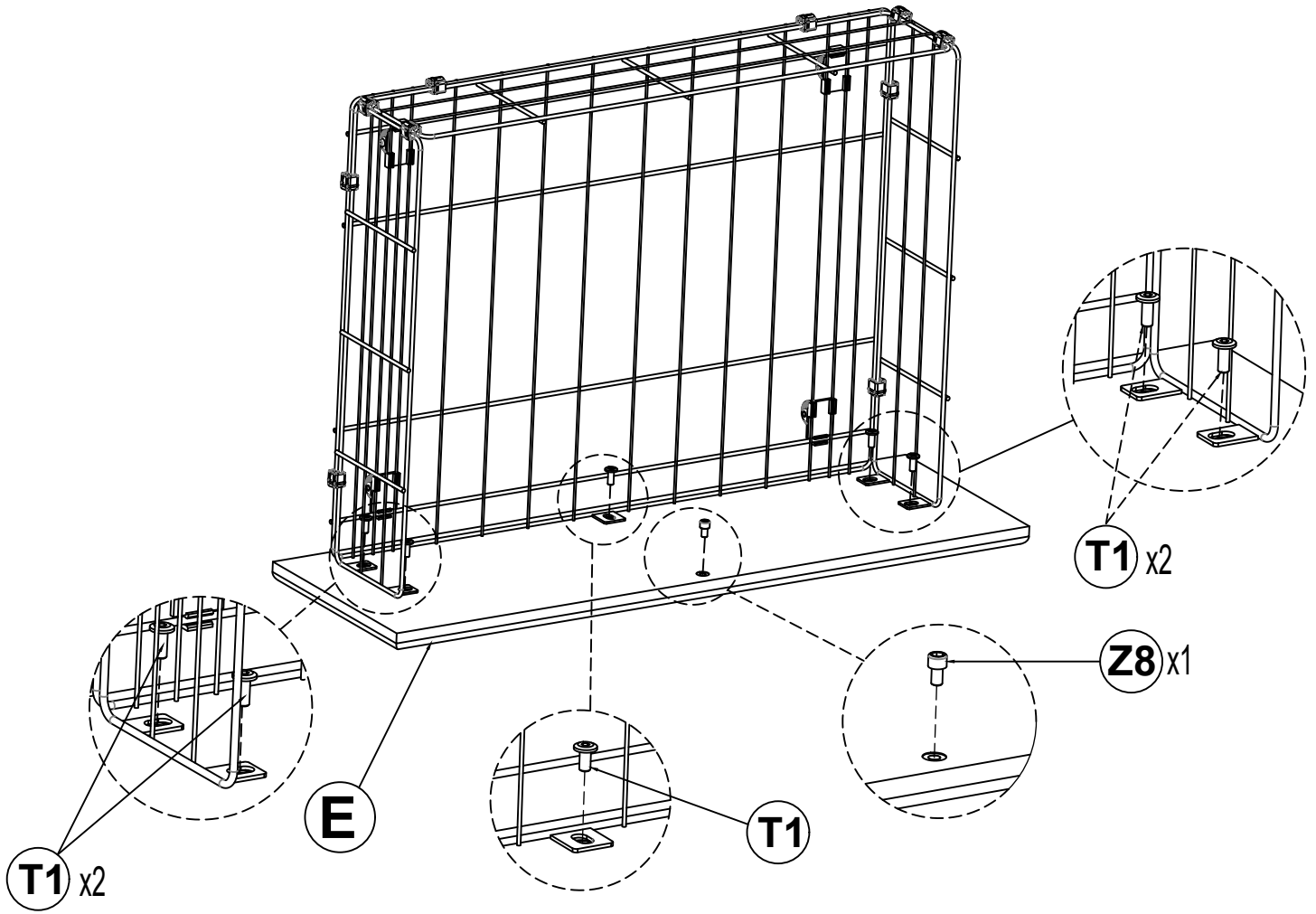
Step 15



Step 16

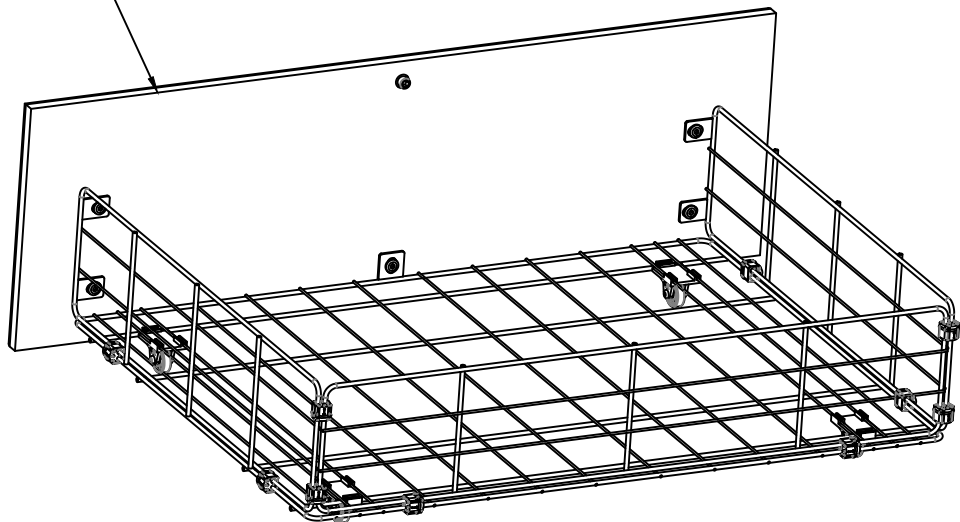


Step 17

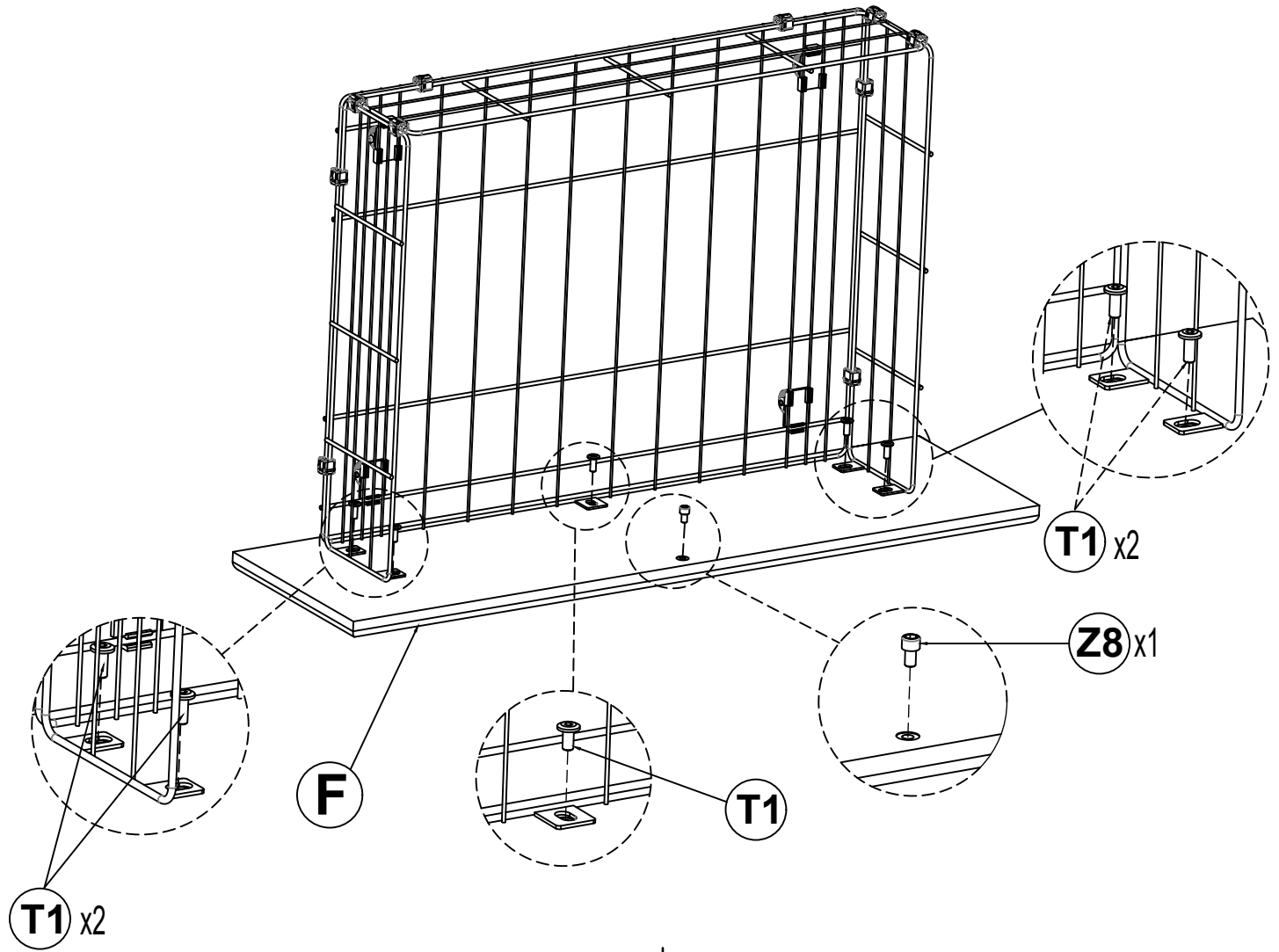


2pcs

E



Step 18



2pcs **F**

