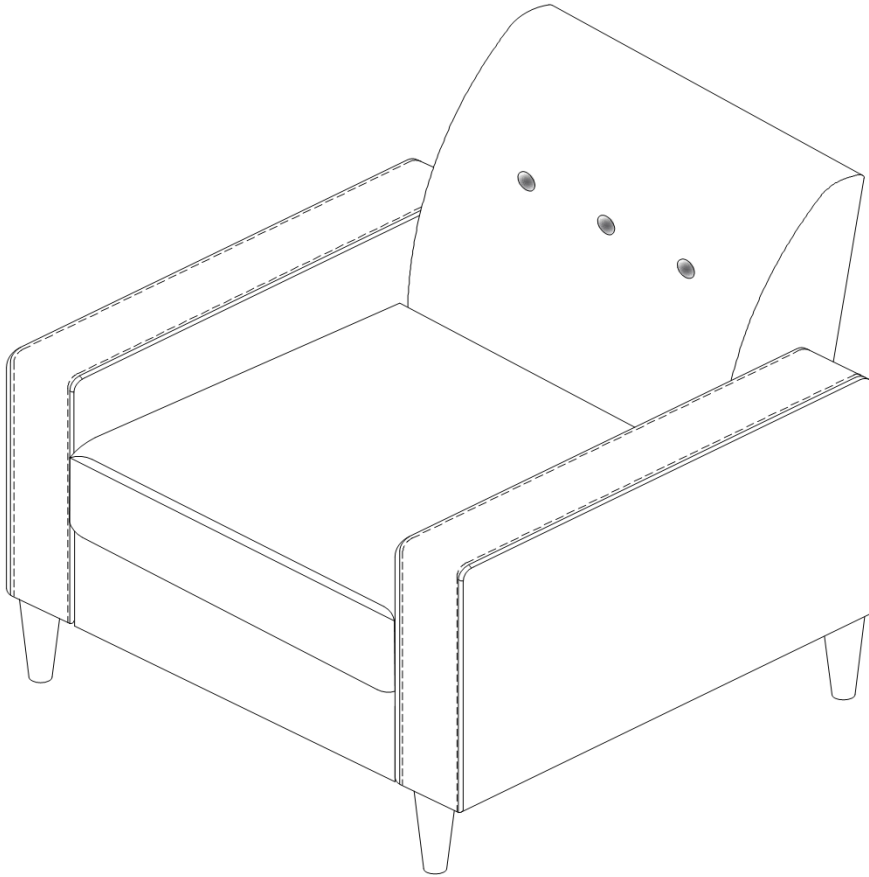


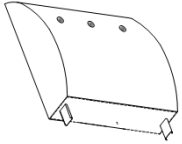
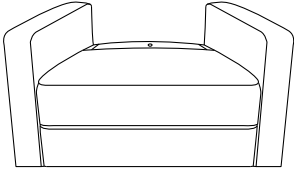

Assembly Instructions

Caution: You must read this before you proceed.




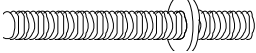

CHAIR



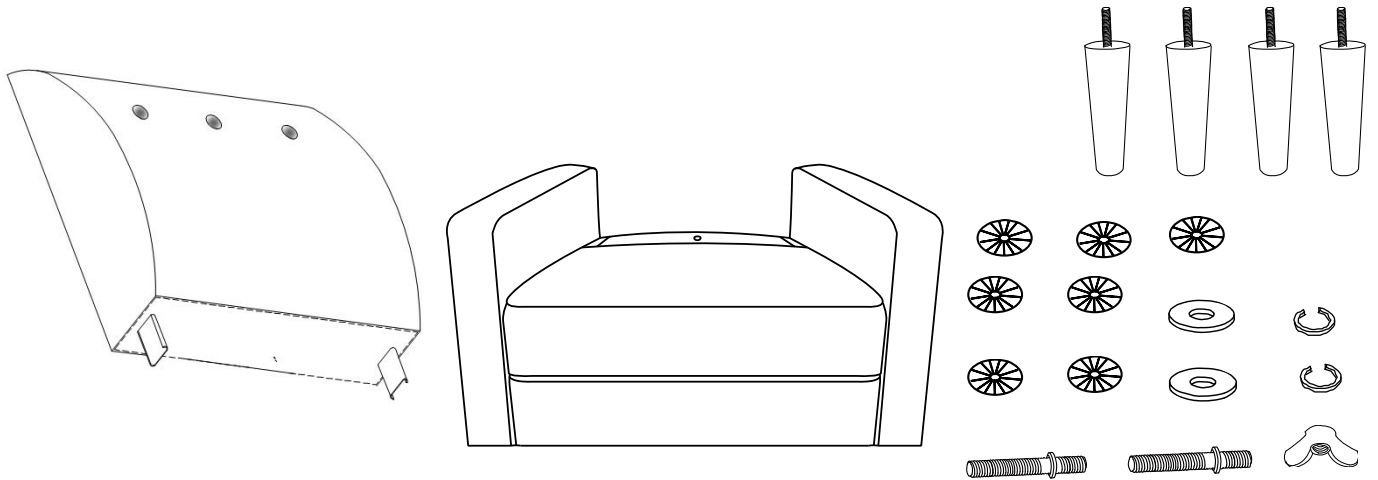
Parts List

Label	Picture	Description	Qty
A		Backrest	1
B		Seat Frame	1
C		Leg	4

Hardware

Label	Picture	Description	Qty
①		Washer Ring	7
②		Spring Washer	2
③		Flat Washer	2
④		Screw Arbor	2
⑤		Butterfly nuts	1

Assembly Preparation



- Read instructions, cover to cover-



- Have 2 adults on hand for assembly-



- Do not assemble on flooring or carpet-



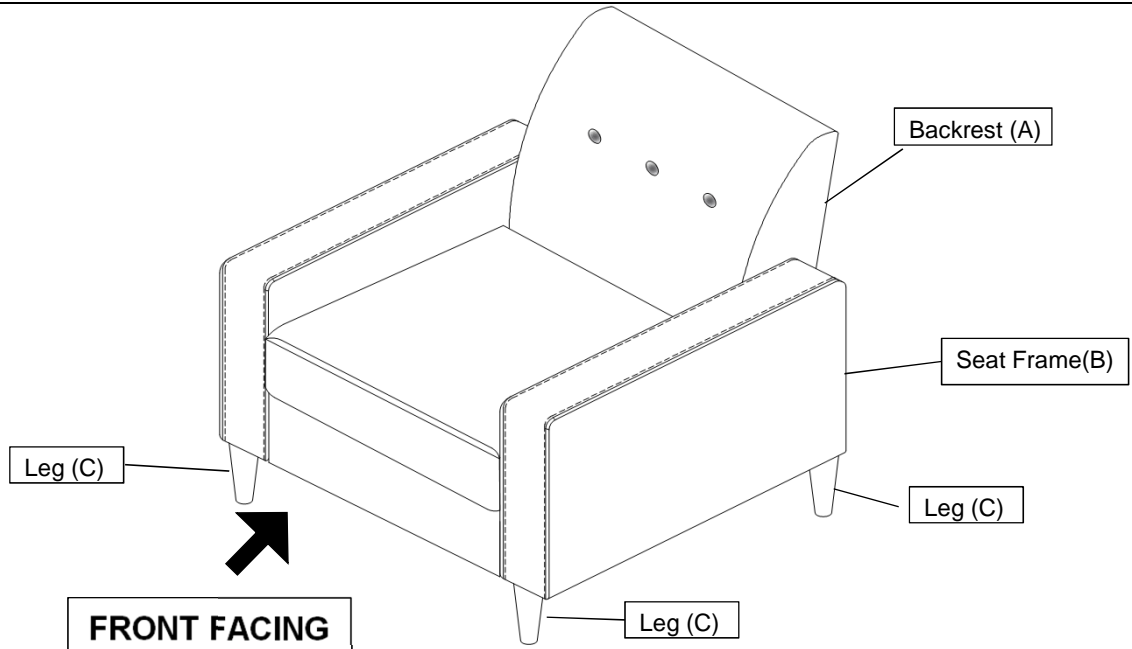
- Assemble on a clean non-marring surface (packing foam)-



- Save all packaging until finished-

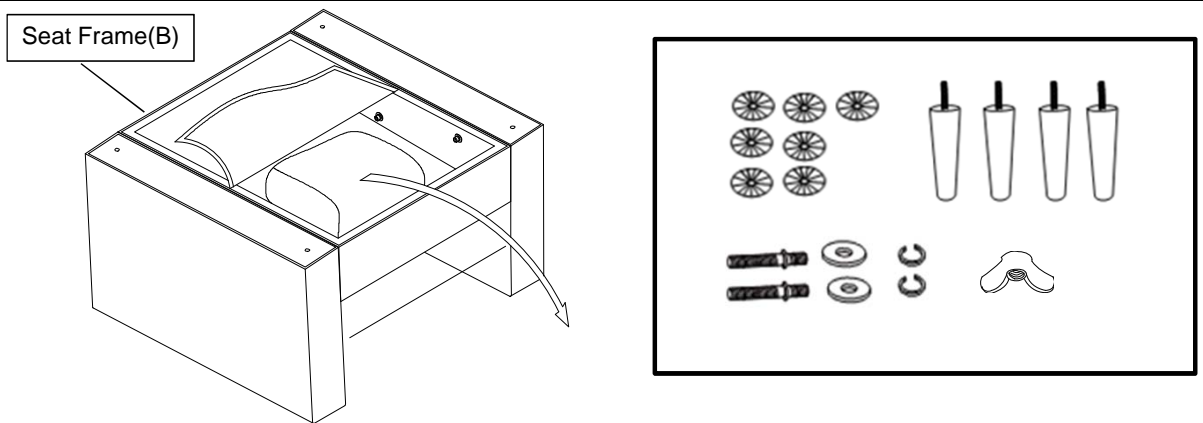
Assembly Steps

OVERVIEW



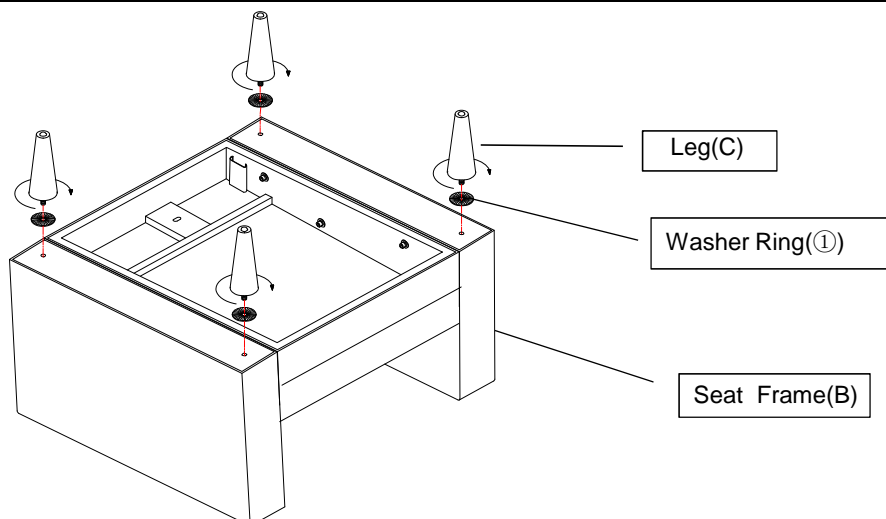
This CHAIR has multiple parts and may require up to 30 minutes to assemble. To give you an overview of the ARM CHAIR parts, the above picture is to help you put the various Chair parts into perspective. Please read through the instructions below to familiarise yourself with the parts and steps before assembly.

Step 1



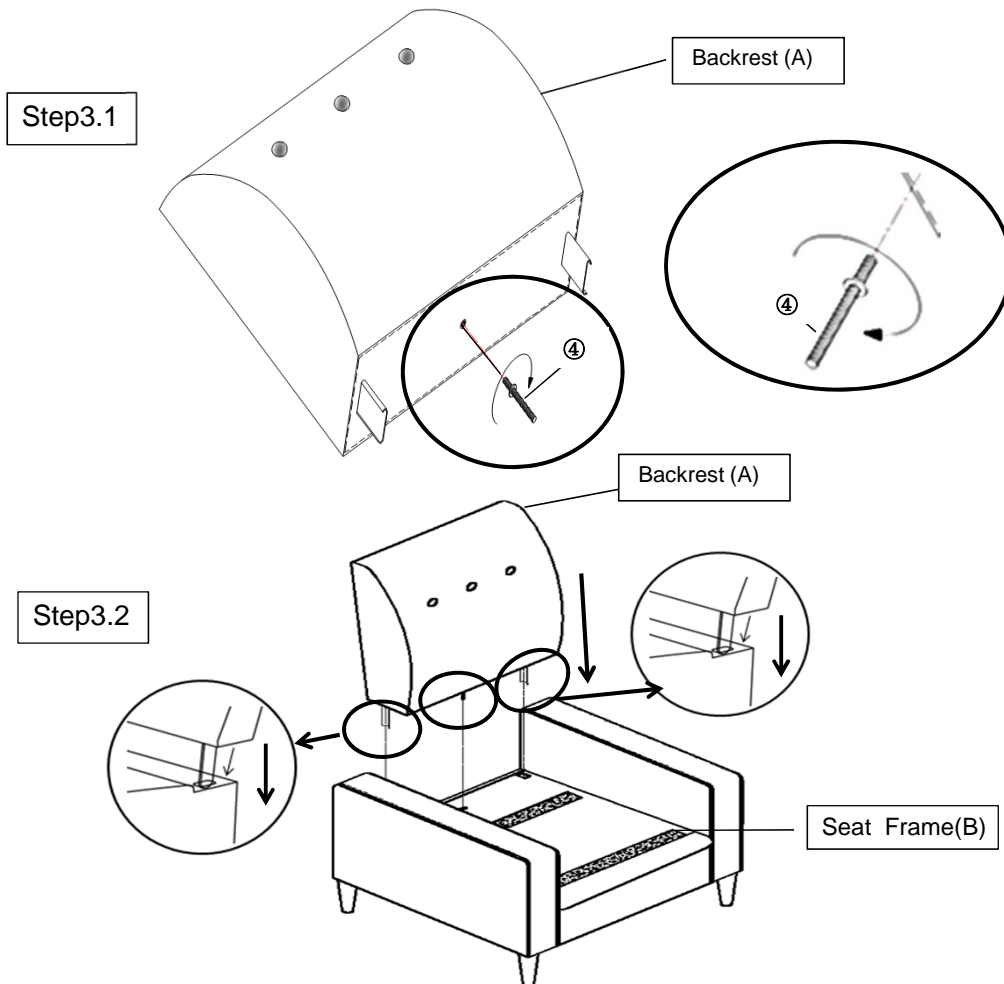
Position the Seat Frame (B) on its back, as shown. Unzip to open pouch and remove the 4 wooden legs and Hardware, close the pouch.

Step 2



Install the Legs(C) into the bottom of the Seat Frame(B) by placing a Washer Ring(①) onto the threaded stem of the Legs.
 And then insert the threaded stem into the threaded mounting position at each Corner of the Bottom Seat Frame(B).
 Tighten by turning the Legs clockwise.
 Note: The use of Washer Rings(①) are OPTIONAL and are especially useful to help alleviate slight wobbles.
 Some Legs may need more than one Washer Rings(①) whilst some Legs may not need any.
 Position Sofa right side up and test for stability on a Level Surface.
 Add or remove Washer Rings(①) where needed to achieve stability.

Step 3

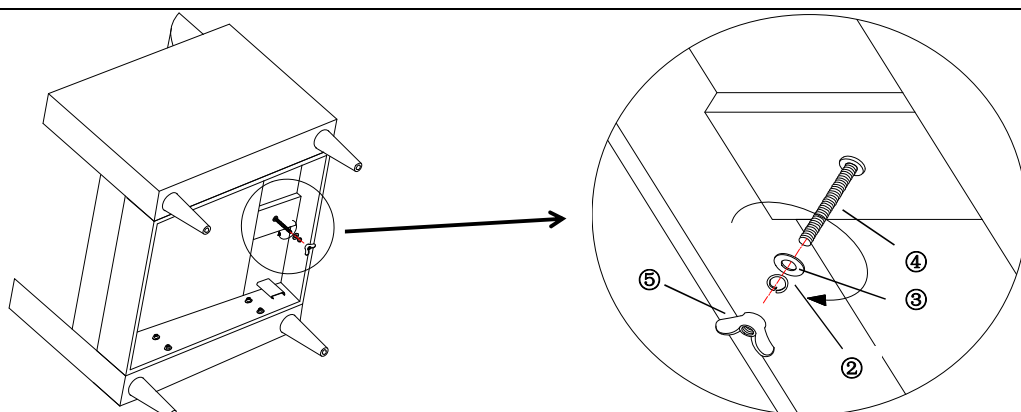


Step 3.1 Screw-in the short end of Screw Arbor(④) into Backrest(A) , by hand, turning clockwise as shown.

Step 3.2 Remove the Seat cushion, Insert Backrest(A) into Seat Frame (B) in the down direction as shown.

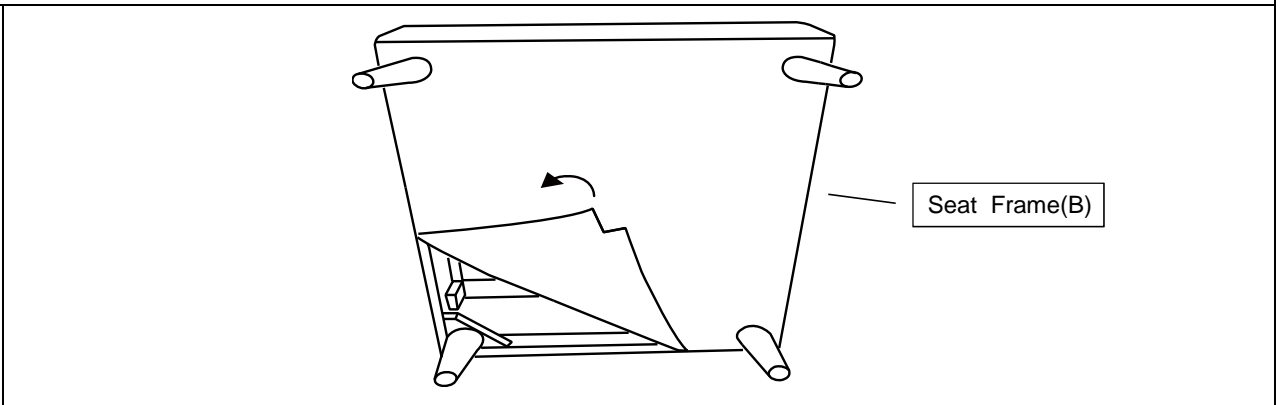
NOTE: After Step 3.2, remember put the Seat Cushion on the Seat Frame(B).

Step 4



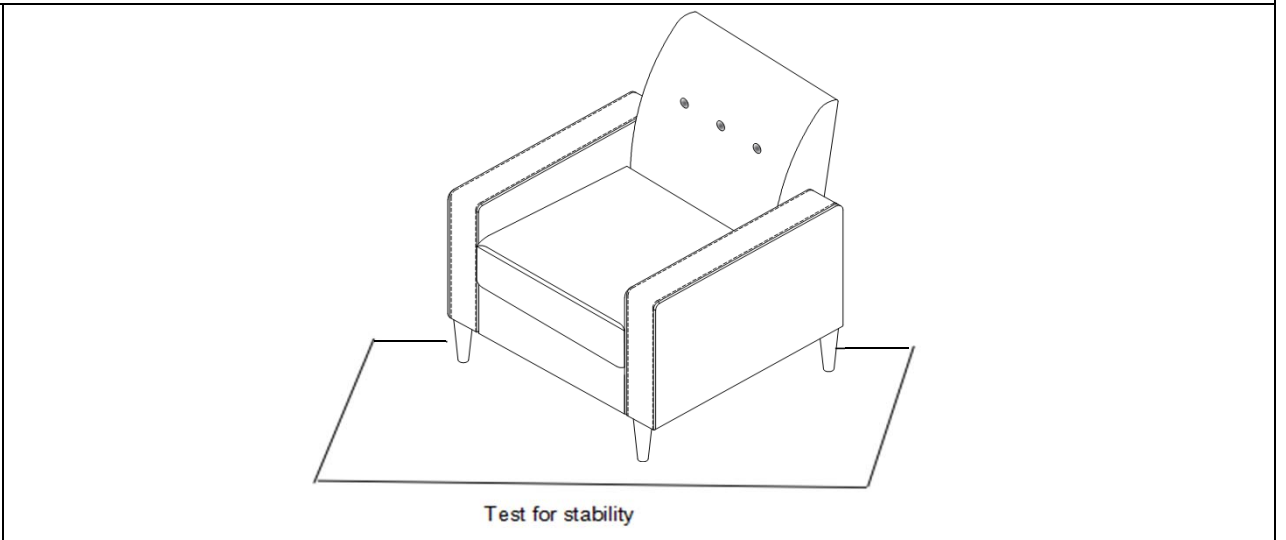
Lay the Chair on a flat surface as shown.
Connect Backrest(A) with Seat Frame(B) using Screw Arbor(④), Flat Washer(③), Spring Washers(②) with Butterfly nut(⑤) as shown.
Tighten Butterfly Nut at joints in a sequential manner until fully secure.

Step 5



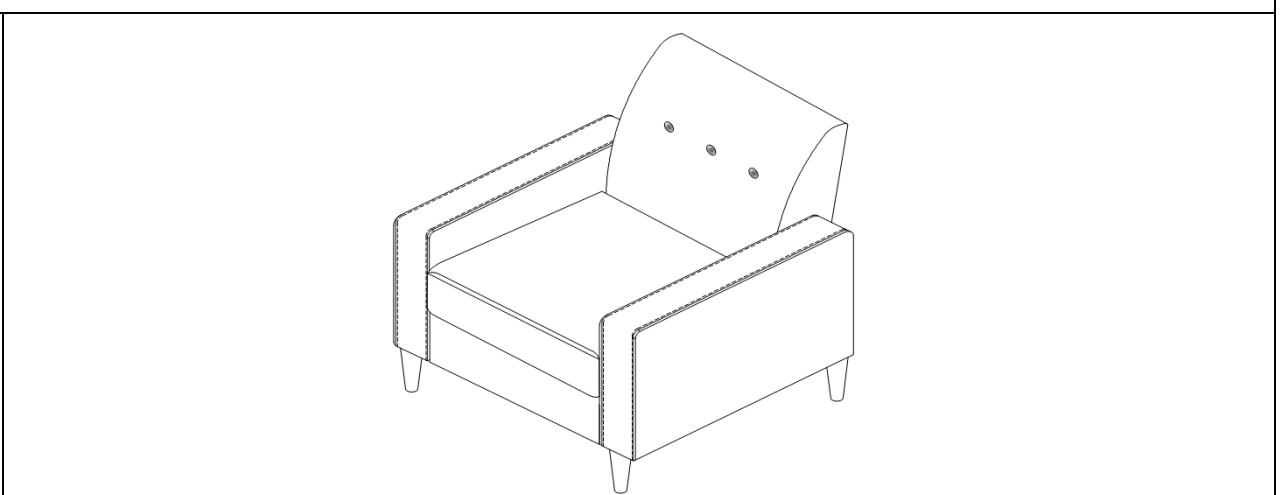
Cover the bottom of the Seat Frame (B) with the non-woven fabric.
Smooth down the Magic Tape on all four sides of the Seat by hand.

Step 6













Add or remove Washer Rings(①) where needed to achieve stability
Note: The use of Washer Rings(①) are OPTIONAL and is especially useful to help alleviate slight wobbleness. Some Legs may need more than one Washer Rings(①) whilst some Legs may not need any.
Position Right arm sofa right side up and test for stability.

Step 7



Your Chair is ready for use.
This Chair can only be used on a flat, level surface.

Care & Maintenance

-  ● Do not put hot items directly on furniture surface
 -  ● Do not clean furniture with harsh cleansers or polish.
 -  ● Do not place furniture under direct sunlight.
 -  ● Do not place furniture near heating or cooling vents.
 -  ● Do not write on furniture without a padded barrier to protect the surface.
 -  ● Do not place furniture outside . For indoor use only .
 -  ● Not for commercial use. For residential use only .
 -  ● Stains may be removed with mild soap solution and damp cloth.
 -  ● Children should not climb or jump on the furniture.
-
-  ● Dust and pick-up spills using a clean, non-colored, lint-free cloth .

What is Proposition 65?

Proposition 65 is a California law that requires warning labels on products that may contain one of more than 800-plus chemicals or ingredients that the California Office of Environmental Health Hazard Assessment (OEHHA) has deemed to cause cancer or other reproductive toxicity. Chemicals and elements on this list include wood dust, brass, and other everyday substances, which can be found in very common household items, such as: lamps, tableware, jewelry, crystal glasses, electric cords, beauty products, automobiles, and furniture.

Why Did I Find a Proposition 65 Warning on My Home Goods Product?

We include Proposition 65 warnings on all of our products because there is always a chance that one of the 800-plus common chemicals and ingredients listed under this law could potentially be on our furniture or packing materials. We risk large fines under this law, if we don't include this warning.

Should I worry?

We realize you may be worried finding this warning on our products, but we want to reassure you that the hazardous exposure limits for any of these chemicals have never been found on furniture products that we've shipped to our customers. Additionally, this warning label is very common and can be found on almost every piece of furniture sold in the state of California.

Just How Common Are Proposition 65 Warnings?

Proposition 65 warnings have become so common in California that it is hard to take a trip to a local bank, grocery store, or restaurant without finding at least one warning. In fact, even the Disneyland Resort has a Proposition 65 warning:

