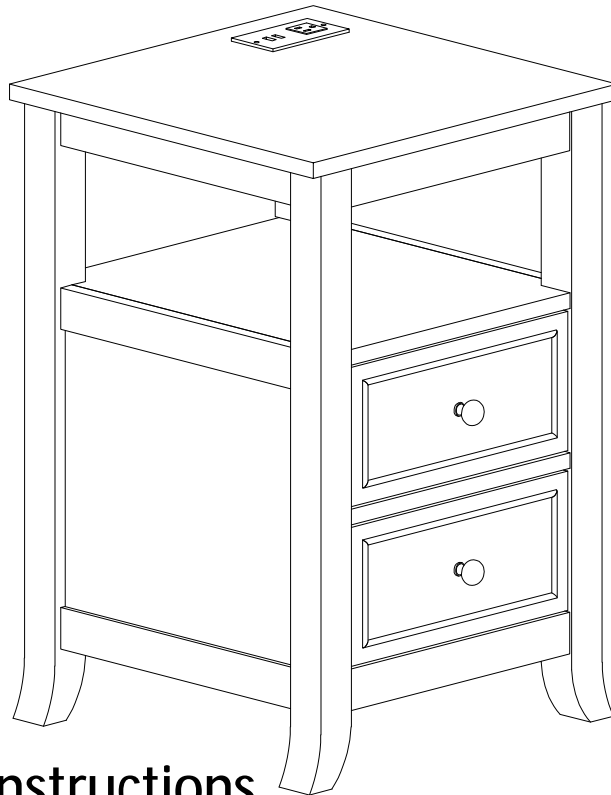




CONVENIENCE CONCEPTS

MELBOURNE END TABLE WITH CHARGING STATION 7104645



Assembly instructions

We have designed our furniture with you, the customer in mind. Our clear, easy to follow step by step instructions will guide you through the project from start to finish. Feel confident that this will be a fun and rewarding project. The final product will be a quality piece of furniture that will go together smoothly and give years of enjoyment.

Please do not return to the store
Broken or missing Hardware? Need help
with Assembly?



Our Illinois based customer service team is ready to help with any problems or questions you may have. Please give us a call (Toll Free) at 1-800-468-6447, or email us at parts@convenience-concepts.com.


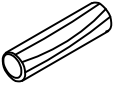


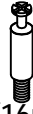


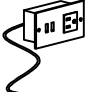
Normal hours of Operation: M - F* 8 am - 4 pm CST


* Excludes Holidays.

This product's warranty is only valid through authorized dealers.

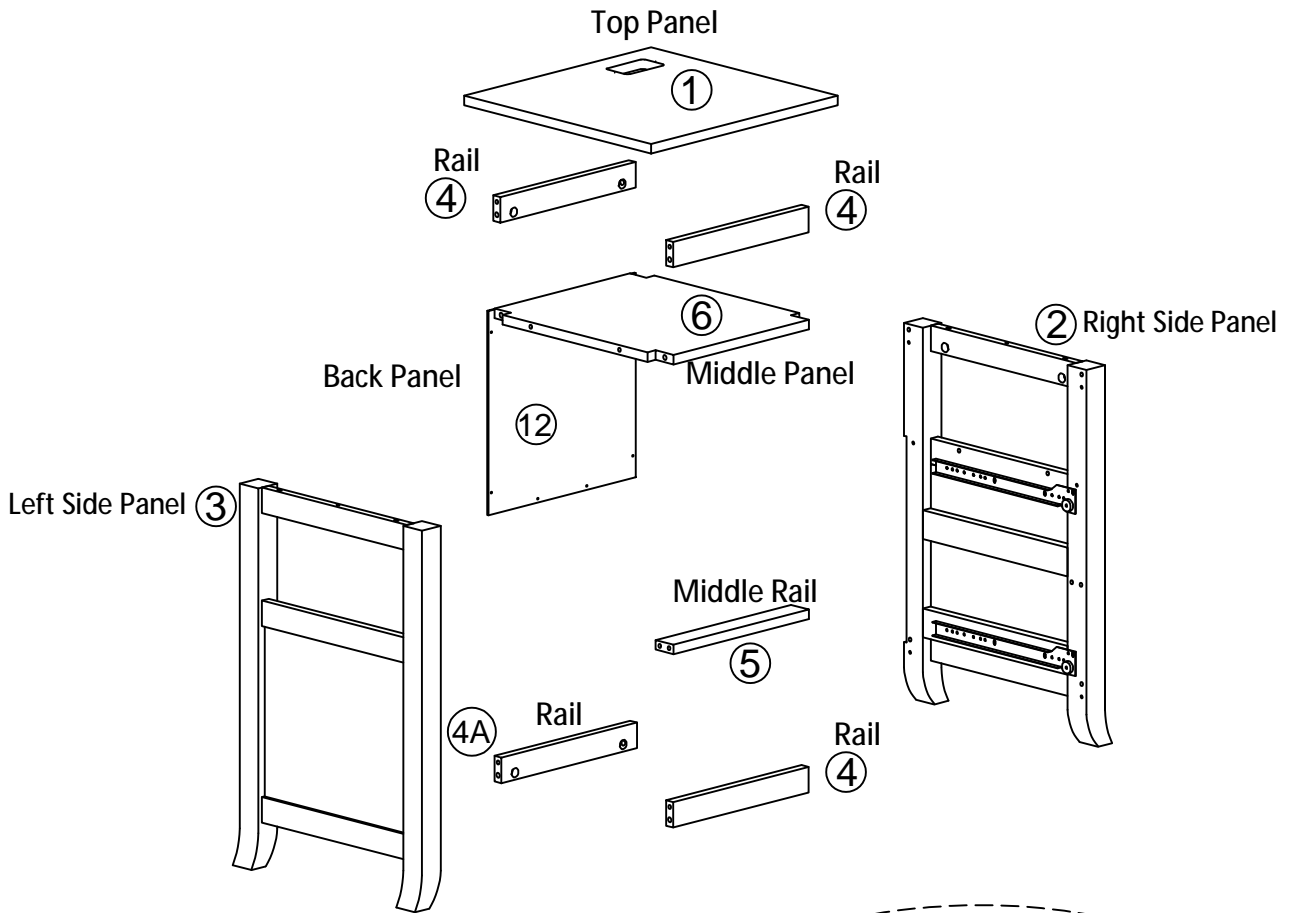
Please verify all parts are present before beginning assembly

Hardware List

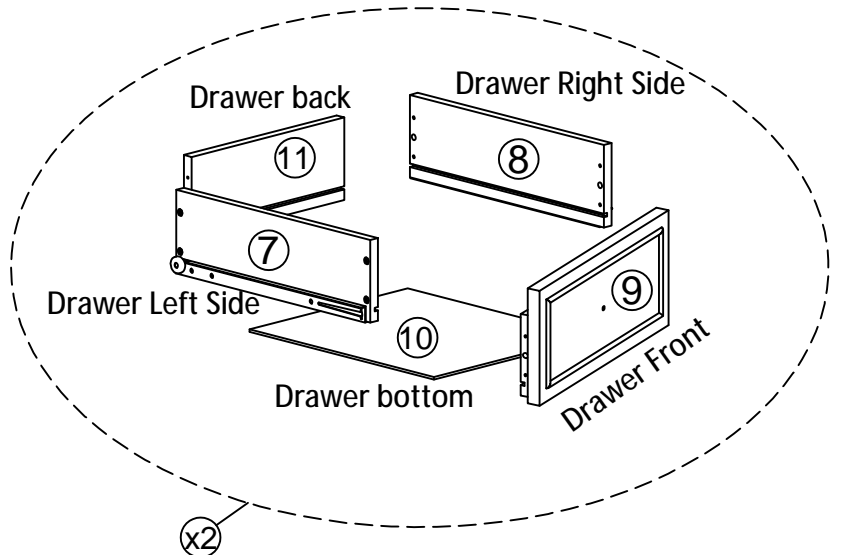
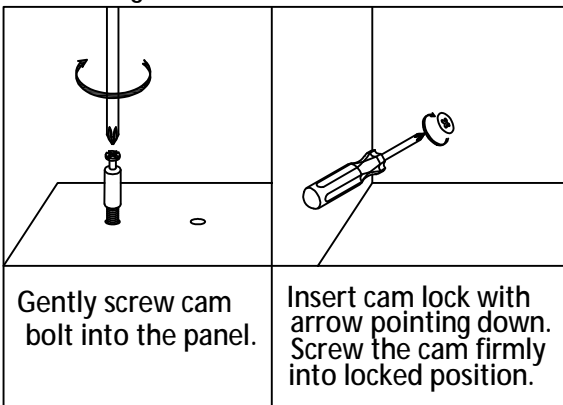
							
A (16pcs)	B (26pcs)	C (2pcs)	D (2pcs)	E (16pcs)	F (16pcs)	G (8pcs)	K (1pc)
Medium Screw	Wooden Dowel	Knob Screw	Knob	Cam Bolt	Cam Lock	Round head Screw	Charging Station


N (2pcs)
Screw

Parts List

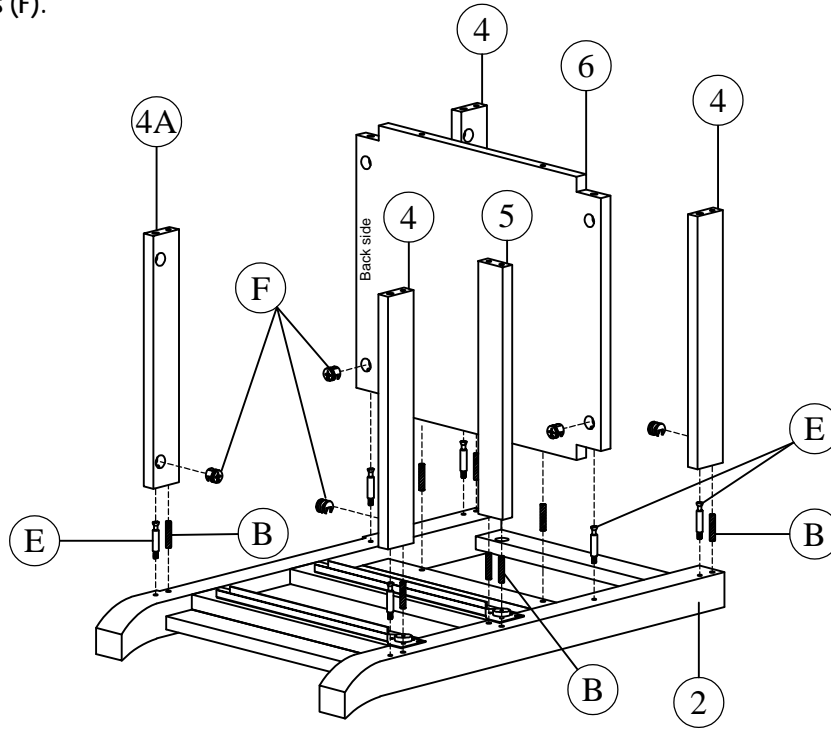


Assembling the unit with cams .



Step 1

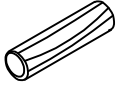
1. Screw Cambolts (E) and insert Wood Dowels (B) into Right Side Panel (2).
2. Insert Camlocks (F) into Middle Panel (6), Rails (4), Rails (4A) make sure that arrows on camlocks face toward bolt holes.
3. Connect Middle Panel (6), Rails (4), Rail (4A), Middle Rail (5) to Right Side Panel (2) by gently tightening Camlocks (F).



F (6pcs)



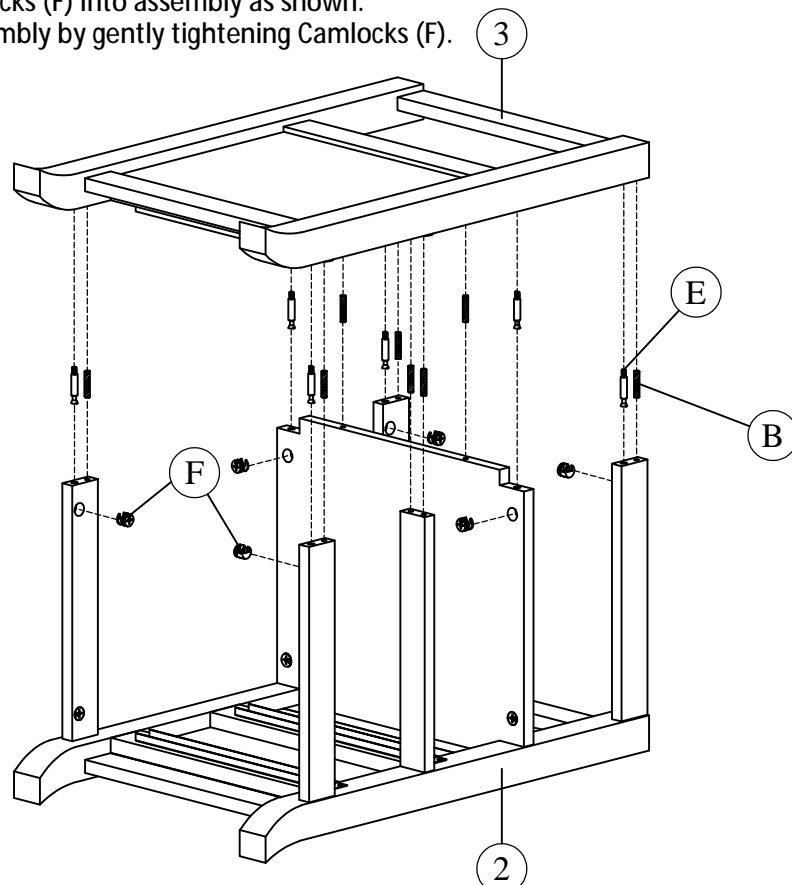
E (6pcs)



B (8pcs)

Step 2

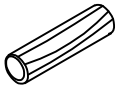
1. Screw Cambolts (E) into Left Side Panel (3)
2. Insert Wood Dowels (B) and Camlocks (F) into assembly as shown.
3. Connect Left Side Panel (3) to assembly by gently tightening Camlocks (F).



F (6pcs)



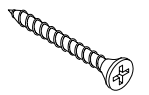
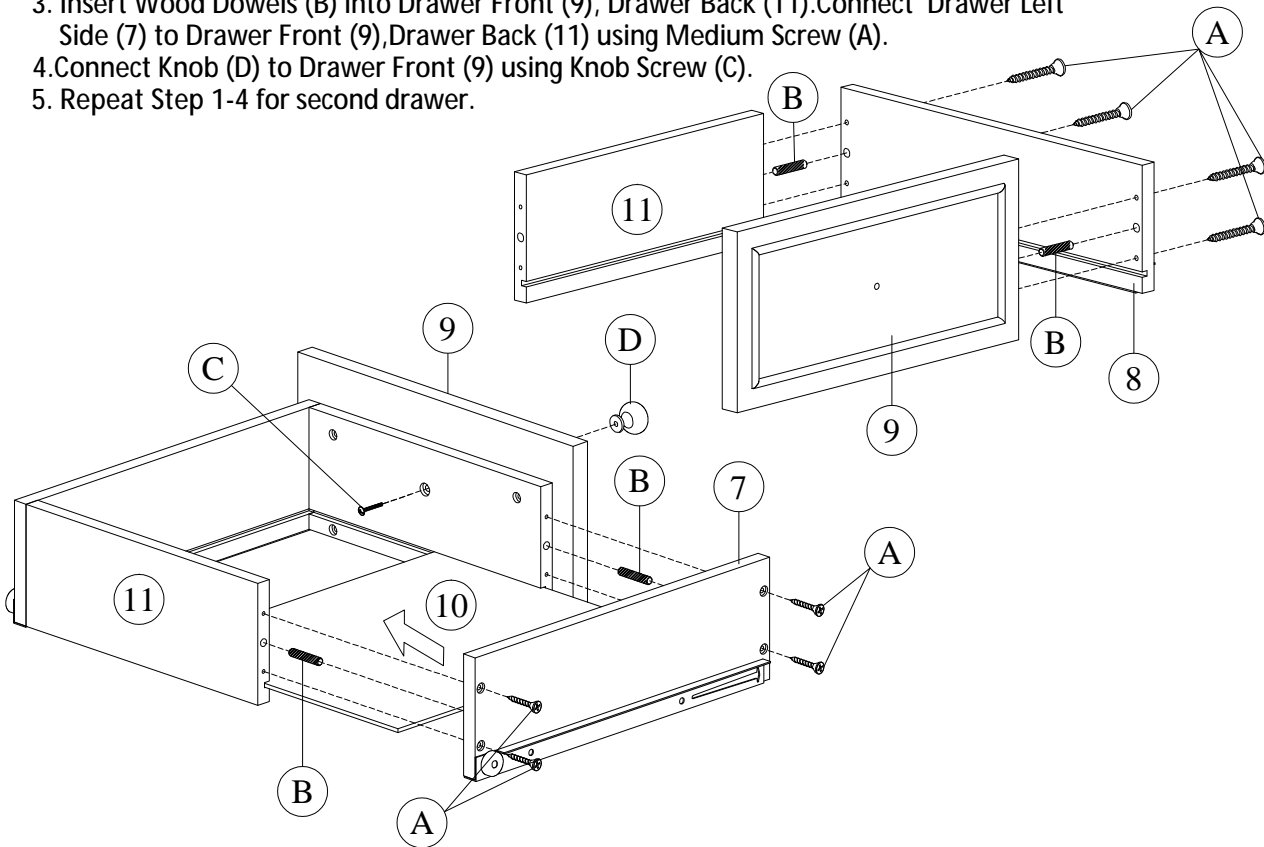
E (6pcs)



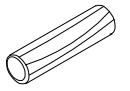
B (8pcs)

Step 3

1. Insert Wood Dowels (B) into Drawer Front (9), Drawer Back (11). Connect Drawer Right Side (8) to Drawer Front (9), Drawer Back (11) using Medium Screws (A)
2. Slide Drawer Bottom (10) into grooves of drawer assembly.
3. Insert Wood Dowels (B) into Drawer Front (9), Drawer Back (11). Connect Drawer Left Side (7) to Drawer Front (9), Drawer Back (11) using Medium Screw (A).
4. Connect Knob (D) to Drawer Front (9) using Knob Screw (C).
5. Repeat Step 1-4 for second drawer.



A (16pcs)



B (8pcs)



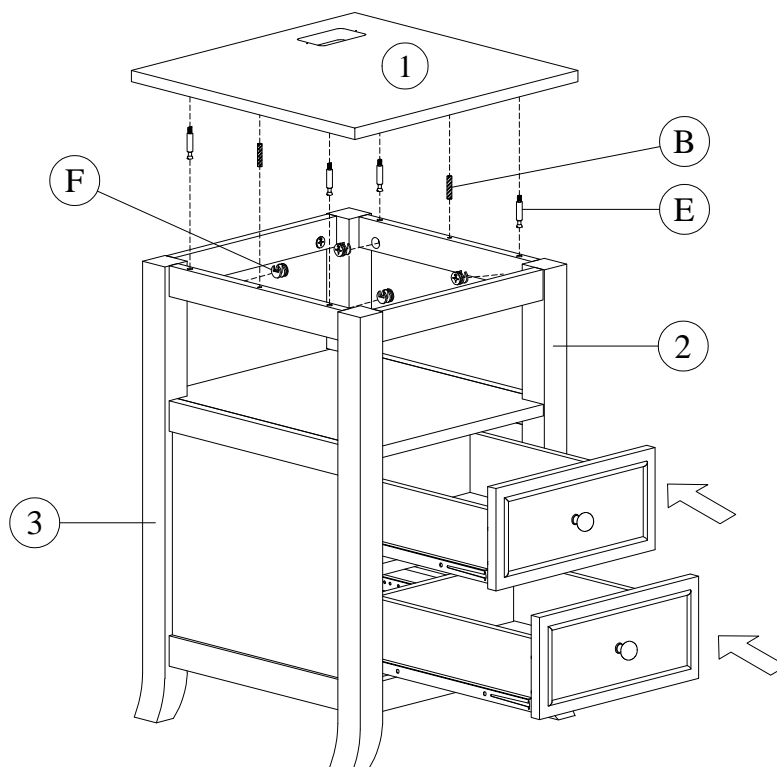
D (2pcs)



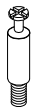
C (2pcs)

Step 4

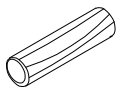
1. Screw Cambolts (E) into Top Panel (1).
2. Insert Wooden Dowels (B) into Left Side Panel (3) and Right Side Panel (2).
3. Connect Top Panel (1) to assembly by gently tightening Camlocks (F).
4. Carefully slide both drawers into assembled unit.



F (4pcs)



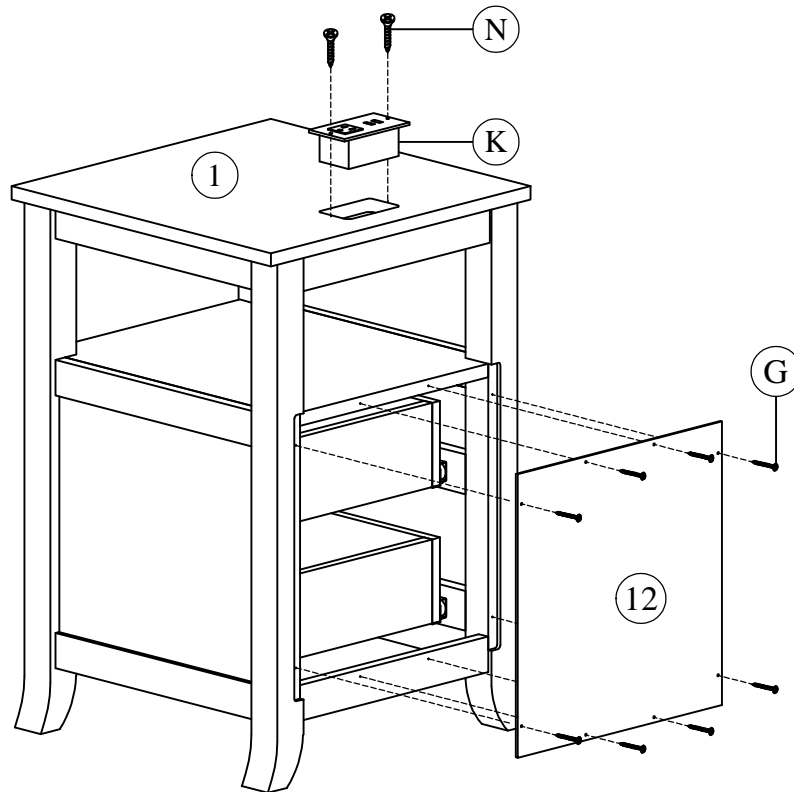
E (4pcs)



B (2pcs)

Step 5

1. Attach Charging Station (K) to Top panel (1) by using Screws (N).
2. Attach Back Panel (12) to assembled unit using Round Head Screws (G).



K (1pc)



N (2pcs)



G (8pcs)

Final

1. Enjoy !

