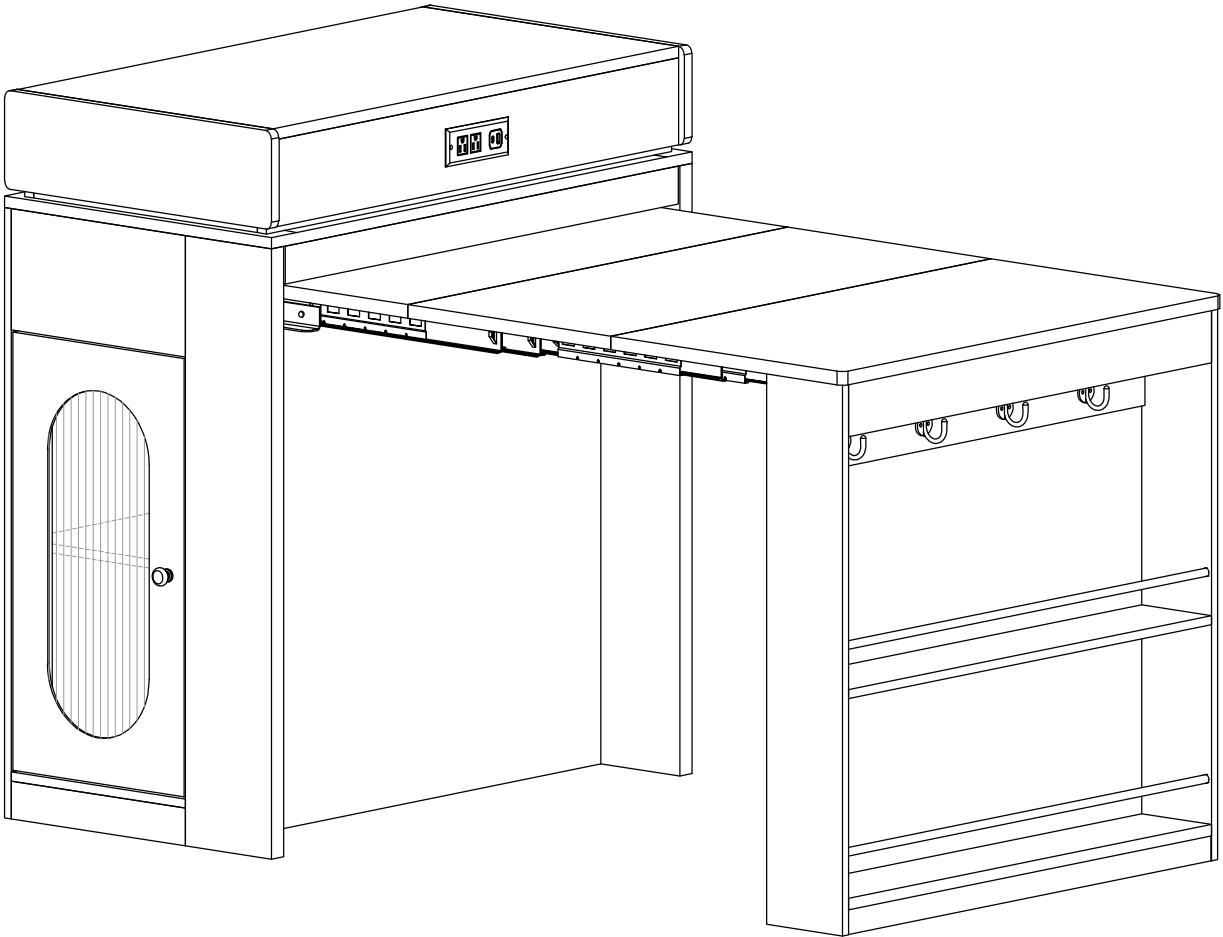


# ASSEMBLY INSTRUCTION

## EXTENDABLE TABLE



# ASSEMBLY INSTRUCTION

## Important - Please read these instructions fully before starting assembly

- Check you have all the components and tools listed on the following pages.
- Remove all fittings from the plastic bags and separate them into their groups.
- Keep children and animals away from the work area, small parts could choke if swallowed.
- Make sure you have enough space to layout the parts before starting.

- During assembly do not stand or put weight on the product, this could cause damage.
- Assemble the item as close to its final position (in the same room) as possible.
- Assemble on a soft level surface to avoid damaging the unit or your floor.
- Parts of the assembly will be easier with 2 people.



your power drill is set on low torque setting.

- To reduce the likelihood of damaging your product please ensure that

## Care and maintenance

- Only clean using a damp cloth and mild detergent, do not use bleach or abrasive cleaners.
- From time to time check that there are no loose screws on this unit.
- This product should not be discarded with household waste. Take to your local authority waste disposal centre.

## Handy Hints

- Assemble all parts and bolts loosely during assembly, only once the product is complete should you fully tighten the bolts
- Regularly check and ensure that all bolts and fittings are tightened properly.

## WARNING

**In order to help prevent overturning - please follow these instructions**

To help prevent product toppling over please follow the below steps:-

Use the anti tip strap or wall fixing method provided (if applicable)

Do not allow children to climb or hang on the furniture

Do not open more than one drawer at a time

Do not place heavy items in the top drawers

Do not place heavy items on top of the furniture, unless the furniture has been designed for this purpose

Please note that only the anti tip strap is provided.

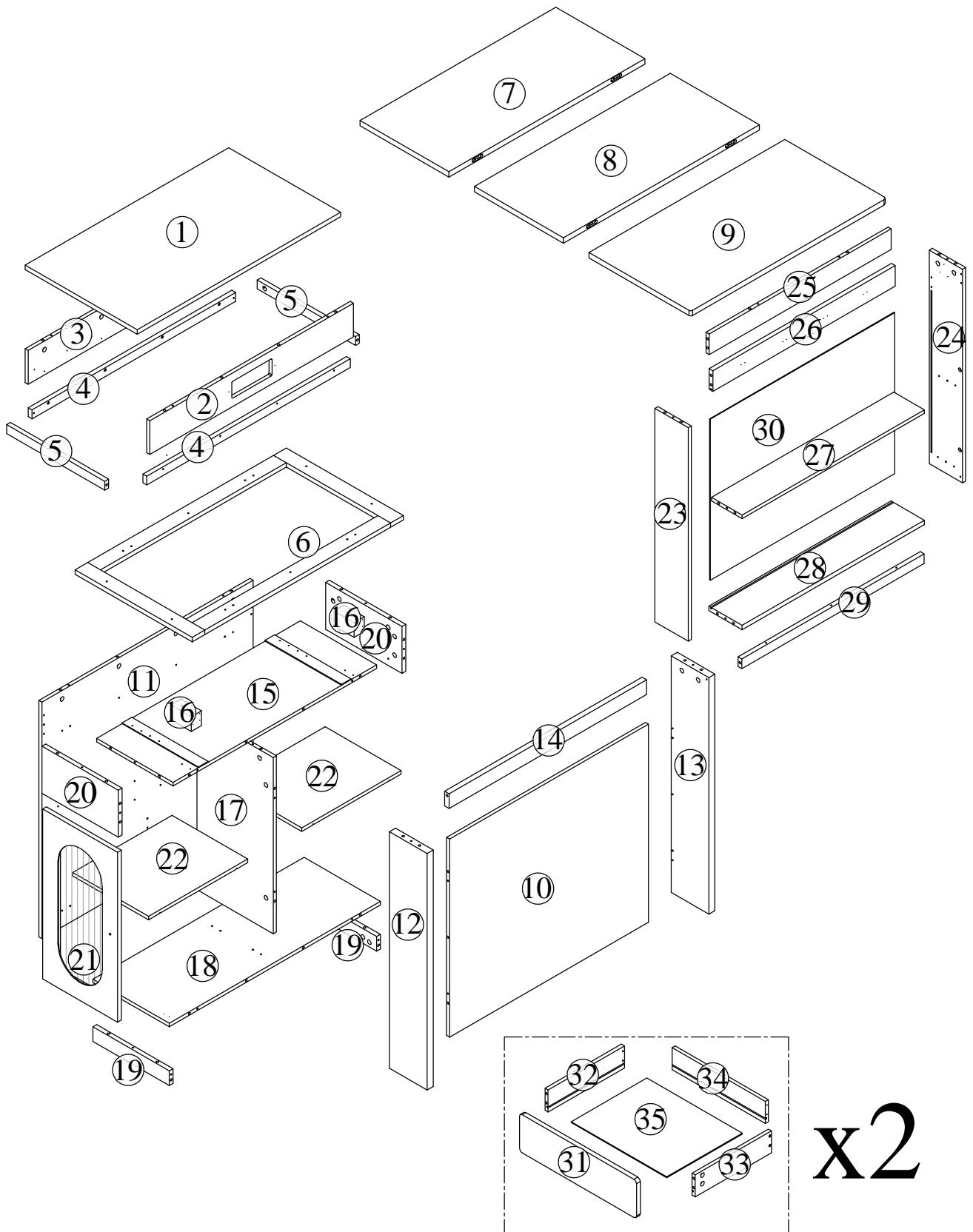
You will need to provide wall plugs and screws applicable for your wall type

## Tools required



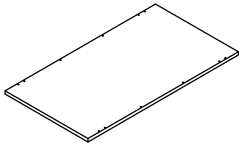
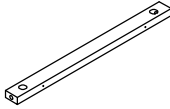
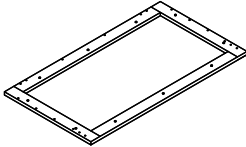
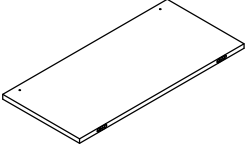
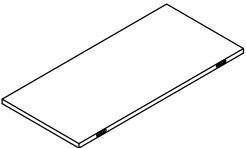
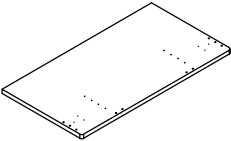
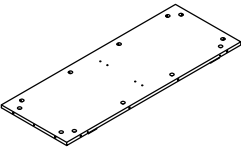
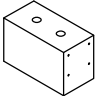
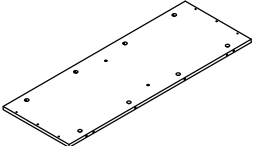
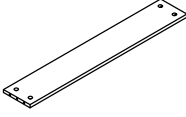
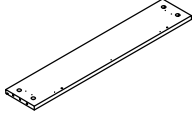
Screwdrivers can be converted to Phillips and Slotted.

# ASSEMBLY INSTRUCTION



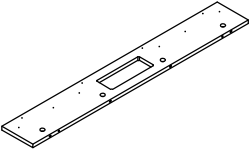
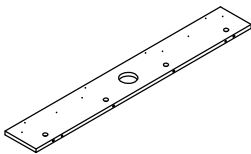
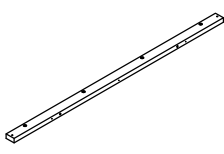
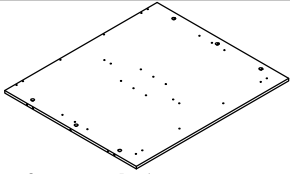
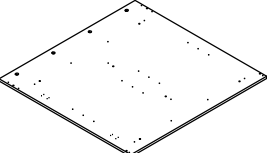
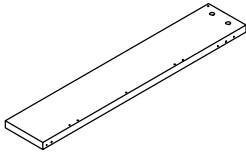
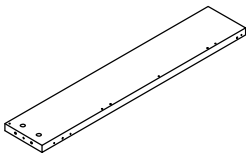
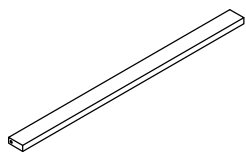
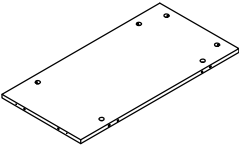
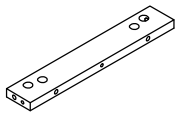
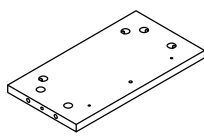
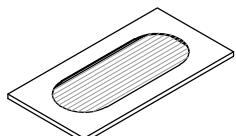
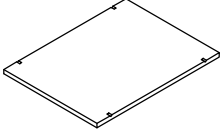
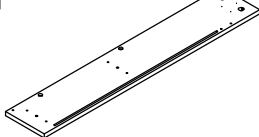
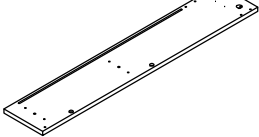
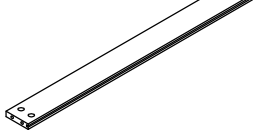
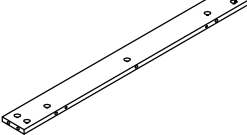
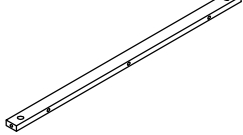
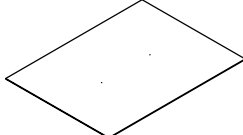
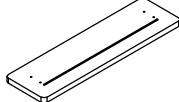
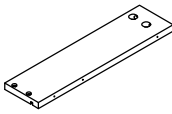
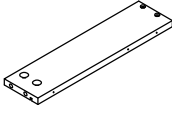
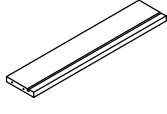
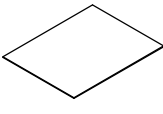
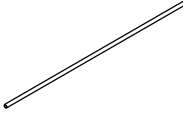
# ASSEMBLY INSTRUCTION

## PART LIST

<b>1</b>  Top panel - 1pc	<b>5</b>  Up side bottom panel - 2pcs	<b>6</b>  Middle frame - 1pc	<b>7</b>  Top panel - 1pc
<b>8</b>  Top panel - 1pc	<b>9</b>  Top panel - 1pc	<b>15</b>  Middle panel - 1pc	<b>16</b>  Little piece of wood - 2pcs
<b>18</b>  Bottom panel - 1pc	<b>27</b>  Middle panel of the activity rack - 1pc	<b>28</b>  Bottom panel of the activity rack - 1pc	

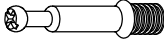


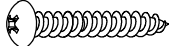

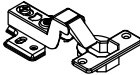

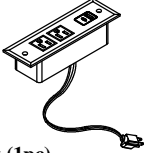
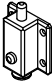

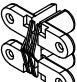







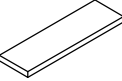


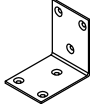

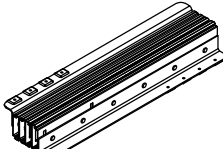

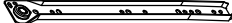
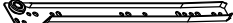


# ASSEMBLY INSTRUCTION

## PART LIST

<p><b>2</b></p>  <p>Up front panel - 1pc</p>	<p><b>3</b></p>  <p>Up back panel - 1pc</p>	<p><b>4</b></p>  <p>Up front and back bottom rail - 2pcs</p>	<p><b>10</b></p>  <p>Lower front panel - 1pc</p>
<p><b>11</b></p>  <p>Lower back panel - 1pc</p>	<p><b>12</b></p>  <p>Left side panel - 1pc</p>	<p><b>13</b></p>  <p>Right side panel - 1pc</p>	<p><b>14</b></p>  <p>Middle rail - 1pc</p>
<p><b>17</b></p>  <p>Neutral plate - 1pc</p>	<p><b>19</b></p>  <p>Rail - 2pcs</p>	<p><b>20</b></p>  <p>Side panel - 2pcs</p>	<p><b>21</b></p>  <p>Door - 1pc</p>
<p><b>22</b></p>  <p>Adjustable shelf - 2pcs</p>	<p><b>23</b></p>  <p>Left plate of the activity rack - 1pc</p>	<p><b>24</b></p>  <p>Right plate of the activity rack - 1pc</p>	<p><b>25</b></p>  <p>Up front rail - 1pc</p>
<p><b>26</b></p>  <p>Up back rail - 1pc</p>	<p><b>29</b></p>  <p>Lower front rail - 1pc</p>	<p><b>30</b></p>  <p>Back panel - 1pc</p>	<p><b>31</b></p>  <p>Drawer front panel - 2pcs</p>
<p><b>32</b></p>  <p>Drawer left side panel - 2pcs</p>	<p><b>33</b></p>  <p>Drawer right side panel - 2pcs</p>	<p><b>34</b></p>  <p>Drawer back panel - 2pcs</p>	<p><b>35</b></p>  <p>Drawer bottom panel - 2pcs</p>
<p><b>Z</b></p>  <p>Steel pipe - 2pcs</p>			

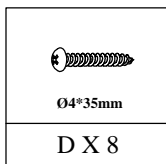
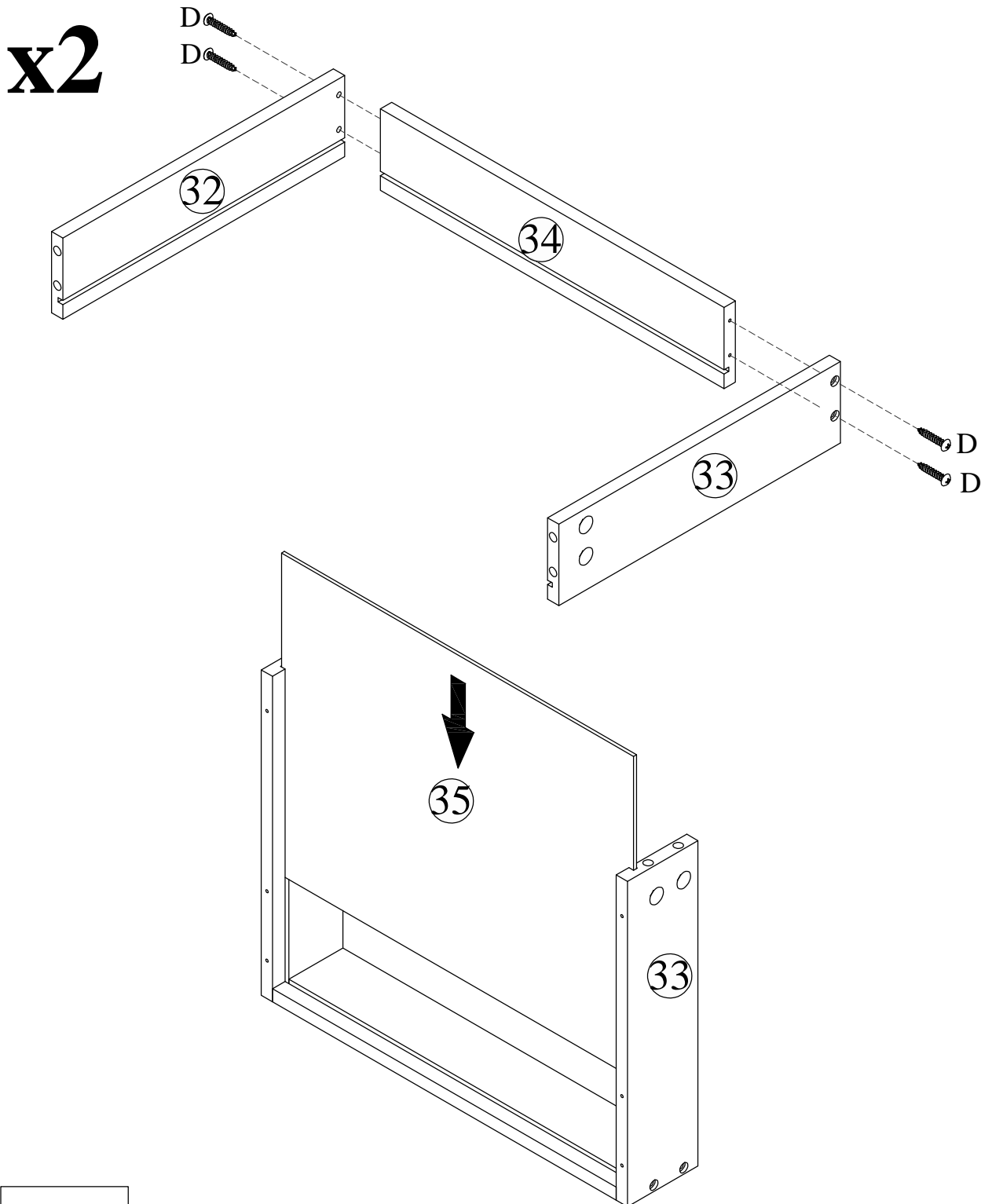
# ASSEMBLY INSTRUCTION

## HARDWARE LIST

<p><b>A</b></p>  <p>Ø6.5*35mm</p> <p>Minifix (104+3pcs)</p>	<p><b>B</b></p>  <p>Ø15*9mm</p> <p>Minifix cap (104+3pcs)</p>	<p><b>C</b></p>  <p>Ø6*30mm</p> <p>Wood dowel (54+3pcs)</p>	<p><b>D</b></p>  <p>Ø4*35mm</p> <p>Wood screw (27+2pcs)</p>
<p><b>E</b></p>  <p>Ø4*25mm</p> <p>Wood screw (8+1pcs)</p>	<p><b>F</b></p>  <p>Soft close hinges (2pcs)</p>	<p><b>G</b></p>  <p>Ø4*12mm</p> <p>Wood screw (36+2pcs)</p>	<p><b>H</b></p>  <p>Insert Row (1pc)</p>
<p><b>I</b></p>  <p>Locating piece (2pcs)</p>	<p><b>J</b></p>  <p>Ø3*12mm</p> <p>Wood screw (38+2pcs)</p>	<p><b>K</b></p>  <p>Hinges (4pcs)</p>	<p><b>L</b></p>  <p>Ø4*19mm</p> <p>Wood screw (16+1pcs)</p>
<p><b>M</b></p>  <p>Handle (1pc)</p>	<p><b>N</b></p>  <p>Shelf support (8+1pcs)</p>	<p><b>O</b></p>  <p>Hook (4pcs)</p>	<p><b>P</b></p>  <p>Ø5*16mm</p> <p>Wood screw (16+1pcs)</p>
<p><b>Q</b></p>  <p>Allen wrench (1pc)</p>	<p><b>R</b></p>  <p>Plastic baffle (1pc)</p>	<p><b>S</b></p>  <p>Felt pad (8+1pcs)</p>	<p><b>T</b></p>  <p>Caster wheels (2pcs)</p>
<p><b>U</b></p>  <p>Outlet cover (1pc)</p>	<p><b>V</b></p>  <p>L-shaped iron sheet (2pcs)</p>	<p><b>W</b></p>  <p>Spring bolt (2pcs)</p>	<p><b>X</b></p>  <p>Slide rail (2pcs)</p>
<p><b>Y</b></p>  <p>M4*16mm</p> <p>Bolt (1pc)</p>	<p><b>CL</b></p>  <p>300mm</p> <p>Slide rail (2pcs)</p>	<p><b>CR</b></p>  <p>300mm</p> <p>Slide rail (2pcs)</p>	<p><b>DL</b></p>  <p>300mm</p> <p>Slide rail (2pcs)</p>
<p><b>DR</b></p>  <p>300mm</p> <p>Slide rail (2pcs)</p>			

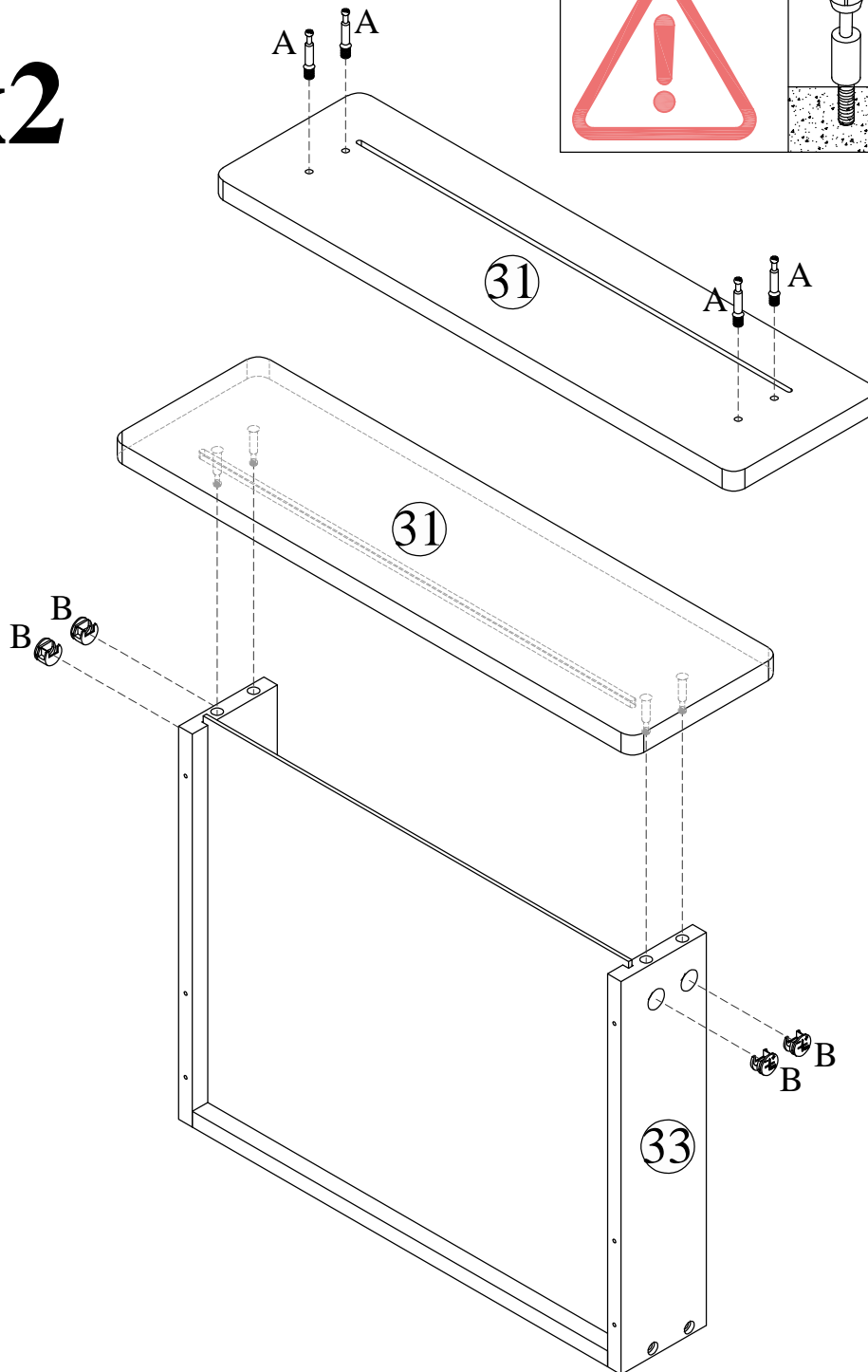
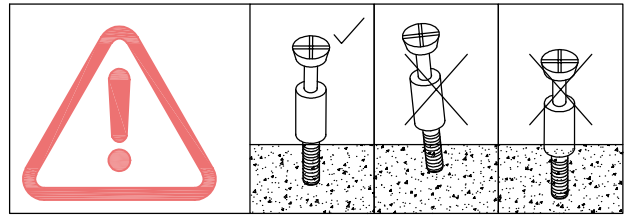
# ASSEMBLY INSTRUCTION

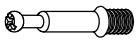

## Step 1

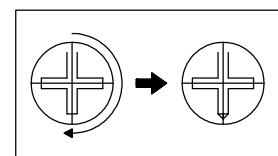


# Step 2

x2



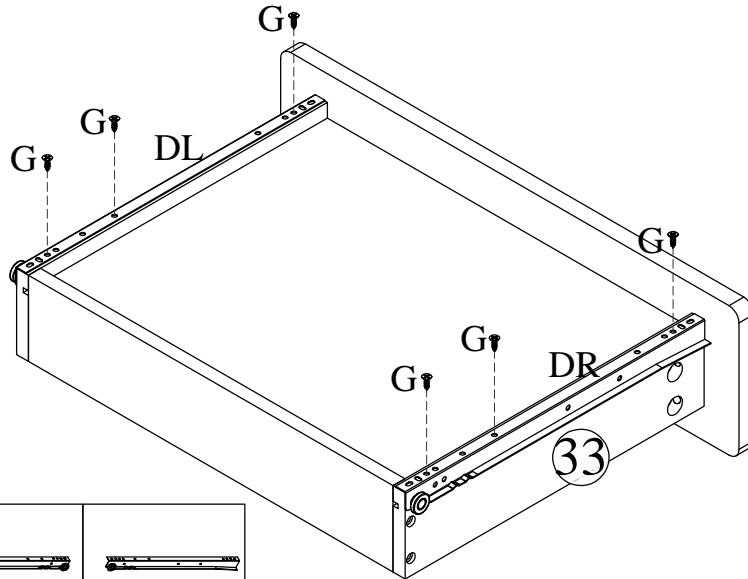
	
Ø6.5*35mm	Ø15*9mm
A X 8	B X 8



Lock Minifix cap clockwise

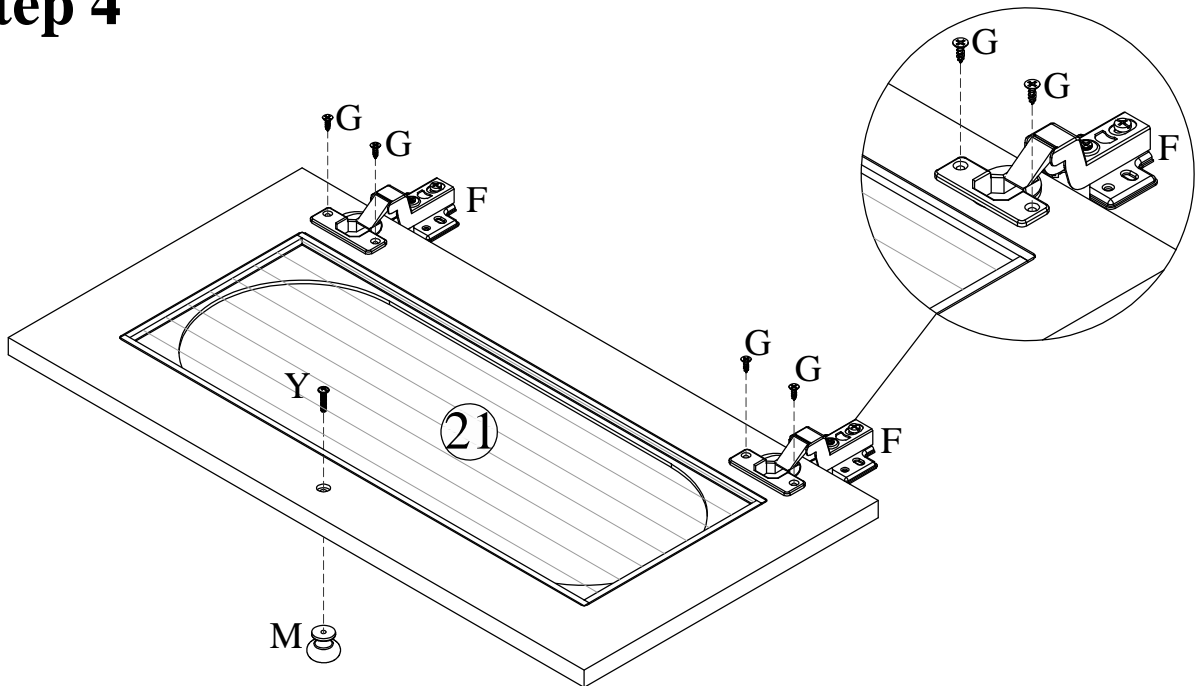
# Step 3

x2



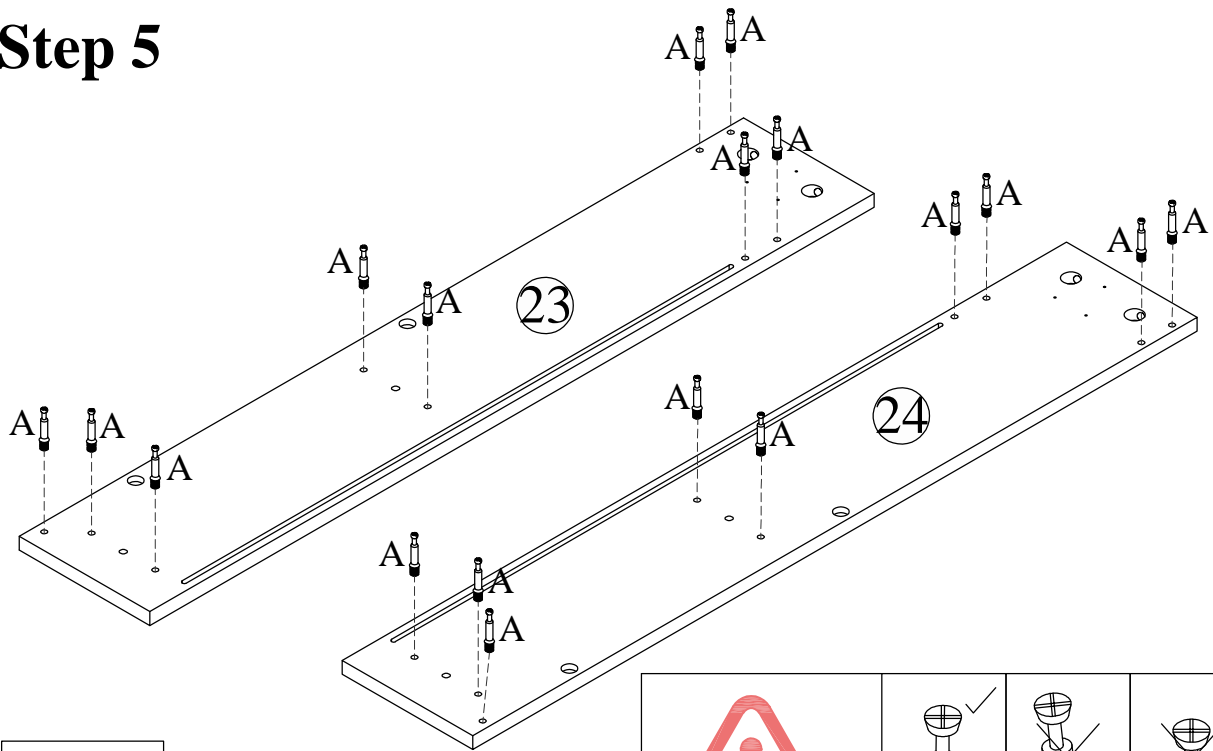
Ø4*12mm	300mm	300mm
G X 12	DL X 2	DR X 2

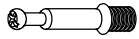
# Step 4

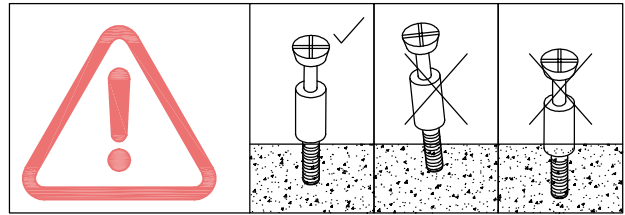


FX 2	Ø4*12mm	MX 1	M4*16mm
	G X 4		Y X 1

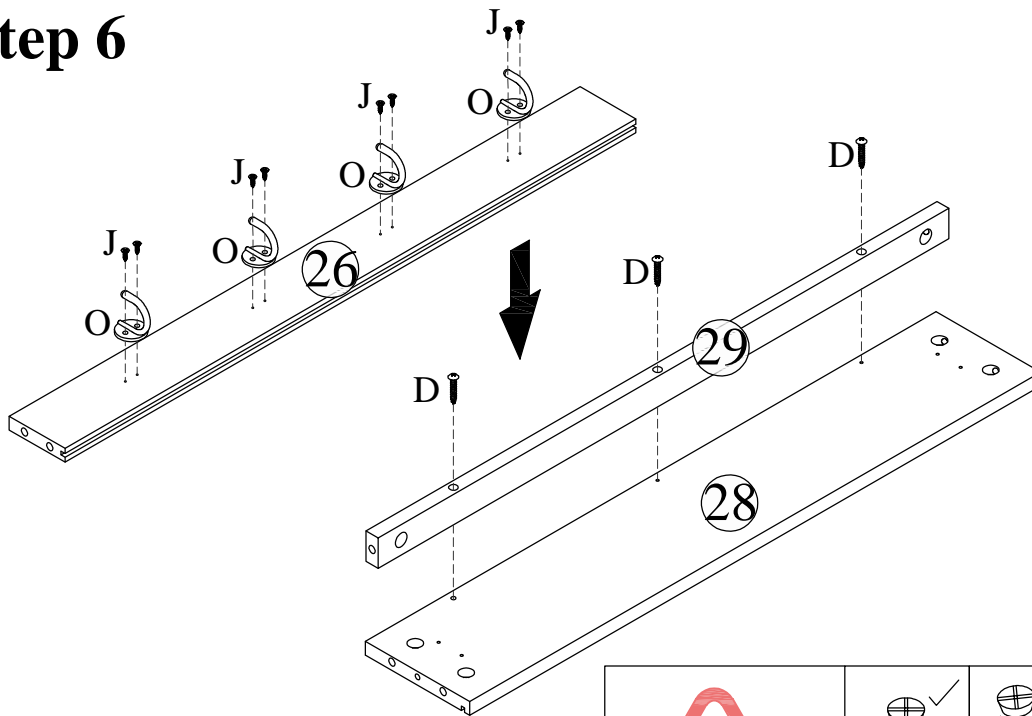
# Step 5

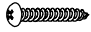




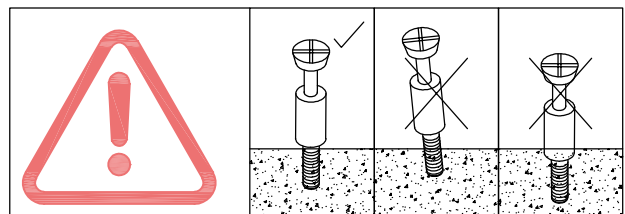

06.5*35mm
A X 18



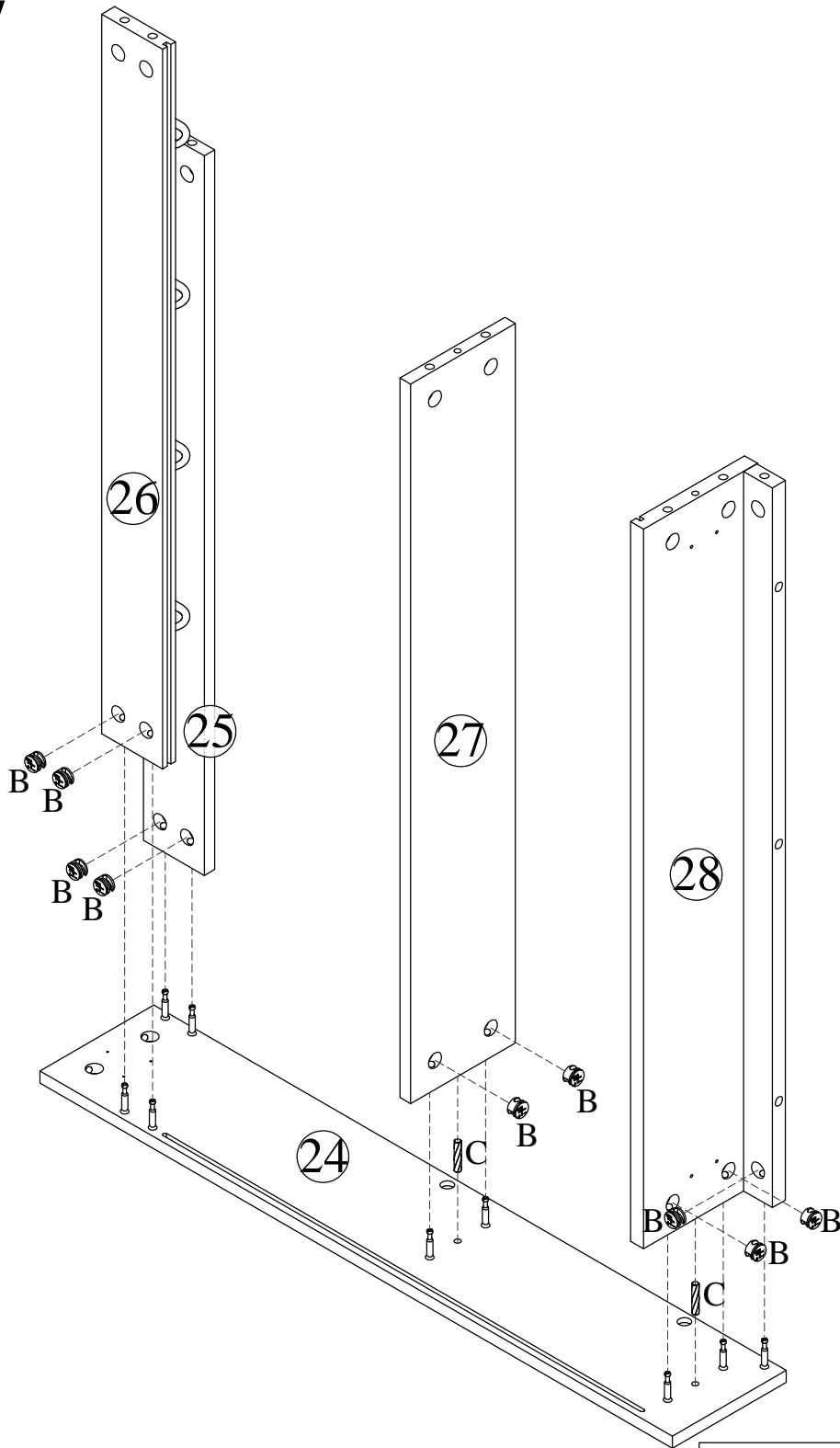
# Step 6


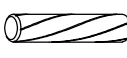


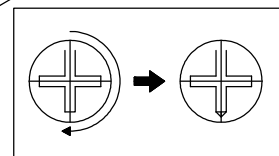
		
04*35mm	03*12mm	
D X 3	J X 8	O X 4



# Step 7



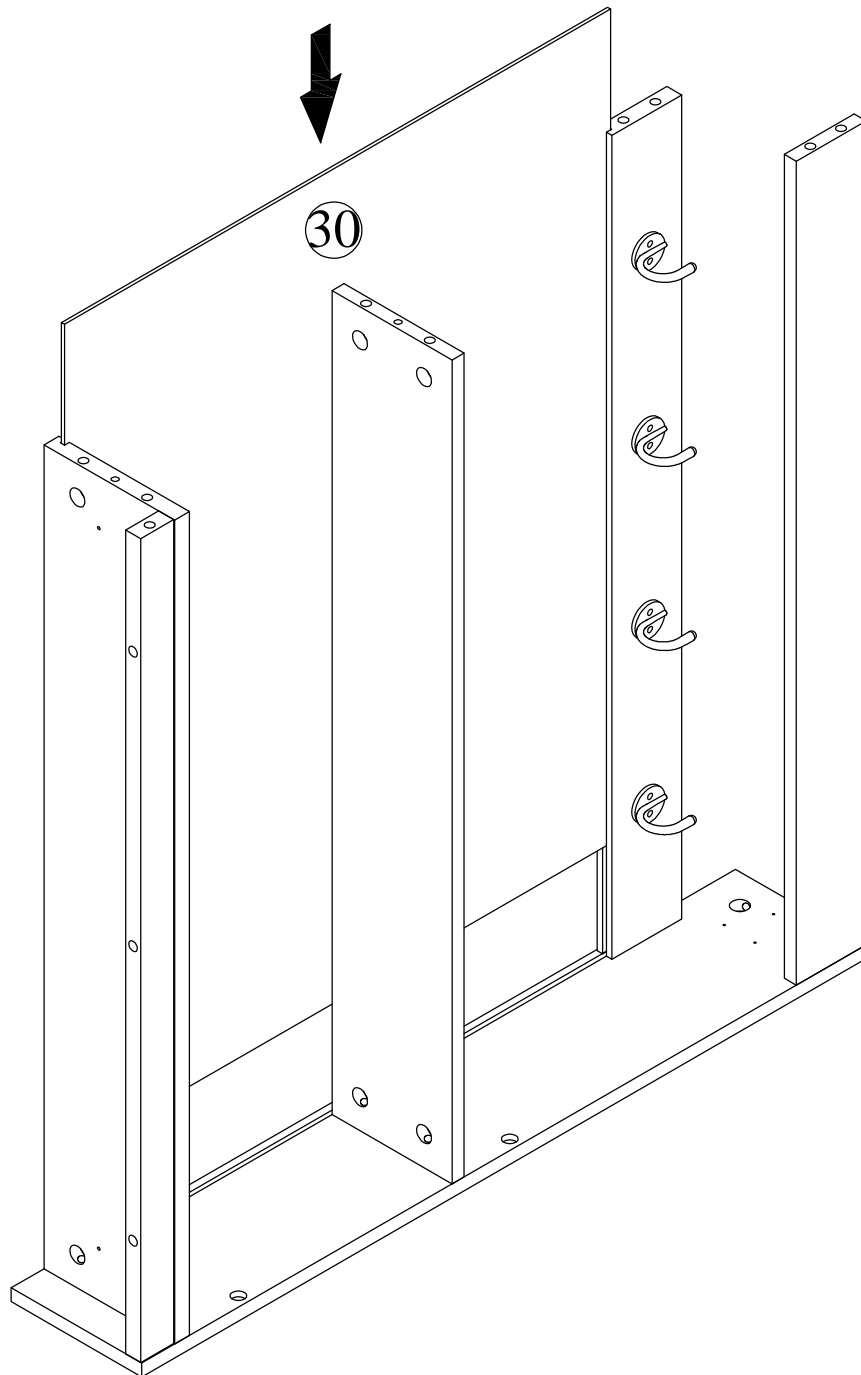
	
Ø15*9mm	Ø6*30mm
B X 9	C X 2



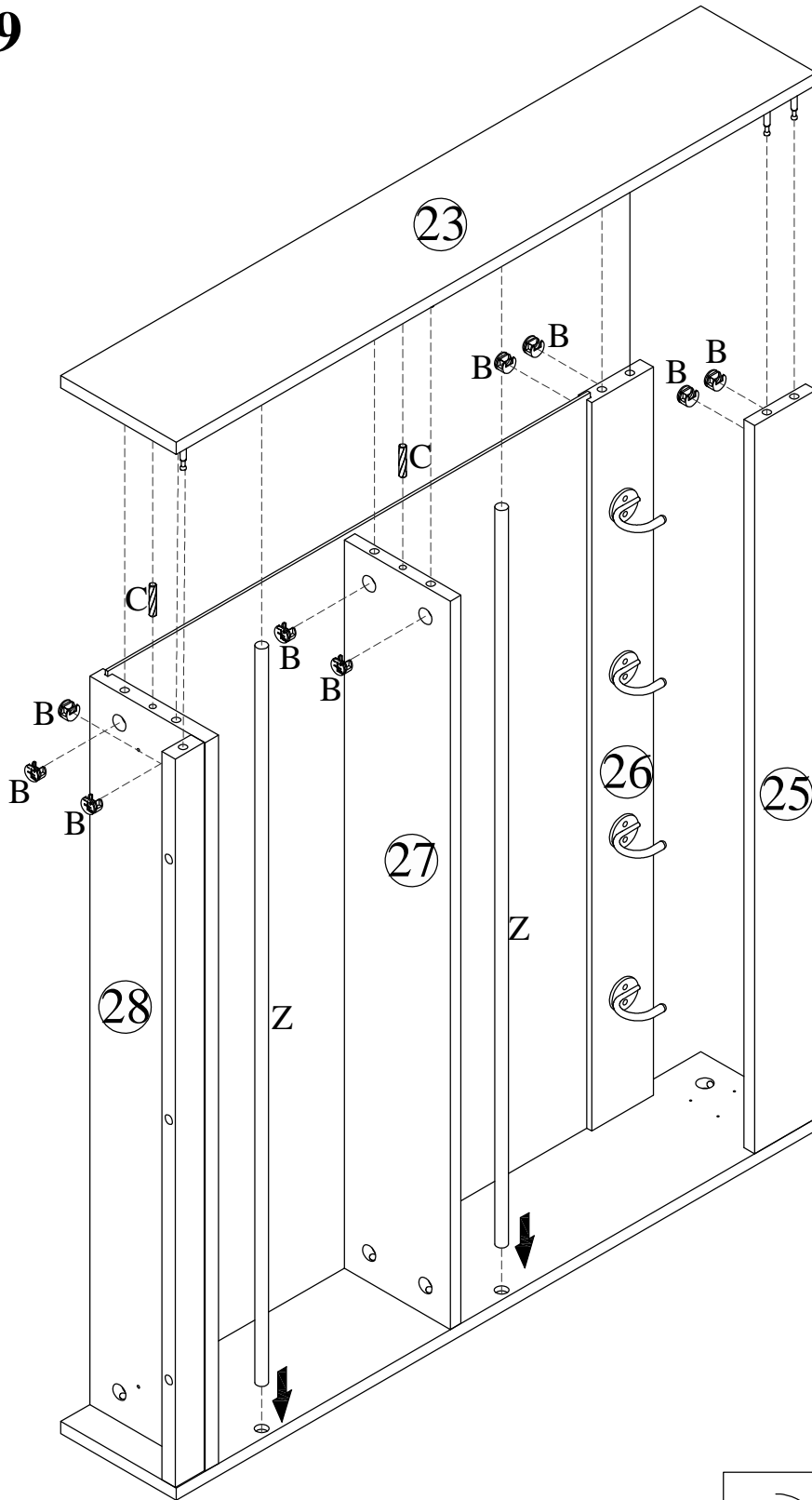
Lock Minifix cap clockwise


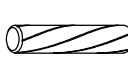

---

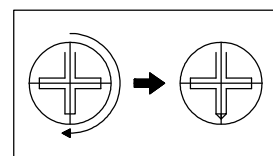
# Step 8



# Step 9

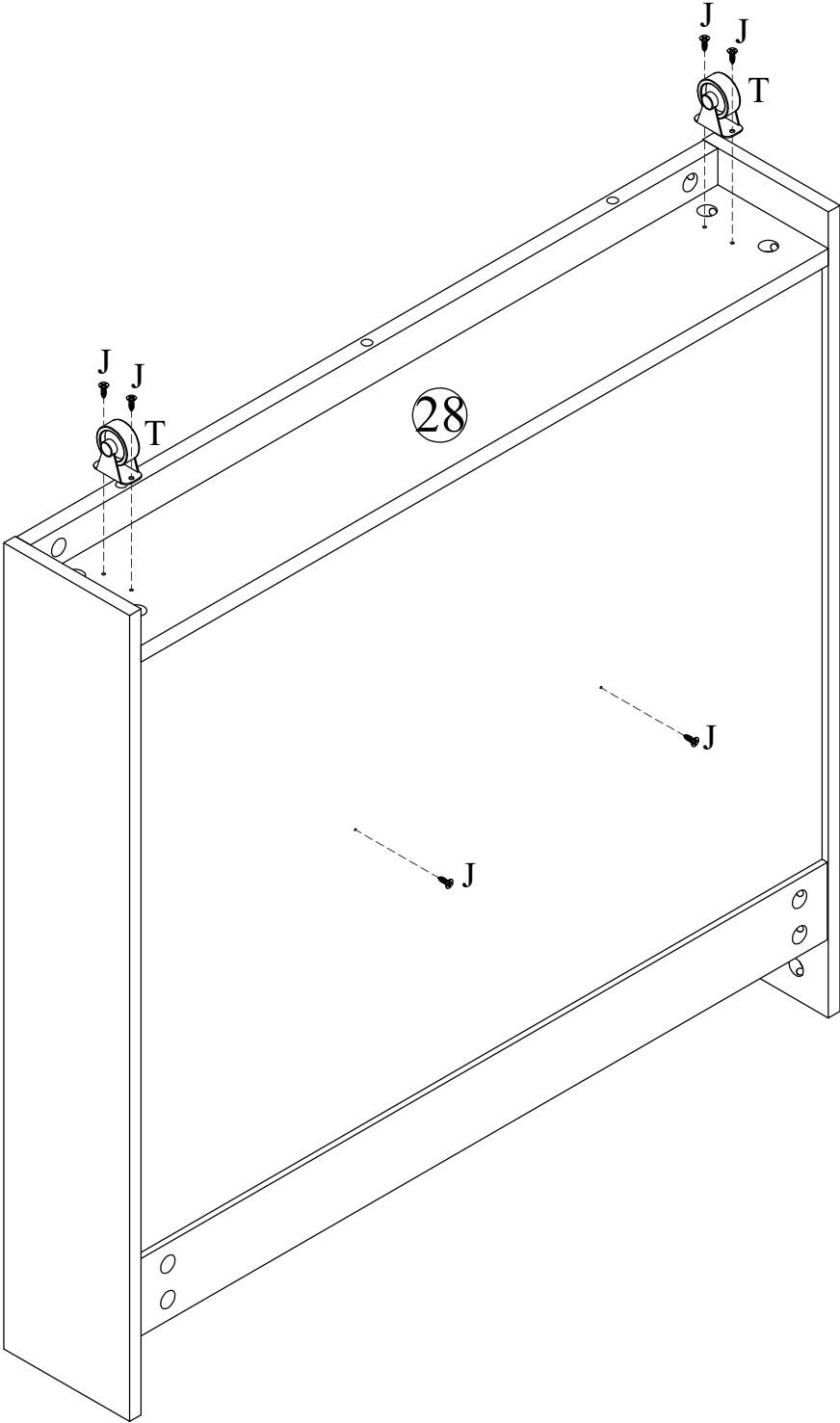




		
Ø15*9mm	Ø6*30mm	
B X 9	C X 2	Z X 2



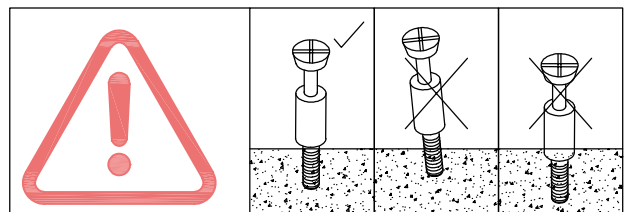
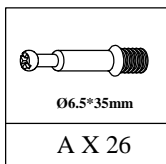
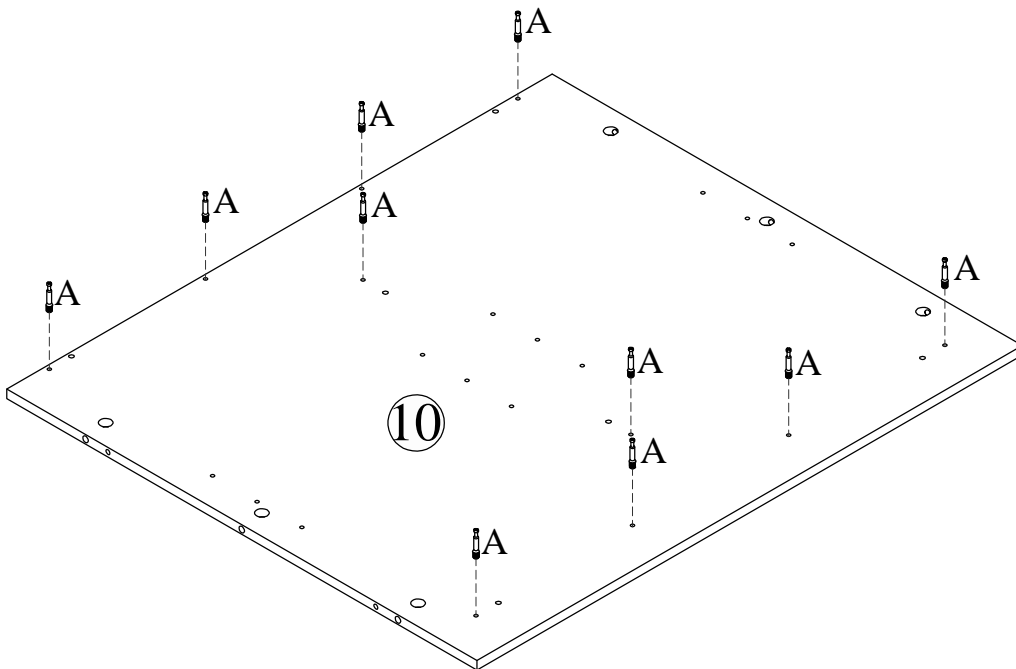
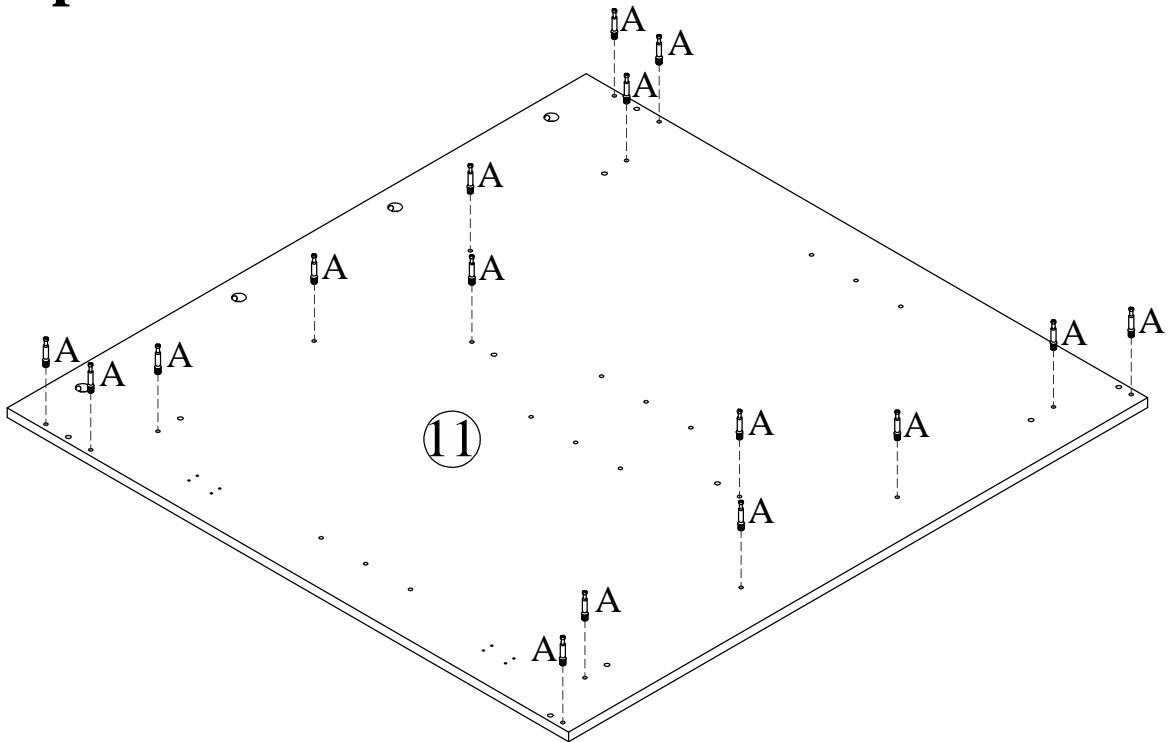
Lock Minifix cap clockwise

# Step 10

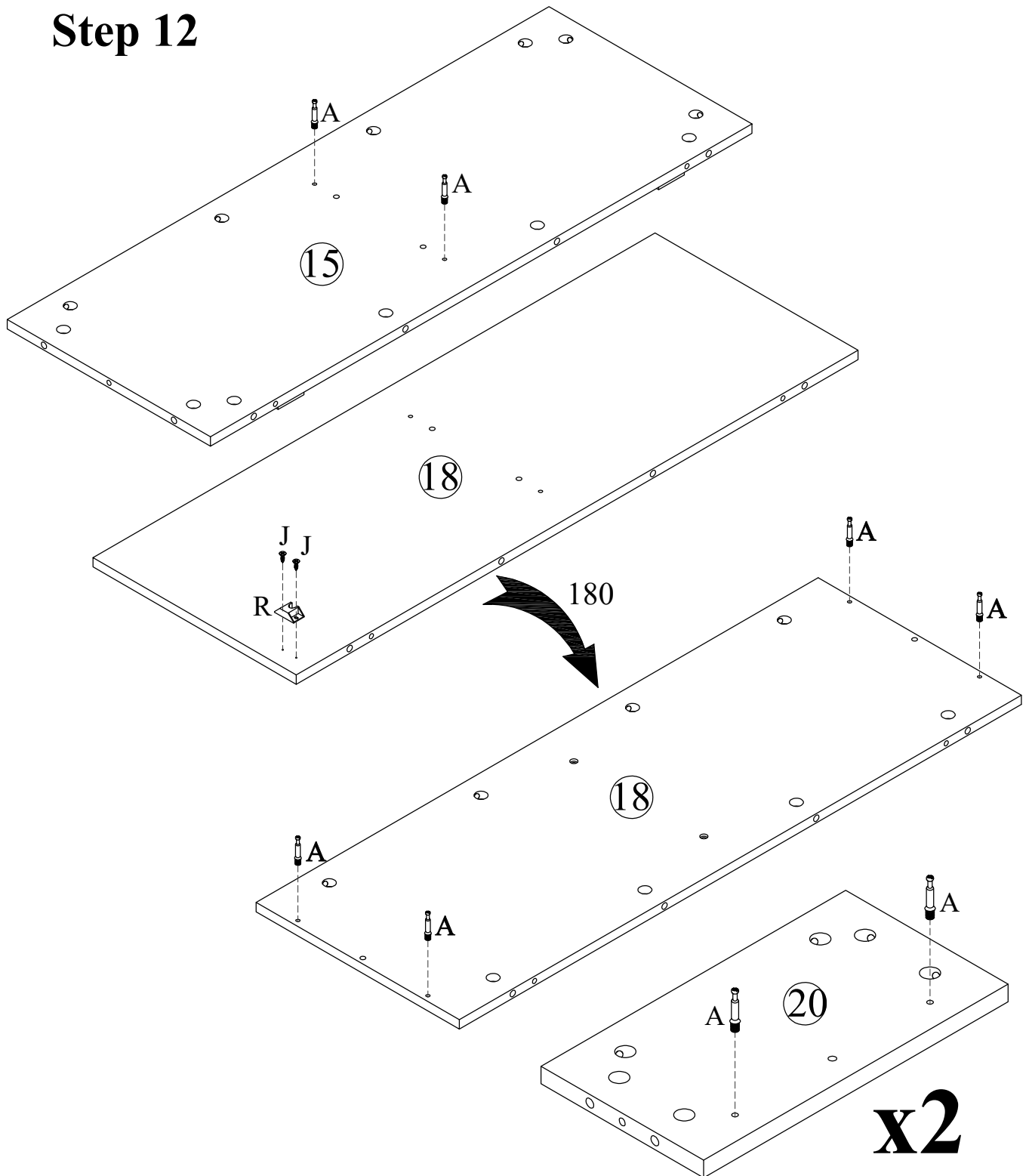


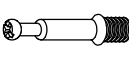


 3*12mm	
J X 6	T X 2

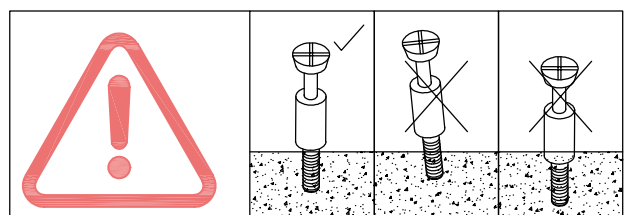
# Step 11



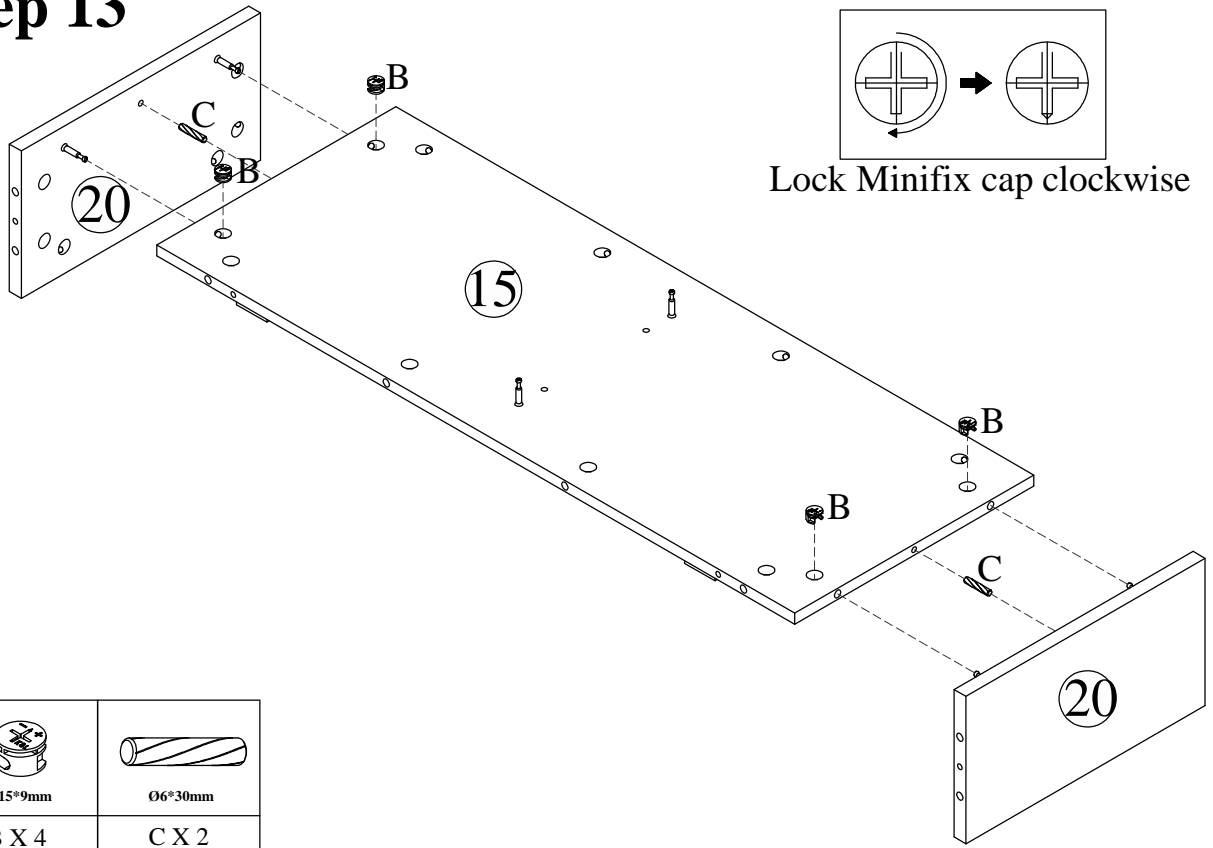
# Step 12


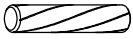


		
Ø6.5*35mm	Ø3*12mm	
A X 10	J X 2	R X 1

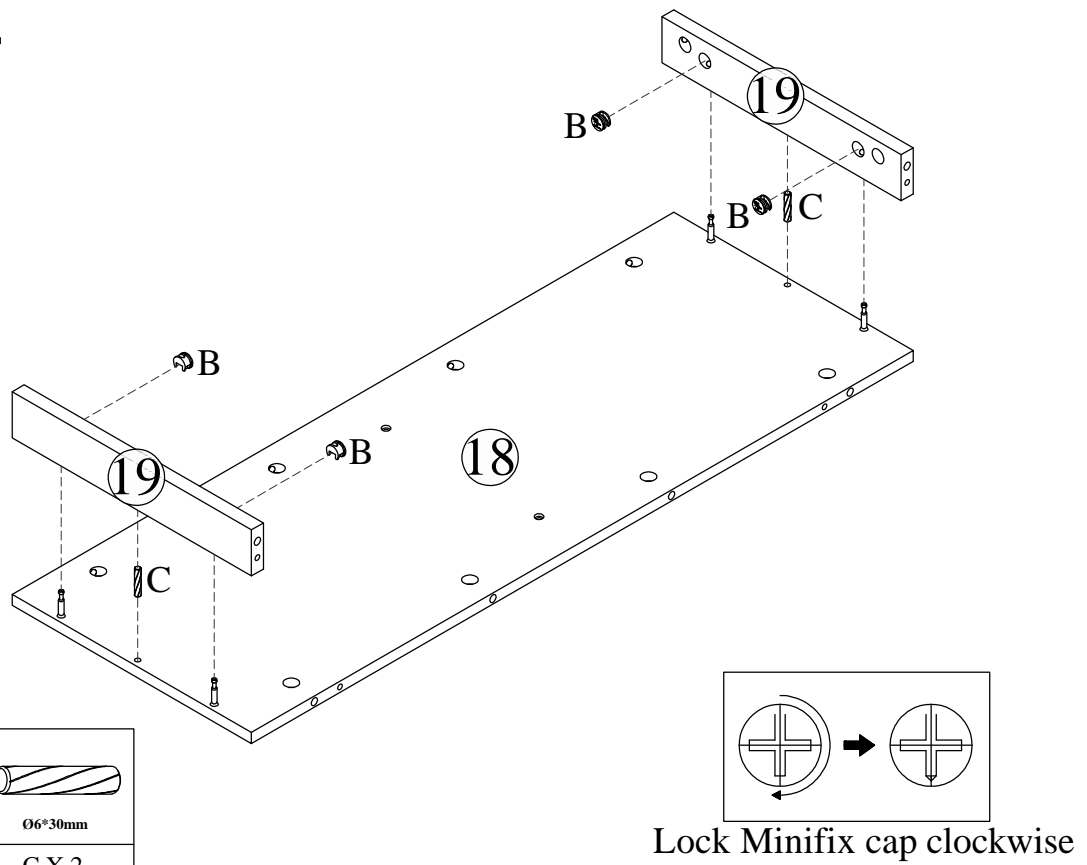



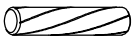
# Step 13



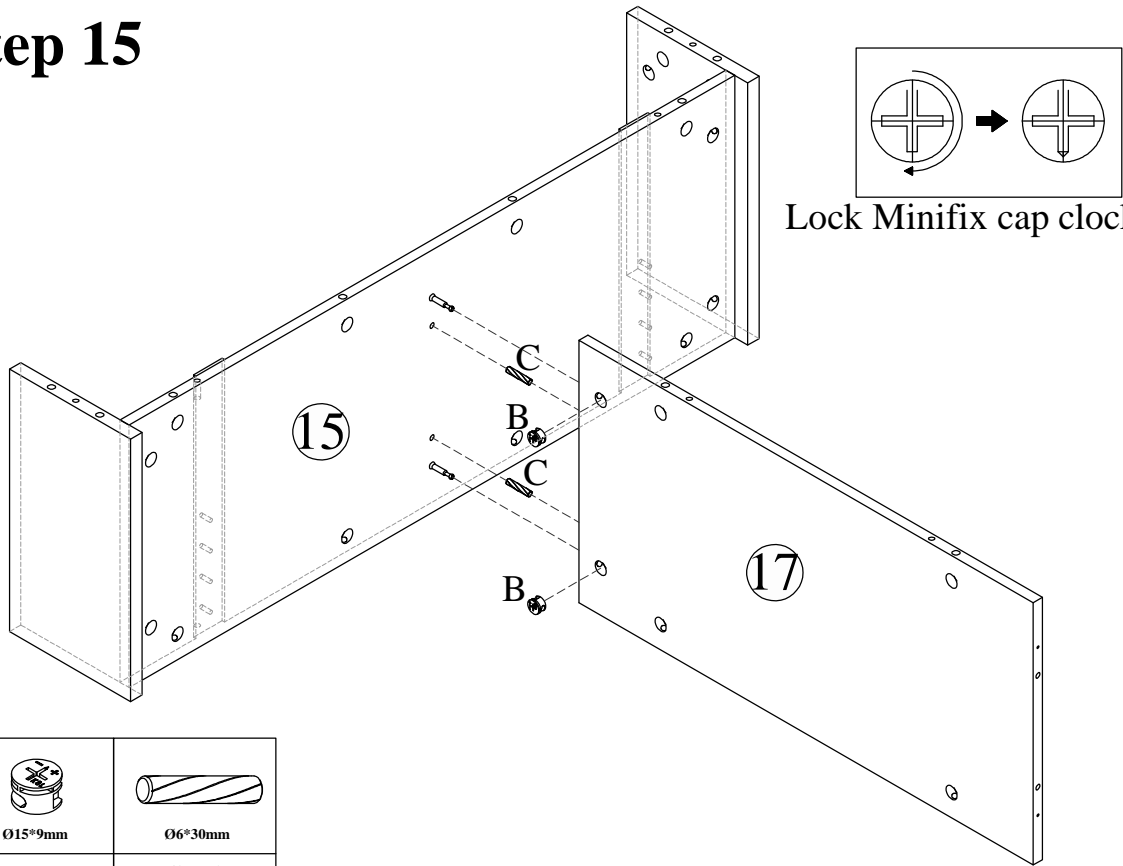
	
Ø15*9mm	Ø6*30mm
B X 4	C X 2

# Step 14


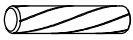


	
Ø15*9mm	Ø6*30mm
B X 4	C X 2

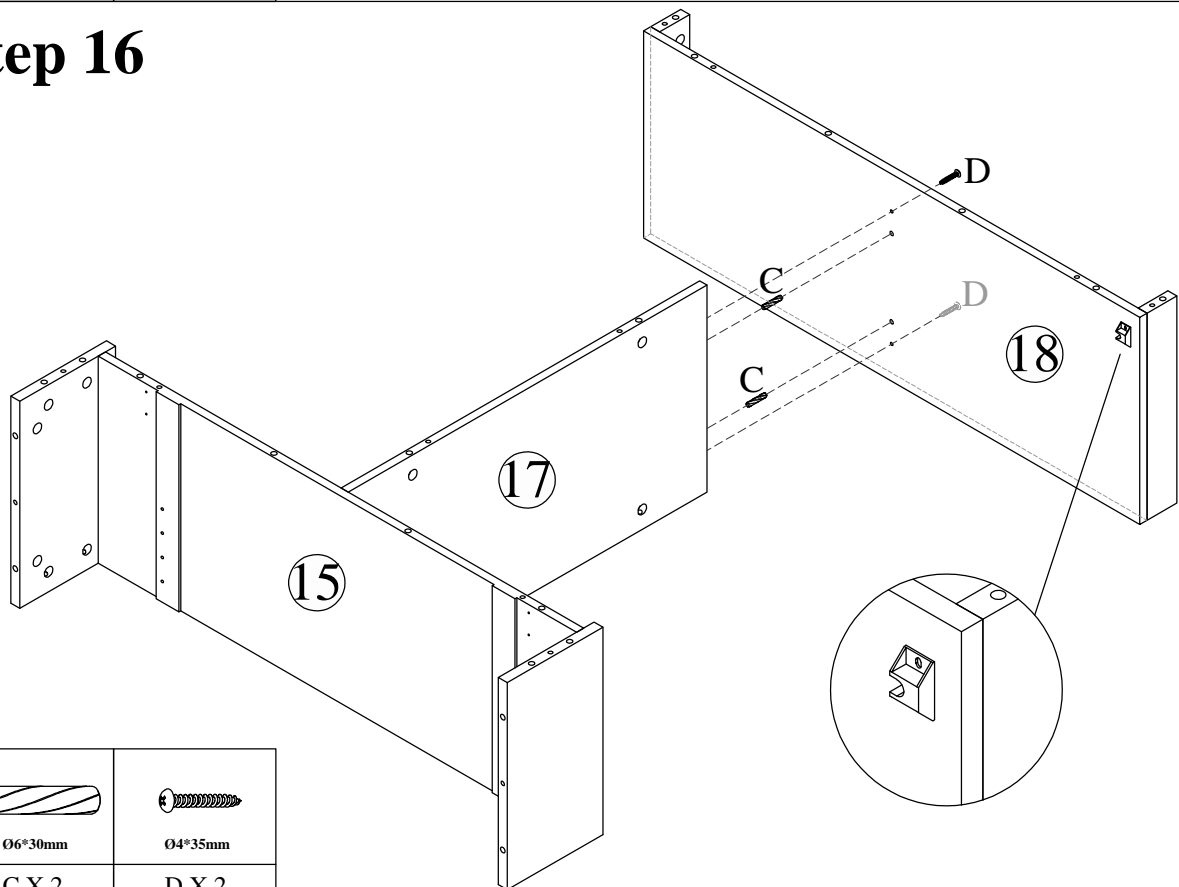
# Step 15

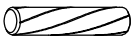



Lock Minifix cap clockwise

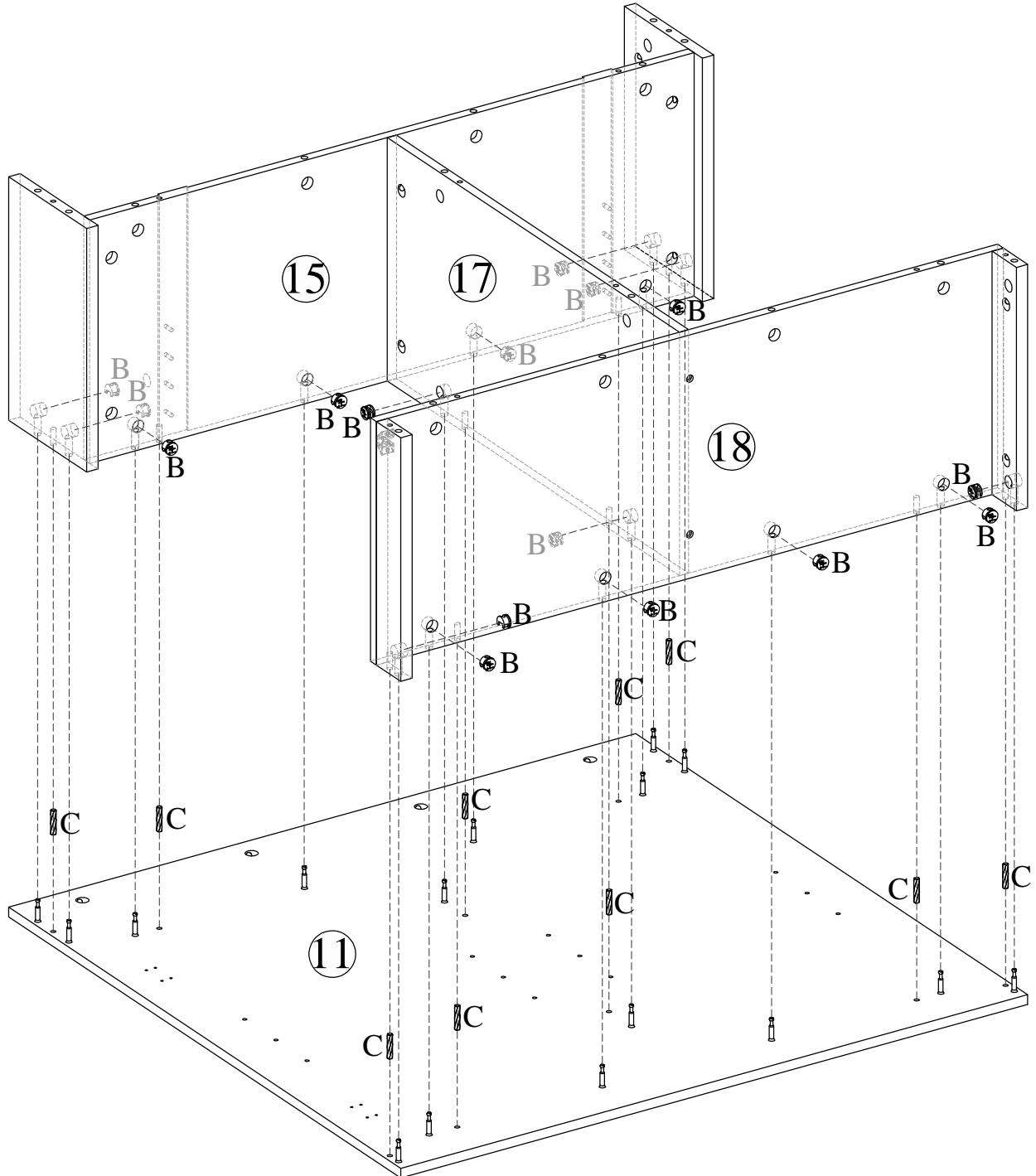
	
Ø15*9mm	Ø6*30mm
B X 2	C X 2


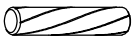
# Step 16

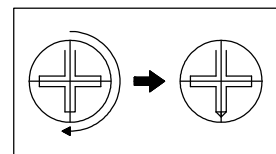


	
Ø6*30mm	Ø4*35mm
C X 2	D X 2

# Step 17

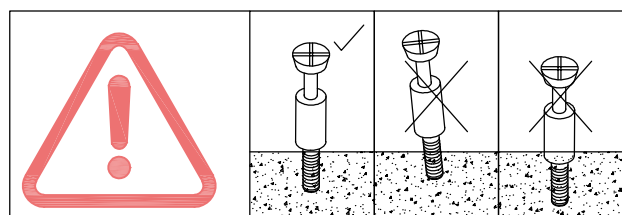
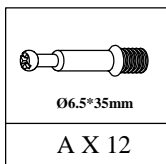
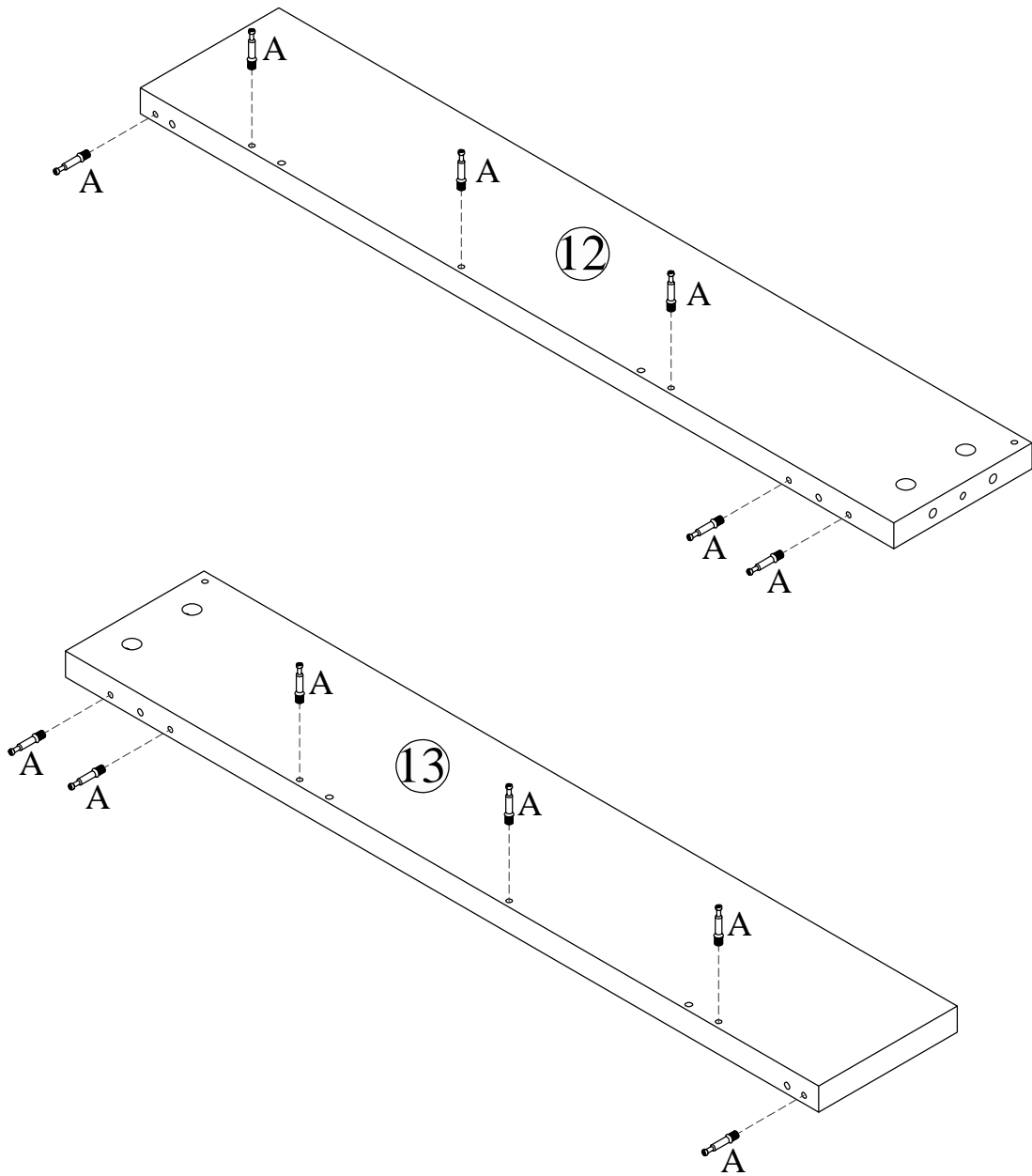


	
Ø15*9mm	Ø6*30mm
B X 16	C X 10

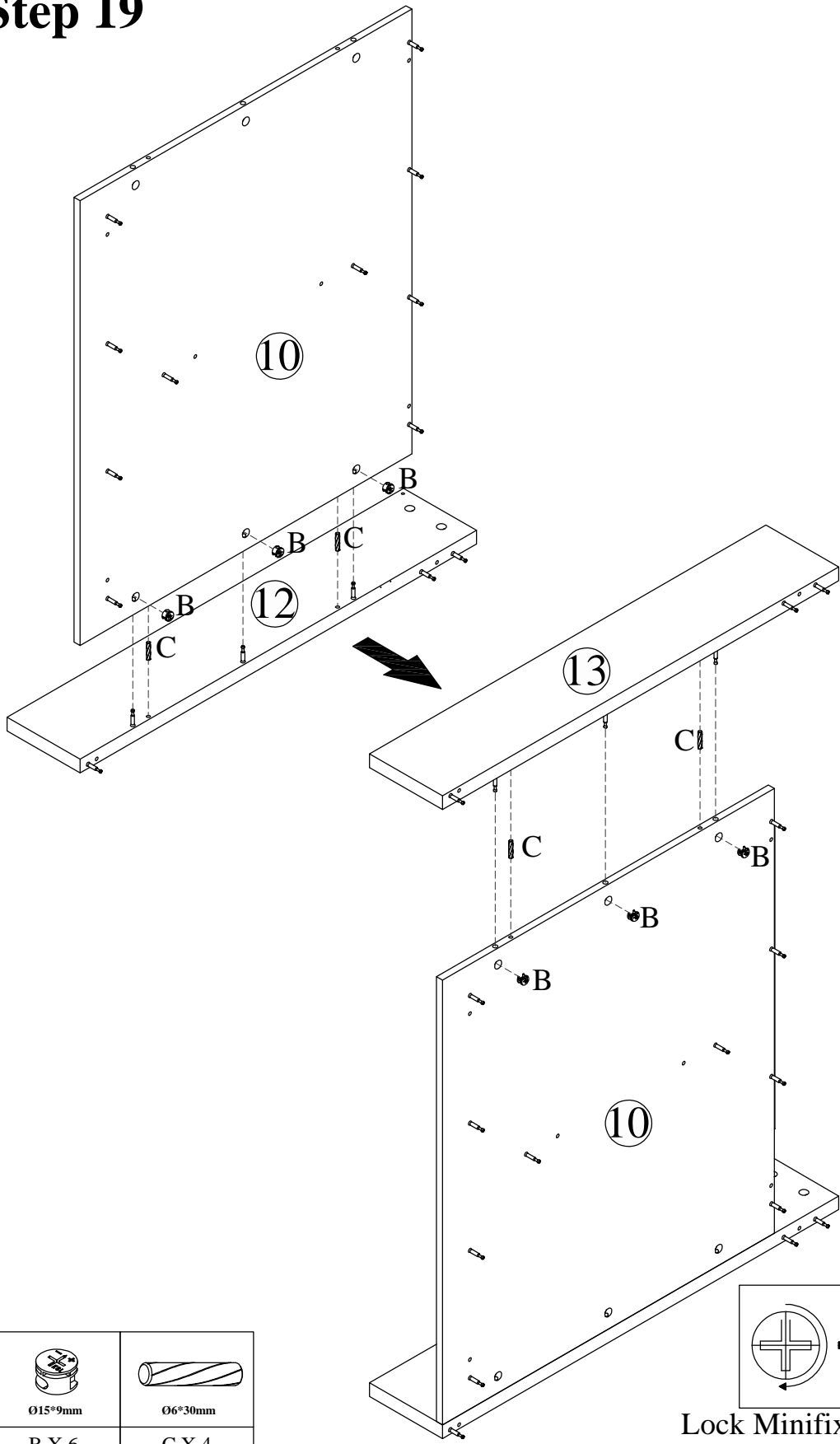



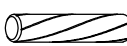
Lock Minifix cap clockwise

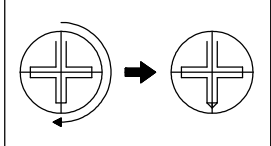
# Step 18



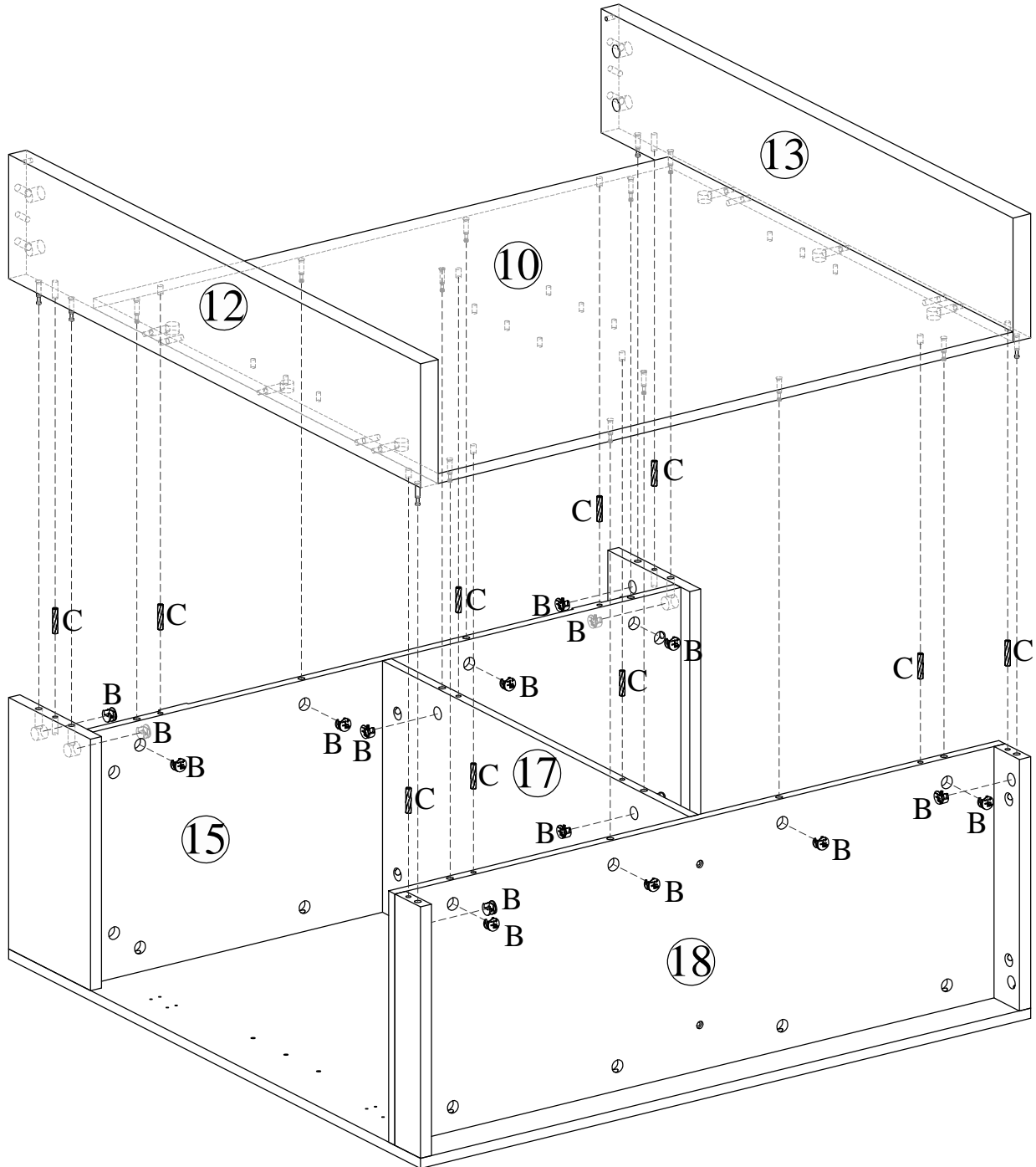
# Step 19


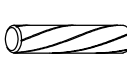


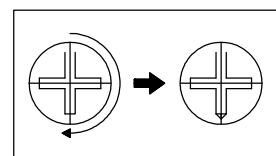
	
Ø15*9mm	Ø6*30mm
B X 6	C X 4

  
 Lock Minifix cap clockwise

# Step 20

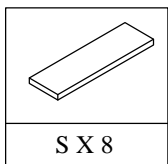
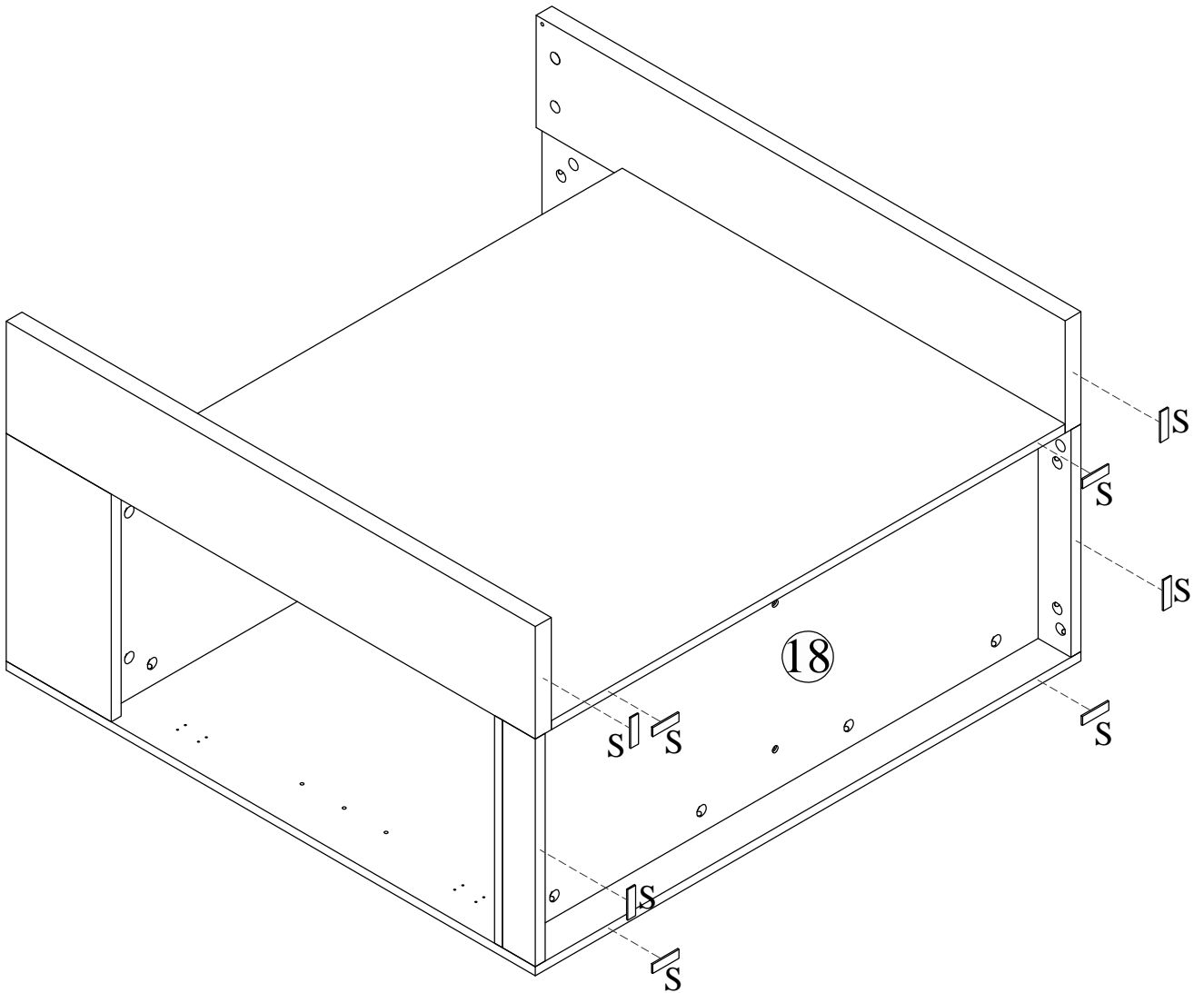


	
Ø15*9mm	Ø6*30mm
B X 16	C X 10

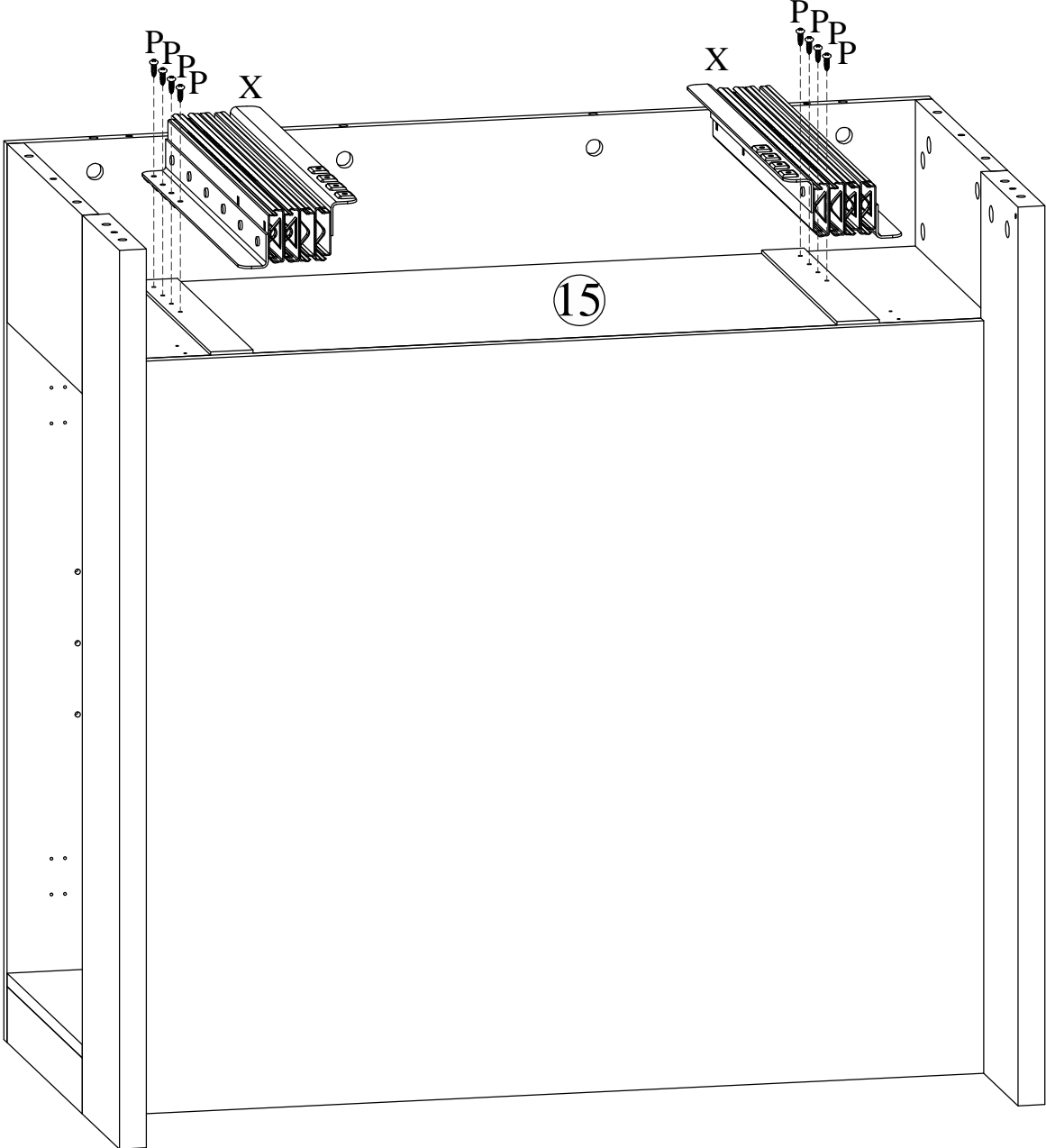



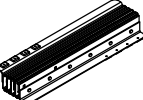
Lock Minifix cap clockwise

# Step 21

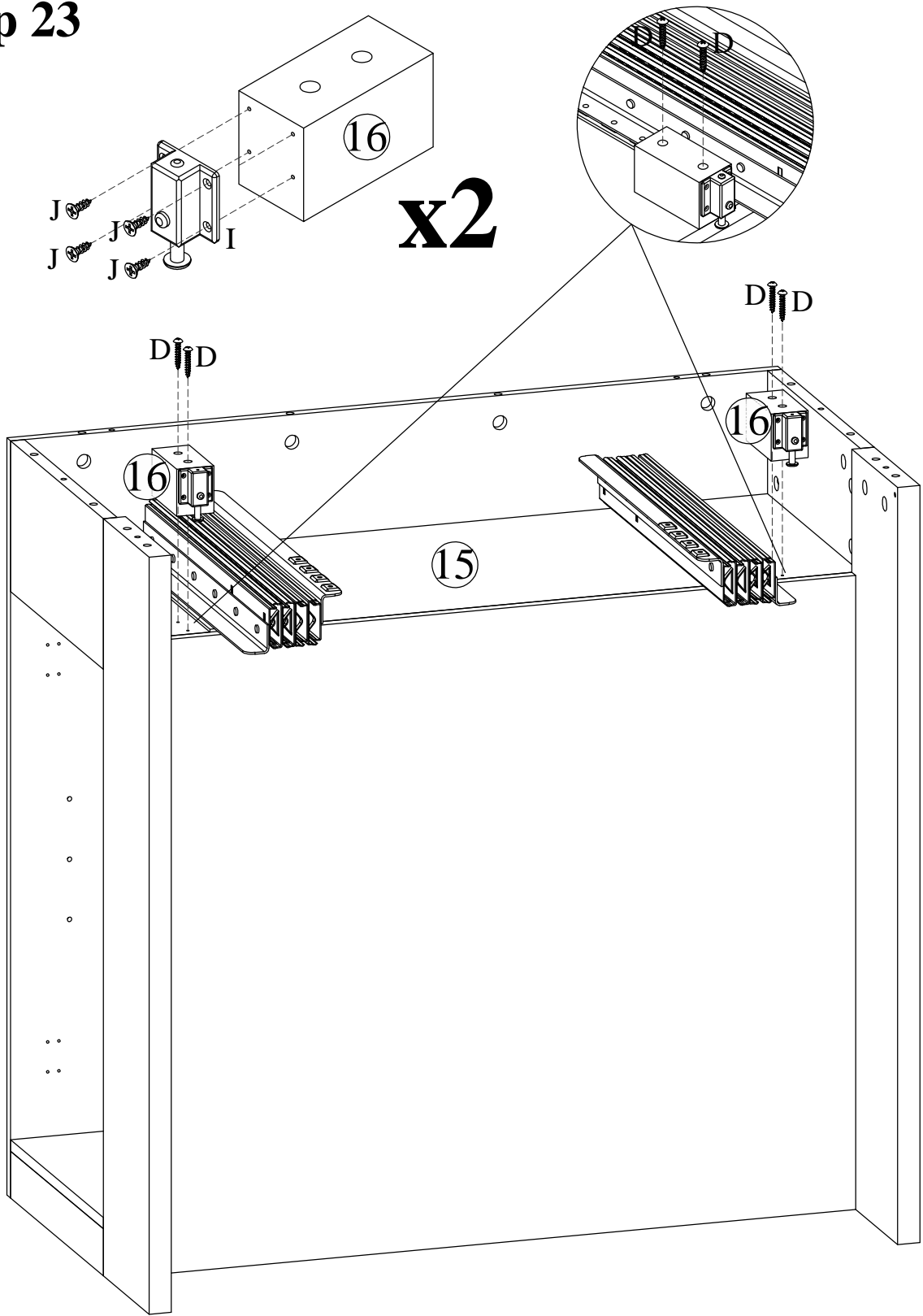



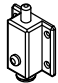

# Step 22



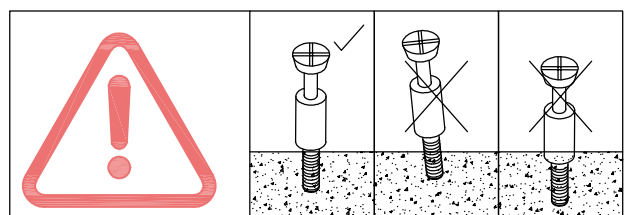
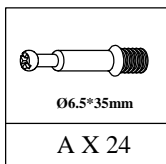
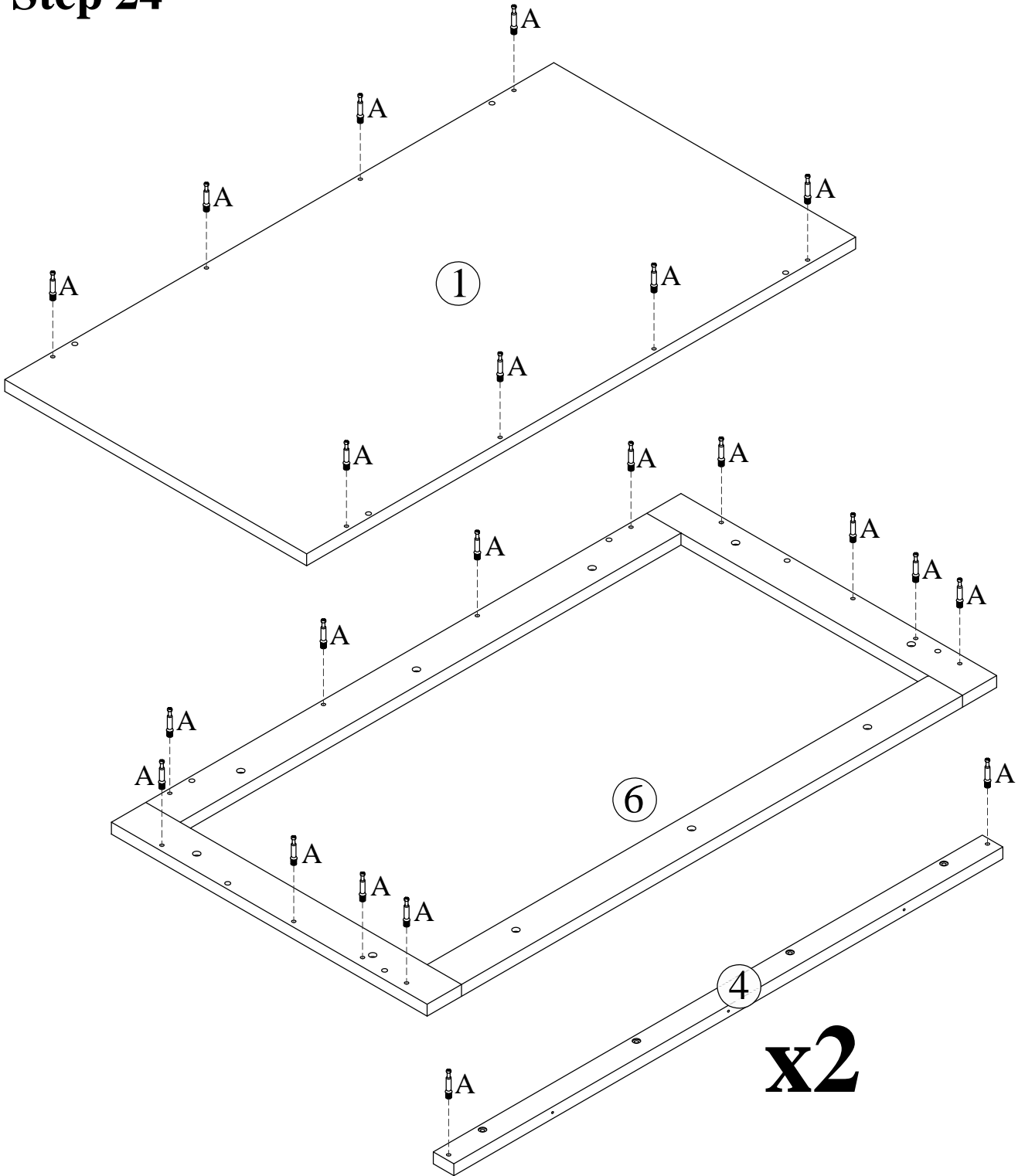
 Ø5*16mm	
P X 8	X X 2

# Step 23

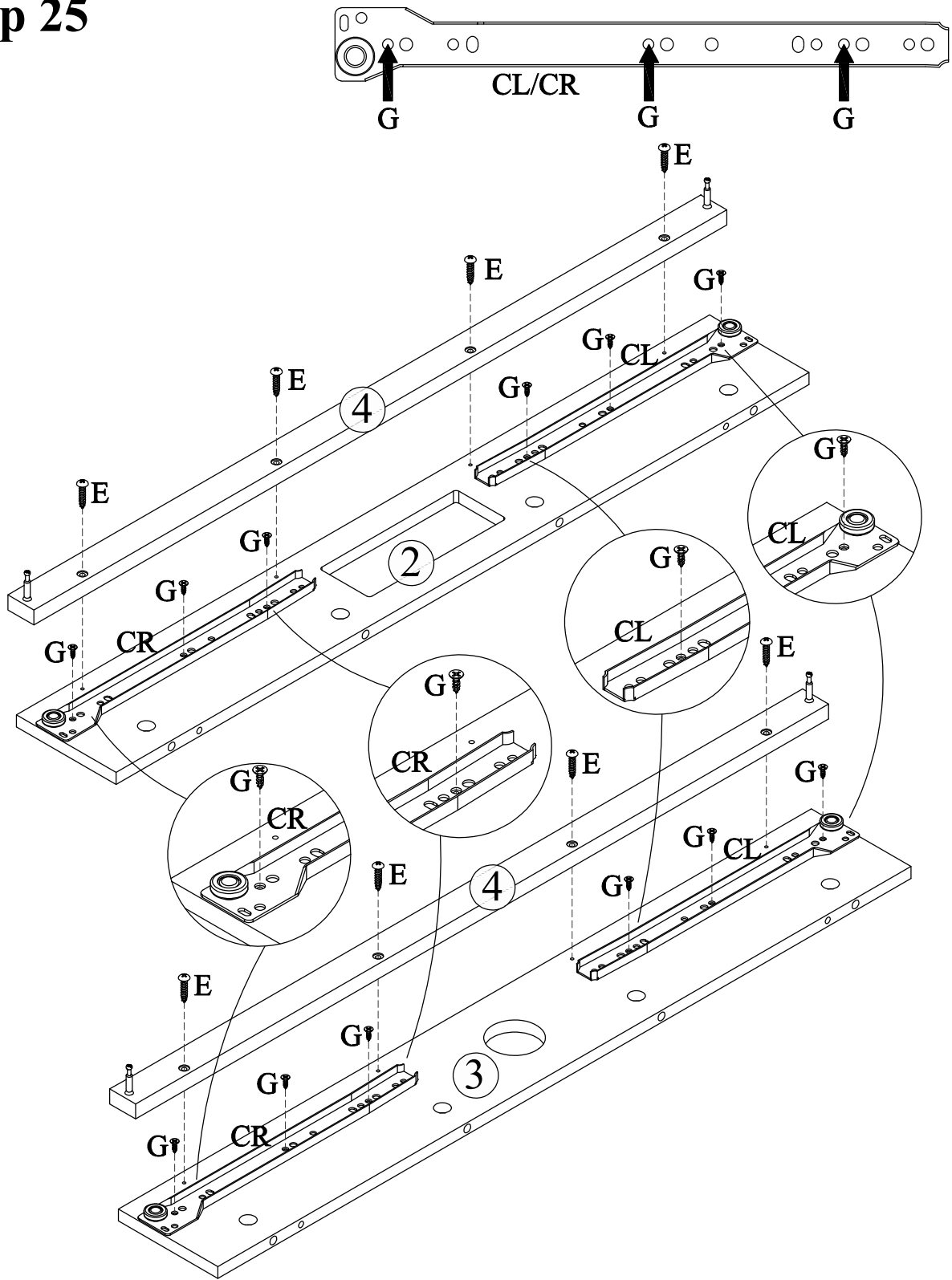






		
Ø4*35mm		Ø3*12mm
D X 4	I X 2	J X 8

# Step 24

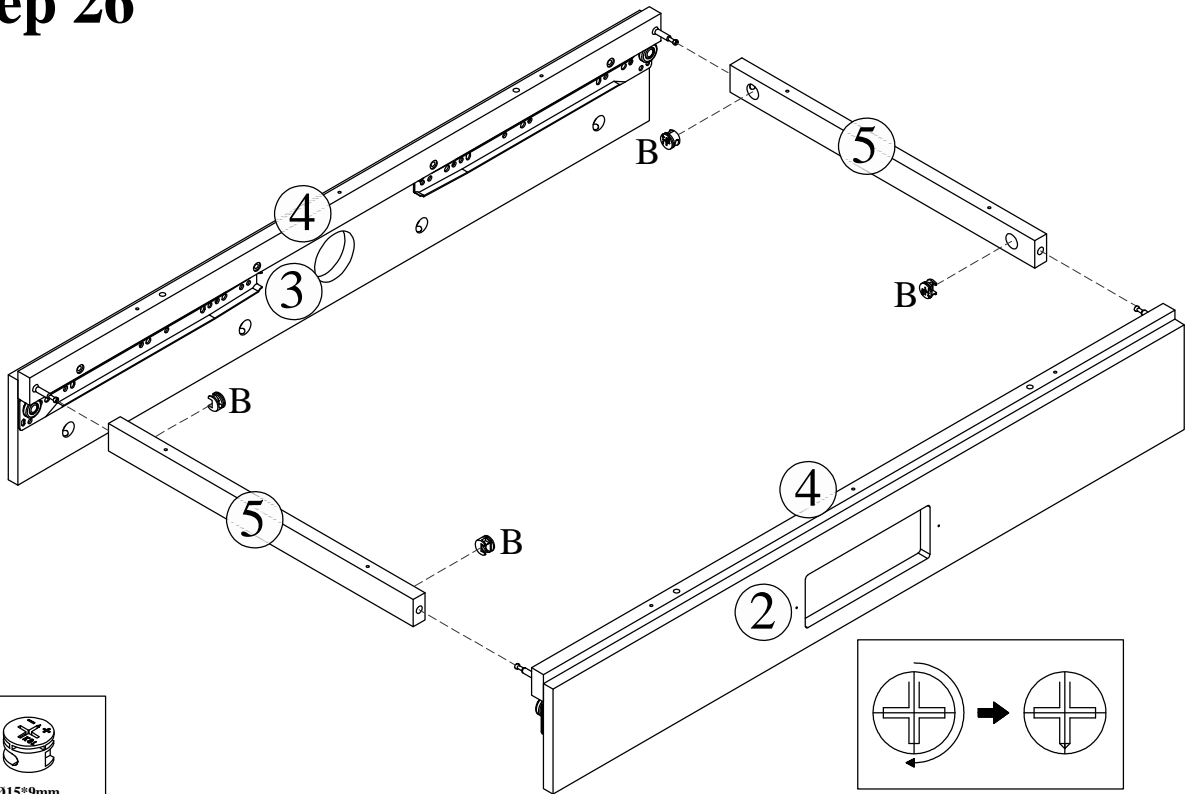



# Step 25

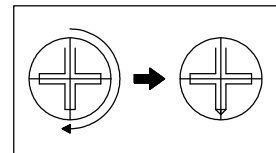


			
Ø4*25mm	Ø4*12mm	300mm	300mm
E X 8	G X 12	CL X 2	CR X 2

# Step 26

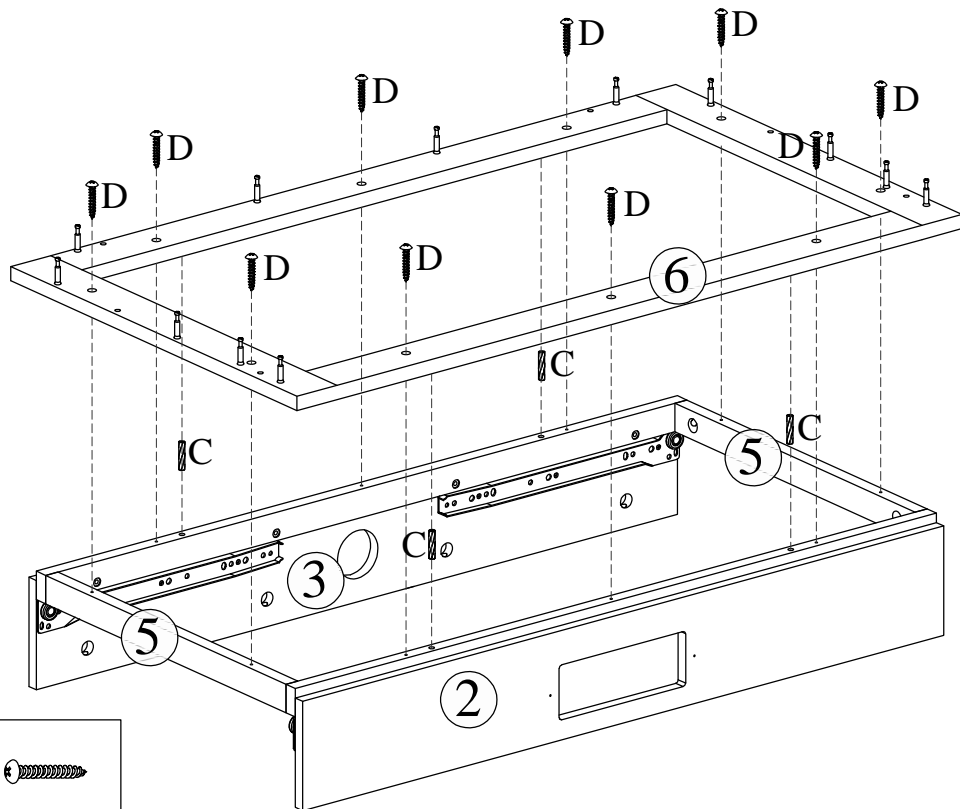


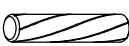


Ø15*9mm
B X 4



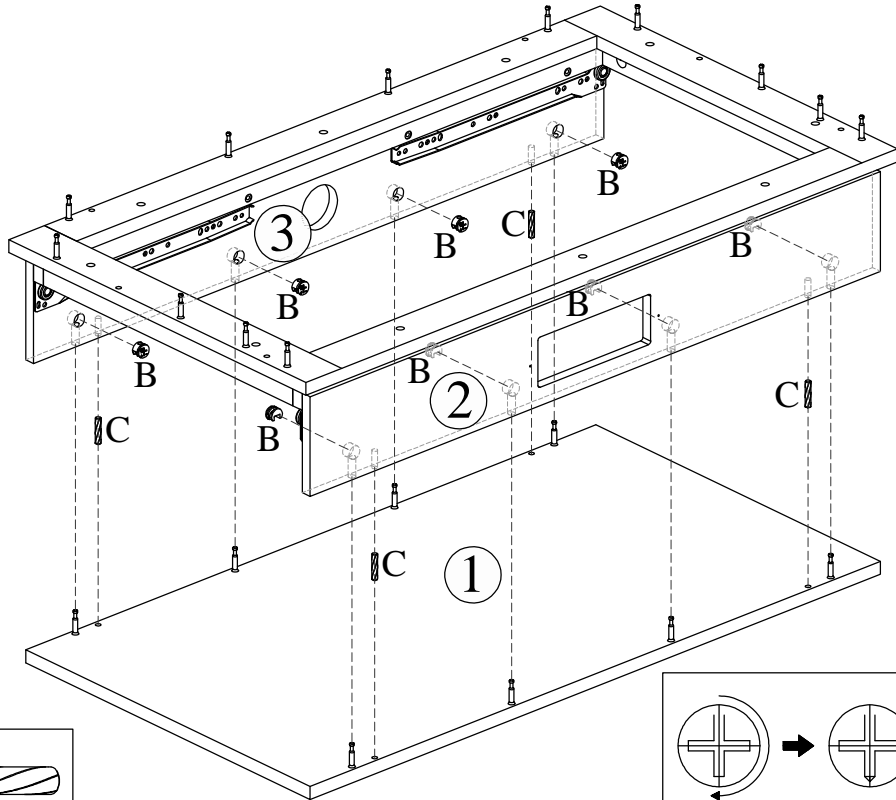
Lock Minifix cap clockwise


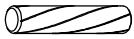
# Step 27

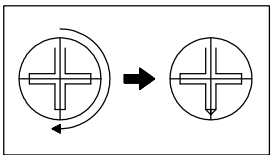


	
Ø6*30mm	Ø4*35mm
C X 4	D X 10

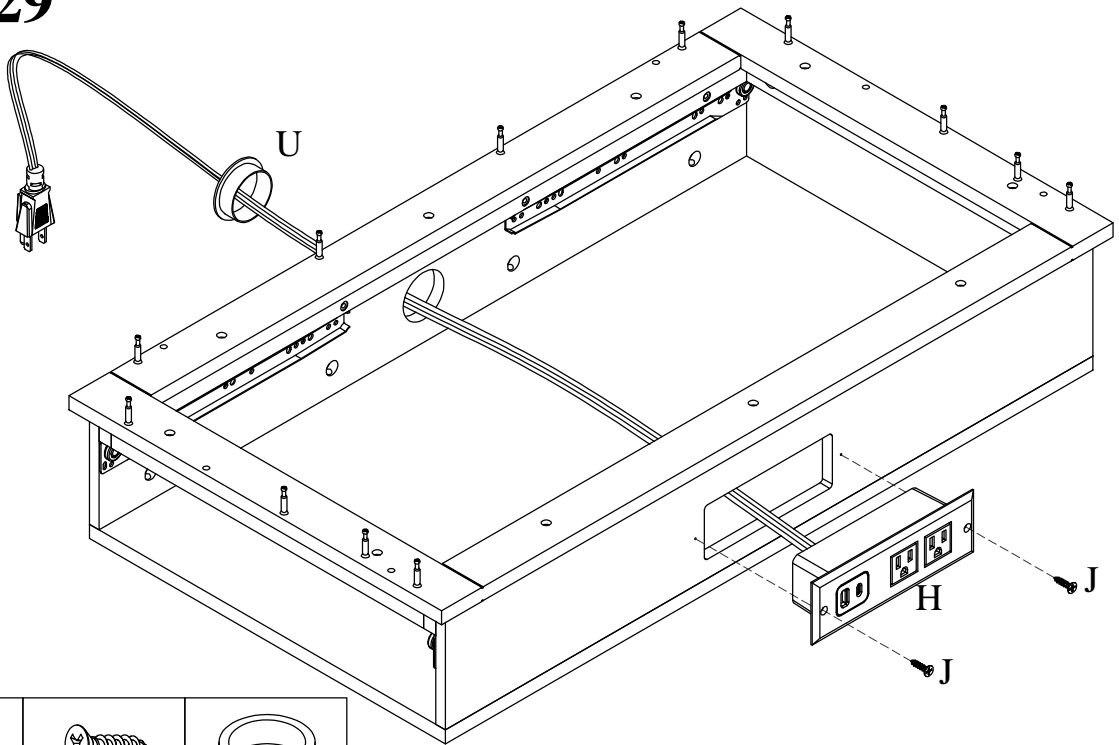
# Step 28






	
Ø15*9mm	Ø6*30mm
B X 8	C X 4

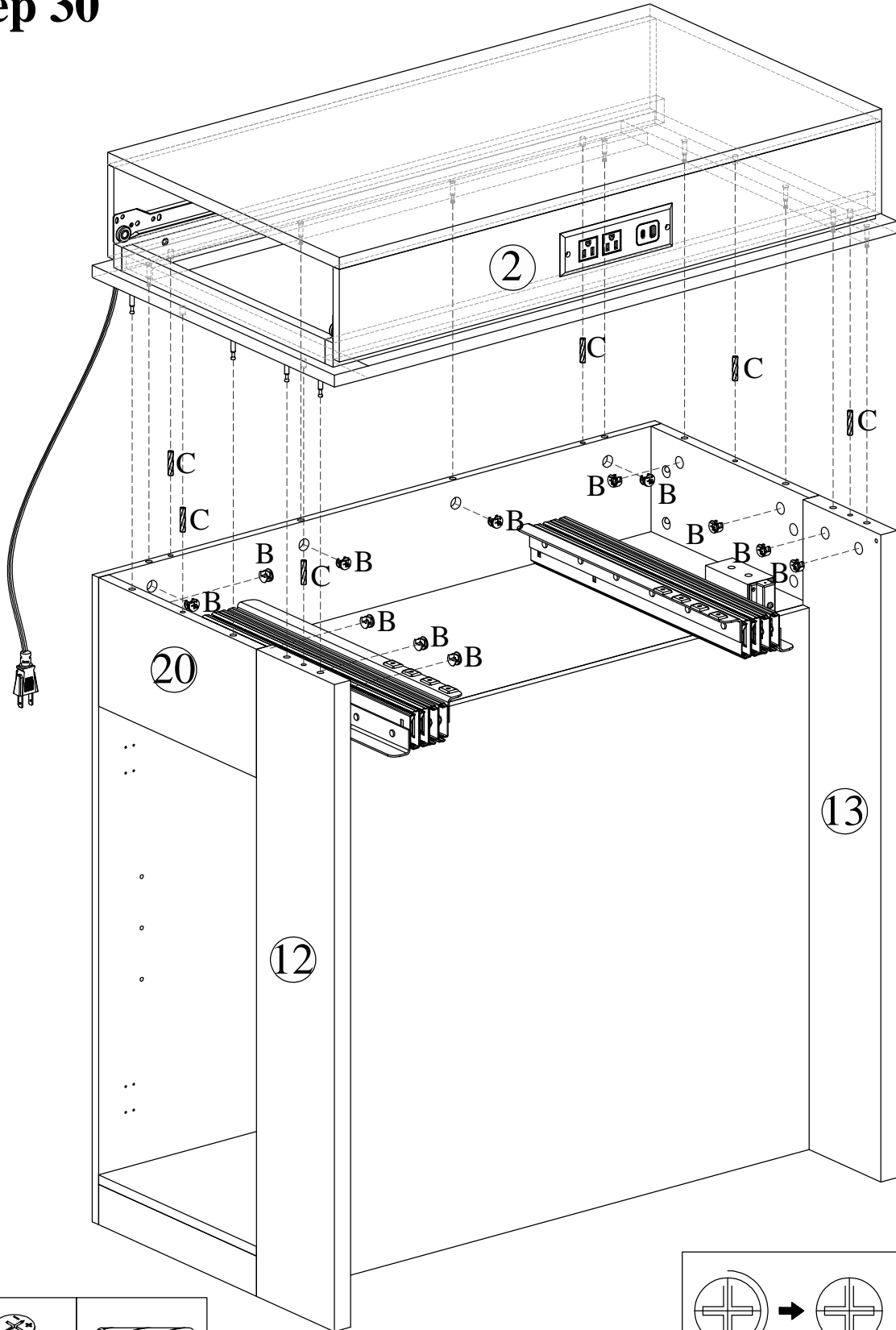
 Lock Minifix cap clockwise


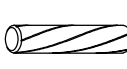
# Step 29

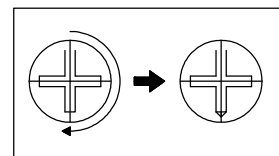


		
H X 1	J X 2	U X 1

# Step 30

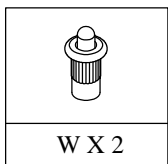
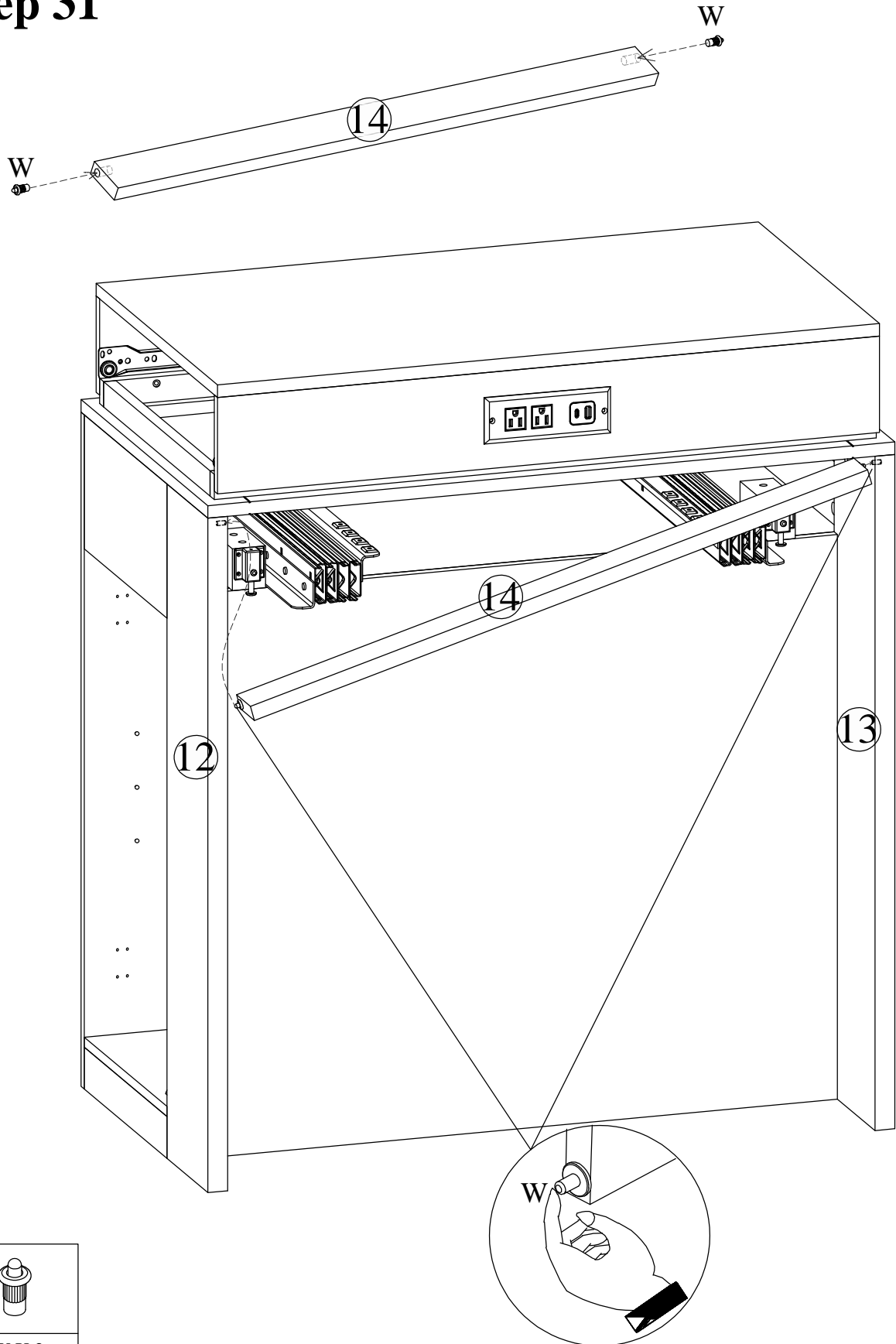


	
Ø15*9mm	Ø6*30mm
B X 12	C X 6

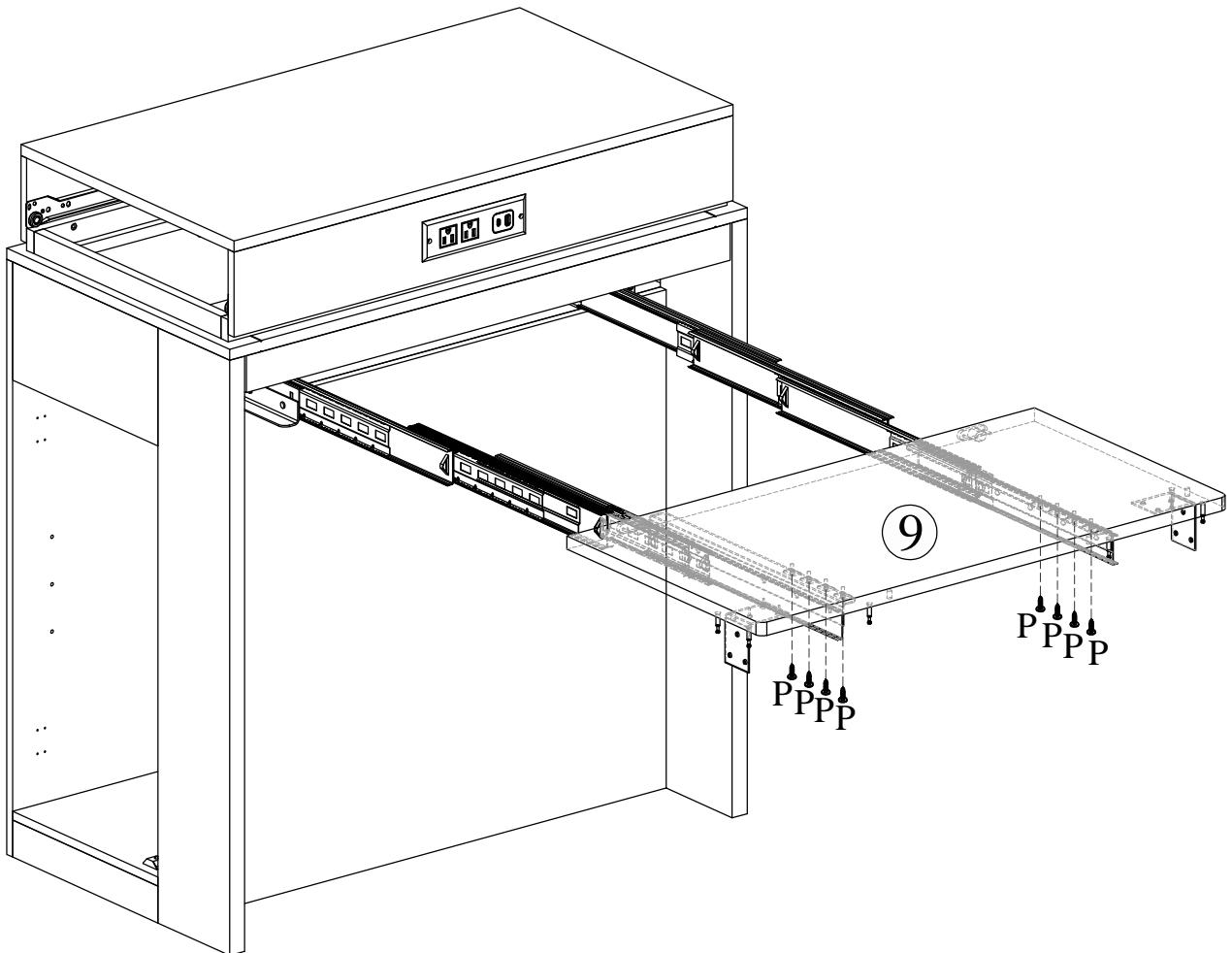
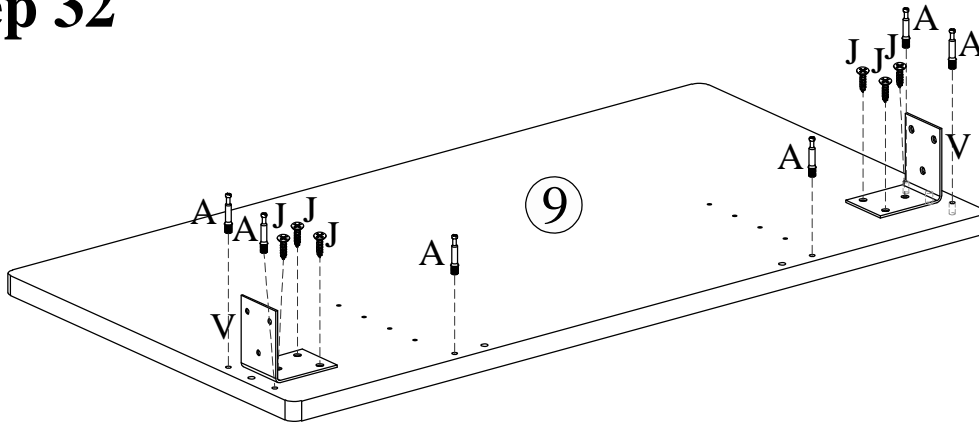


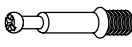



Lock Minifix cap clockwise

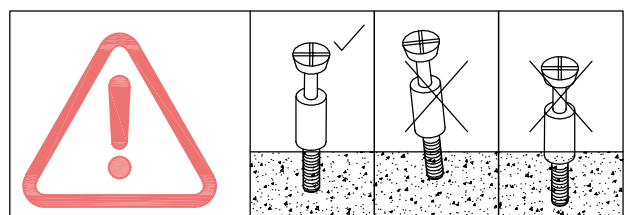
# Step 31



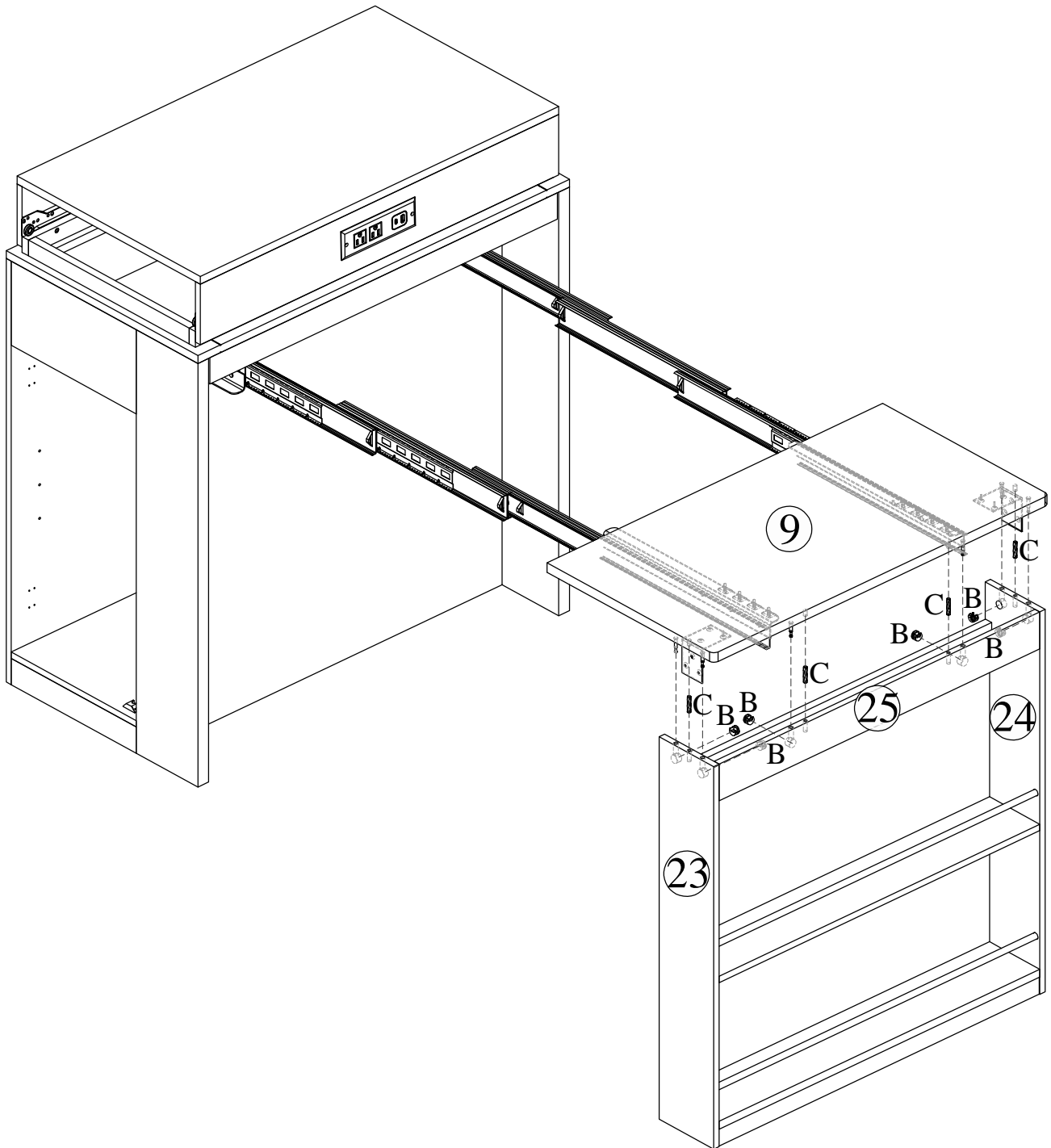
# Step 32


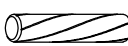


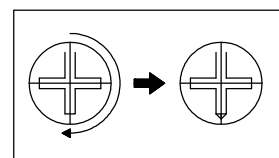
			
Ø6.5*35mm	Ø3*12mm	Ø5*16mm	
A X 6	J X 6	P X 8	V X 2



# Step 33

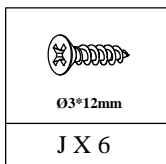
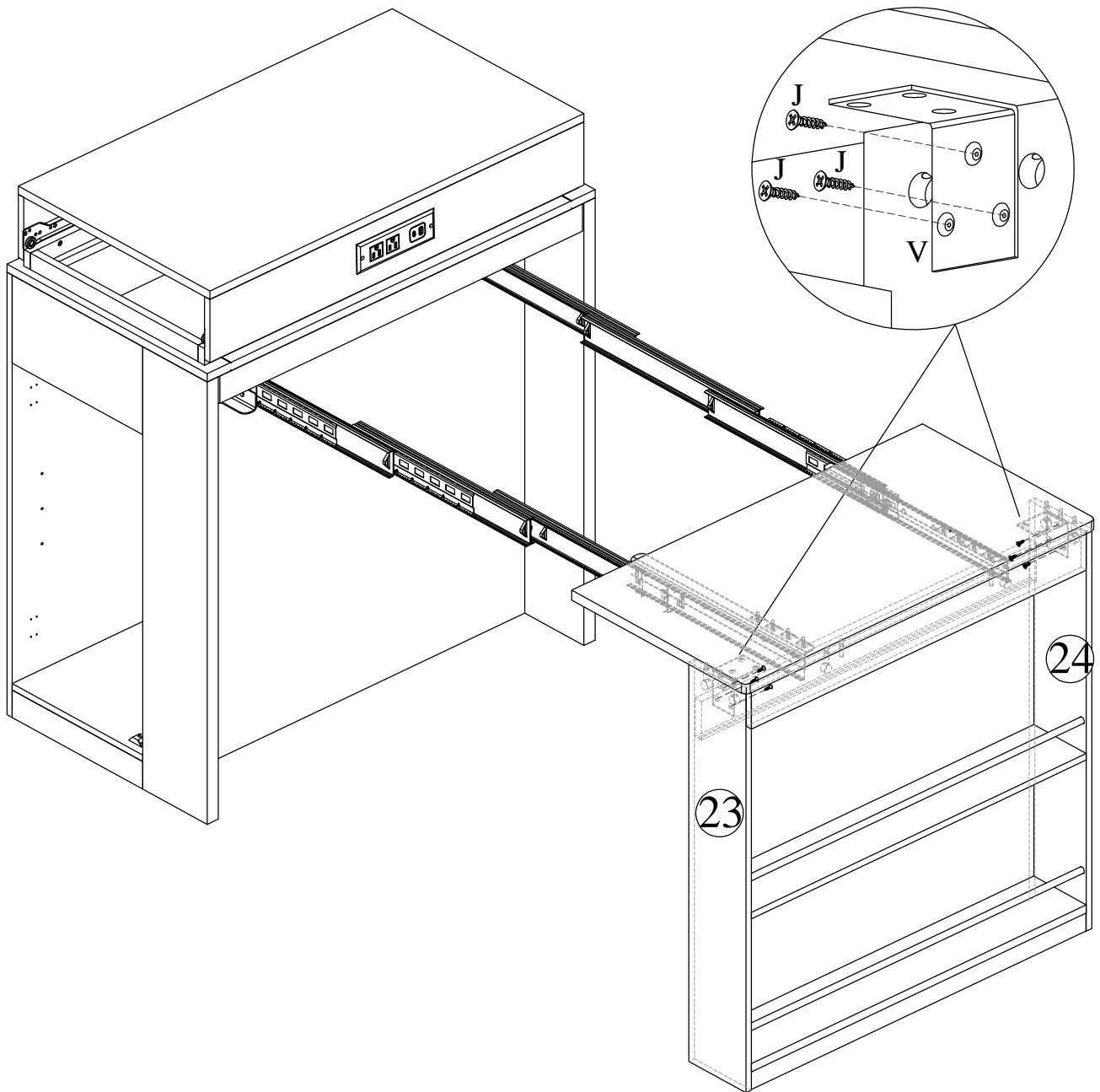


	
Ø15*9mm	Ø6*30mm
B X 6	C X 4

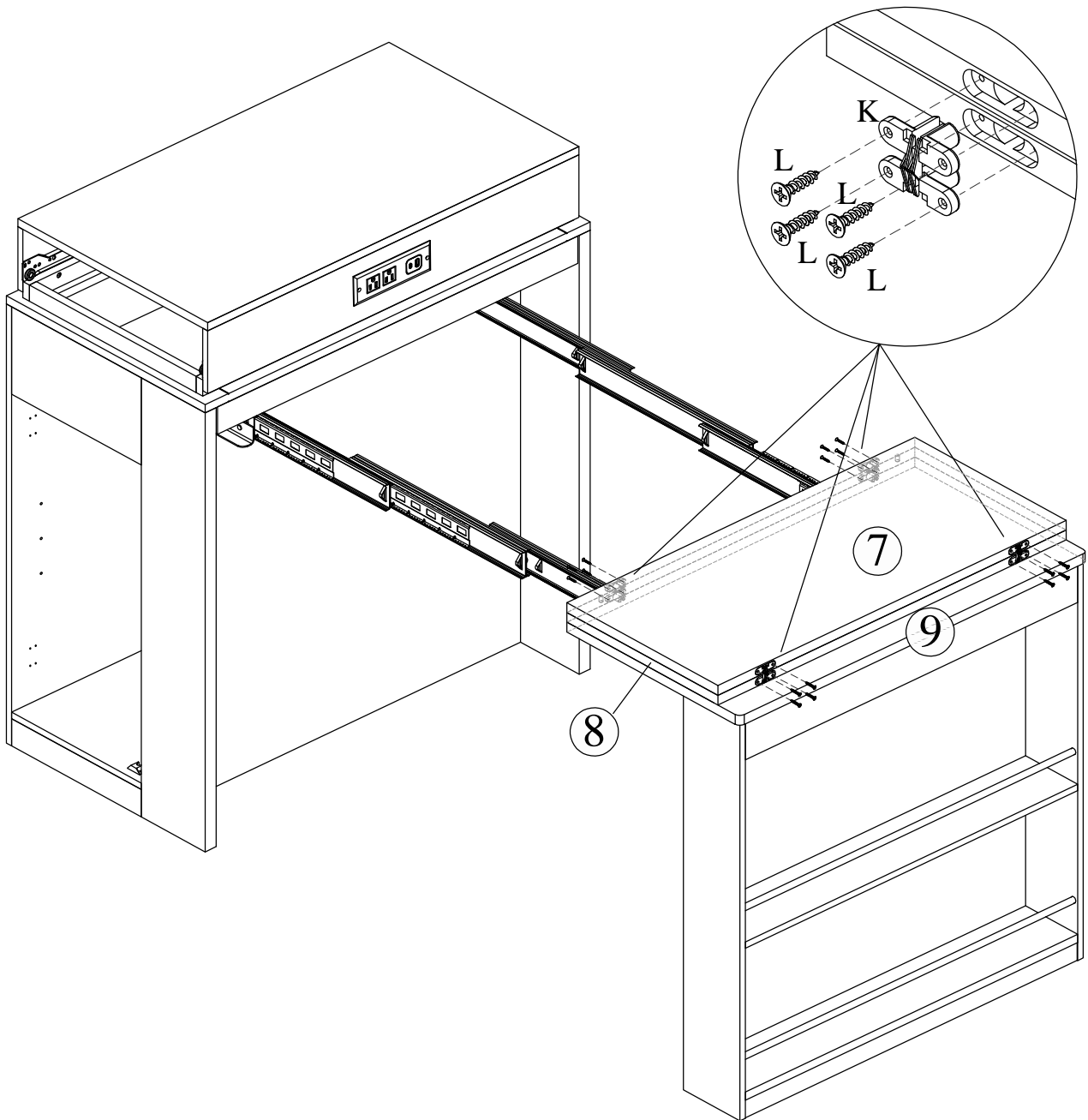


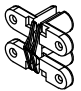

Lock Minifix cap clockwise

# Step 34

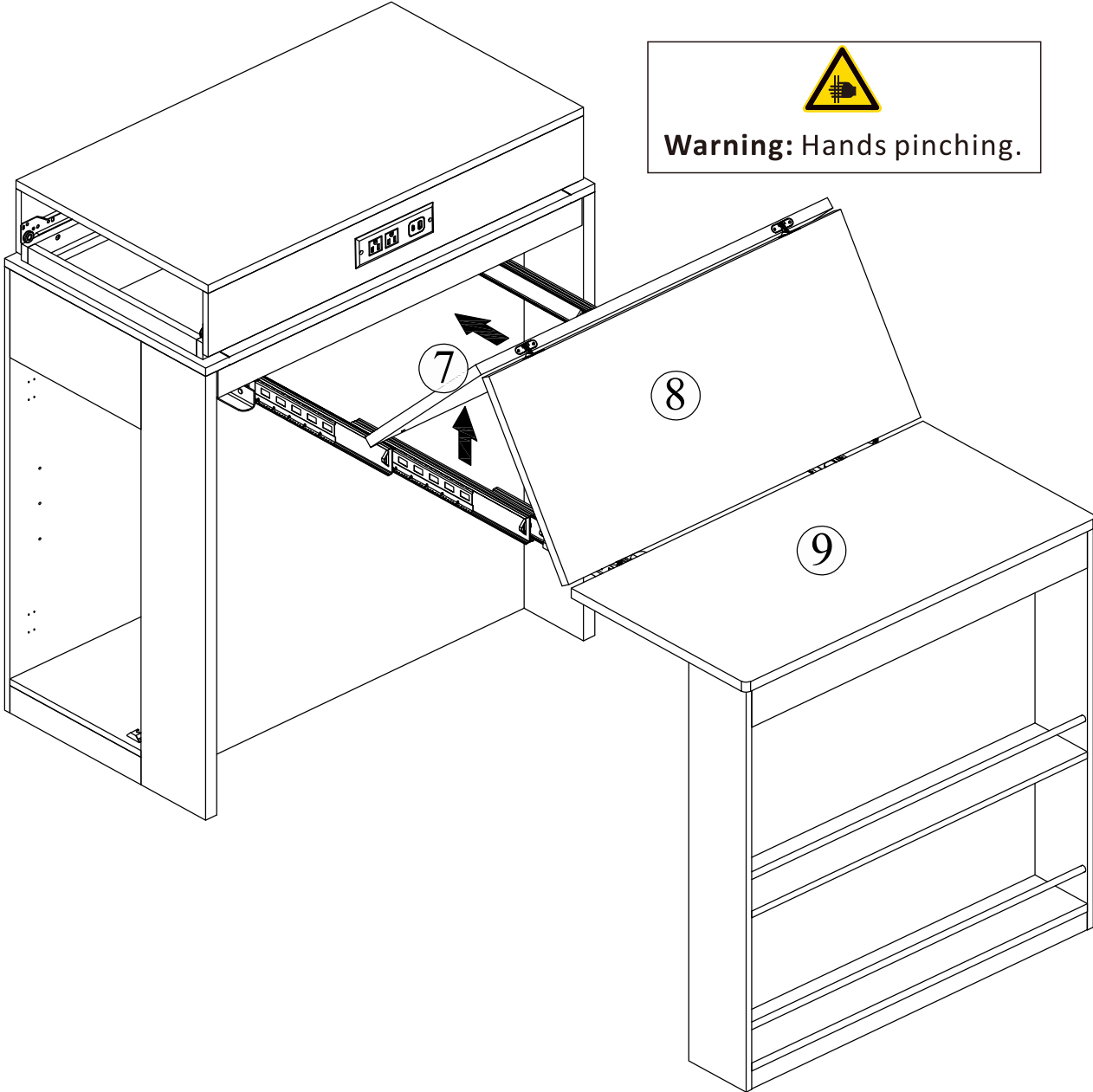


# Step 35



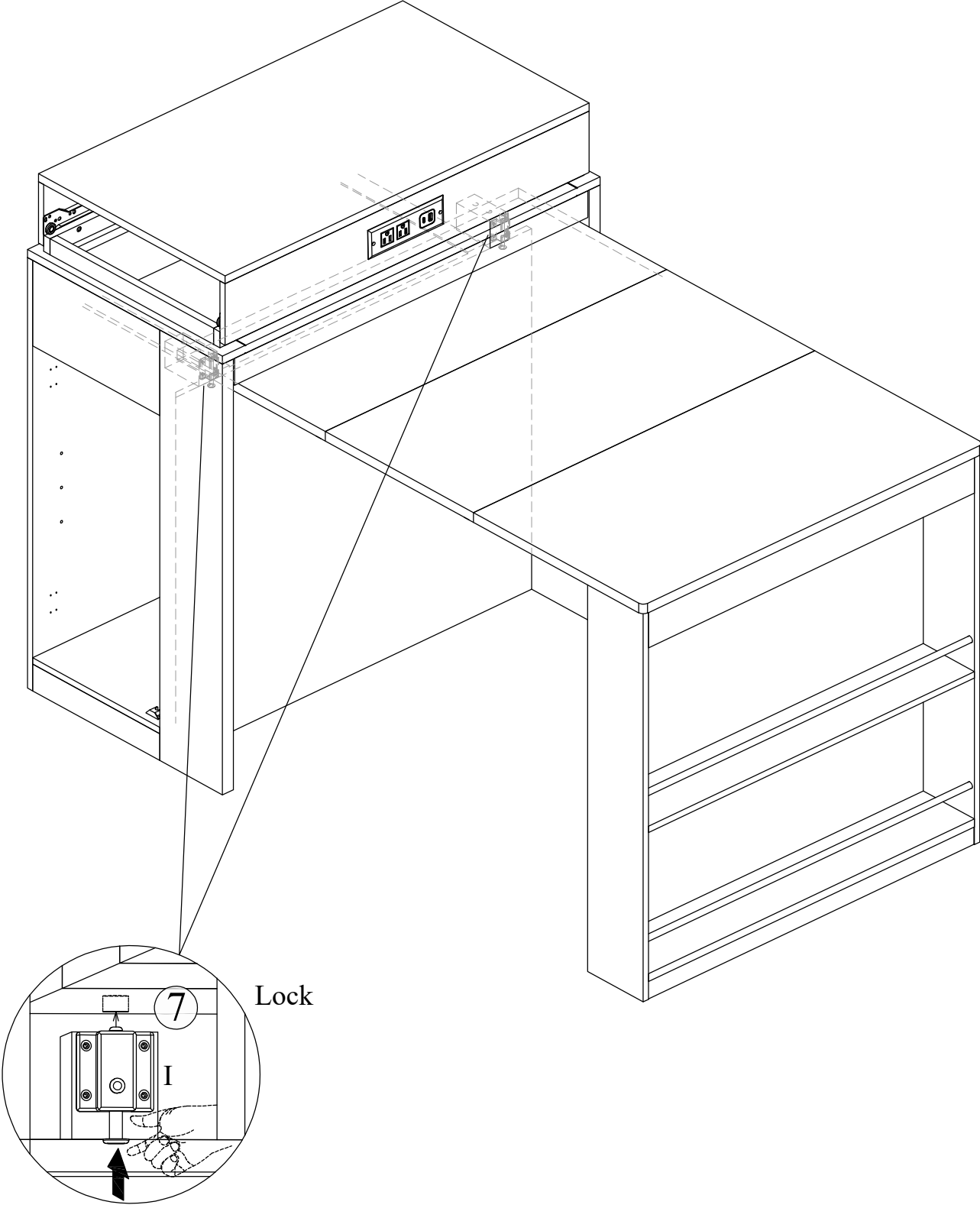
	
K X 4	04*19mm L X 16

# Step 36



---

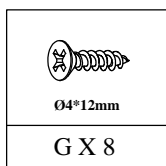
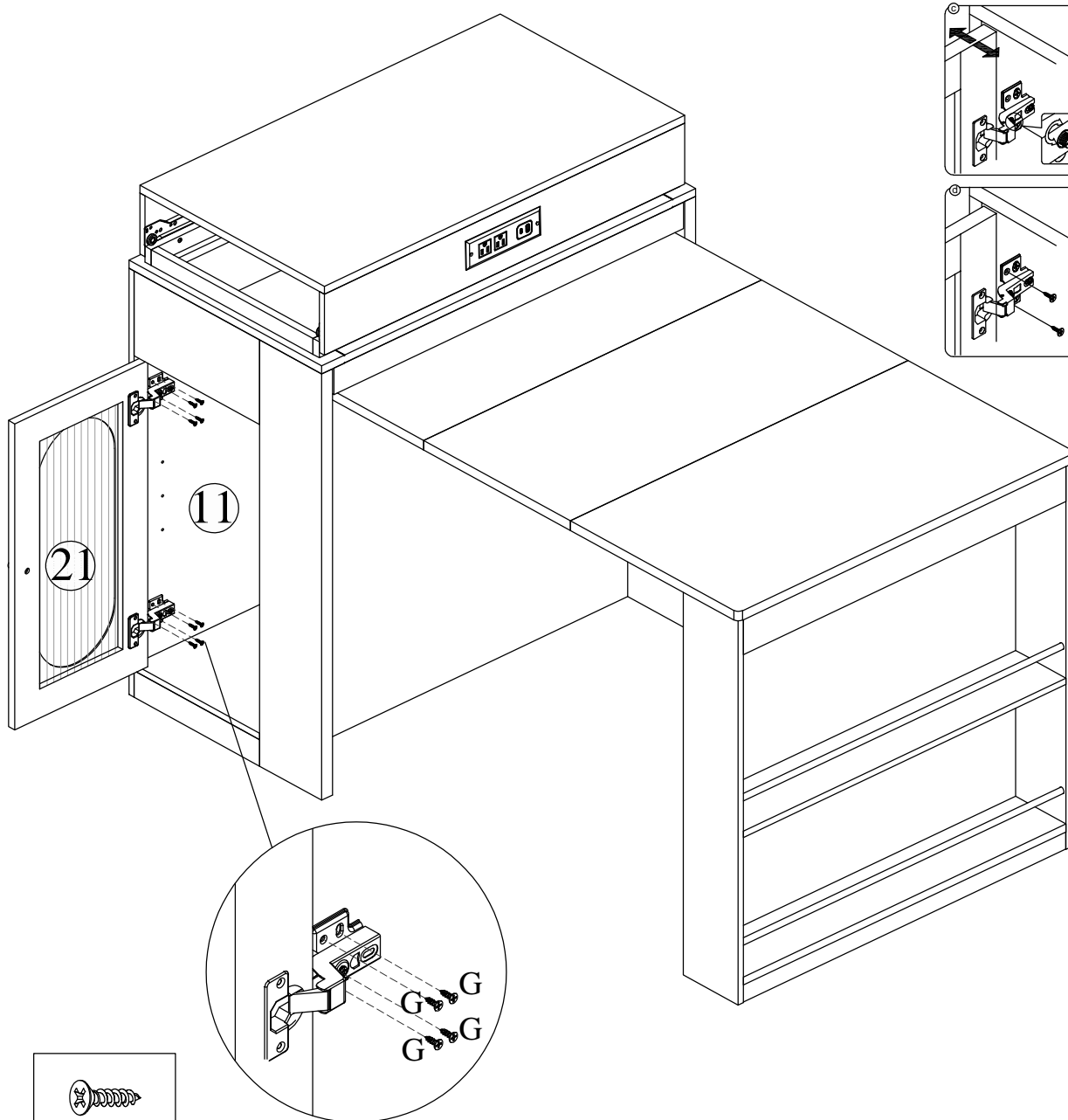
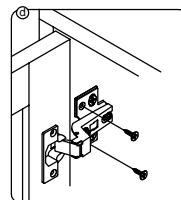
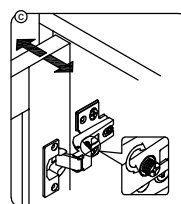
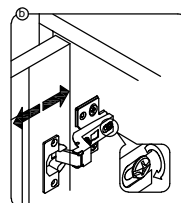
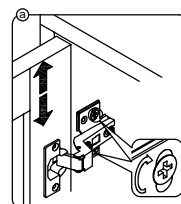
# Step 37



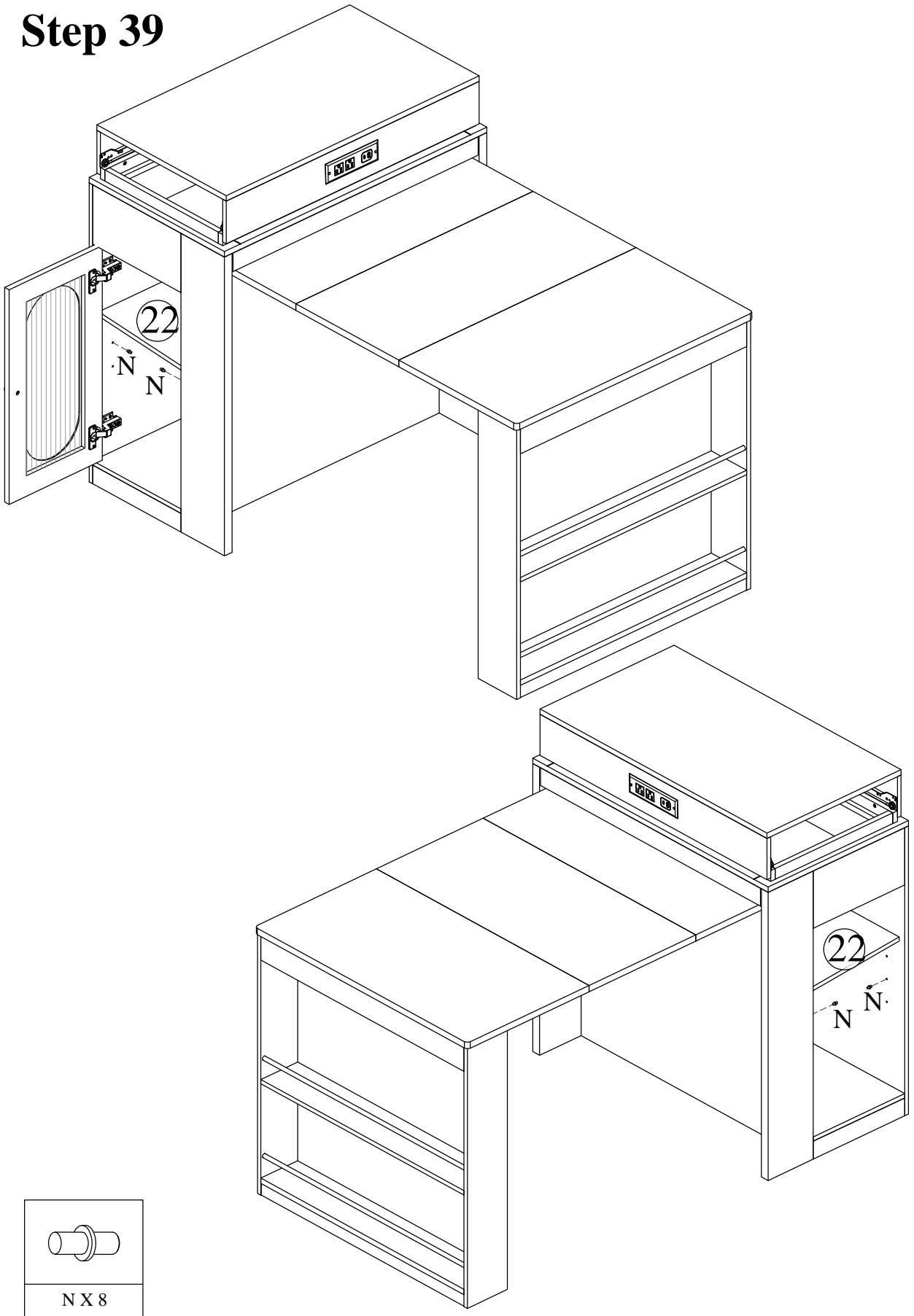
# ASSEMBLY INSTRUCTION

Item : N715P396292/N715P396293

## Step 38

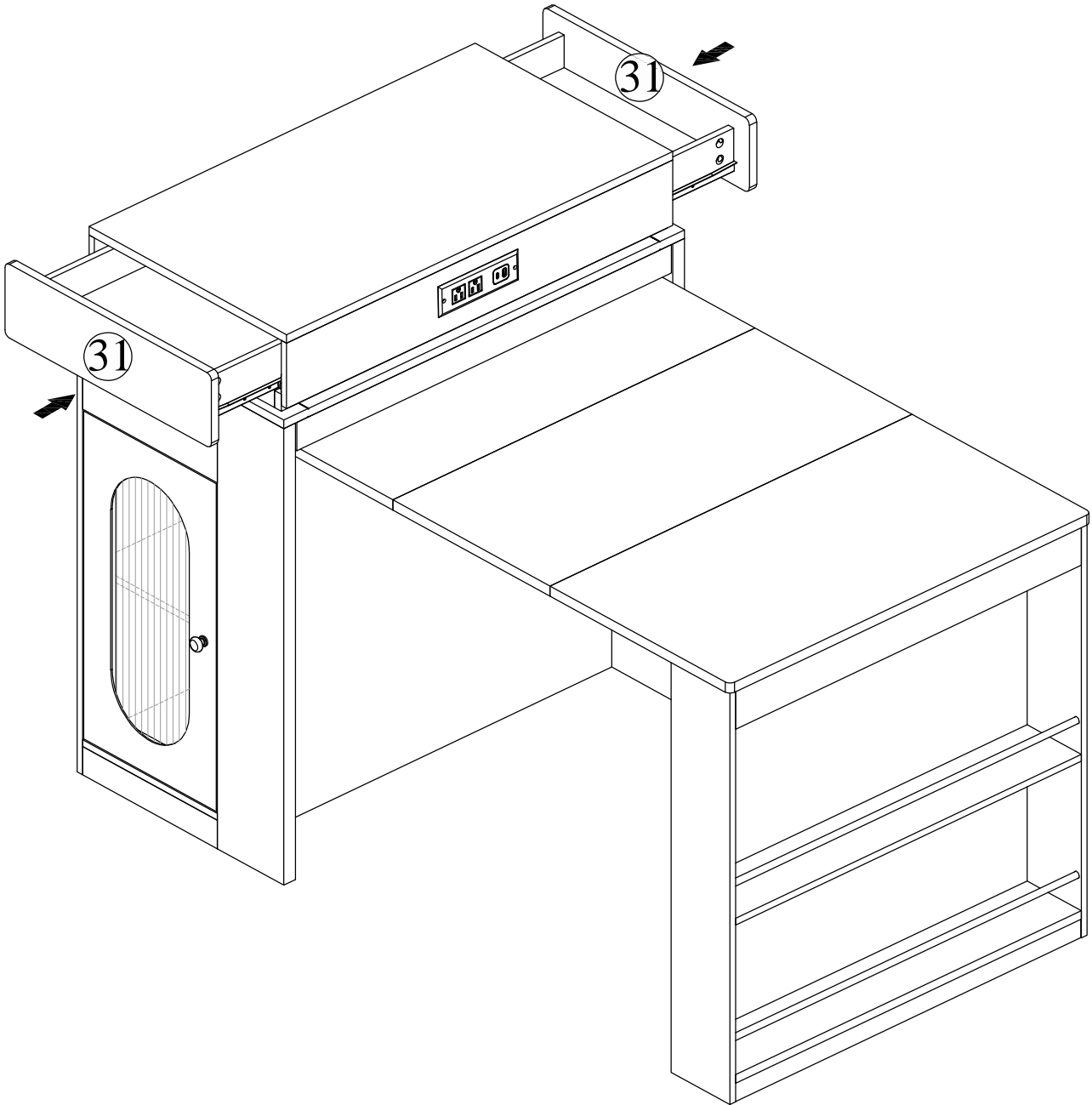


# Step 39



---

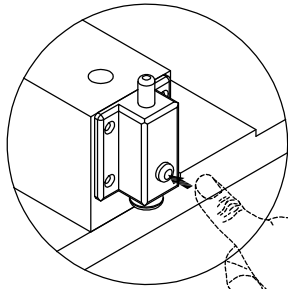
# Step 40



# Step 41

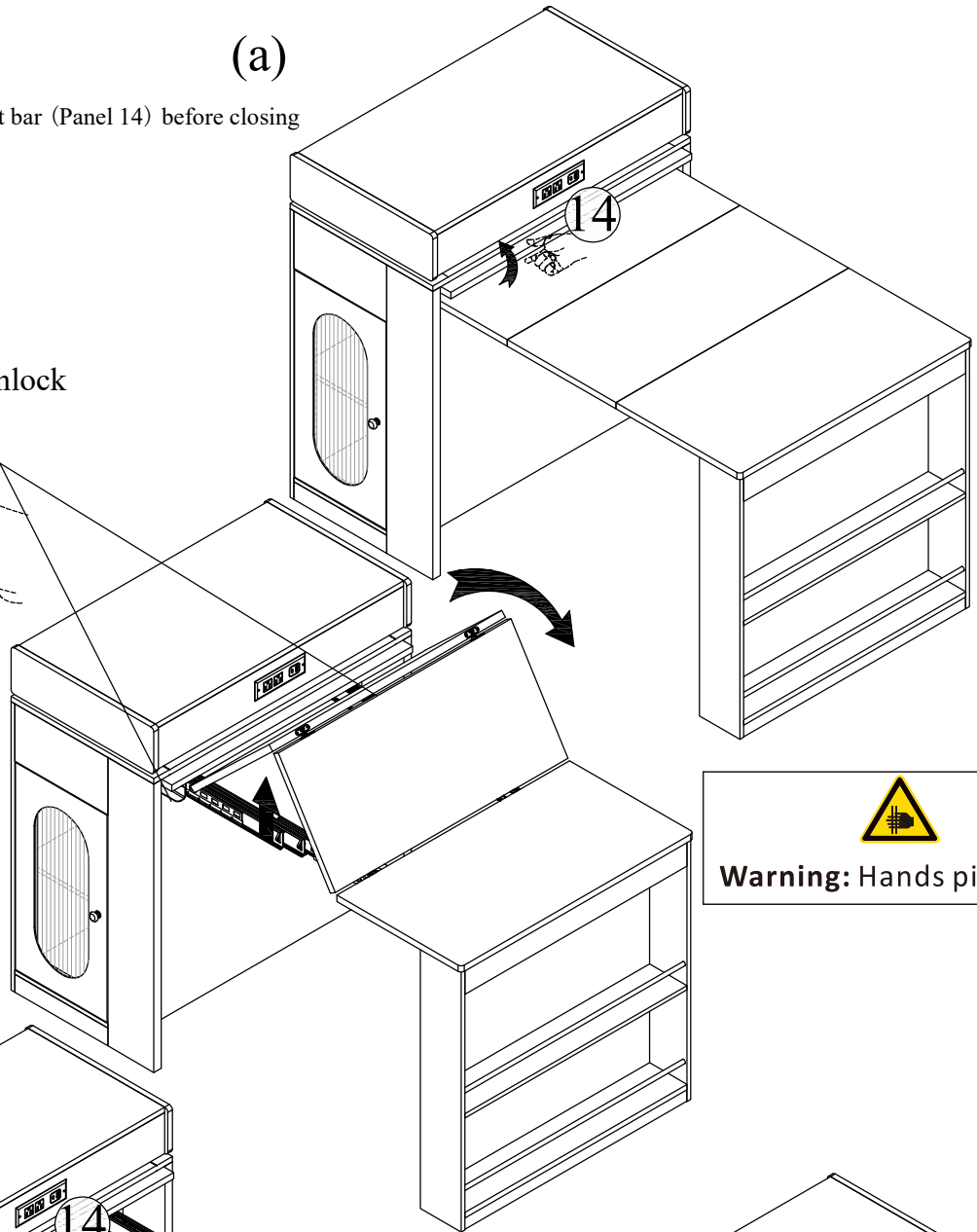
Lift up the front bar (Panel 14) before closing the table

(a)



Unlock

(b)



Warning: Hands pinching.

(c)

(d)

Lift up the front bar (Panel 14) before closing the table