

# King Headboard

## ASSEMBLY INSTRUCTIONS



**20** min. assembly

**2** person

\*The estimated assembly time may vary depending on the individual.

# Hey, there

Now is assembly time!

Deeeeep breathe.... and again....  
Tools ready,  
Easy peasy!

## Estimated



**20** min. assembly  
**2** person

## Tools Required

- Allen Wrench(included)

**important:** *Cautious when you use power tools*

Thank you for purchasing this roduct. This product has been manufactured with the highest standards of safety and quality.

### **PLEASE READ ALL INSTRUCTIONS CAREFULLY BEFORE ASSEMBLY.**

Unpack all parts from the packaging inside the carton to ensure there are no missing or damaged parts. Lay out all the parts on a clean, flat, and soft surface to prevent scratches. Refer to the steps provided as assembling guide.

Do not attempt to assemble or use the product if any parts are missing or damaged.

## REMINDERS

### **SAFE USAGE IS KEY**

Your well-being is our top priority when you use our product. Please prioritize your safety by diligently following the assembly guidelines and inspecting the product carefully both when it arrives and before each use.

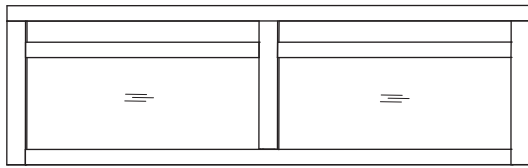
Please be aware that we cannot be held liable for any injuries or fatalities that occur due to not adhering to the provided instructions or misuse of the product.

### **DO NOT MODIFY**

Our products undergo rigorous testing to ensure they meet established safety standards before being released for sale. Altering the product in any way can lead to serious safety concerns, for which we cannot assume responsibility.

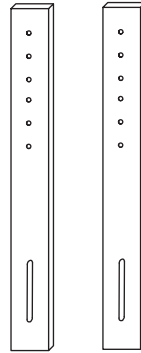
# What's in the box

## Parts in Box



Ⓐ X 1

Headboard Panel



Ⓑ X 2

Headboard Support Bar

## Hardware & Accessory



① X 10

M6 x 35mm JCB



② X 10

Spring Washer



③ X 10

Flat Washer






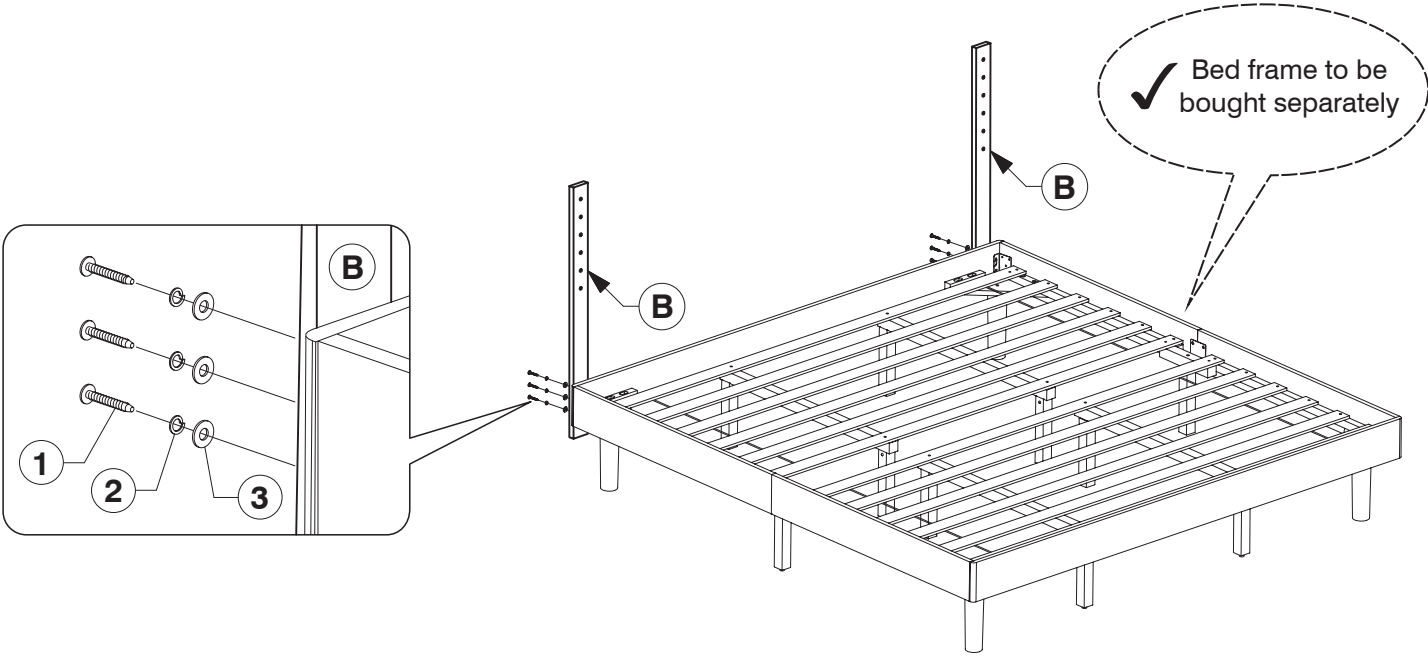
④ X 1

M4 Allen Key

# Step 1




Assemble the Support Bars (B) to the Headboard Panel.

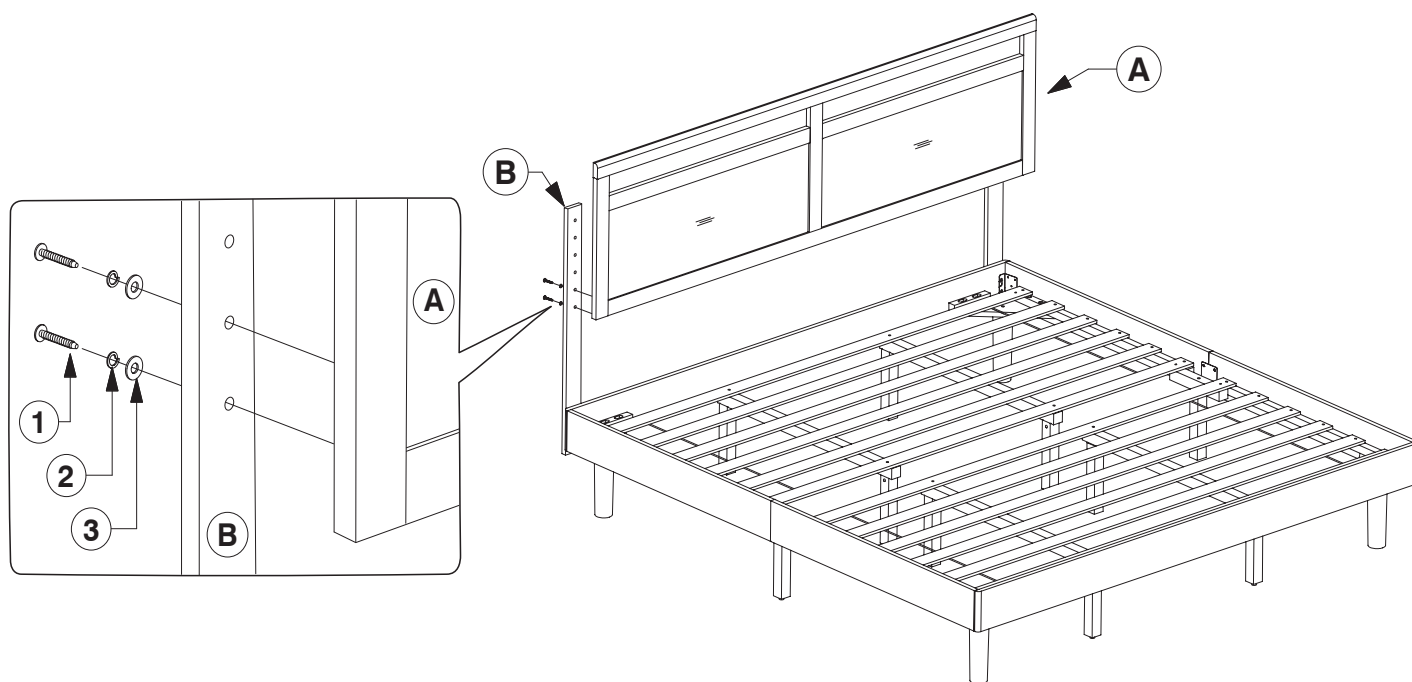
① X 6	② X 6	③ X 6
		
JCB M6 x 35mm	Spring Washer	Flat Washer



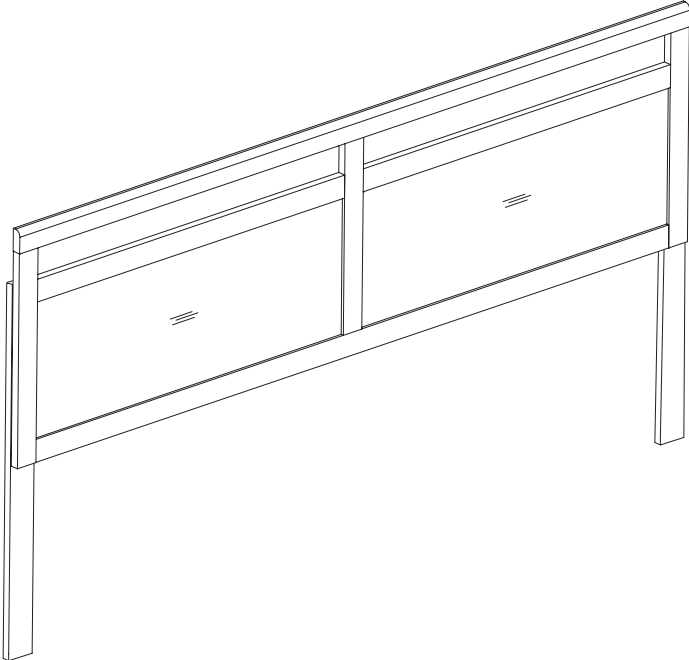
# Step 2

Assemble the Headboard Panel (A) to the Support Bars (B).

① X 4	② X 4	③ X 4
		
JCB M6 x 35mm	Spring Washer	Flat Washer



Now enjoy.



# Something not right?

We are always here to help.

## **We make mistakes like every human does.**

Though we always strive to provide the best possible products at competitive prices and the best service in the industry, it's not possible to completely eliminate mistakes. If you experience any dissatisfaction, feel free to contact us immediately. Our in-house customer care team will respond ASAP.

## **Things to do to expedite the process**

- Have your order# ready
- Take photos/videos to help us better identify the issues
- DO NOT throw away the packaging