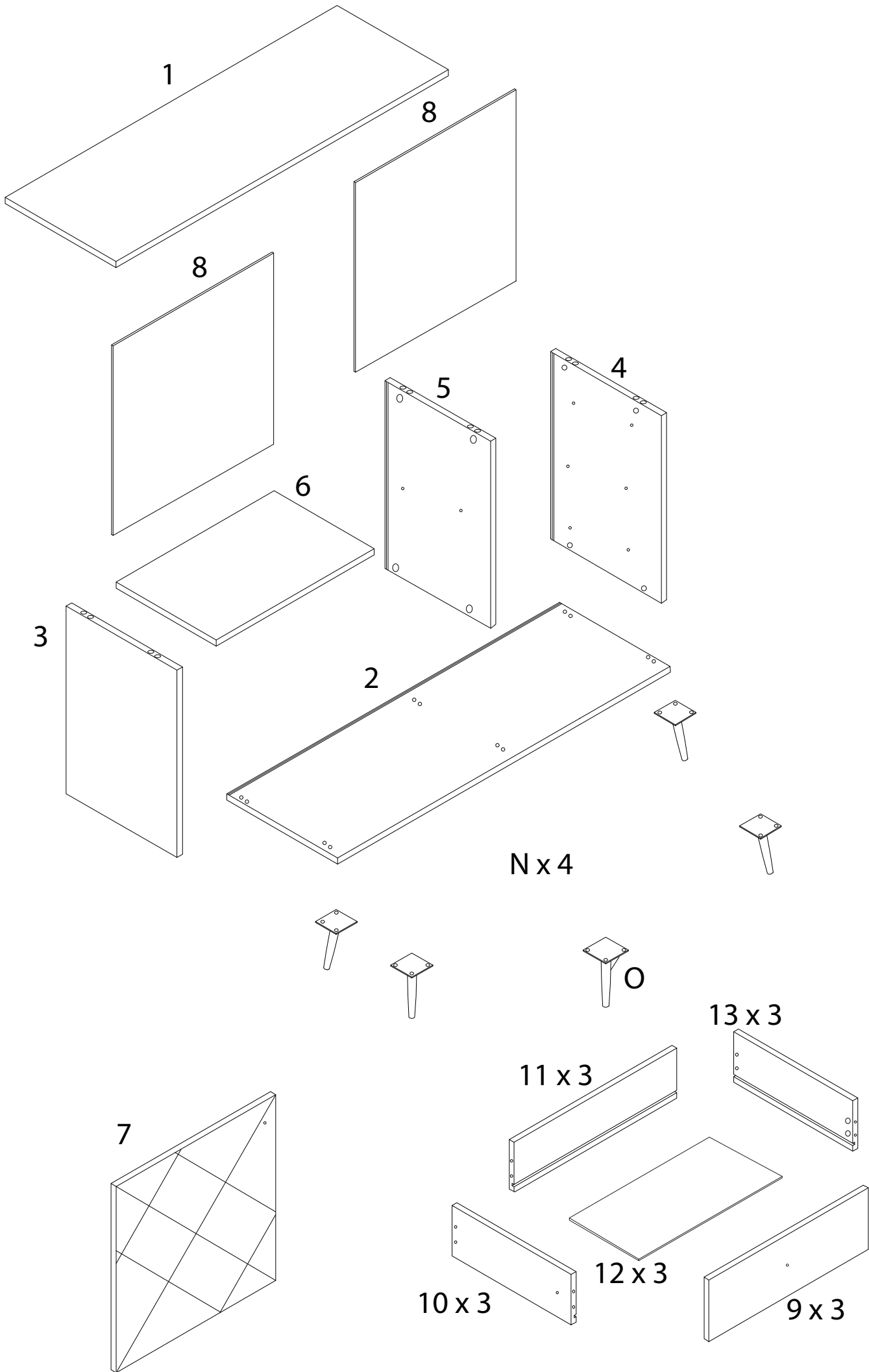
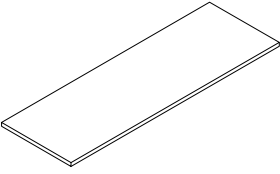
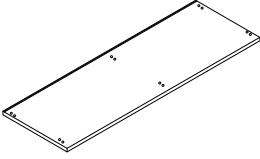
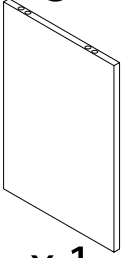
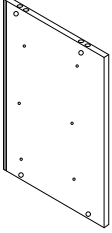
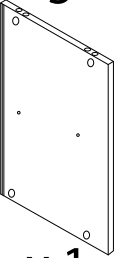
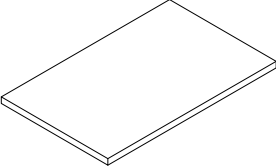
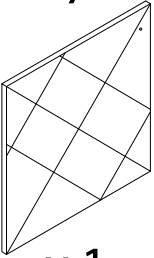
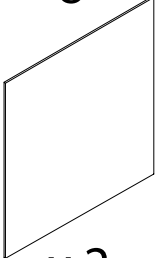
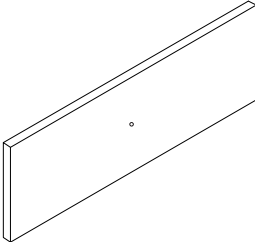
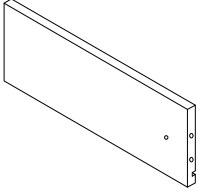
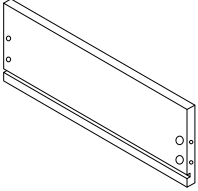
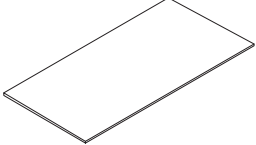
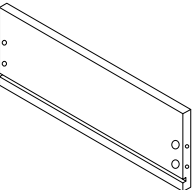
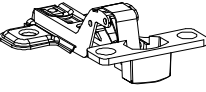
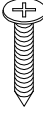
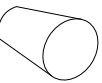
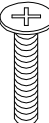


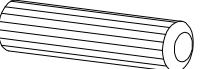


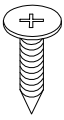
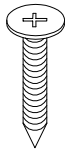


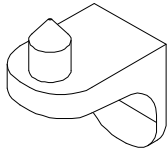
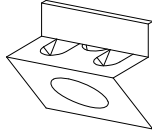
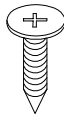
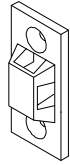

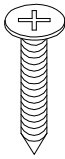
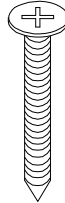
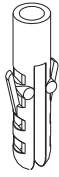


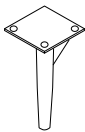
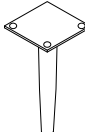
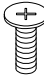


Assembly instructions for the cabinet door:

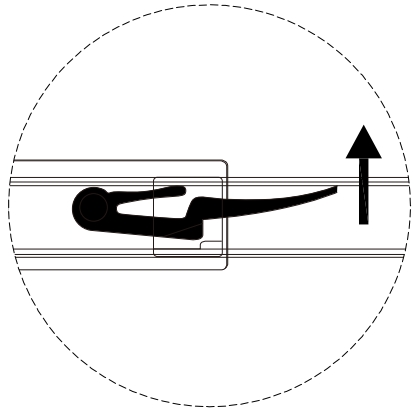
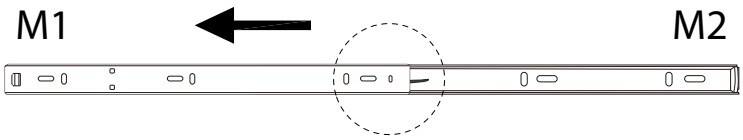
- Top Section:** A box containing a screwdriver icon and a crossed-out power drill icon, indicating that a screwdriver should be used and a power drill should not. To the right of this box is a warning triangle (exclamation mark in a triangle).
- Time:** A clock icon with the text "90'" below it, indicating a 90-minute assembly time.
- Bottom Section:** A box containing an icon of a block being placed on a surface and a crossed-out icon of a block being placed on a surface, indicating the correct placement of the door panel. To the right of this box is another warning triangle (exclamation mark in a triangle).
- Person:** An icon of a person with the number "1" below it, indicating that one person is required for assembly.



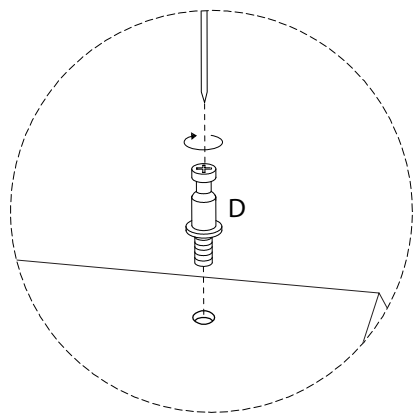
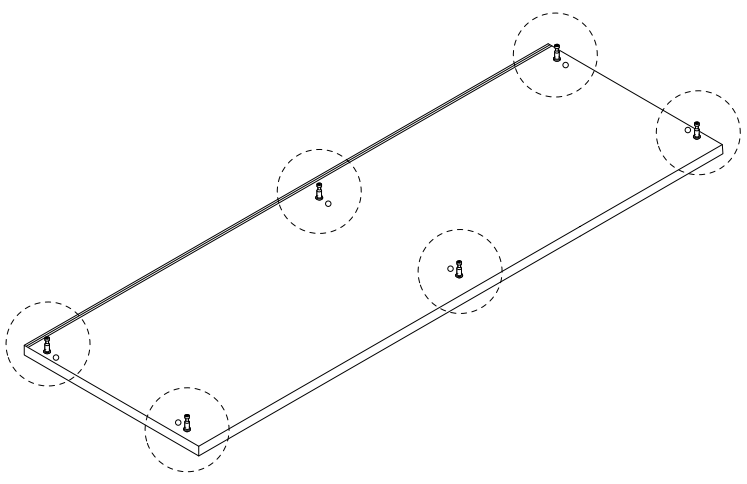
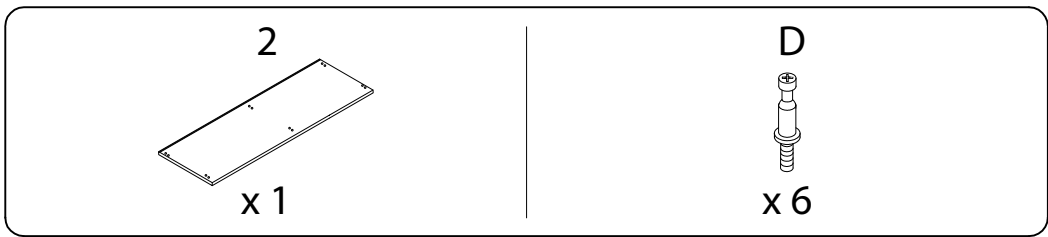
<p>1</p>  <p>x 1</p>	<p>2</p>  <p>x 1</p>	<p>3</p>  <p>x 1</p>	<p>4</p>  <p>x 1</p>
<p>5</p>  <p>x 1</p>	<p>6</p>  <p>x 1</p>	<p>7</p>  <p>x 1</p>	<p>8</p>  <p>x 2</p>
<p>9</p>  <p>x 3</p>	<p>10</p>  <p>x 3</p>	<p>11</p>  <p>x 3</p>	<p>12</p>  <p>x 3</p>
<p>13</p>  <p>x 3</p>	<p>A1</p>  <p>x 2</p>	<p>A2</p>  <p>x 12</p>	<p>B</p>  <p>x 4</p>
<p>C</p>  <p>M4 x 22</p> <p>x 4</p>	<p>D</p>  <p>x 12</p>	<p>E</p>  <p>x 12</p>	<p>F</p>  <p>x 12</p>

<p>G</p>  <p>M3.5 x 12</p> <p>x 24</p>	<p>H</p>  <p>M4 x 30</p> <p>x 12</p>	<p>I1</p>  <p>x 12</p>	
<p>I2</p>  <p>x 12</p>	<p>J</p>  <p>x 4</p>	<p>K1</p>  <p>x 8</p>	
<p>K2</p>  <p>x 8</p>	<p>L1</p>  <p>x 2</p>	<p>L2</p>  <p>x 1</p>	
<p>L3</p>  <p>x 2</p>	<p>L4</p>  <p>x 2</p>	<p>L5</p>  <p>x 2</p>	<p>M1</p>  <p>x 6</p>
<p>M2</p>  <p>x 6</p>	<p>N</p>  <p>x 4</p>	<p>O</p>  <p>x 1</p>	<p>P</p>  <p>M6 x 16</p> <p>x 19</p>

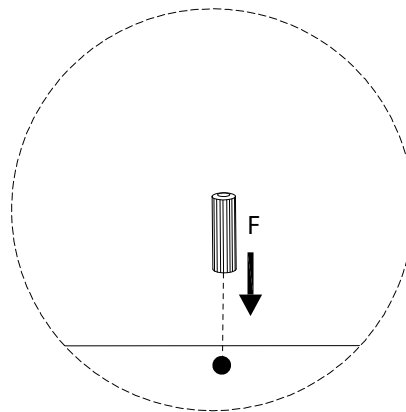
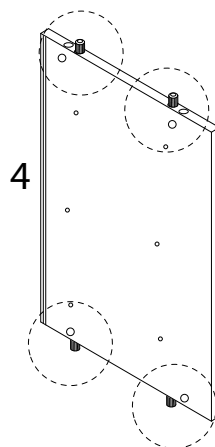
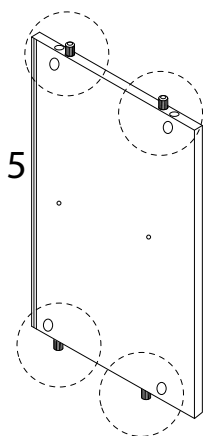
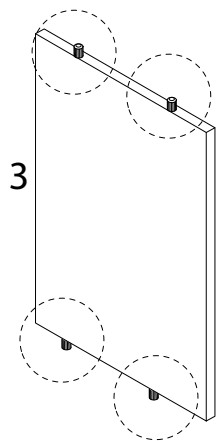
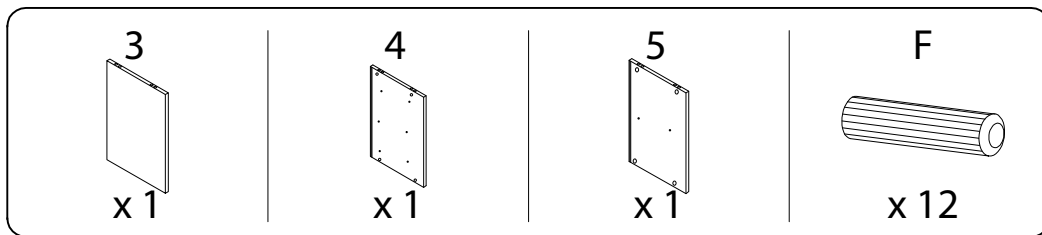
!



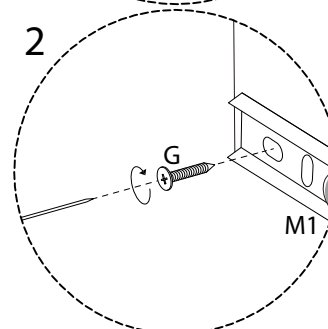
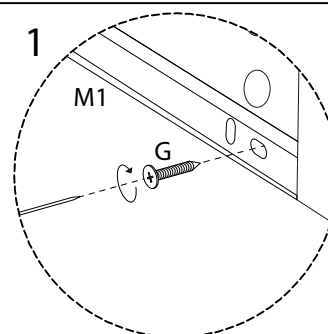
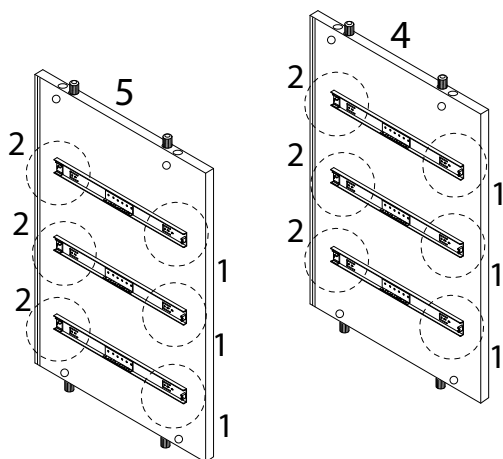
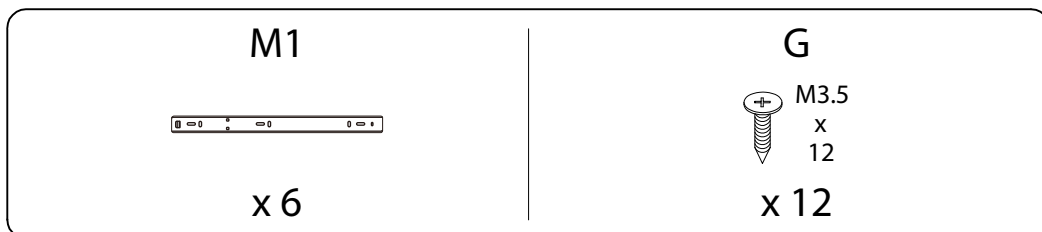
1



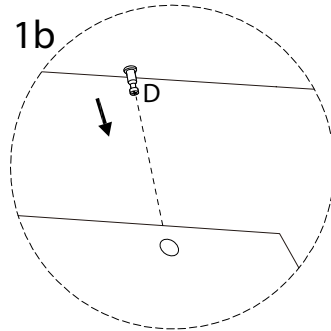
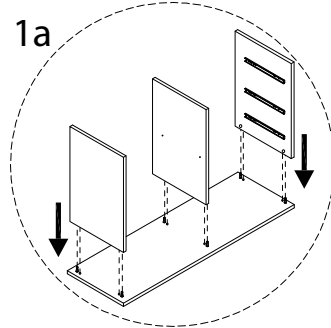
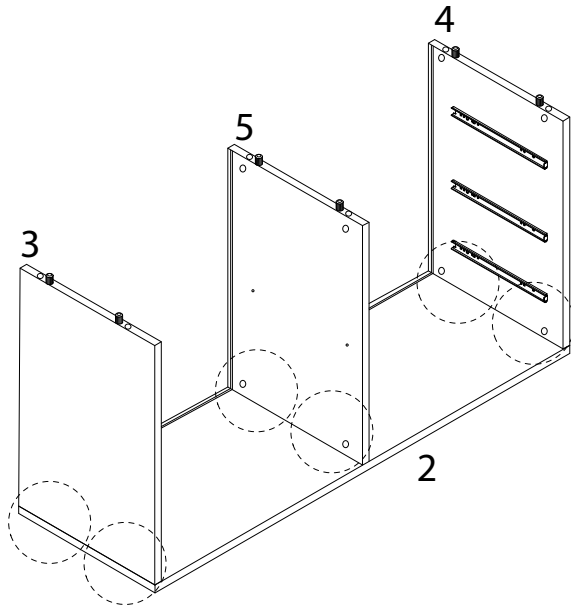
2



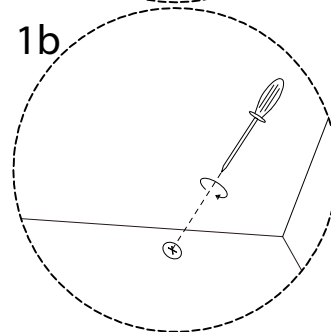
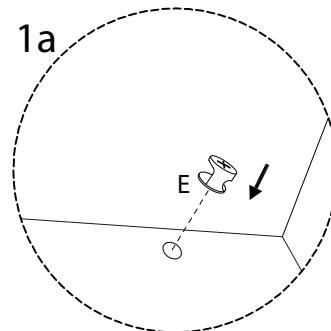
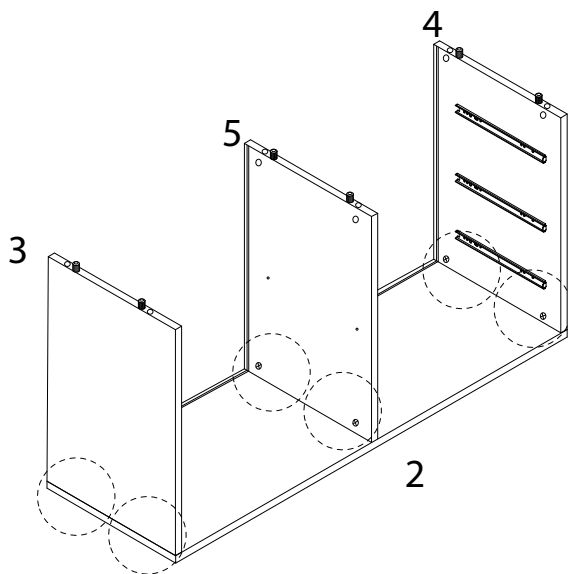
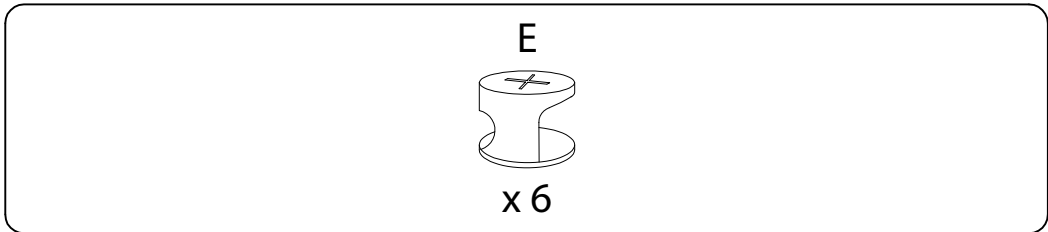
3



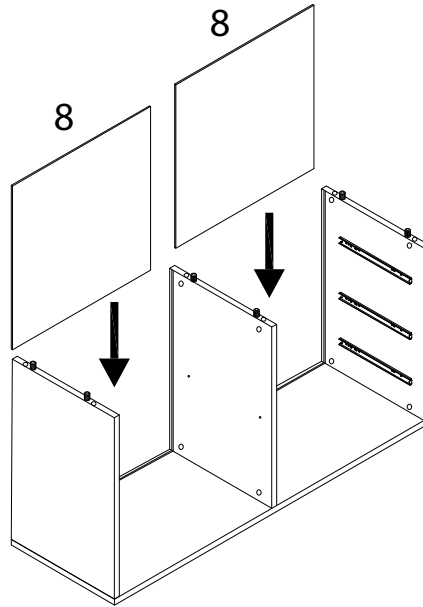
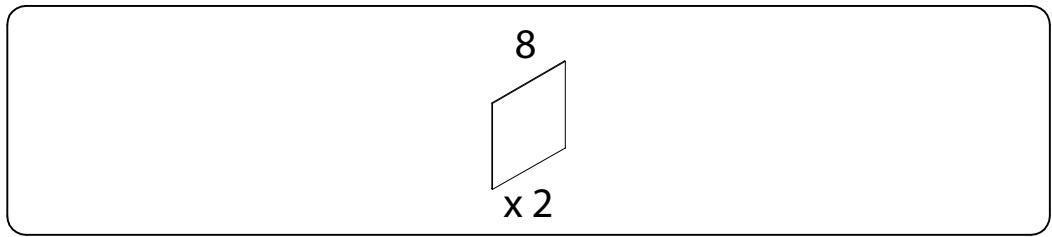
4



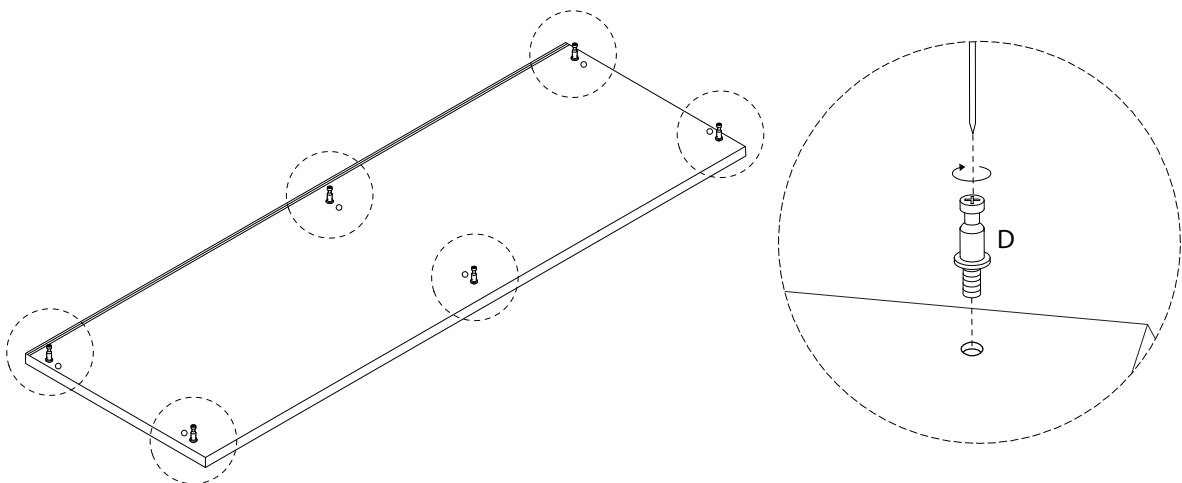
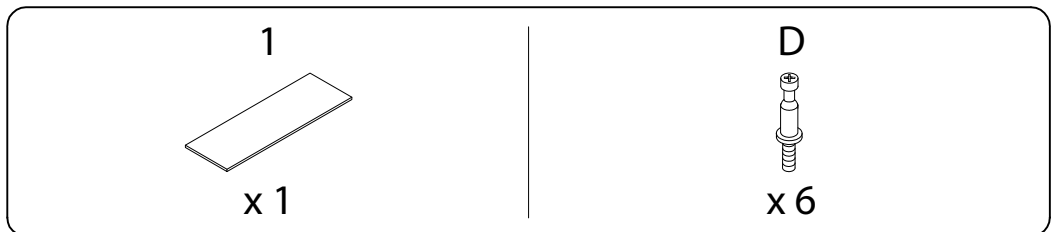
5



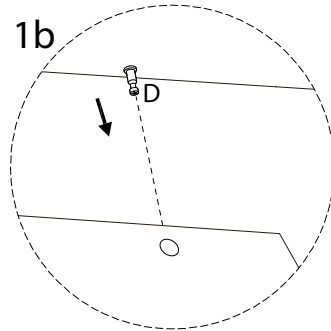
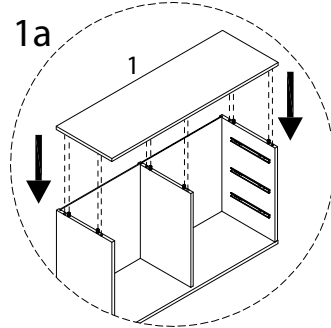
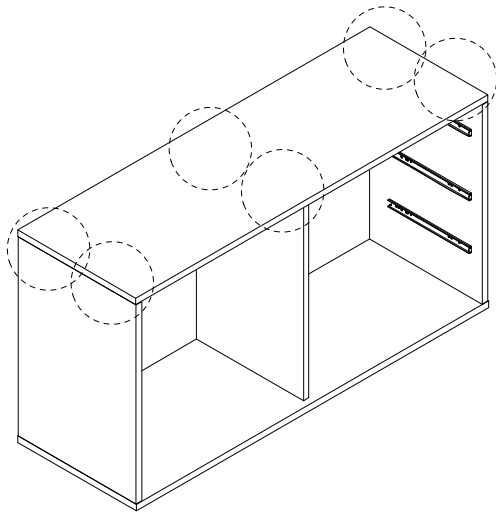
6



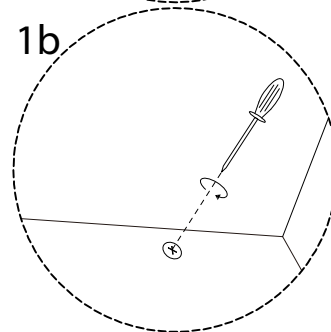
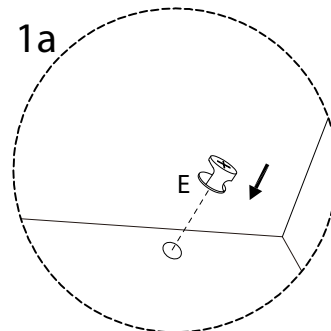
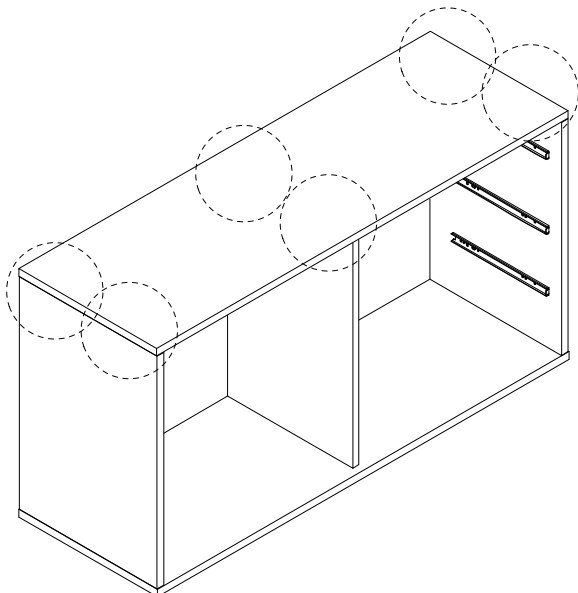
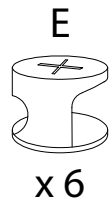
7



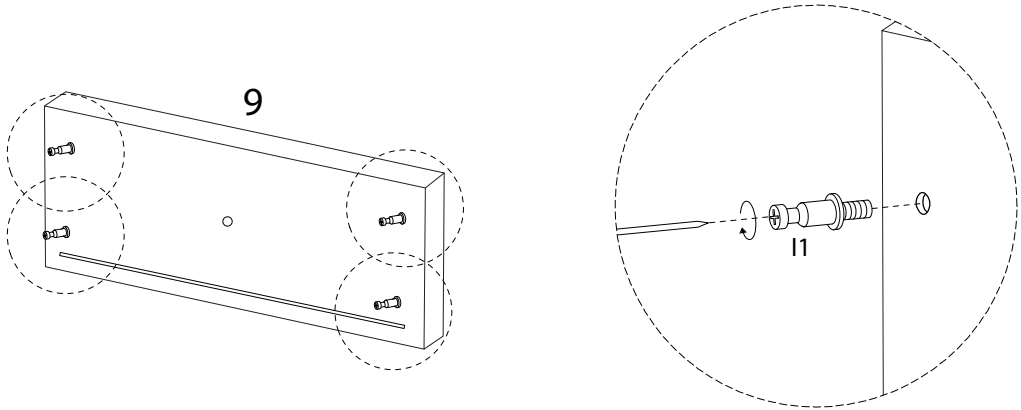
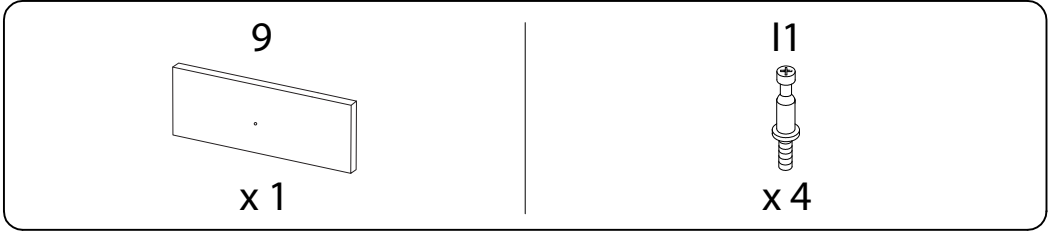
8



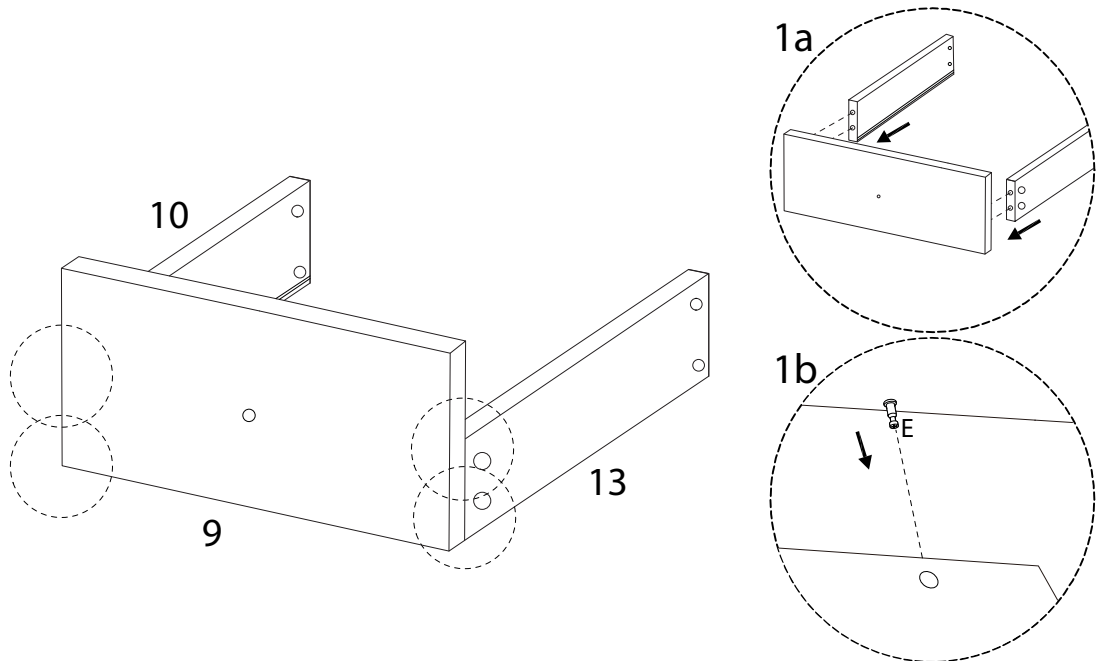
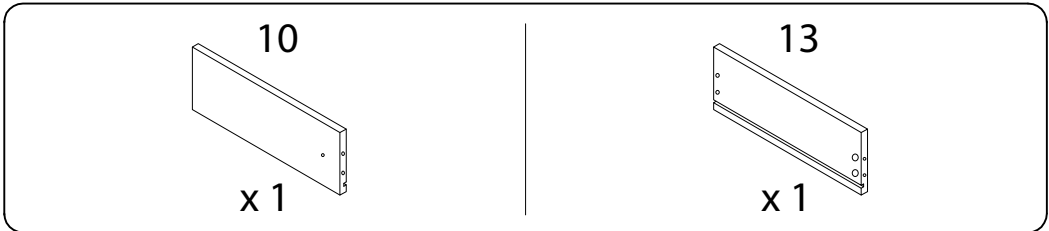
9



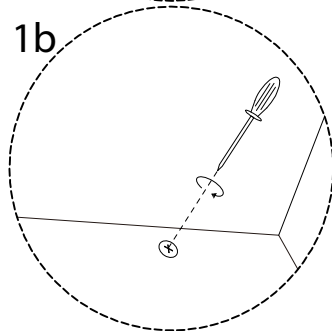
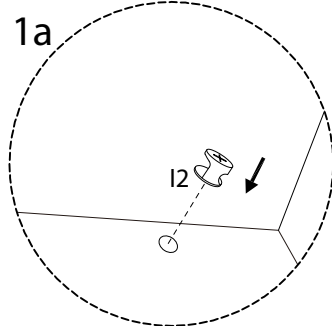
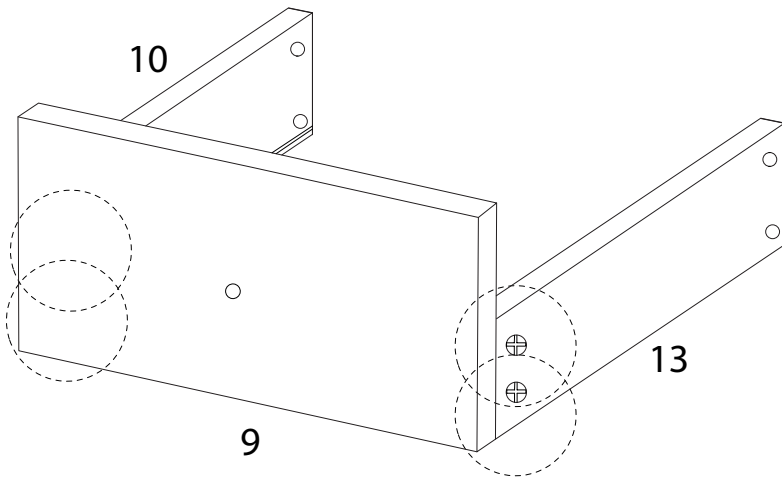
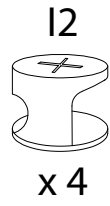
10 x 3



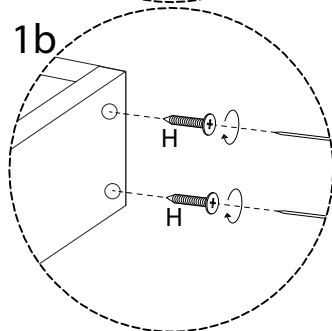
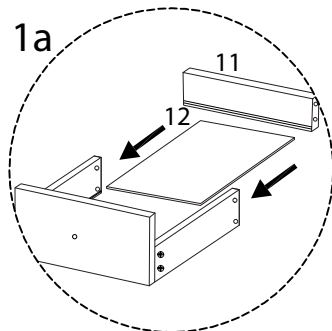
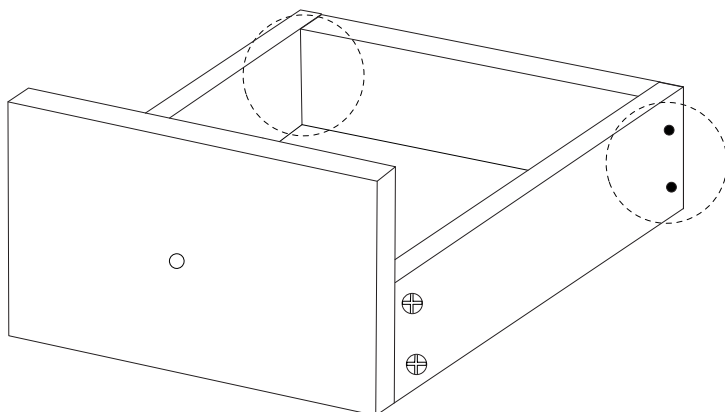
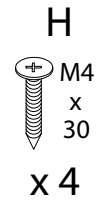
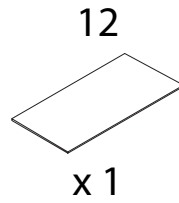
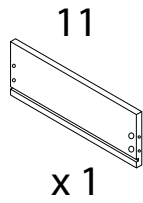
11 x 3



12 x 3

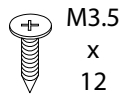


13 x 3



14 x 3

G

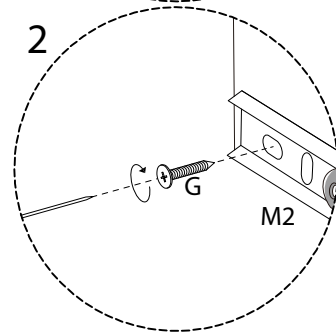
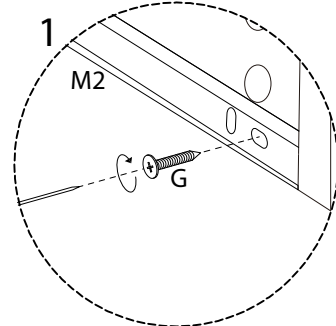
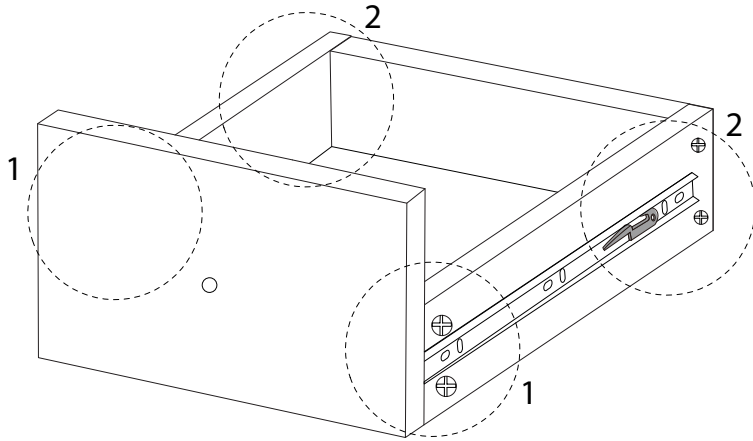


x 4

M2

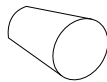


x 2



15 x 3

B

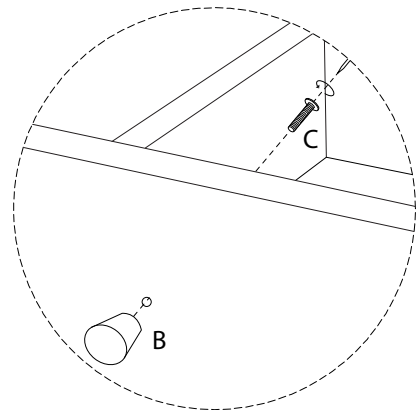
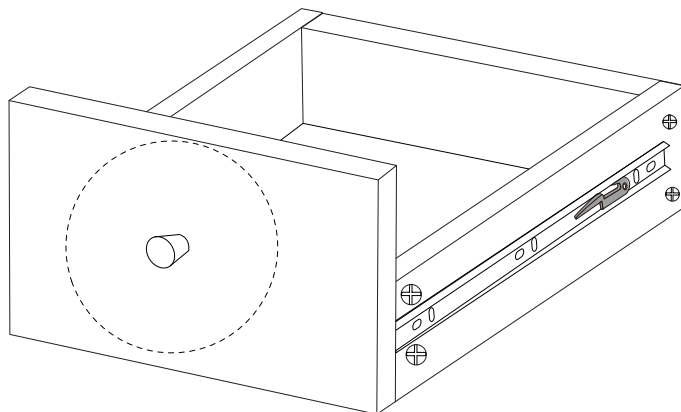


x 1

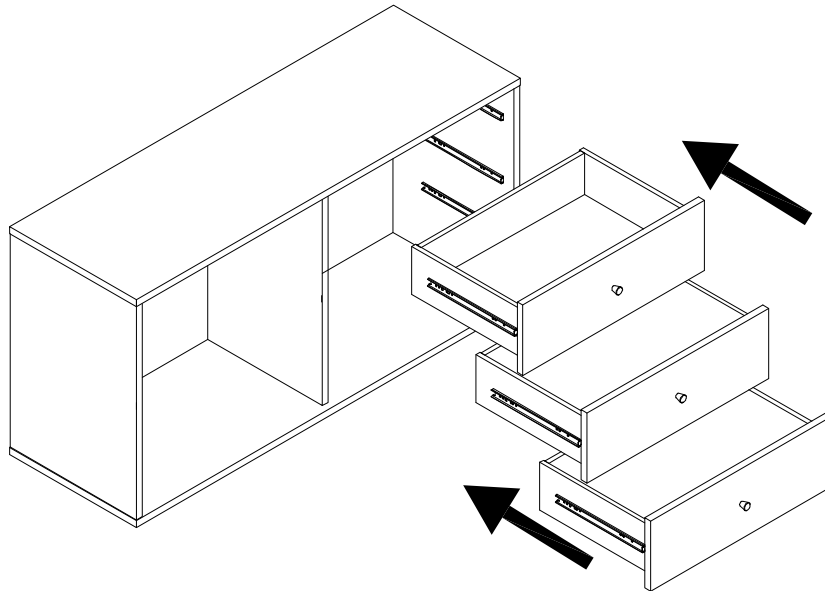
C



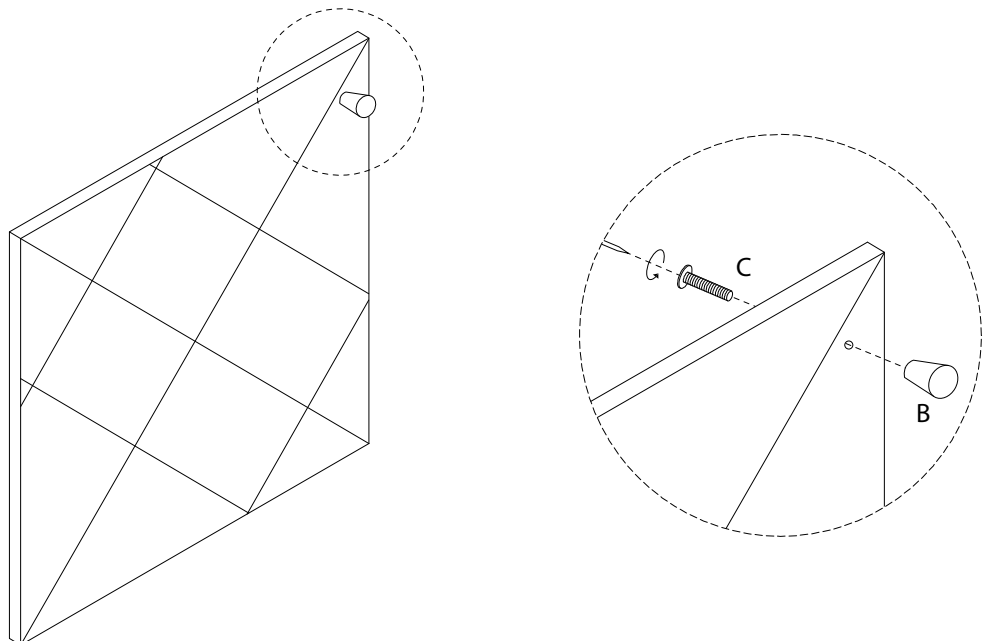
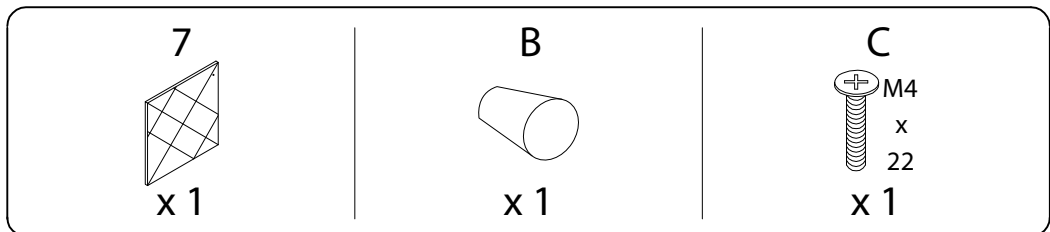
x 1



16



17



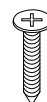
18

A1

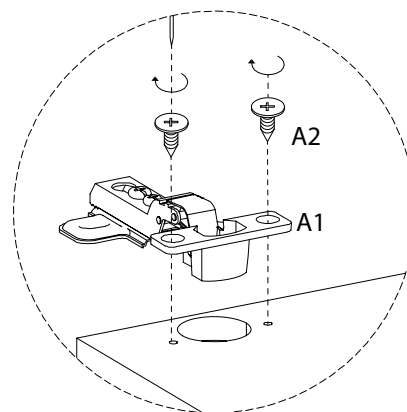
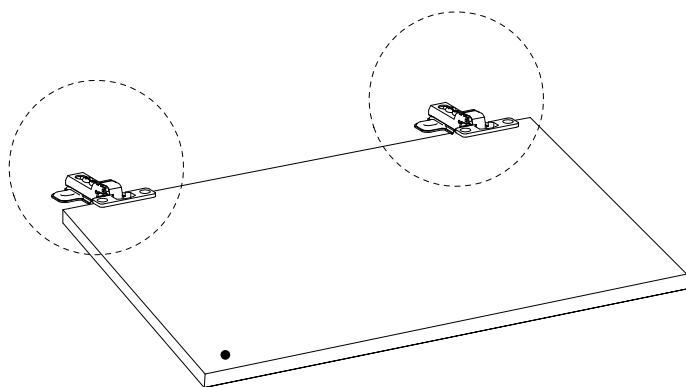


x 2

A2

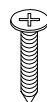


x 4

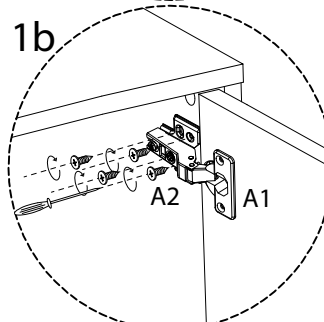
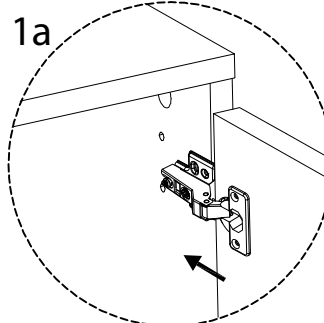
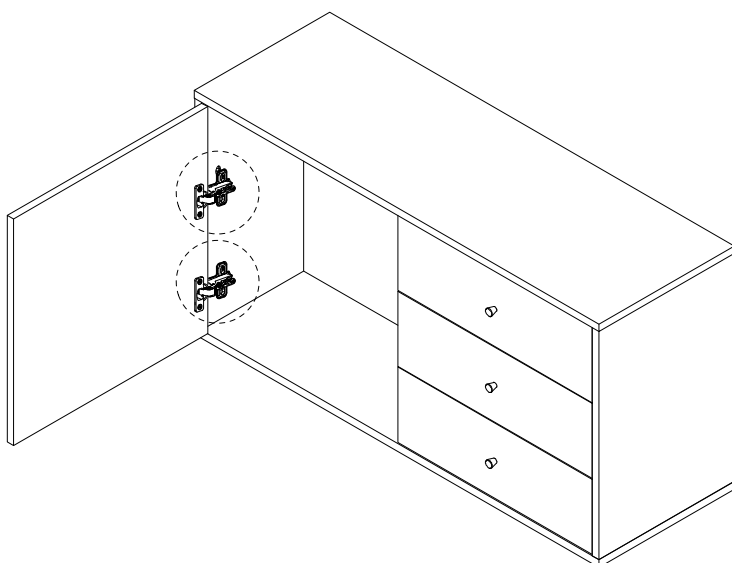


19

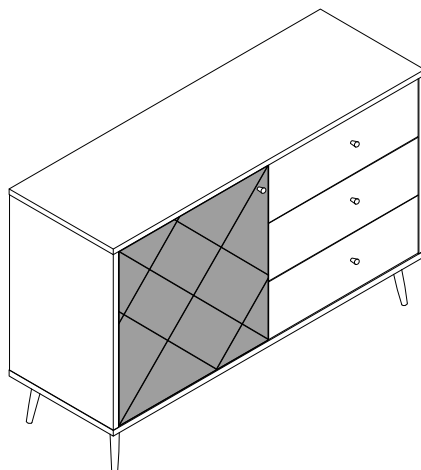
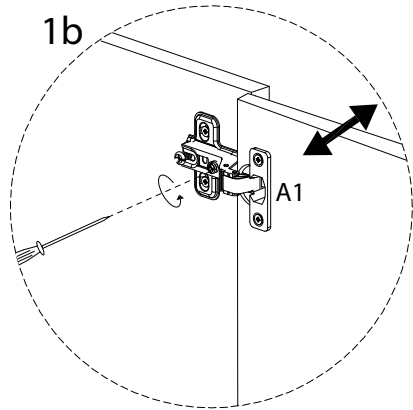
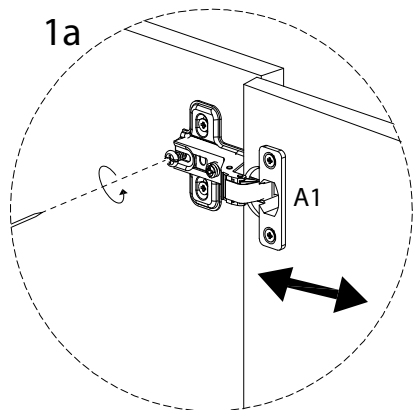
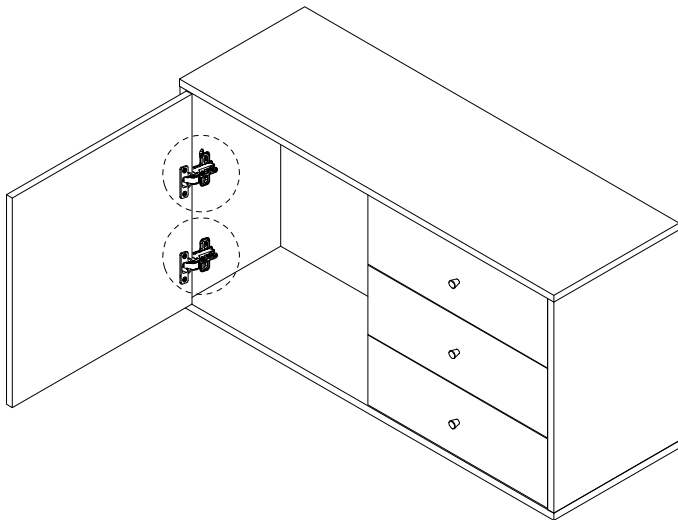
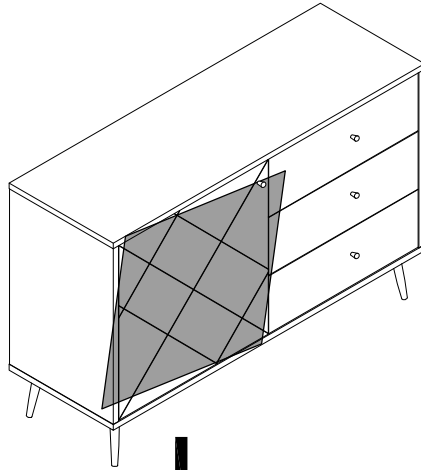
A2



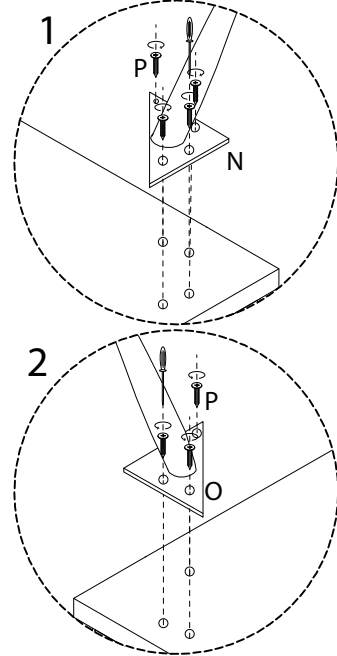
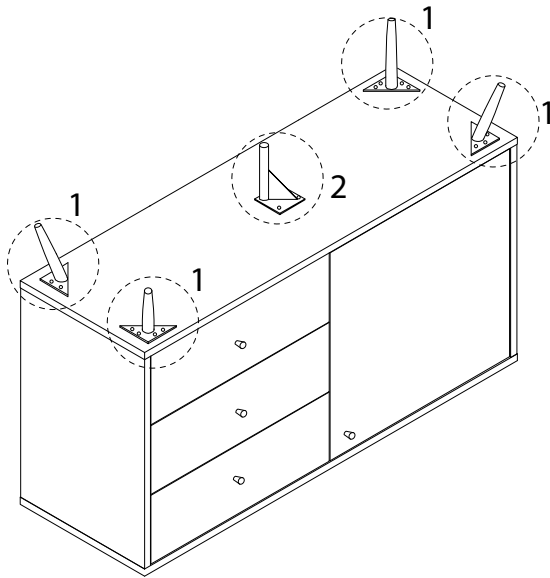
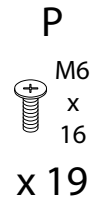
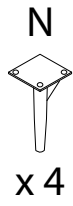
x 8



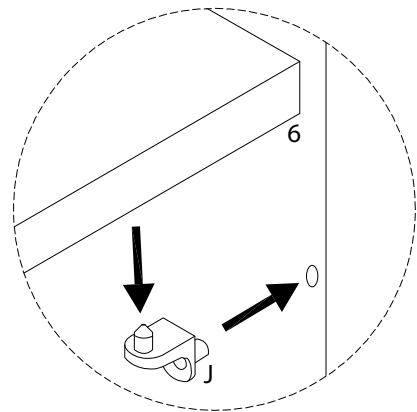
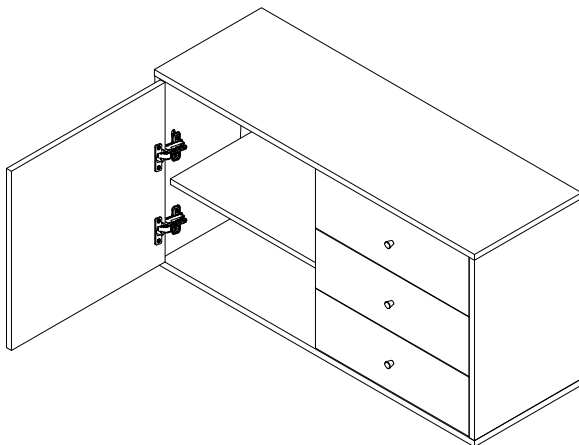
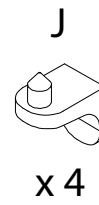
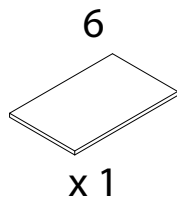
!



20

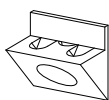


21



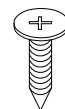
22

K1

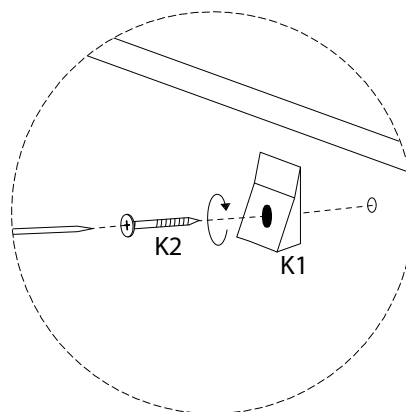
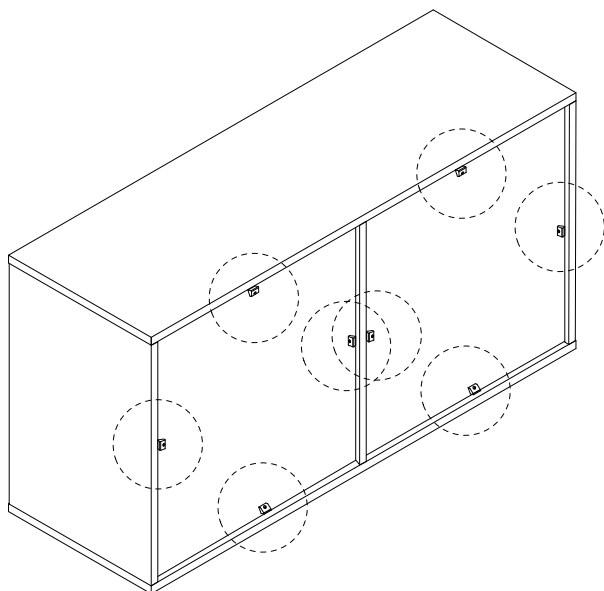


x 8

K2

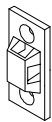


x 8



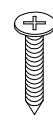
23

L1

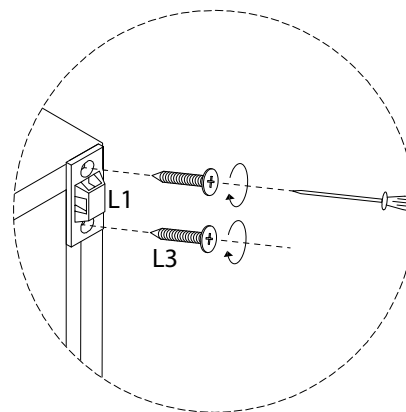
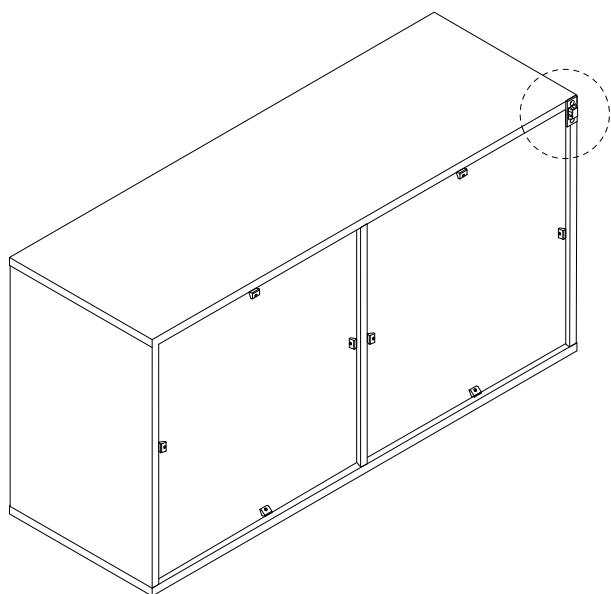


x 1

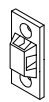

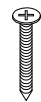

L3



x 2



24

<p>L1</p>  <p>x 1</p>	<p>L2</p>  <p>x 1</p>	<p>L4</p>  <p>x 2</p>	<p>L5</p>  <p>x 2</p>
--	--	--	--

