

CARE AND MAINTENANCE

Always use felt pads under all articles to prevent discoloration or softening of the lacquer.

Plastic and rubber bases on items can discolor wood. Wipe up spills immediately and avoid common hazards such as hot dishes, harsh solvents and abrasives. Cleaning should be done with a soft lint free cotton cloth dampened with water or furniture polish. On highly used surfaces we recommend applying a quality paste wax which should be used on a regular basis to provide additional protection from scratches and spills. How often you apply the wax depends on how much wear the furniture receives.

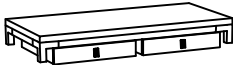




NOTICE

*Please make sure that you have all parts indicated before you begin assembly of this item

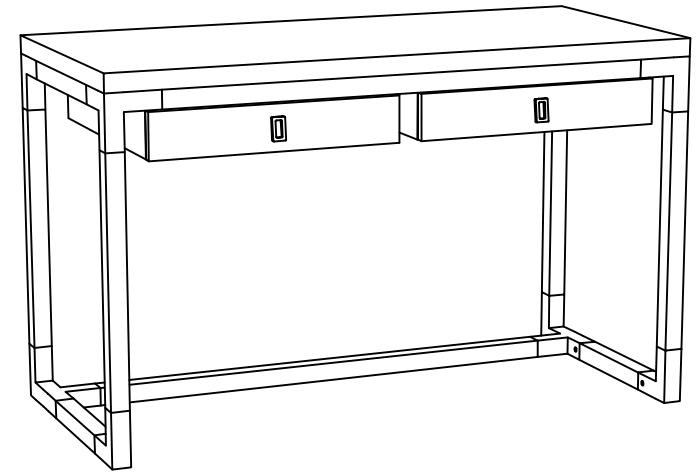
*This item should be assembled on a soft surface to prevent scratching the finish during assembly

*This item may require periodic tightening

Part List

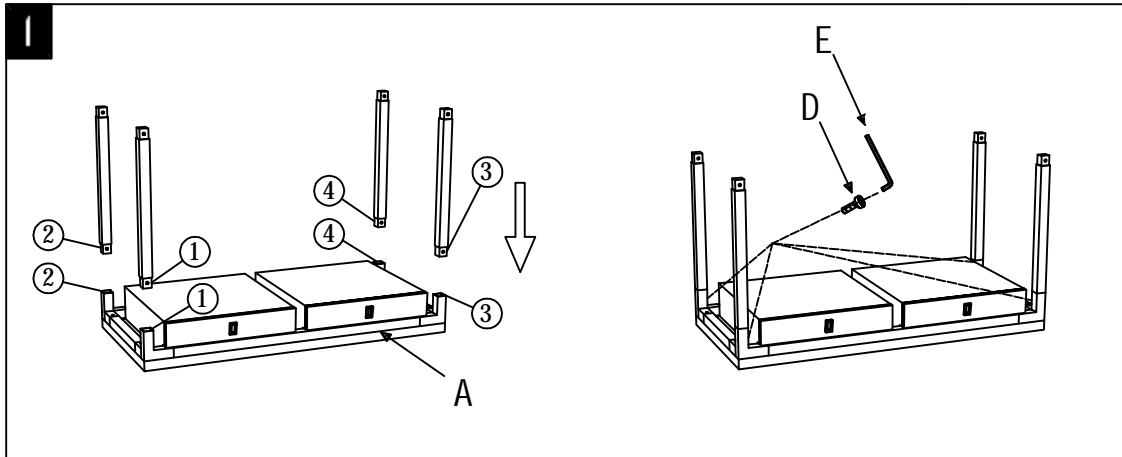
PIECE	DESCRIPTION	PICTURE	QUANTITY
A	DESK TOP		1X
B	BOTTOM FRAME		1X
C	ACRYLIC SUPPORT POLE		4X
D	BOLT		8X
E	ALLEN WRENCH		1X

Product dimensions: 52"W x 24"D x 32"H



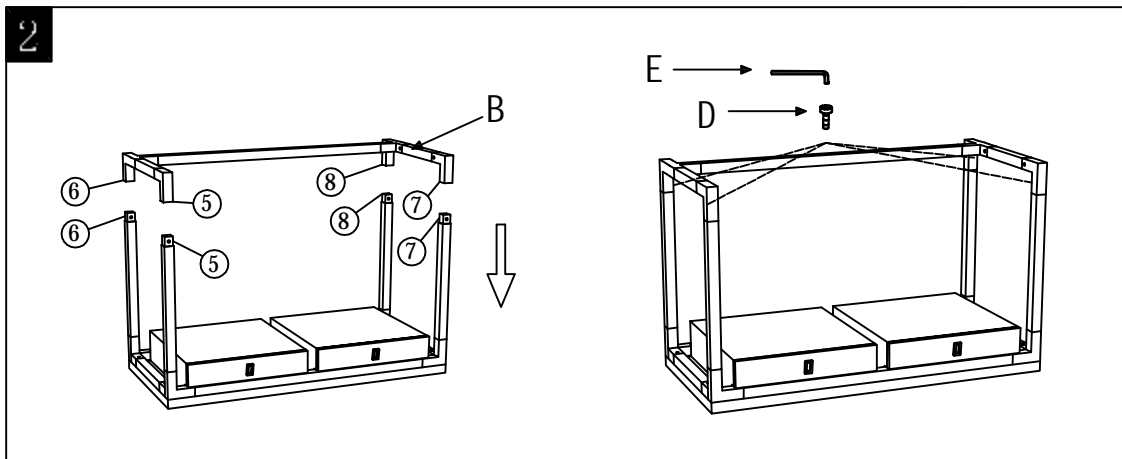
Before beginning assembly of product, make sure all parts are present. Compare parts with package contents list. If any part is missing or damaged, do not attempt to assemble the product.

Estimate Assembly Time:13 minutes



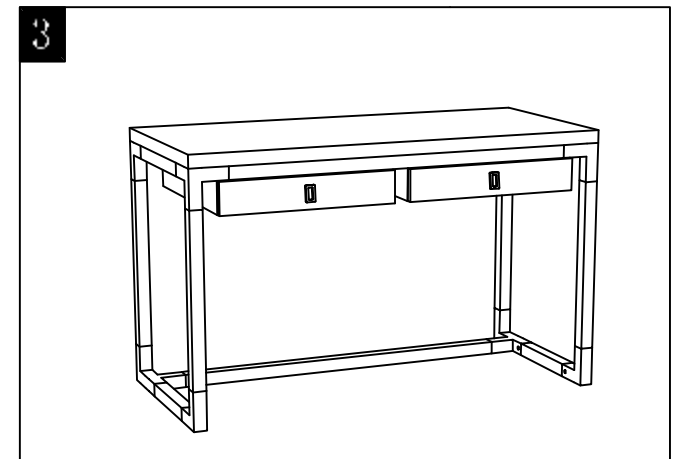
Step 1

Remove all of the components from their boxes and place them on a carpeted or scratch-free surface. Insert the Support Poles (C) into the Desk Top (A) and secure them by Screws (D). Tighten the Screws by Allen Wrench (E).



Step 2

Place the Bottom Frame (B) on top of the Support Pole (C) and secure them with Screws (D). Tighten the Screws by Allen Wrench (E).



Step 3

Upright the assembled Desk. Assembly is completed.