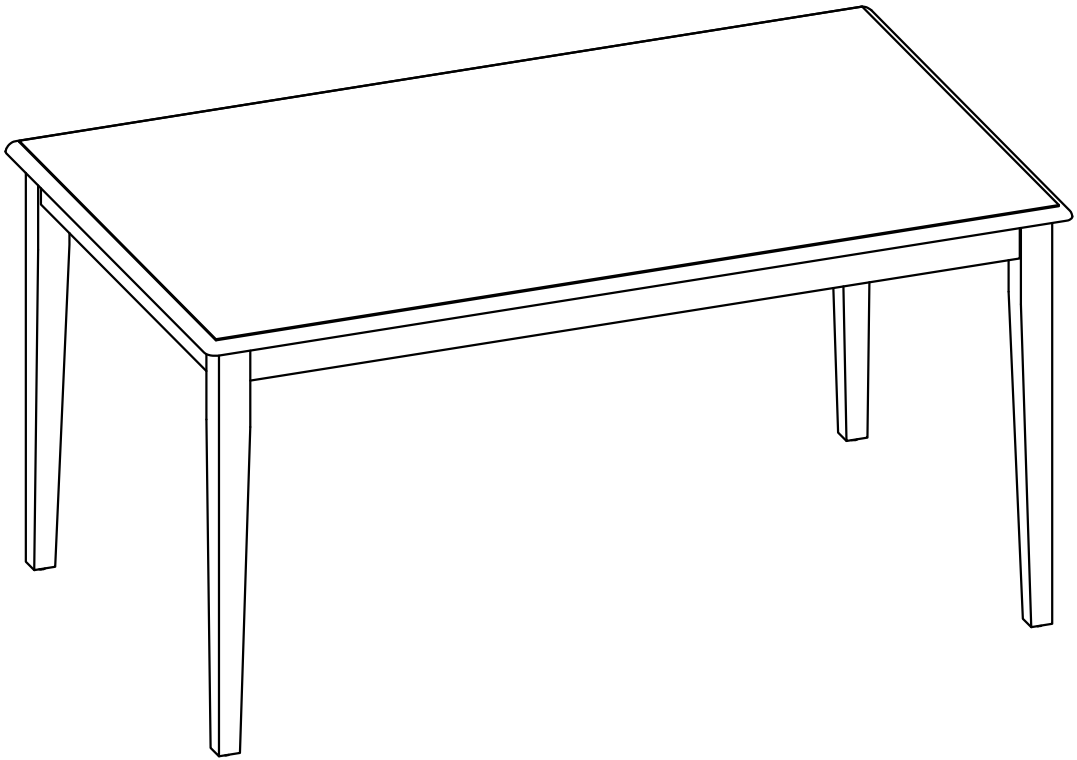


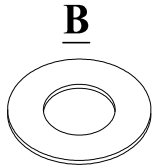
ASSEMBLY INSTRUCTIONS

TABLE

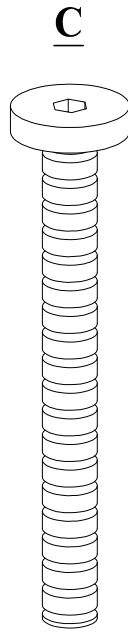




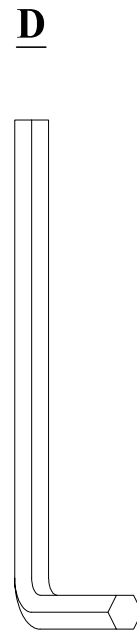
Spring Washer
8 PCS



Flat Washer
8 PCS

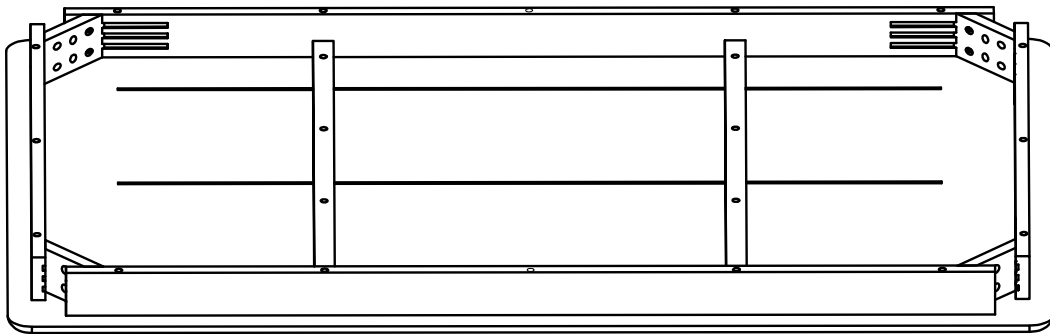


M8*70
8 PCS

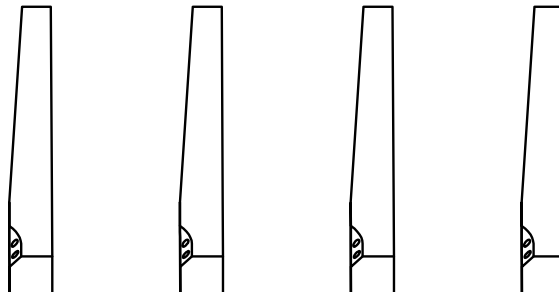


Allen Wrench
1 PC

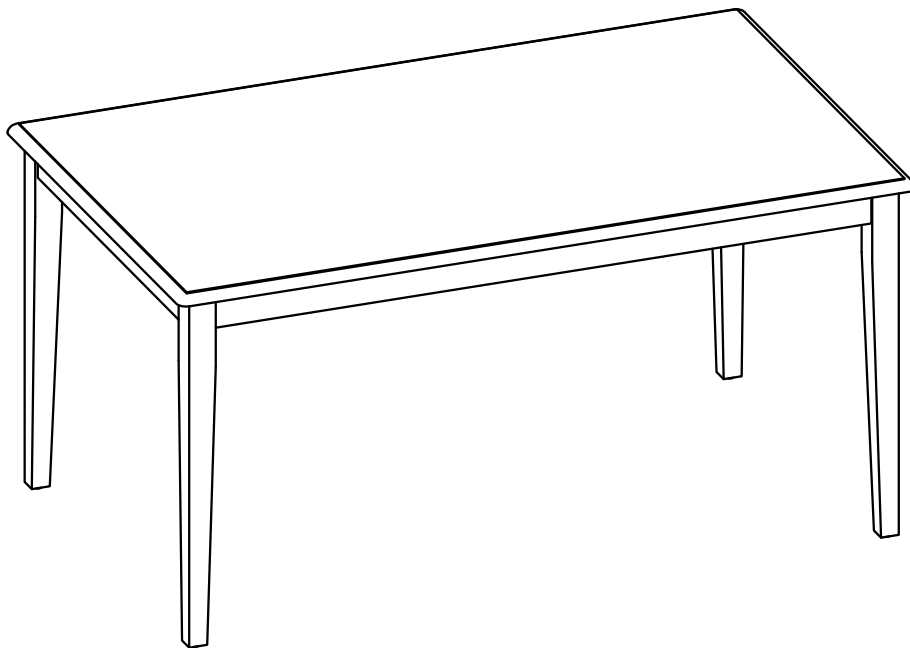
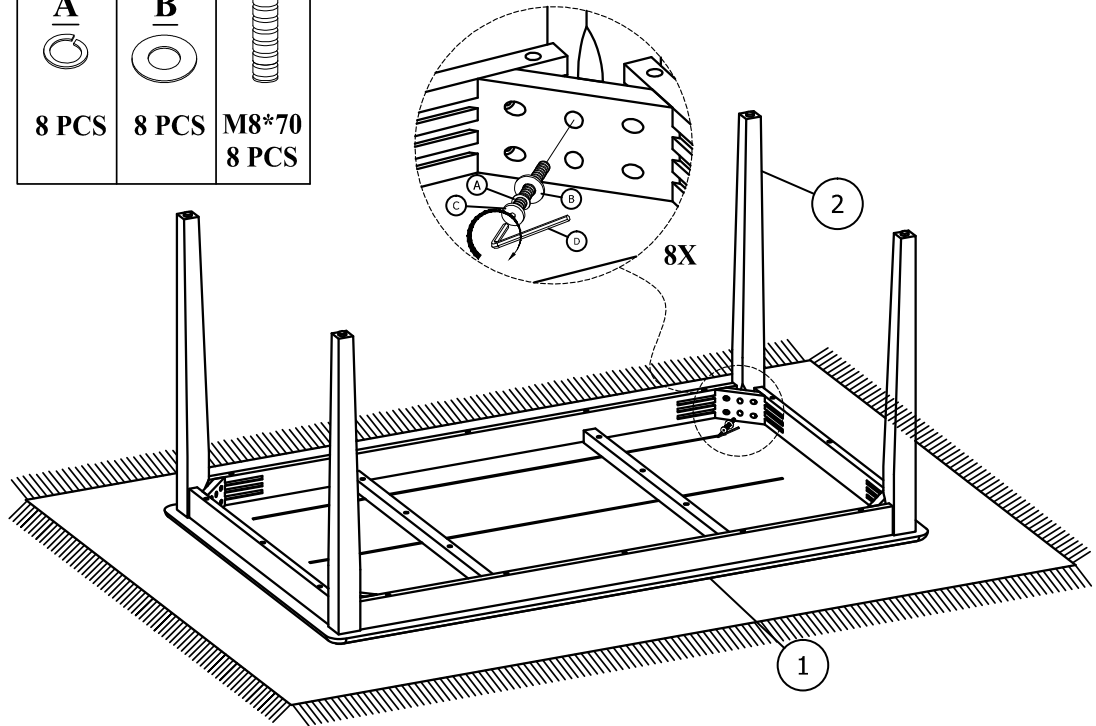
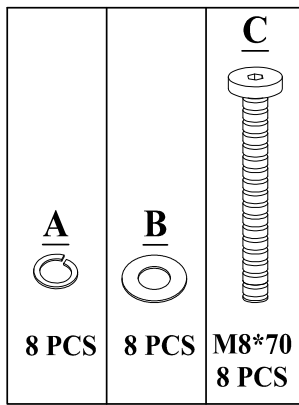
①



②



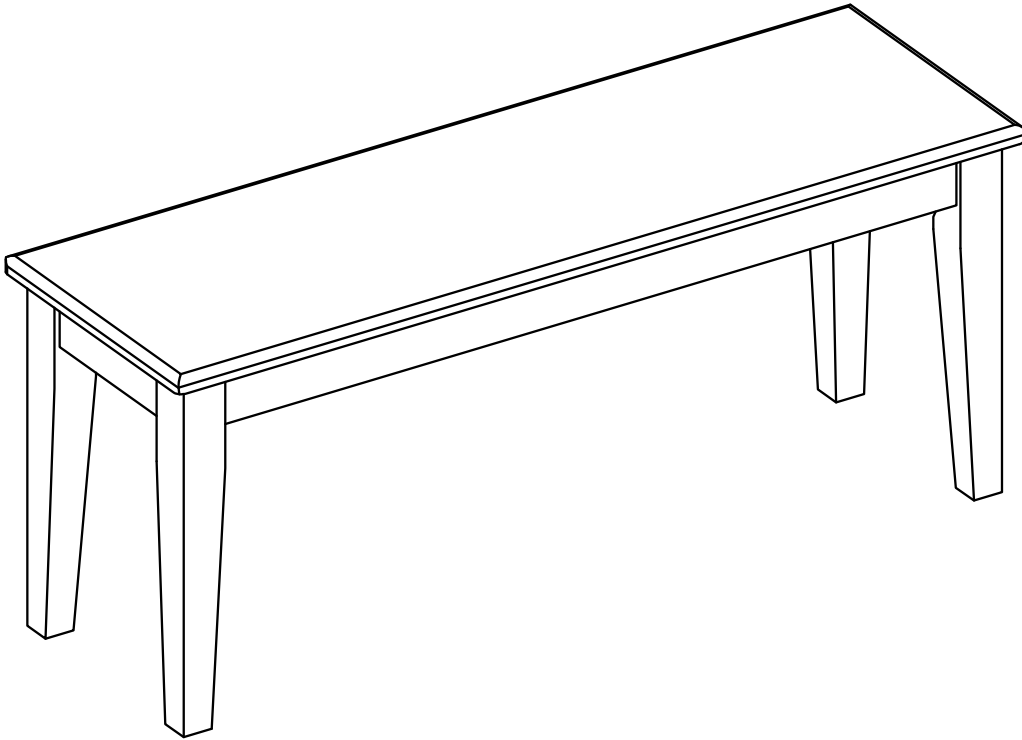
01

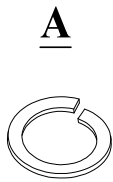


BE SURE TO CHECK ALL BOLTS ARE SECURELY TIGHTENED PRIOR USING THIS TABLE

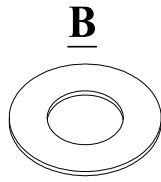
ASSEMBLY INSTRUCTIONS

BENCH

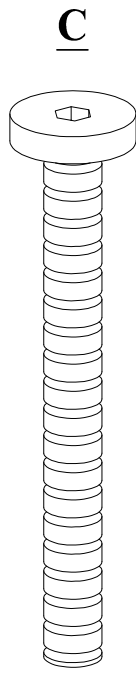




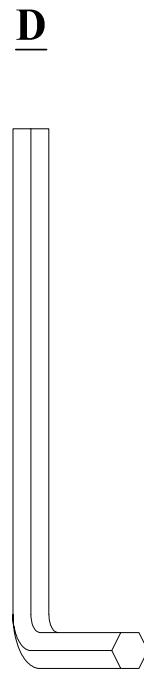
Spring Washer
8 PCS



Flat Washer
8 PCS

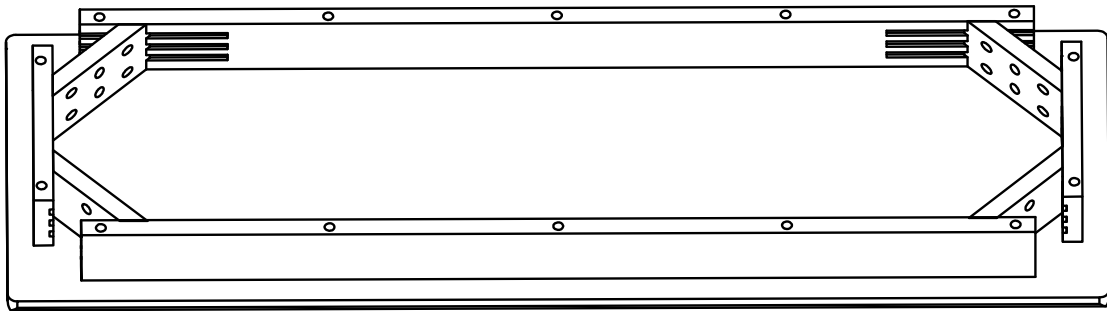


M8*70
8 PCS

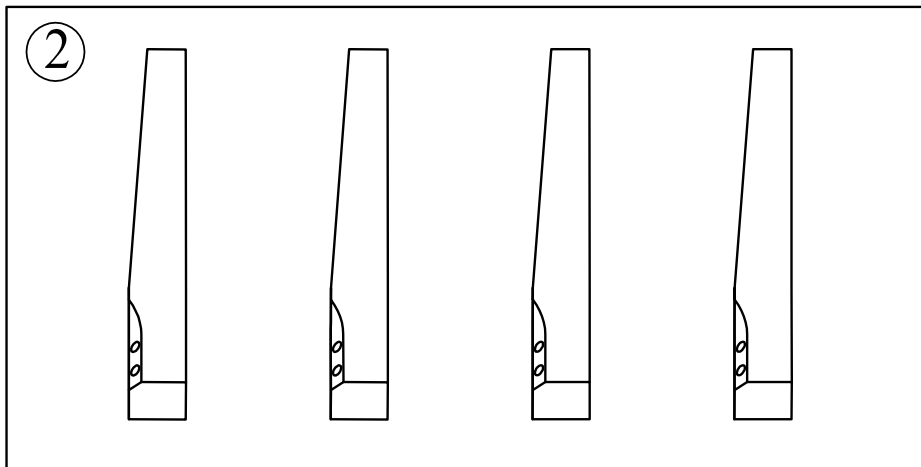


Allen Wrench
1 PC



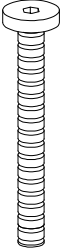
①

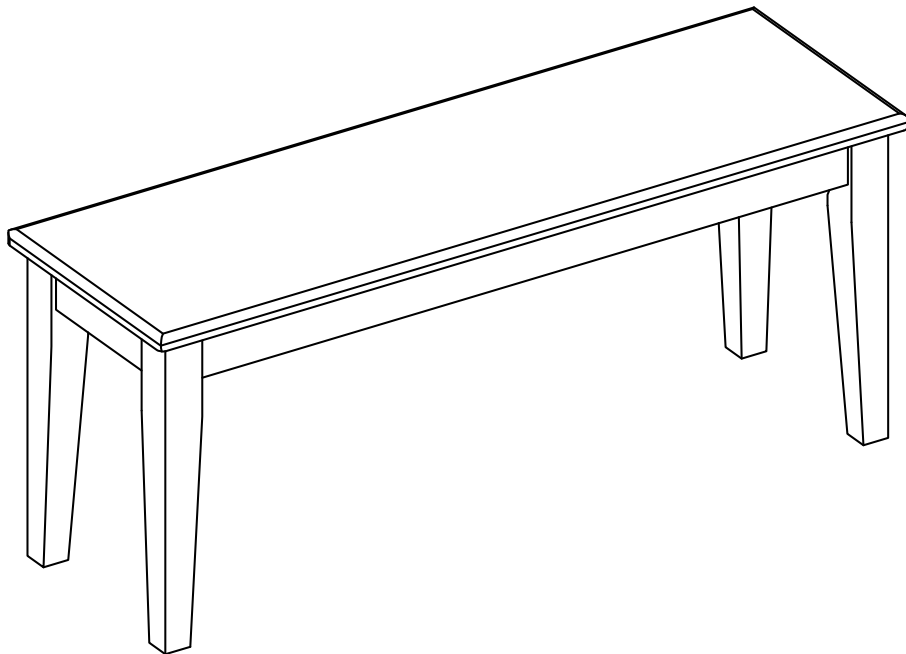
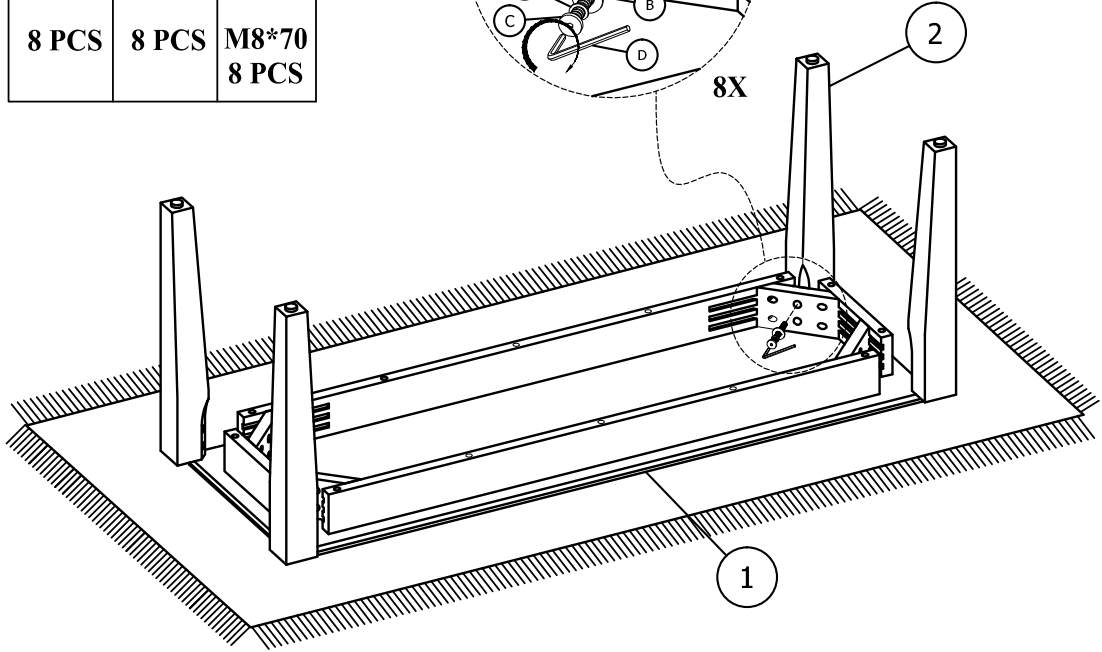
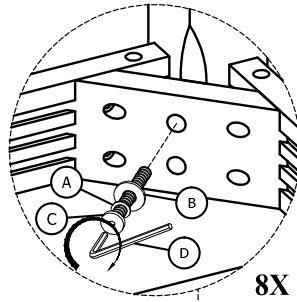


②



01

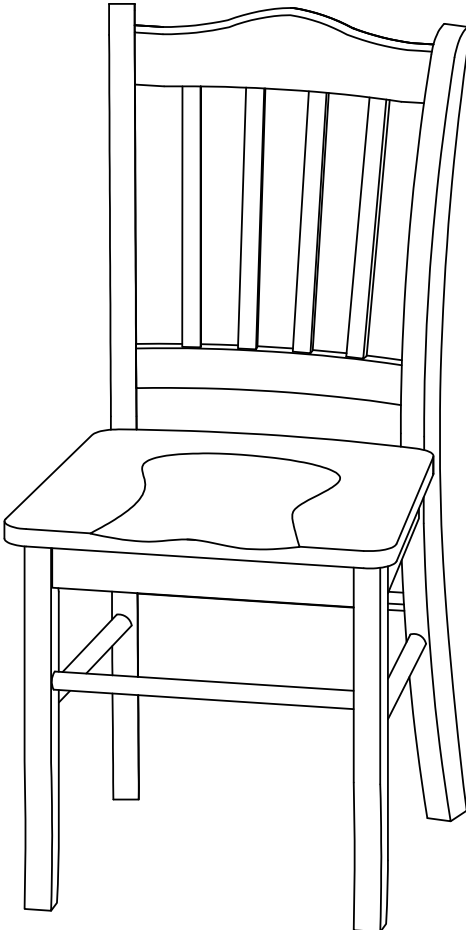
| | | |
|---|---|---|
| A  | B  | C  |
| 8 PCS | 8 PCS | M8*70 8 PCS |



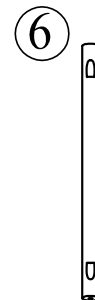
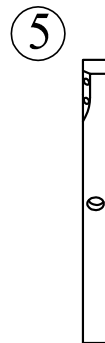
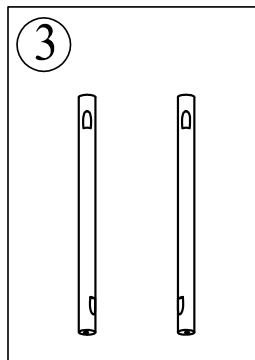
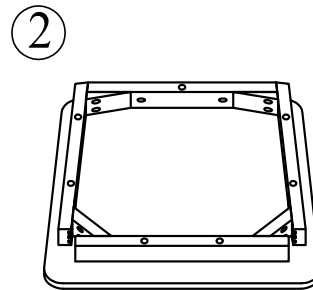
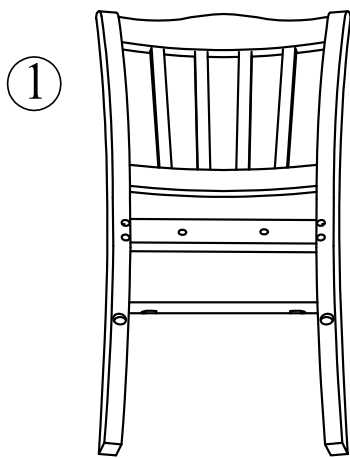
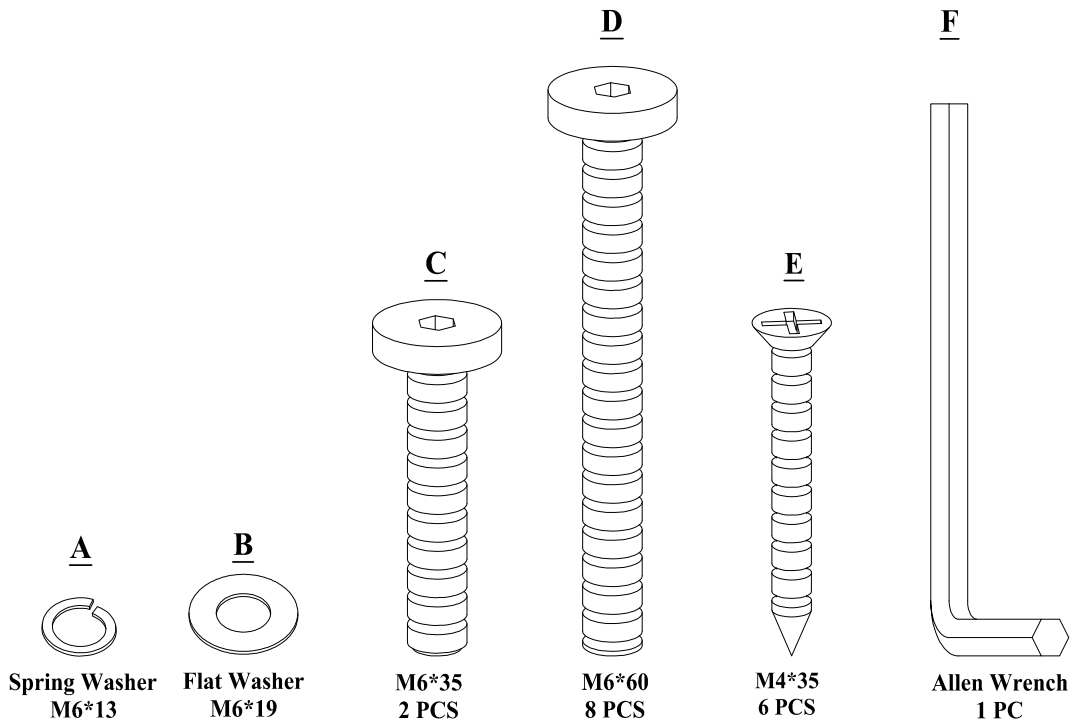
BE SURE TO CHECK ALL BOLTS ARE SECURELY TIGHTENED PRIOR USING THIS BENCH

ASSEMBLY INSTRUCTIONS



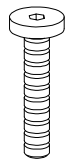
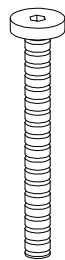
DINING CHAIR

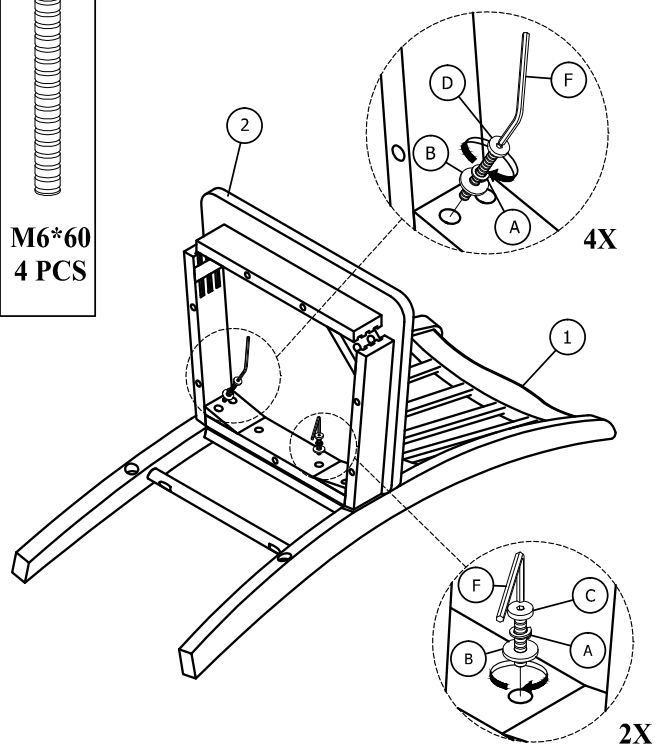


Phillips
Screwdriver
(Not provided)




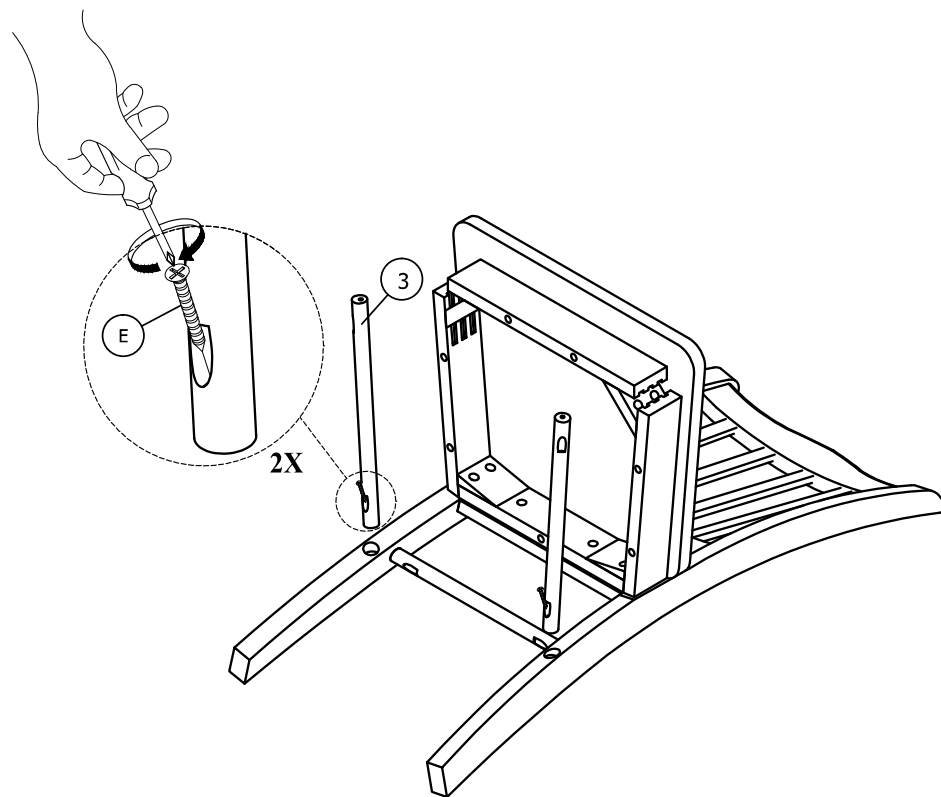
01

| | | | |
|--|--|---|---|
| A  6 PCS | B  6 PCS | C  M6*35 2 PCS | D  M6*60 4 PCS |
|--|--|---|---|



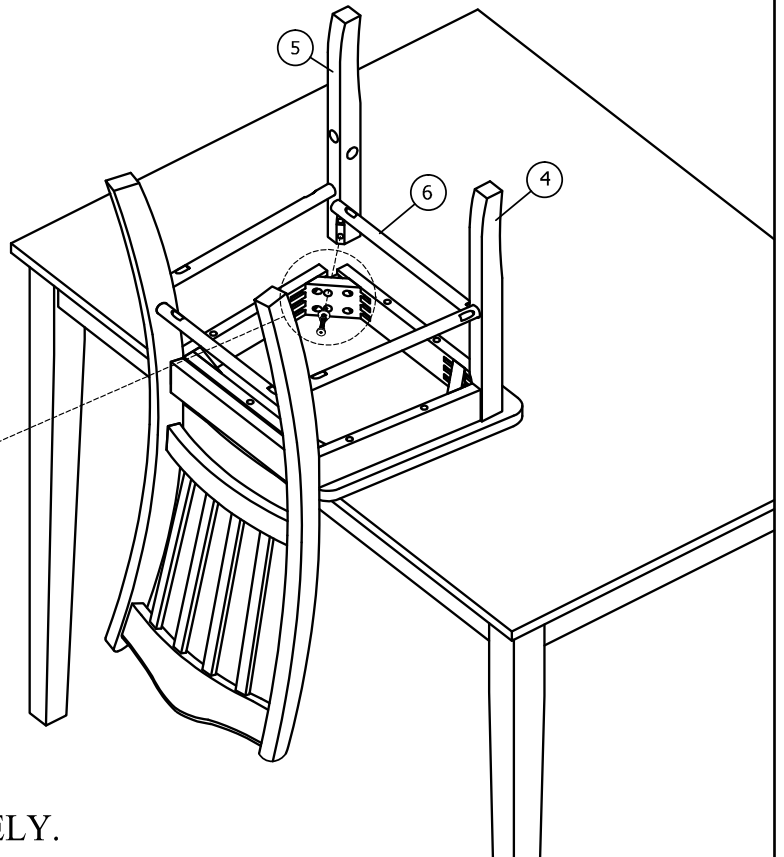
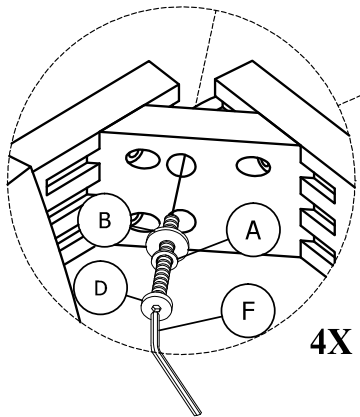
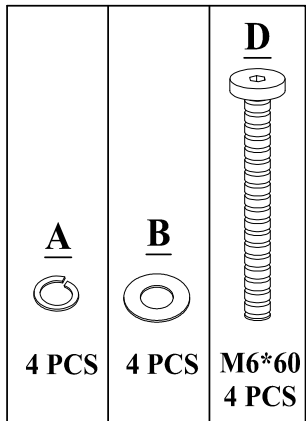
02

| |
|---|
| E  M4*35 2 PCS |
|---|



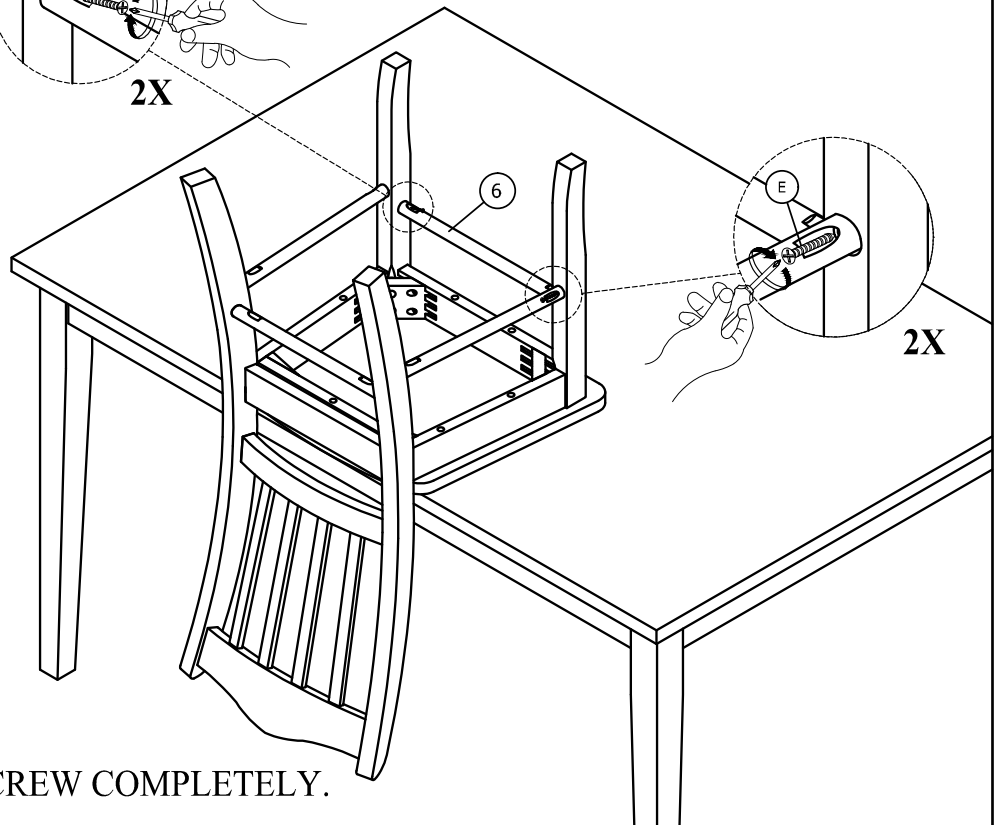
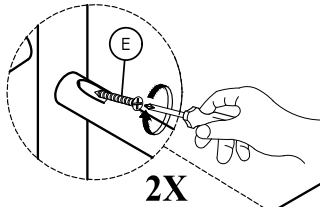
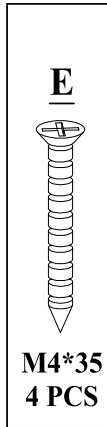
DO NOT TIGHTEN SCREW COMPLETELY.

03

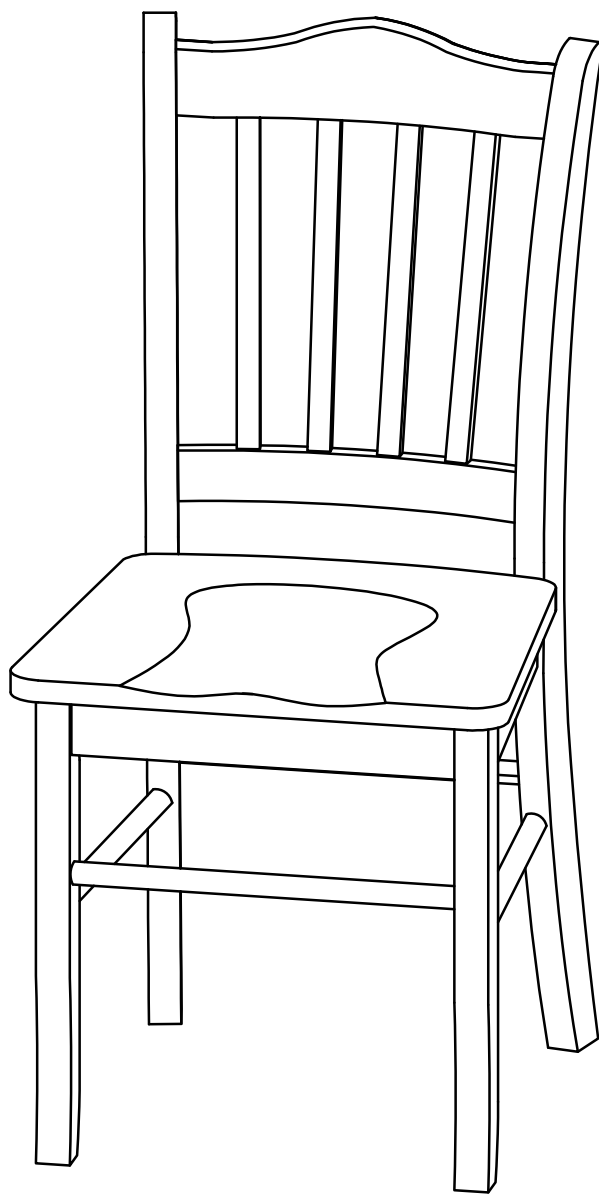


DO NOT TIGHTEN BOLT COMPLETELY.

04



TIGHTEN BOLT AND SCREW COMPLETELY.



BE SURE TO CHECK ALL BOLTS ARE SECURELY TIGHTENED PRIOR USING THIS CHAIR