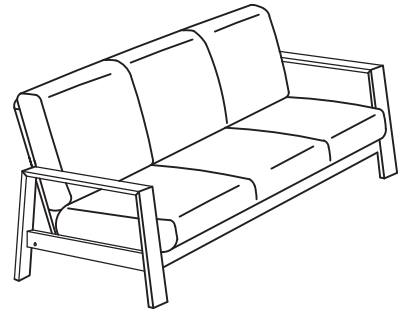


Sofa Assembly Instructions

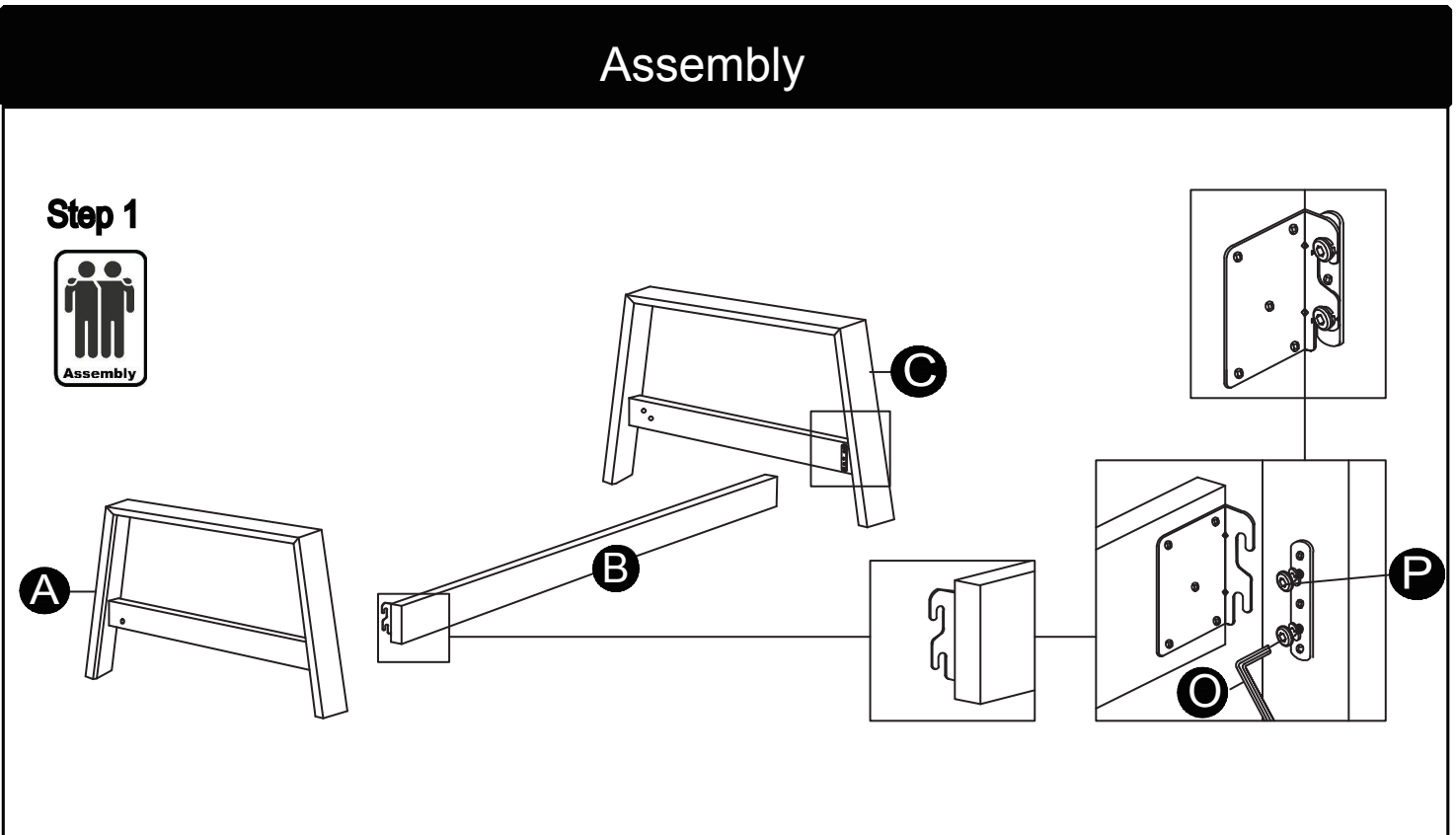
Your sofa comes packaged in one box.

DO NOT use any sharp objects to open plastic wrapped components as damage to product or components may result.

Carefully remove all of the components from the packaging and set aside for assembly. Assemble on a soft surface to prevent scratching the finish.

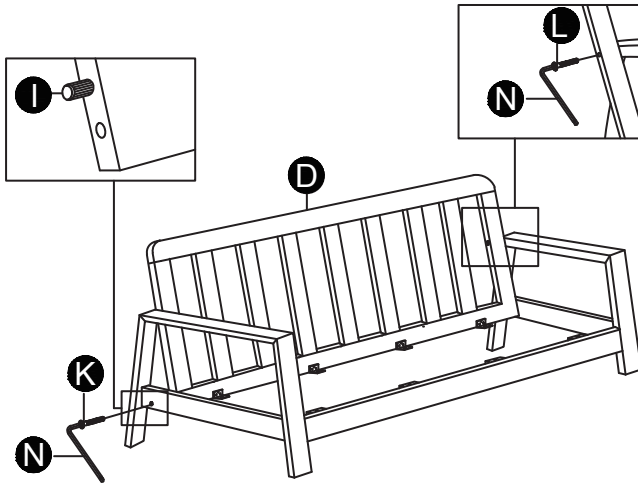


Parts List		Hardware List	
A 1 x Left Arm		F 3 x Seat Cushions	
B 1 x Front Rail		G 3 x Back Cushions	
C 1 x Right Arm		* H 2 x Middle Legs	
D 1 x Back Frame		Hardware List	
E 1 x Seat Frame		* I 2 x Wood Dowels	M8 x 30mm
		* J 2 x Wood Buttons	
		* K 2 x Short Bolts	M6 x 50mm
		* L 2 x Long Bolts	M6 x 70mm
		* M 8 x Screws	M4 x 25mm
		* N 1 x Long Hex Key	M4 x 100mm
		* O 1 x Short Hex Key	M5 x 70mm
		* P 4 x Bolts (pre-installed)	M8 x 18mm
		Not included 1 x Philips Screwdriver or Power Screwdriver (low torque)	
		* Replaceable Parts	

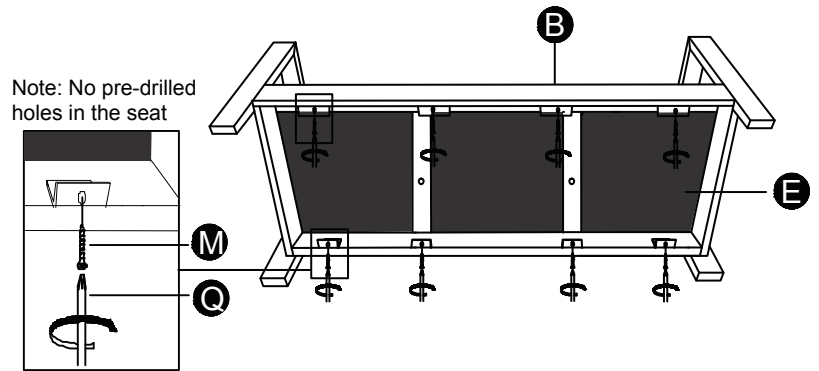


Assembly

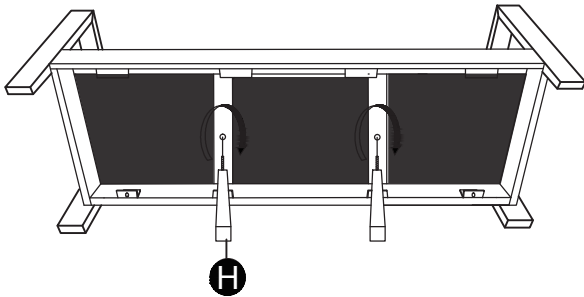
Step 2



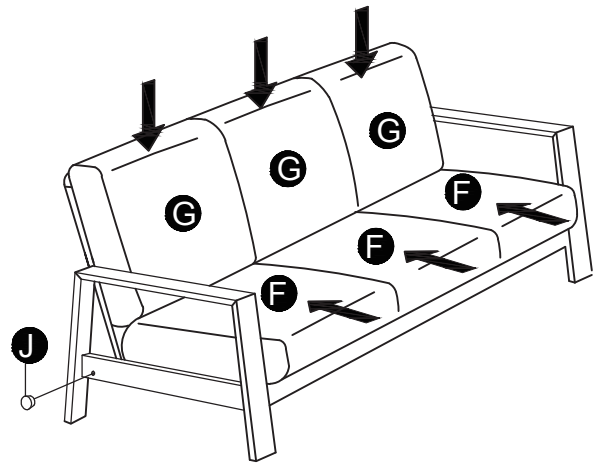
Step 3



Step 4



Step 5



Your style may differ from images. Care for your furniture by periodically tightening all bolts using the included hex key.

About your furniture piece:

- Softening of foam is natural and will happen over time with use.
- Fabric will fade or discolor in direct sunlight. Minimize exposure to direct sunlight to extend the life of your furniture.
- Wood grain, knots, streaks, and color variation occur naturally in wood and are not considered defects.

CAUTION: Tighten all components securely before use. Failure to do so may result in personal injury.

Customer Support: 866-238-0531
Mon-Fri 8:00am - 4:30pm CST
customerservice@furniturequestions.com