

ASSEMBLY INSTRUCTIONS

Do not fully tighten bolts & screws until the entire item is completely assembled.
Two People required for assembly.

Hardware



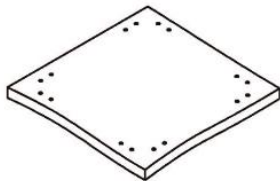
A
16X

Tool Required / Outils requis

Power tool not recommended



Components

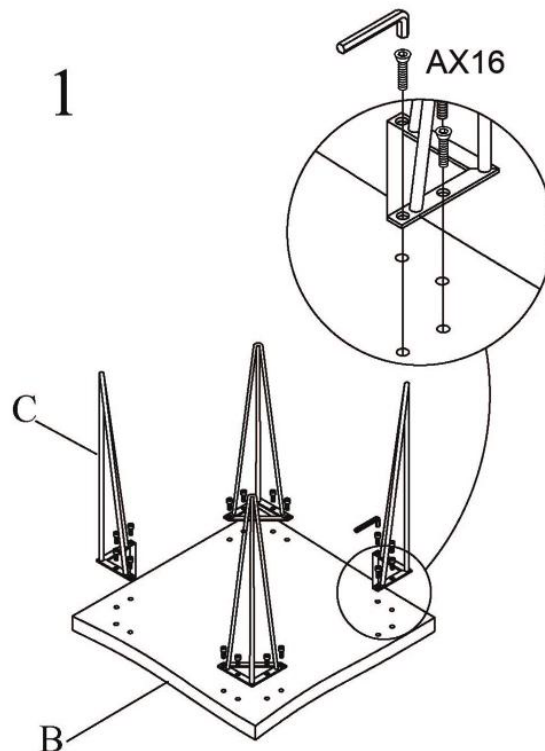


B
1X



C
4X

Assembly Instructions



For user safety periodically verify tighten all fittings