

24" C-SERIES REFRIGERATOR

HC24RB-3 24" INDOOR MODEL
HC24RO-3 24" OUTDOOR MODEL



Glass Door Model (Indoor)



Solid Door Model (Outdoor)



Drawer Model (Indoor)

GENERAL C-SERIES FEATURES



- **Industry Exclusive** front-vented RAPIDcool forced-air refrigeration system provides best-in-class cooling performance
- Commercial-grade stainless steel interior. Indoor models have black vinyl clad exterior; outdoor models have stainless steel exterior
- All models available with stainless steel or panel ready door. Panel ready doors come ready to accept customer-supplied overlay and handle
- Drawer models feature self-closing slides
- Zero-clearance hinging allows for abutment with surrounding cabinetry
- **Industry Exclusive** full extension refrigerator shelves provide easy access for stocking and retrieving product. Shelves glide smoothly in and out of cabinet on stainless steel ball bearing glides
- Interior lighting and digital control
- Low E, double pane UV-resistant glass provides exceptional insulation and protection from light
- Comprehensive Full Three Year Warranty plus additional three years on sealed system

HC24RB/RO FEATURES

- Available with stainless steel solid door, panel ready solid door, stainless steel glass door, panel ready glass door, stainless steel drawers or panel ready drawers
- Outdoor models available with solid stainless steel door, solid wood overlay door, stainless steel drawers or wood overlay drawers
- Door models include two (2) full-extension pull-out shelves
- Refrigerator rated for both food and beverage storage
- Storage for 144 cans
- Refrigerator temperature 33° - 42°F

ACCESSORIES

(L)	Factory Installed Lock
66736	Caster Kit for HP24/HC24/HA24 models
RS-24-24D	Divider Shelf for HP24/HC24/HA24 models

Perlick accessories are available for purchase through an authorized Perlick dealer. For a full list of accessories and to find a dealer near you, visit perlick.com/residential

PRODUCT SPECIFICATIONS

Product Width	23-7/8" (606 mm.)
Product Height	34-1/4" (870 mm.)
Product Depth	24" (610 mm.)
Opening Width	24" (610 mm.)
Opening Height	34-1/2" (876 mm.)
Opening Depth**	24-7/8" (632 mm.)
Refrigerated Volume	5.2 cu. ft.
Door Swing Clearance	25" (635 mm.) minimum
Electrical	115V, 60Hz., 1 Phase, 2.3 amps
Compressor	525 BTU, standard
Plumbing	None Required
Annual Energy Usage	274 kWh (solid door) 305 kWh (glass door and drawers)
Shipping Weight	183 lbs (83.01 kg.)

** Includes 7/8" plug clearance. To achieve 24" depth, you must recess the plug into the wall directly behind the unit.

INDOOR MODELS

HC24RB-3-1L*	Stainless steel solid door, hinge left
HC24RB-3-2L*†	Panel ready solid door, hinge left
HC24RB-3-3L*	Stainless steel glass door, hinge left
HC24RB-3-4L*†	Panel ready glass door, hinge left
HC24RB-3-5	Stainless steel drawers
HC24RB-3-6†	Panel ready drawers

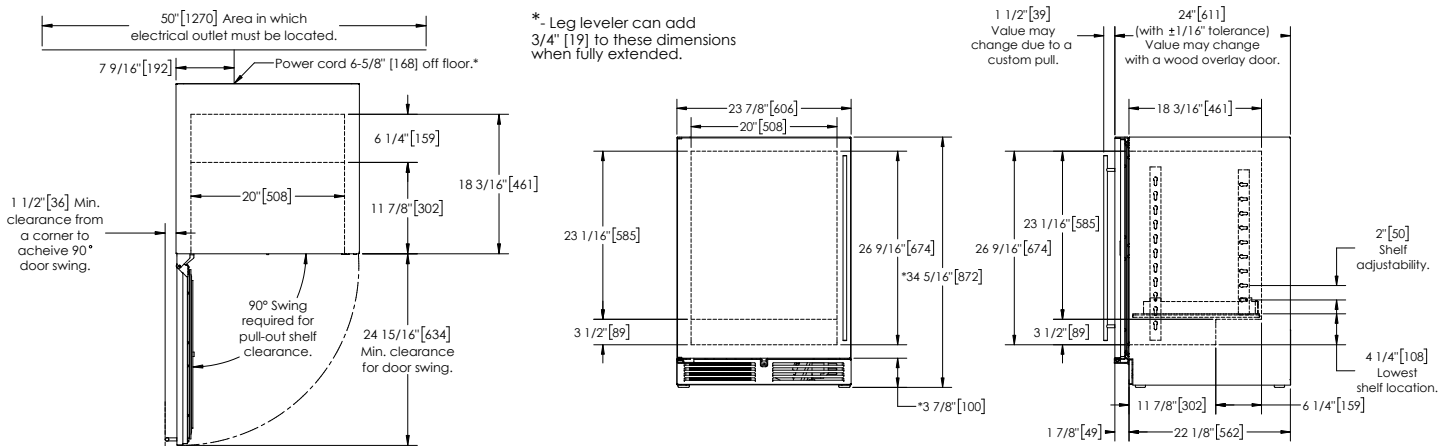
OUTDOOR MODELS

HC24RO-3-1L*	Solid stainless steel door, hinge left
HC24RO-3-2L*†	Solid wood overlay door, hinge left
HC24RO-3-5	Stainless steel drawers
HC24RO-3-6†	Wood overlay drawers

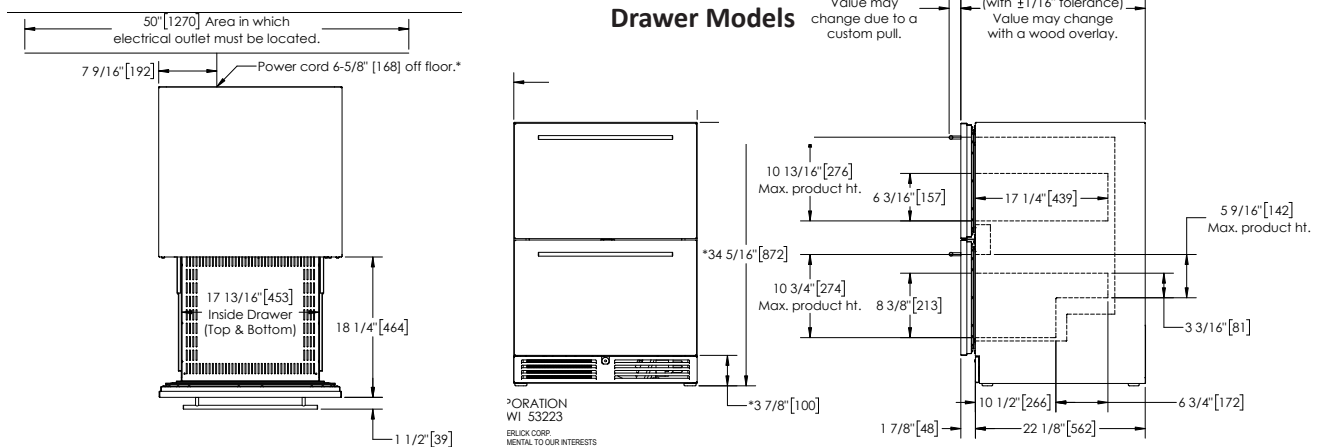
* Also available hinge right (R)

† This unit comes ready to accept customer-provided overlay panel and handle

Door Models



Drawer Models



California Prop 65 Notice:

WARNING: The materials used in this product may contain chemicals known to the State of California to cause cancer and birth defects or other reproductive harm. For more information go to www.P65Warnings.ca.gov.

FORM NO. Z2527
REV. B-11/20/2019