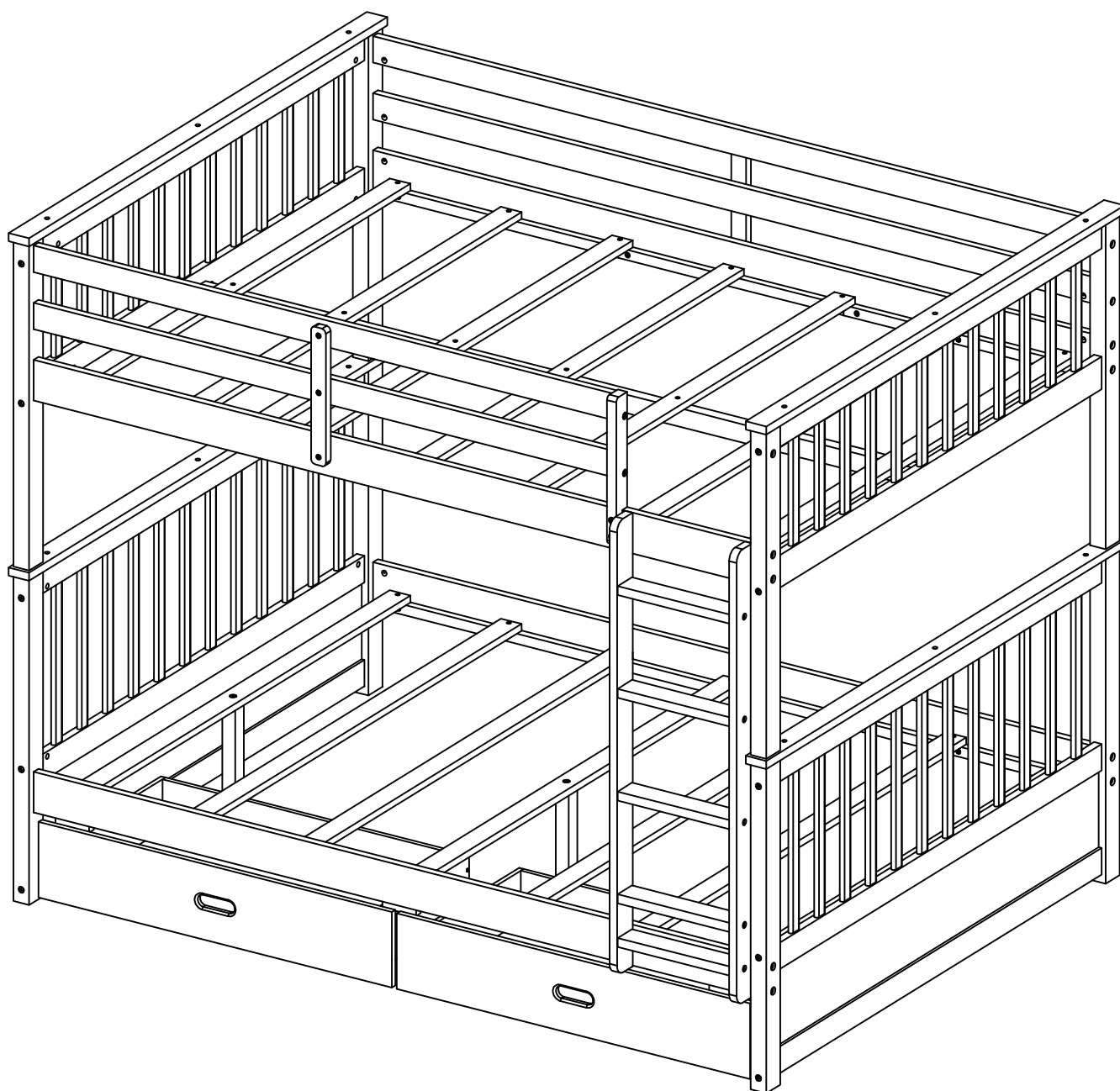


ASSEMBLY INSTRUCTIONS

FULL OVER FULL BUNKBED



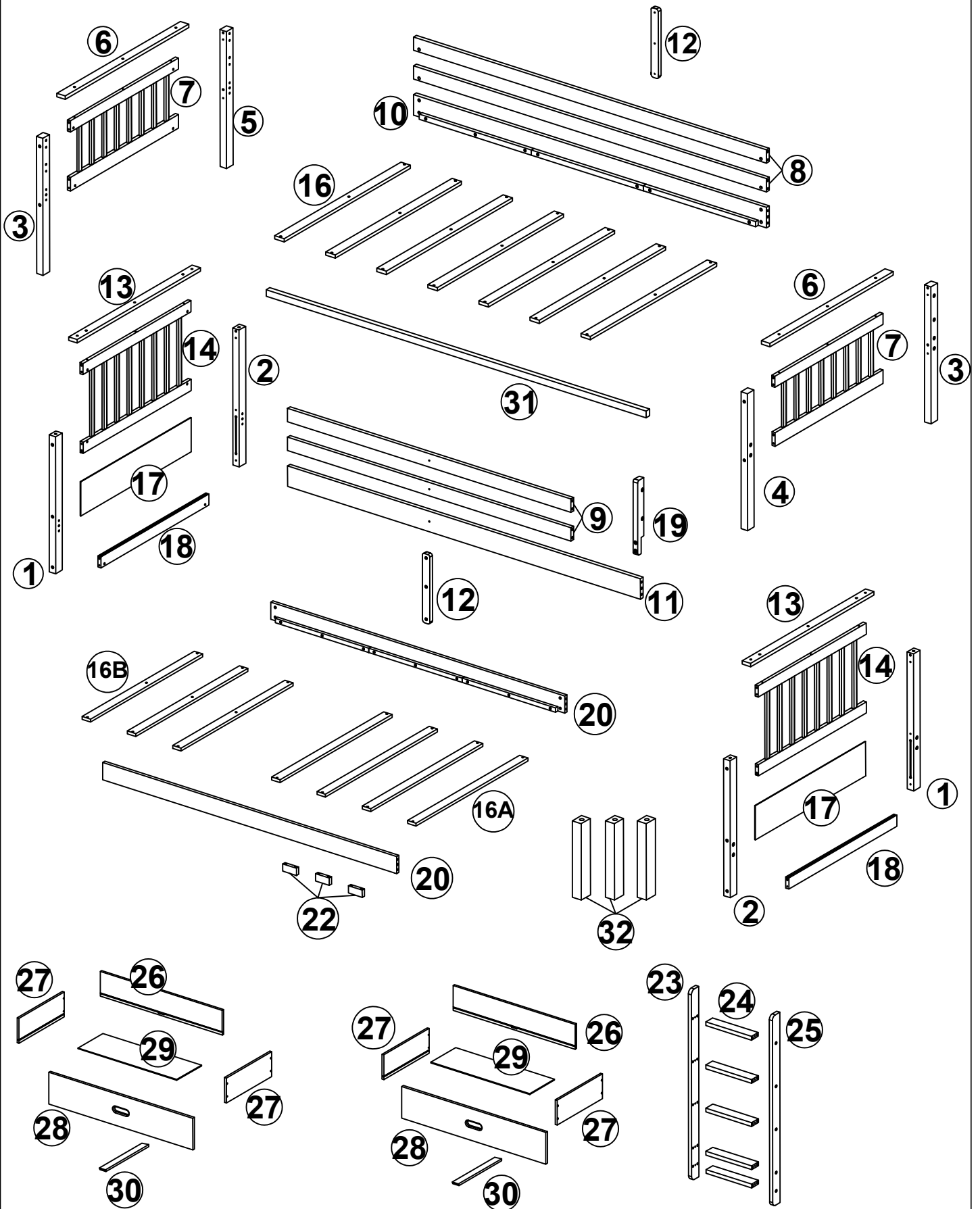
! SAFETY WARNINGS !

1. This bed is designed for use only mattress(es) meeting the following specifications on the upper bunk, and lower bunk:

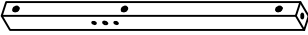
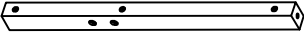
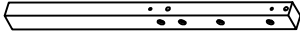
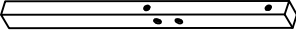
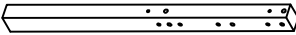
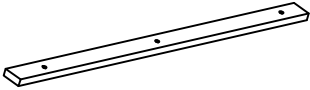
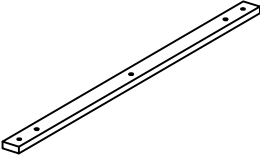
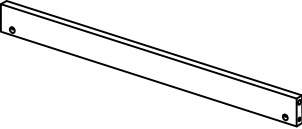
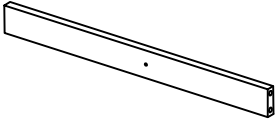
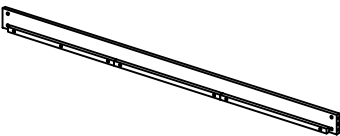
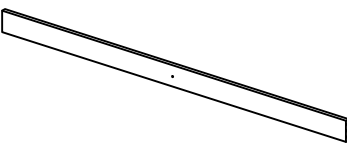


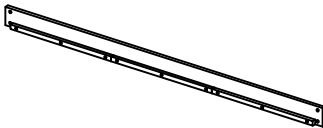
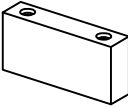
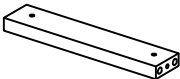
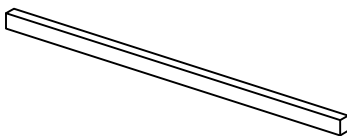
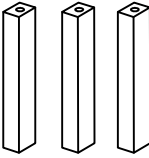
Bed type	Length	Width	Thickness
Twin Standard	74" - 75"	38 1/2"	6"
Full Standard	74" - 75"	53 1/2"	6"

2. Replacement parts, including additional guardrails, may be obtained from any of our dealers.
3. Follow the information on the warnings appearing on the upper bunk bed end structure and on the carton. Do not remove warning label from bed.
4. Always use the recommended size mattresses or mattress supports, or both, to help prevent the likelihood of entrapment or falls.
5. Surface of the mattress must be at least 5 in. (127 mm) below the upper edge of guardrails.
6. Do not allow children under 6 years of age to use the upper bunk.
7. Periodically check and ensure that the guardrail, ladder, and other components are in their proper position, free from damage, and that all connectors are tight.
8. Do not allow horseplay on or under the bed and prohibit jumping on the bed
9. Always use the ladder for entering and leaving the upper bunk.
10. Do not use substitute parts. Contact the manufacturer or dealer for replacement parts.
11. Use of a night light may provided added safety precaution for a child using the upper bunk.
12. Always use guardrails on both long sides of the upper bunk. If the bunk bed will be placed next to the wall, the guardrail that runs the full length of the bed should be placed against the wall to prevent entrapment between the bed and wall.
13. The use of water or sleep flotation mattresses is prohibited.
14. **STRANGULATION HAZARD** – Never attach or hang items to any part of the bunk bed that are not designed for use with the bed; for axample, but not limited, hook, belts and jump ropes.
15. Keep these instructions for future reference
16. Prohidit more than one person on upper bunk .
17. We recommend assembling your bunk bed on the shipping carton to protect your floor or carpet .
18. Be caertain all staples are out of the box before beginning assembly on the shipping carton .

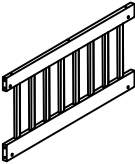
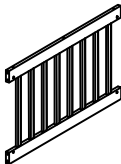
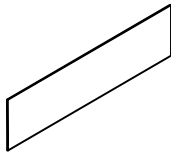
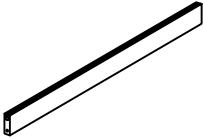
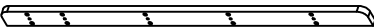
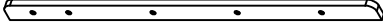
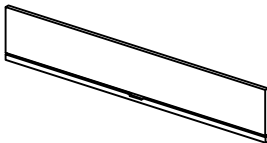
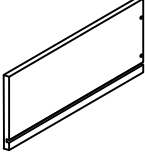
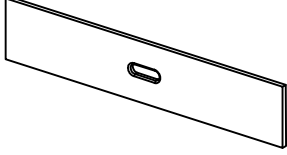
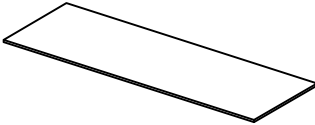
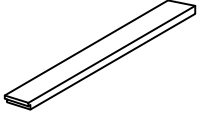
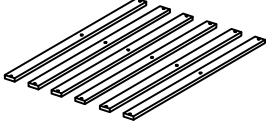
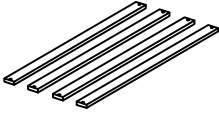
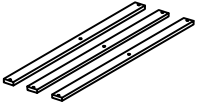
Detail View



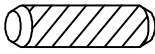

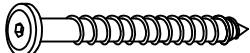




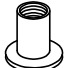


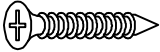
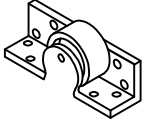
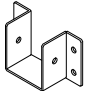
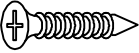
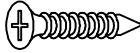
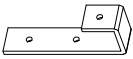
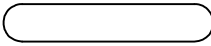
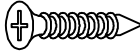
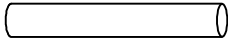
Part List

1 	2 	3 
Lower leg HB-FB (Left)-2pcs	Lower leg HB-FB (Right)-2pcs	Upper leg HB&FB (L/R)-2pcs
4 	5 	6 
Upper leg FB (Right)-1pc	Upper leg HB (Right)-1pc	Cap for upper HB&FB-2pcs
13 	8 	9 
Cap for lower HB&FB-2pcs	Long guard rail-2pcs	Short guard rail-2pcs
10 	11 	12 
Side rail upper (Back) -1pc	Side rail upper (Front) -1pc	Vertical guard rail - 2pcs
19 	20 	22 
Support guard rail - 1pc	Side rail lower (B/F) - 2pcs	Wood block - 3pcs
24 	31 	32 
Step ladder - 5pcs	Center support rail-1pc	Center leg - 3pcs

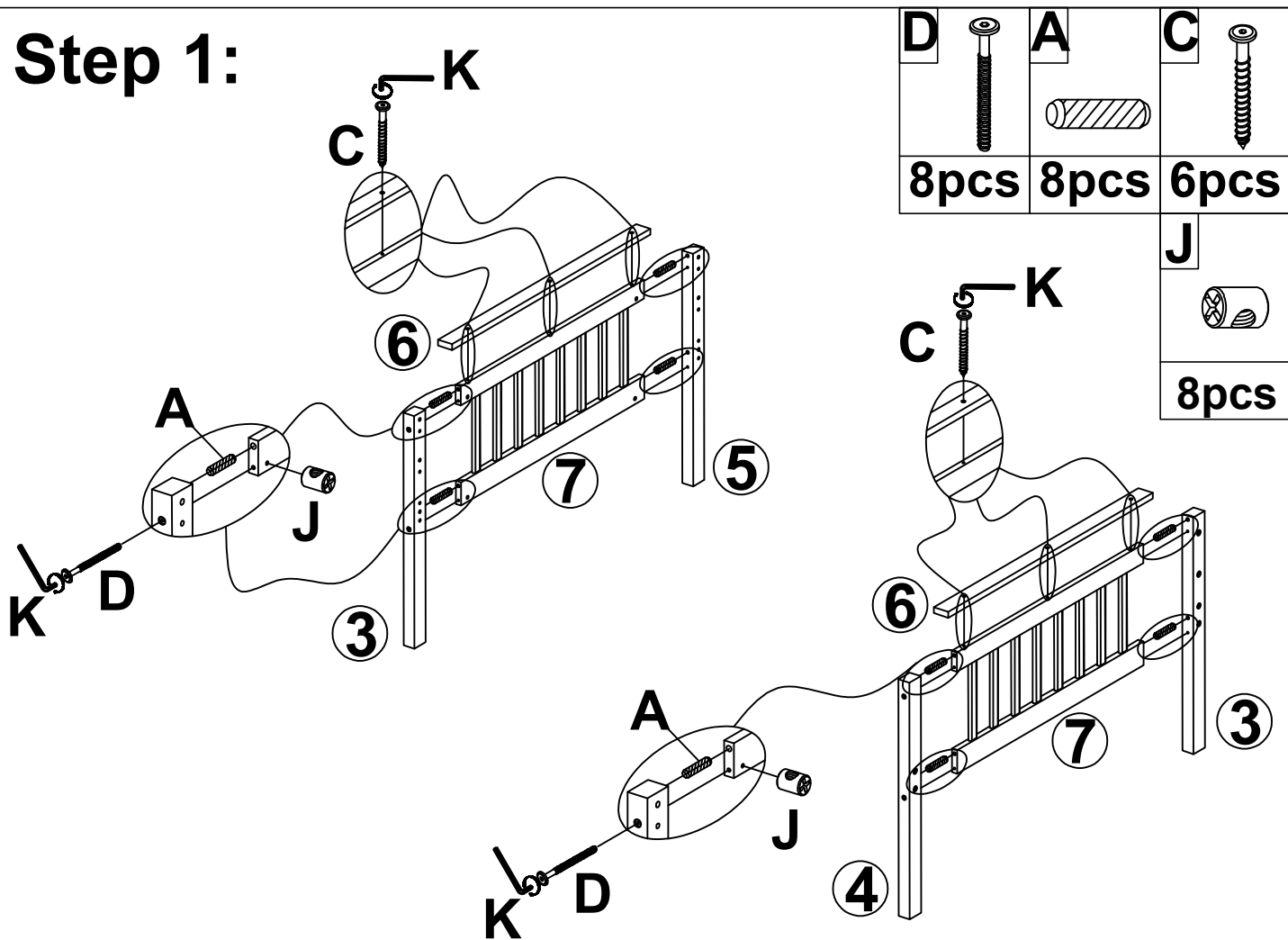
Part List

7 	14 	17 
Upper HB & FB - 2pcs	Lower HB/FB - 2pc	Side panel - 2pcs
18 	23 	25 
Horizontal bar - 2pcs	Ladder (Left) - 1pc	Ladder (Right) - 1pc
26 	27 	28 
Drawer back - 2pcs	Drawer (L/R) - 4pcs	Drawer front - 2pcs
29 	30 	16 
Drawer botton - 2pcs	Center support drawer-2pcs	Slats 3 hole - 7pcs
16A 	16B 	
Slats 2 hole - 4pcs	Slats 3 hole catch extra legs - 3pcs	

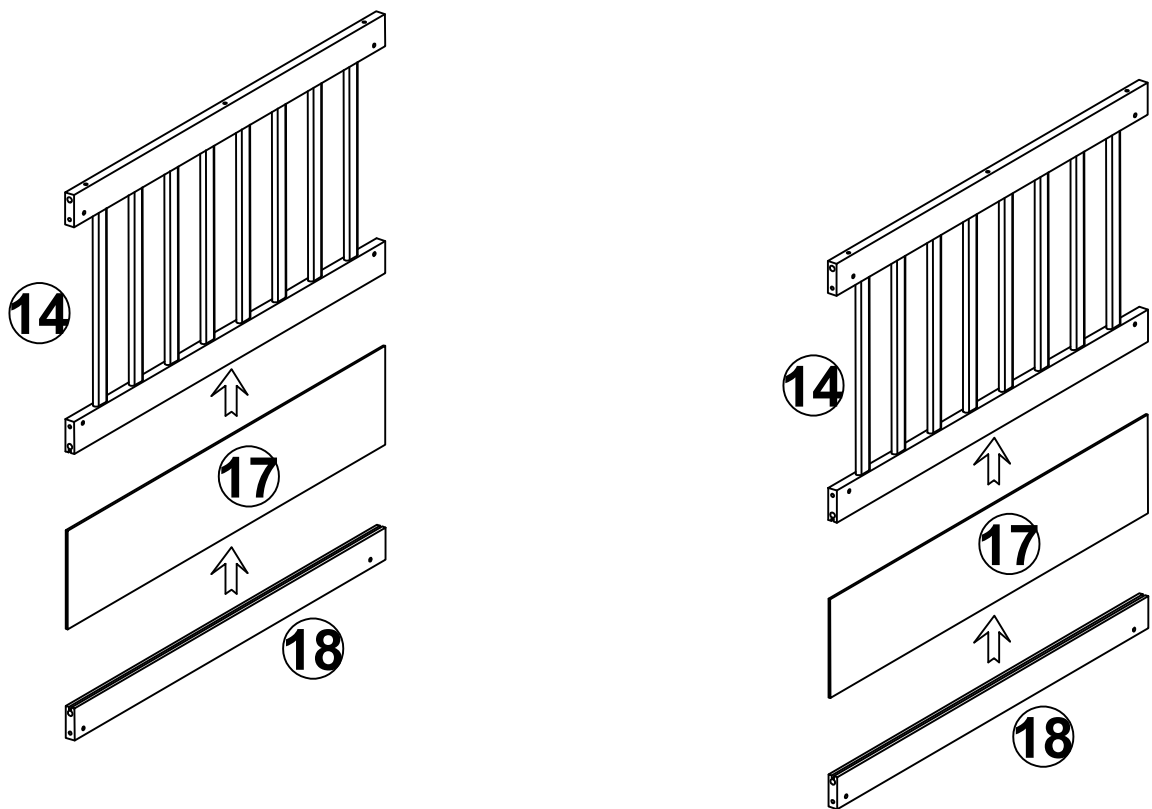
Hardware List

A  Ø10*30mm	B  Ø6*30mm	C  Ø6*50mm
Wood dowel (56pcs)	Hex-Head screw (6pcs)	Hex-Head screw (12pcs)
D  Ø1/4"*100mm	E  Ø1/4"*80mm	F  Ø1/4"*65mm
Hex-Head screw (20pcs)	Hex-Head bolt (22pcs)	Hex-Head bolt (12pcs)
G  Ø1/4"*30mm	H  Ø1/4"	J  Ø1/4"*9.5*12mm
Hex-Head bolt (5pcs)	Nut (2pcs)	Horizontal-Hole bolt (54pcs)
K  K4mm	L  #4*30mm	M  Ø35mm
Allen key (1pc)	Screw (57pcs)	Small Wheel (8pcs)
N  75*40*25mm	U  #4*15mm	P  #3.5*12mm
U bracket (2pcs)	Screw (12pcs)	Screw (20pcs)
Q  Hook (4pcs)	R  90*17*2mm	T  #4*20mm
Hook (4pcs)	Foam stick (4pcs)	Screw (12pcs)
W  Ø10*90mm Metal dowel (4pcs)		

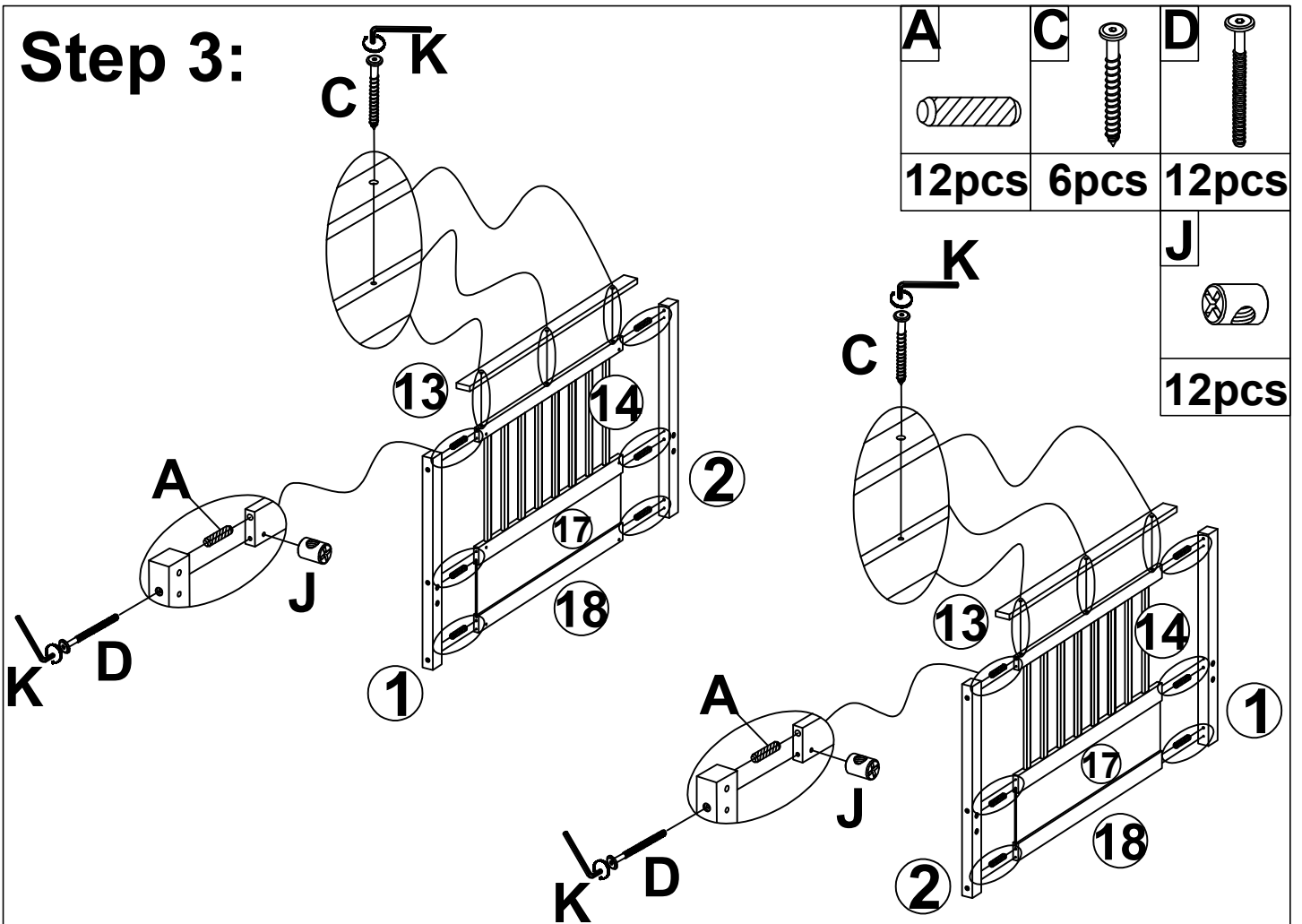
Step 1:



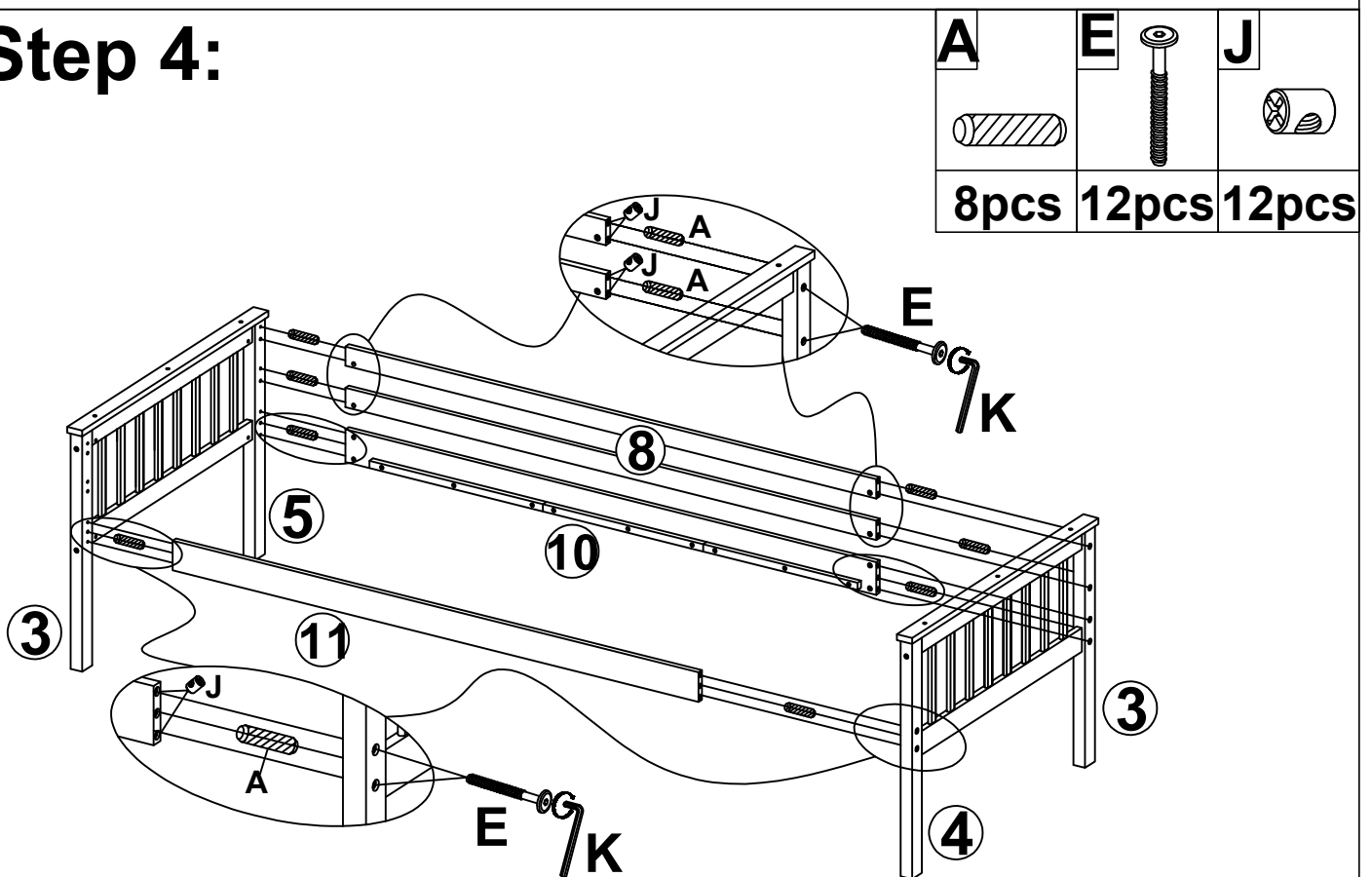
Step 2:



Step 3:



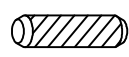


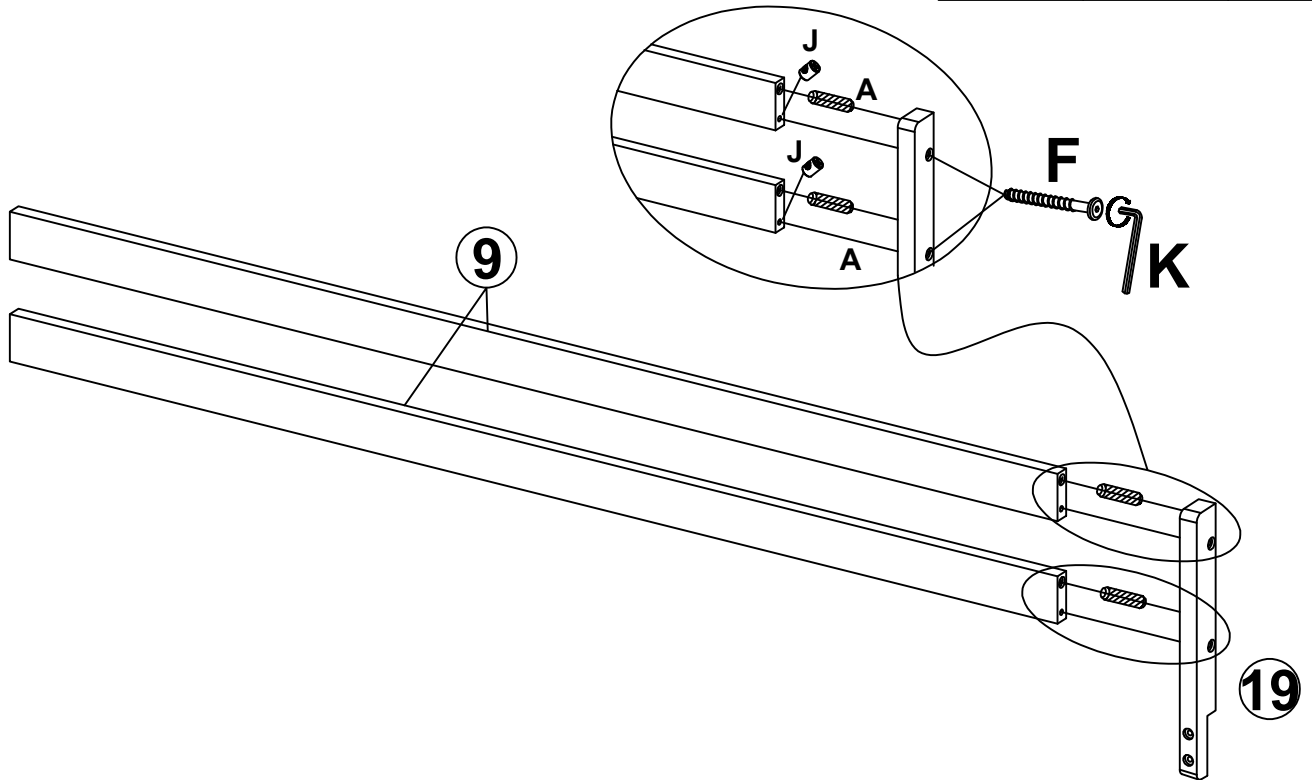
Step 4:




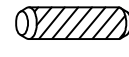

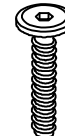

ATTENTION: PLEASE DON'T TIGHTEN ALL BOLTS IN THIS STEP, JUST TIGHTEN 80%

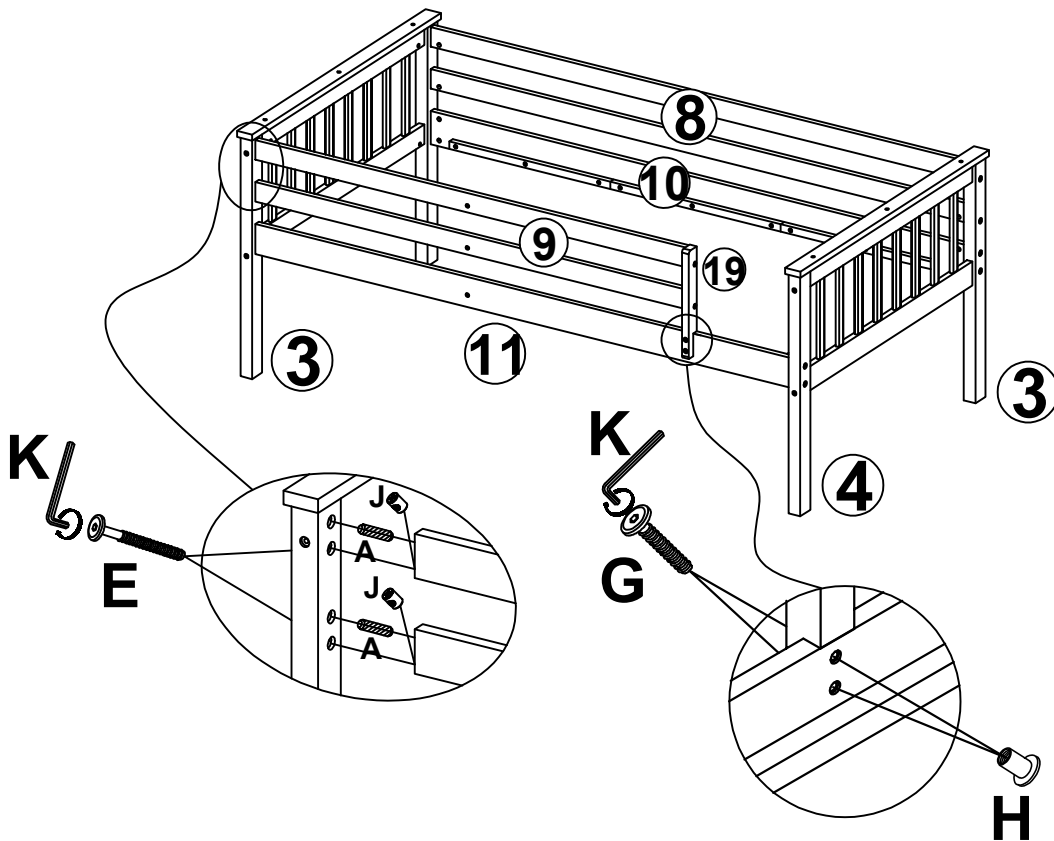
Step 5:

J	A	F	
			
2pcs	2pcs	2pcs	

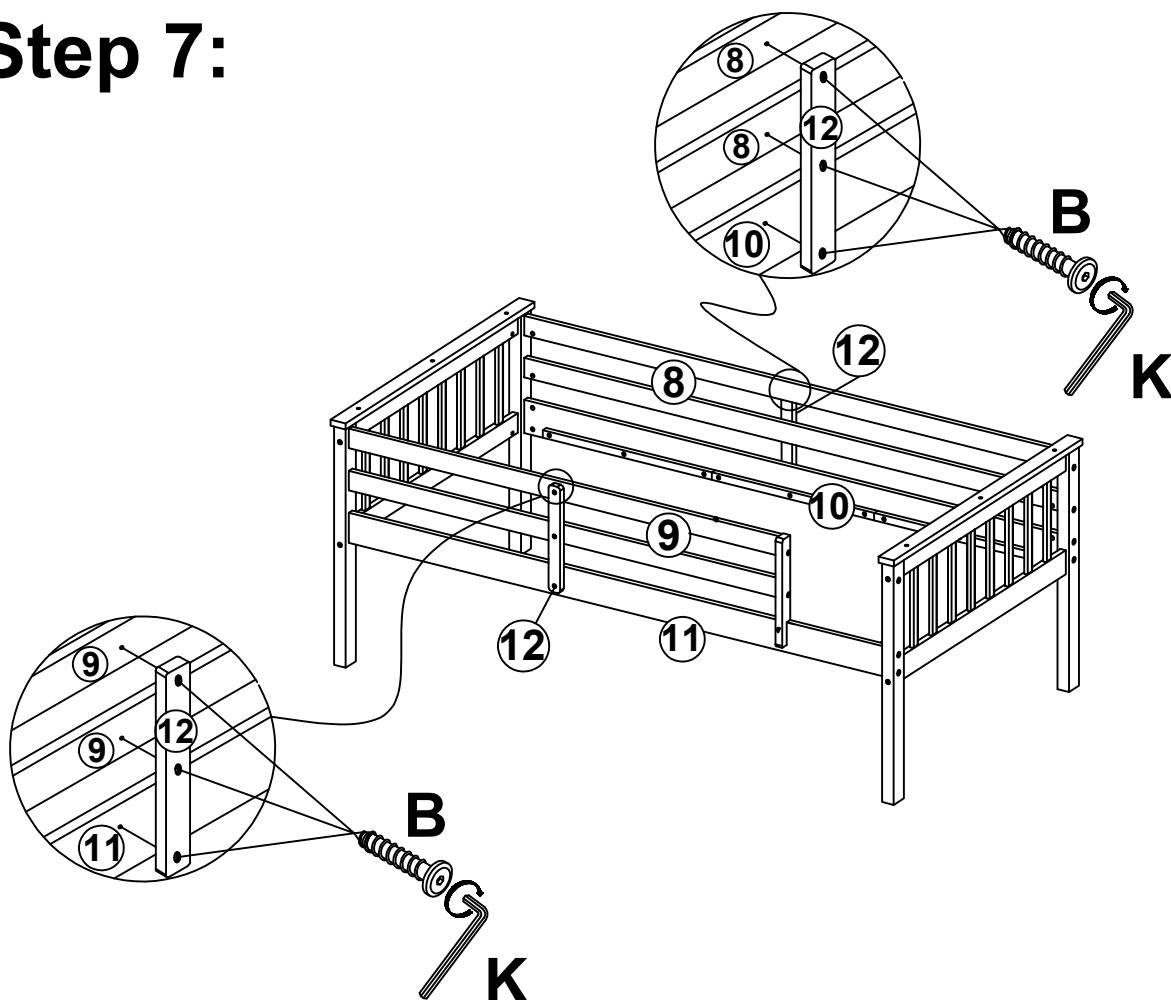


Step 6:


A	E	
		
2pcs	2pcs	
G	H	
		
2pcs	2pcs	
	J	
		2pcs



Step 7:

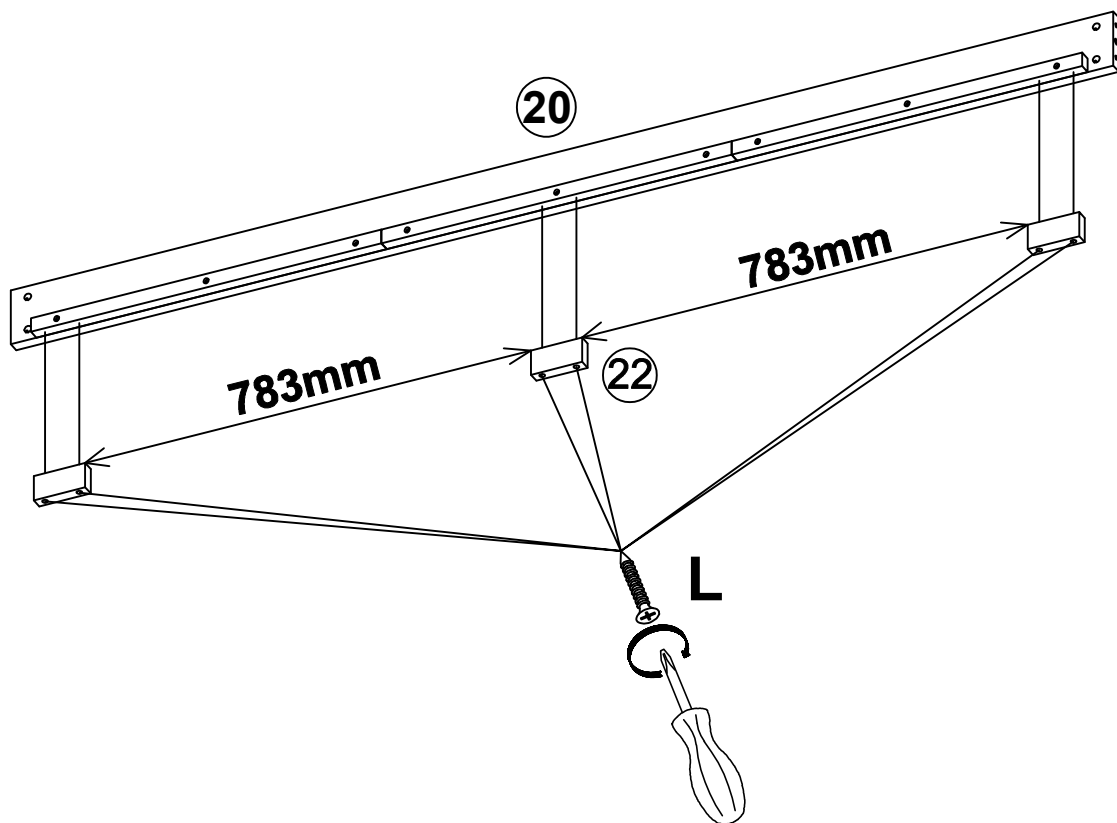


B

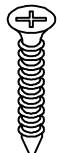


6pcs

Step 8:

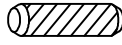
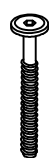



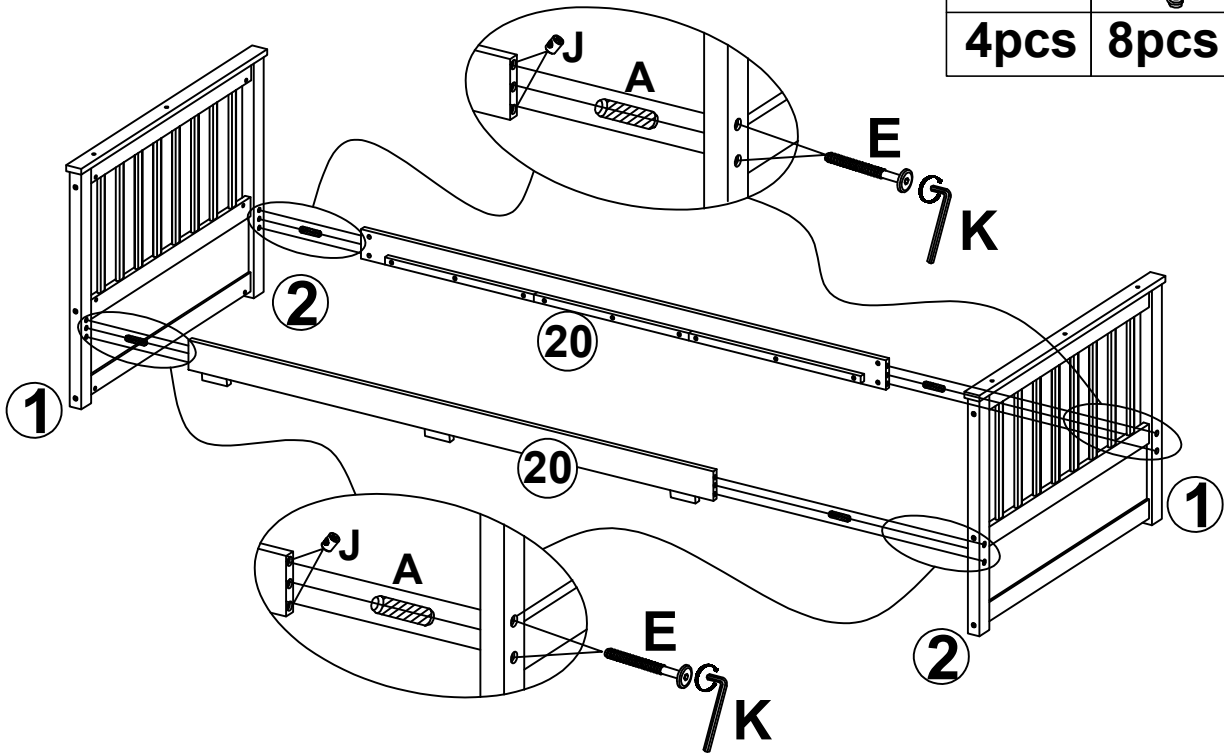
L



6pcs


Step 9:

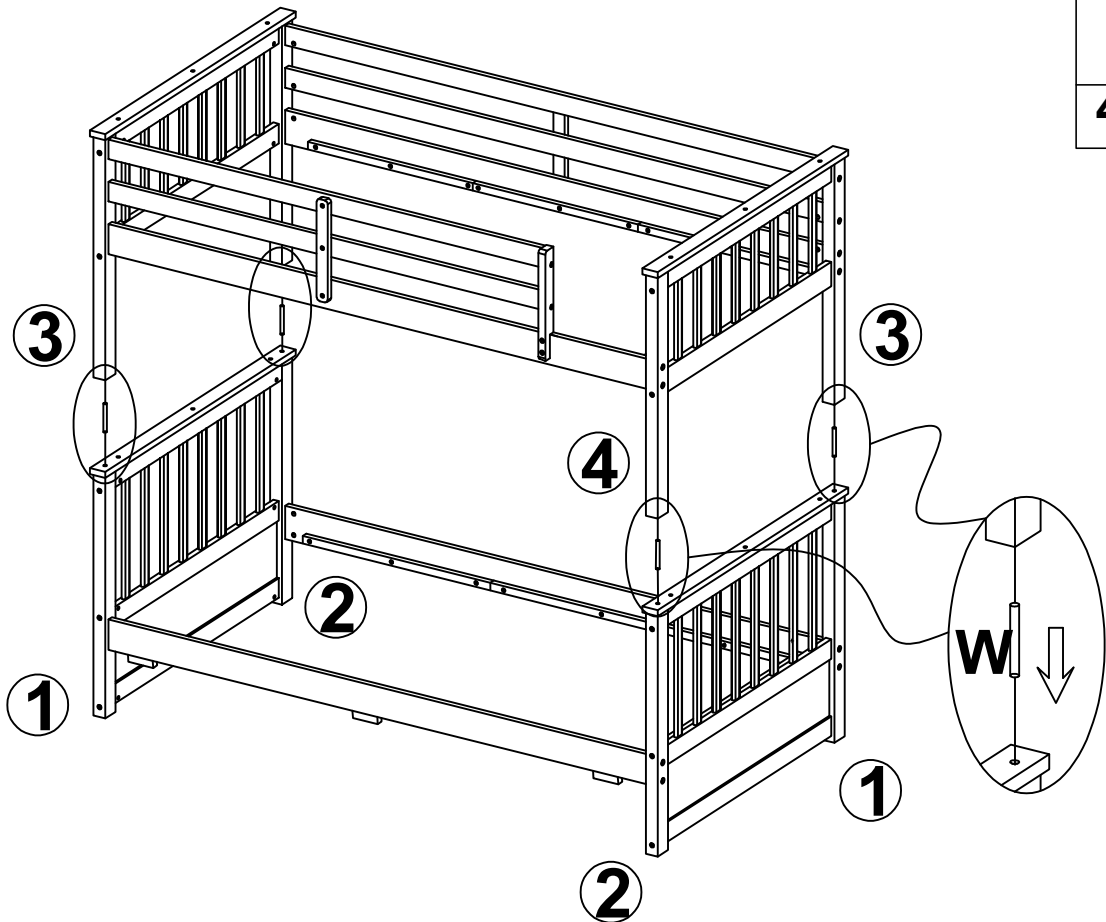
A 	E 	J 
4pcs	8pcs	8pcs





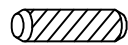
ATTENTION: PLEASE DON'T TIGHTEN ALL BOLTS IN THIS STEP, JUST TIGHTEN 80%

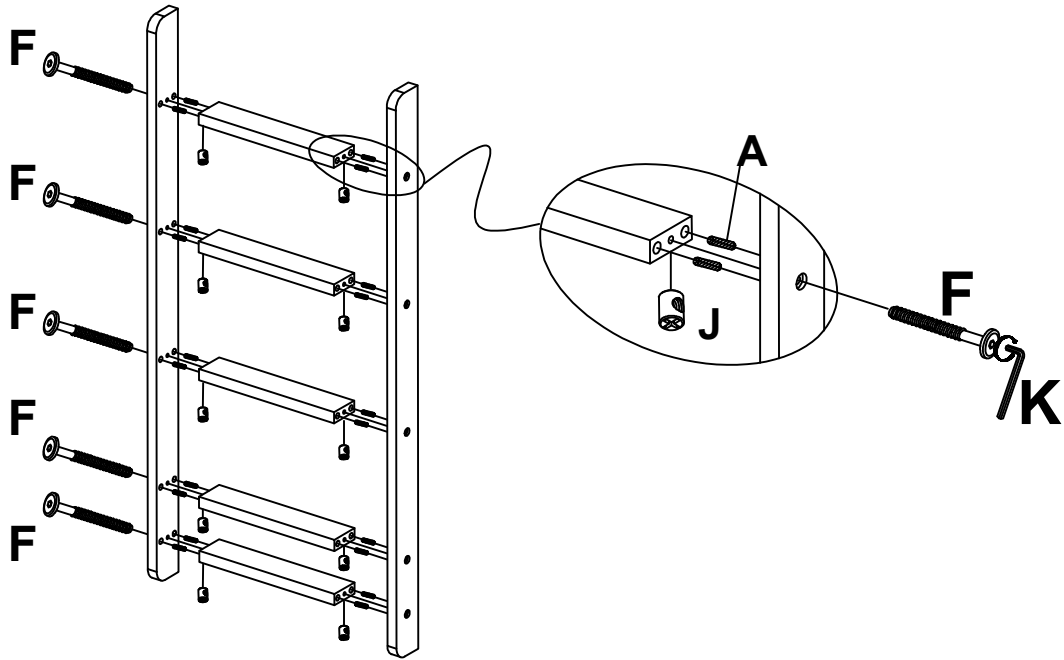
Step 10:

W 
4pcs


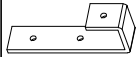



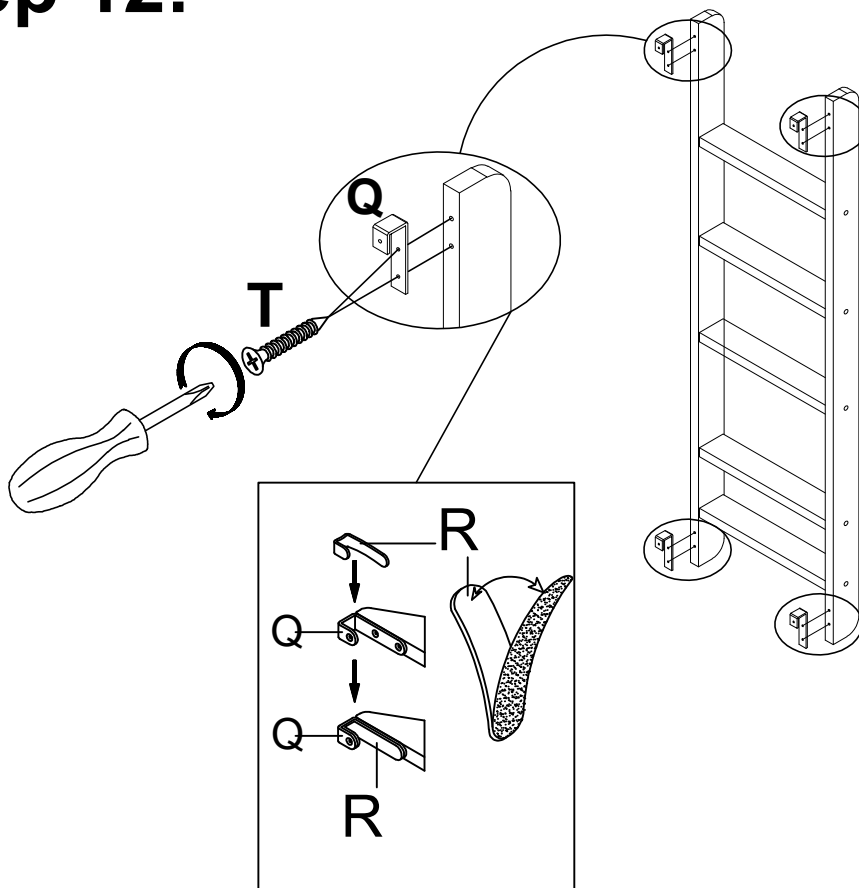
Step 11:

J	A	F	
			
10pcs	20pcs	10pcs	

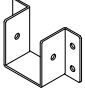
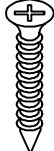



Step 12:

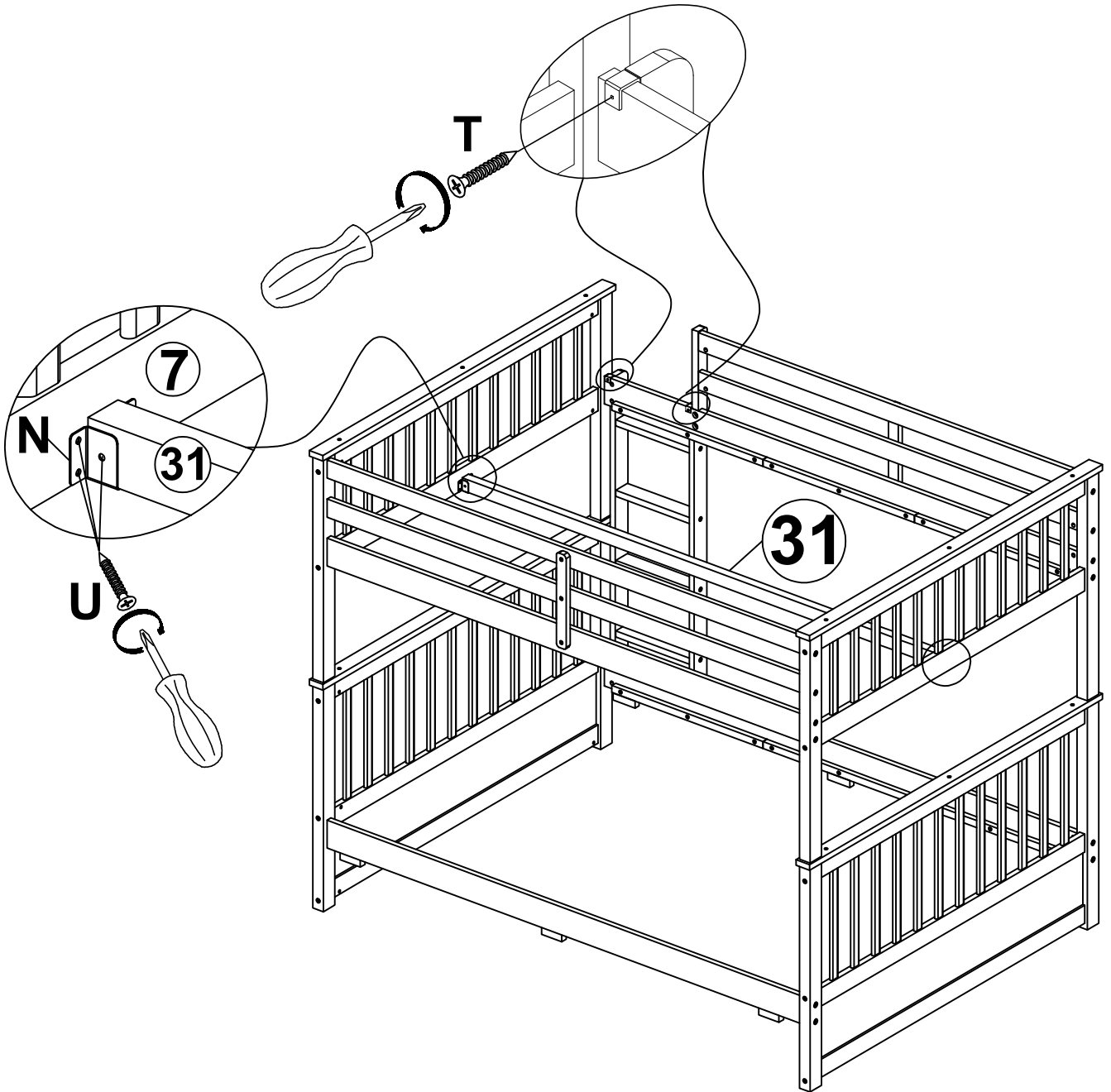
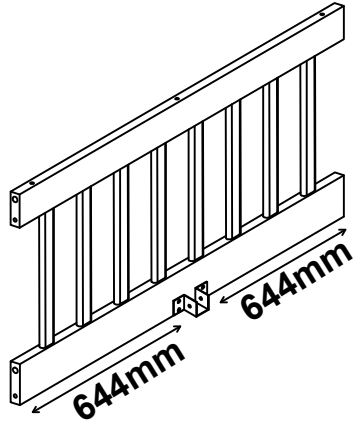
Q	T	
		
4pcs	8pcs	
	R	
	4pcs	





Step 13:

N 	T 	U 
2pcs	4pcs	12pcs

7

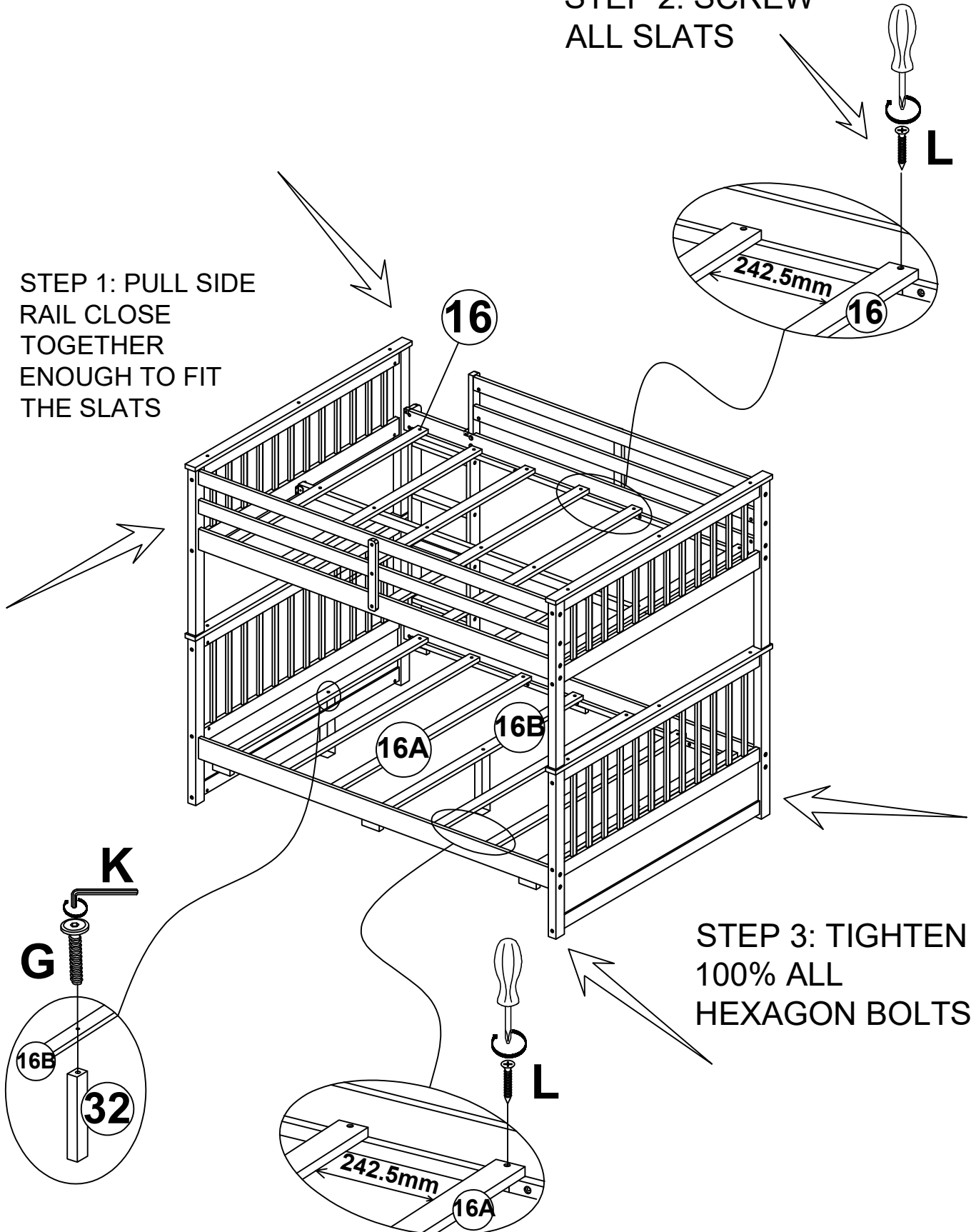


Step 14:

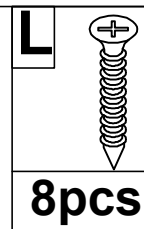
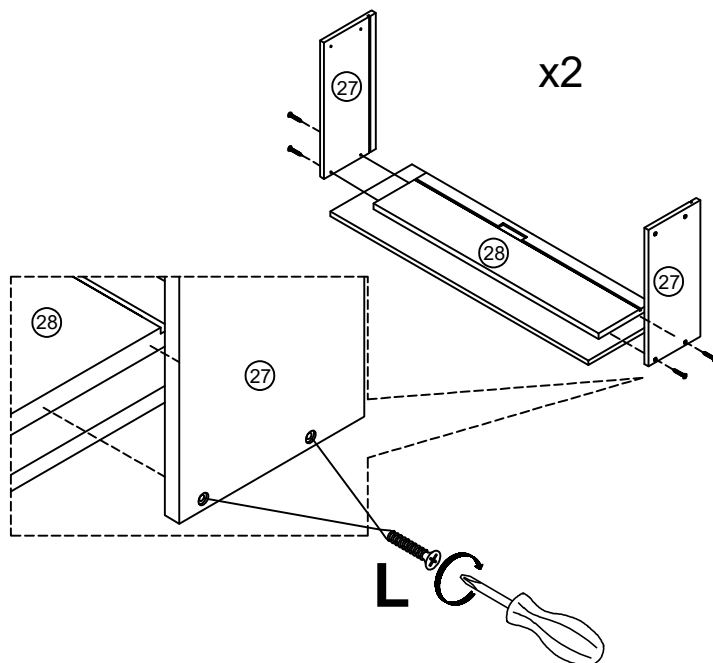
G		L	
3pcs		35pcs	

STEP 2: SCREW
ALL SLATS

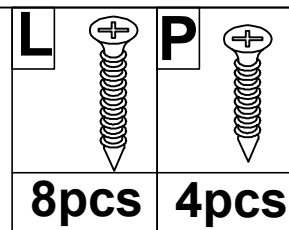
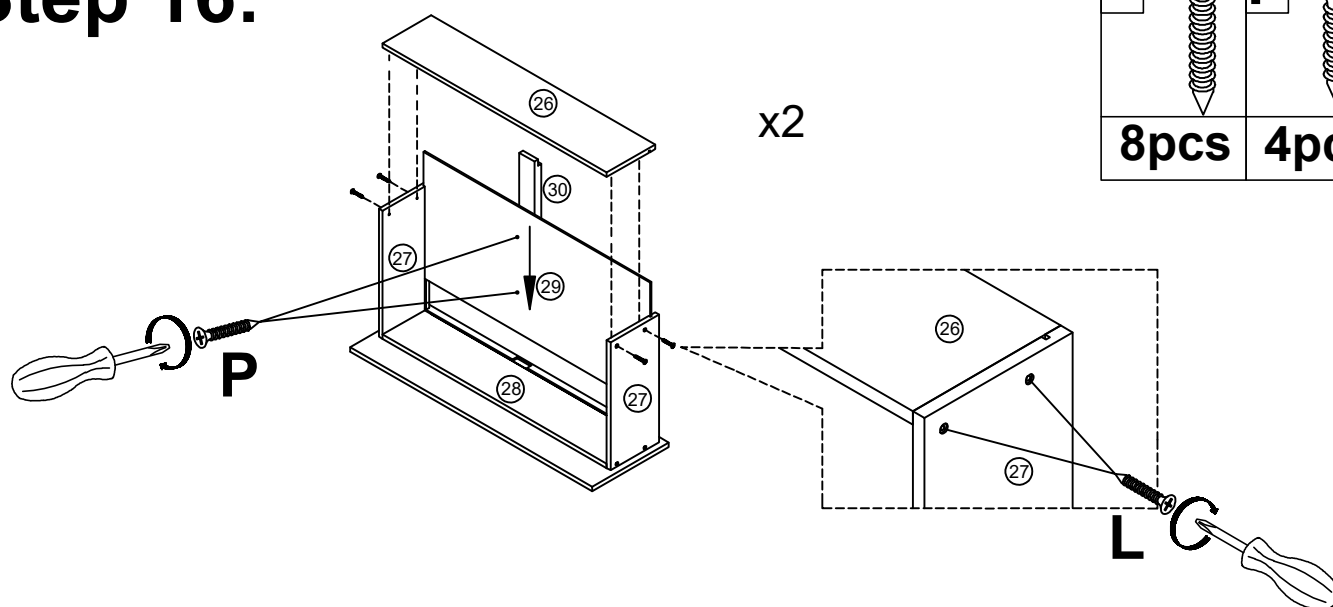
STEP 1: PULL SIDE
RAIL CLOSE
TOGETHER
ENOUGH TO FIT
THE SLATS



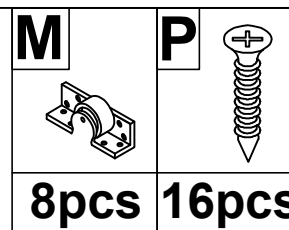
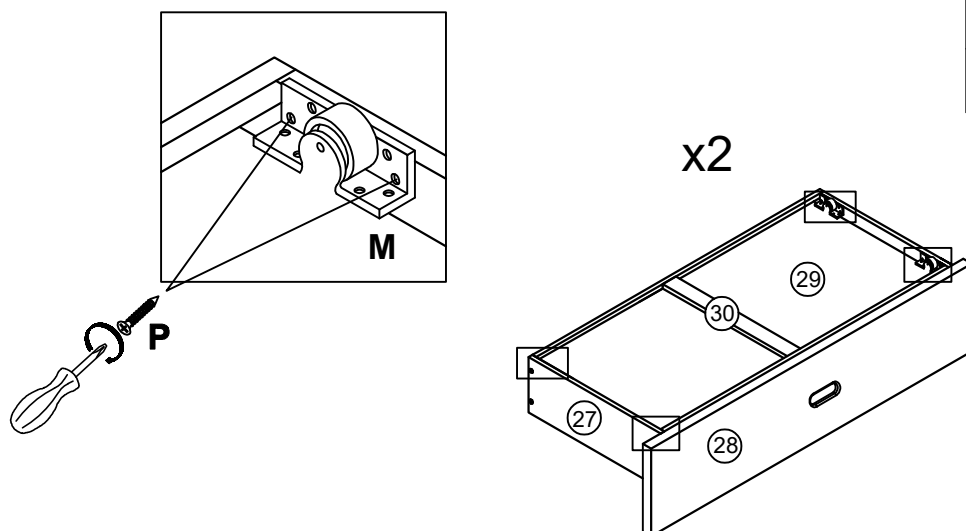
Step 15:



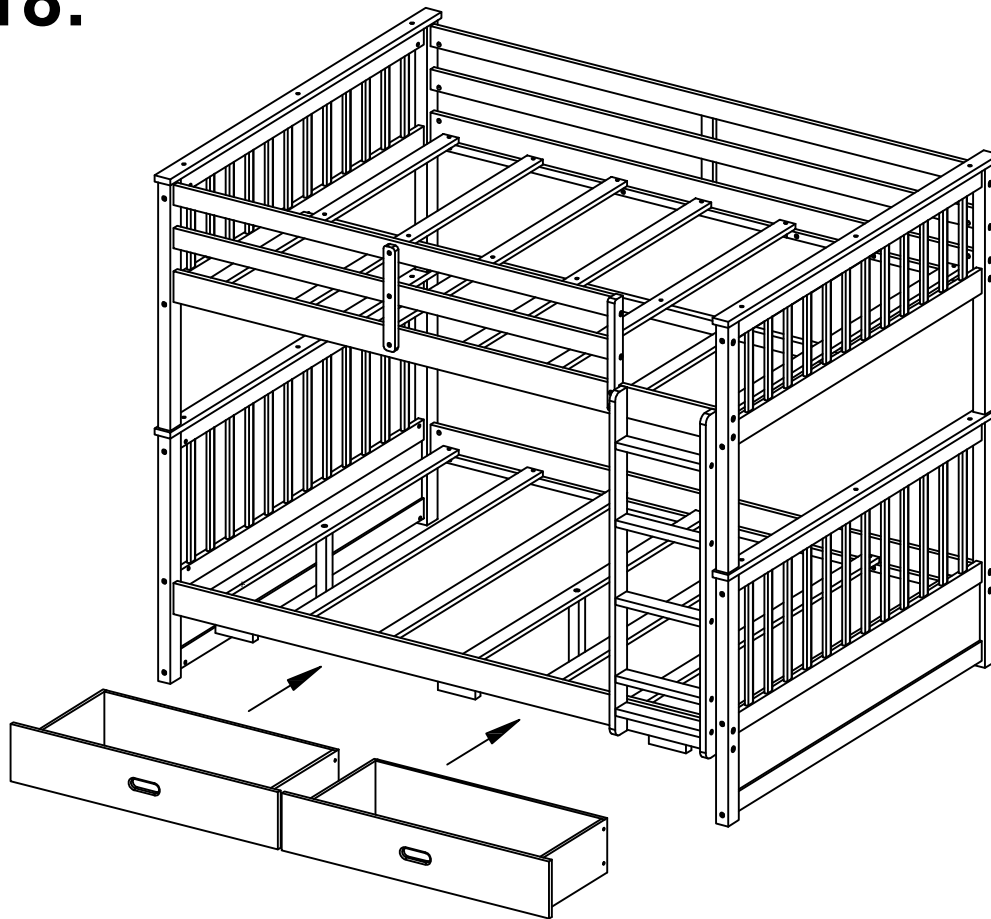
Step 16:



Step 17:



Step 18:



COMPLETED

