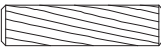
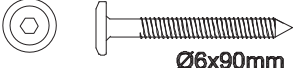
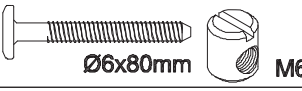





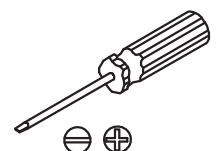
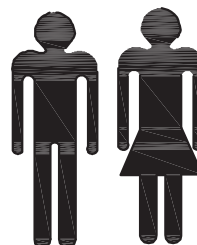
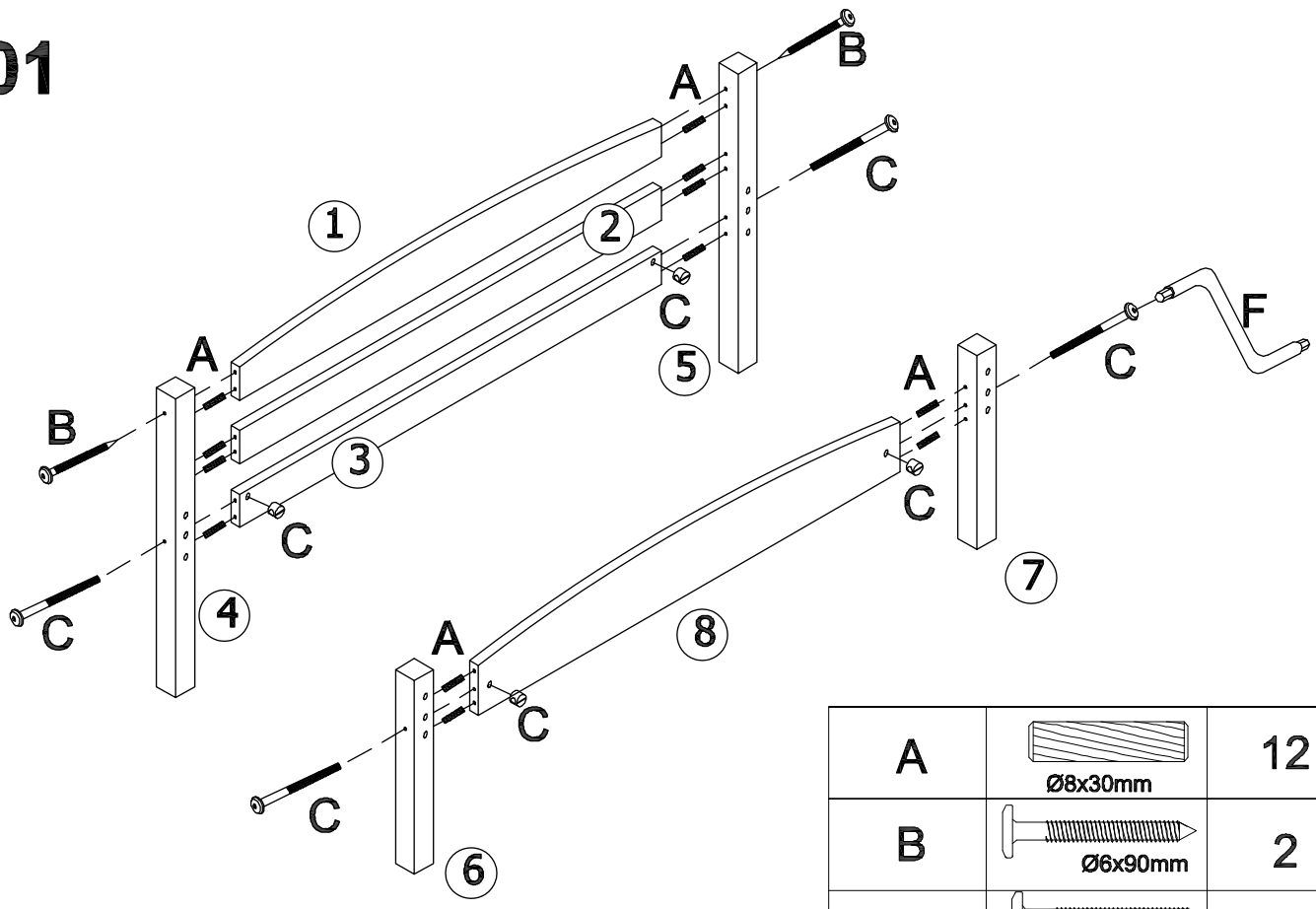


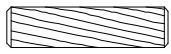
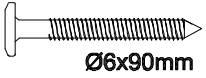
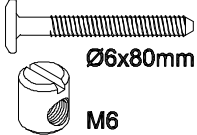
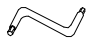
A	 Ø8x30mm	20
B	 Ø6x90mm	2
C	 Ø6x80mm M6	12
D	 Ø6x25mm	8

E	 Ø3.5x30mm	94
F		1
G	 Ø7x50mm	4
H	 Ø6x70mm M6	2

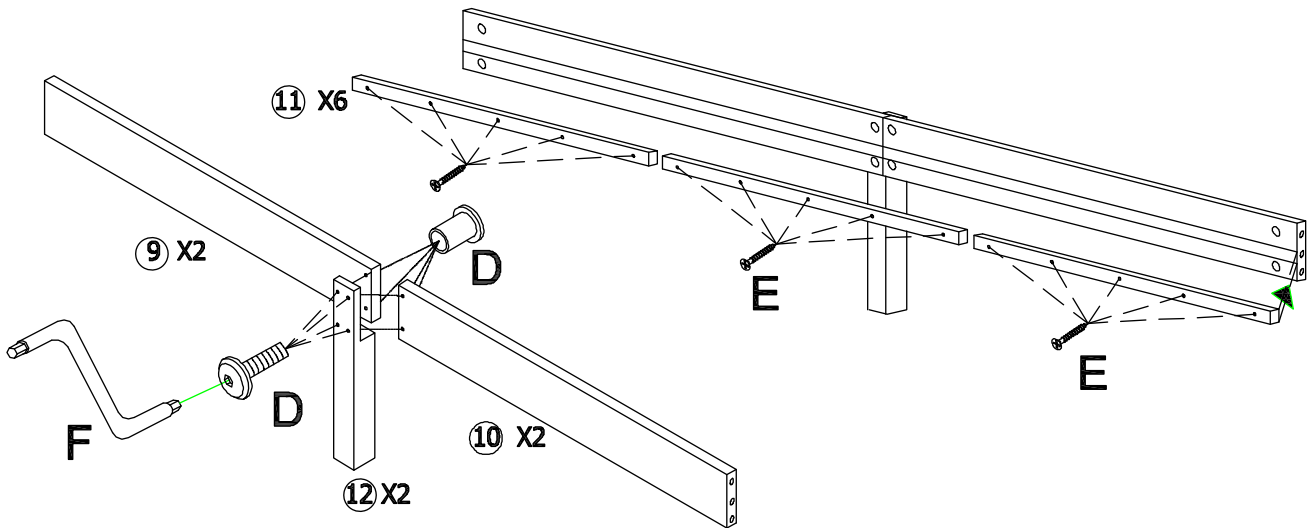





# 01



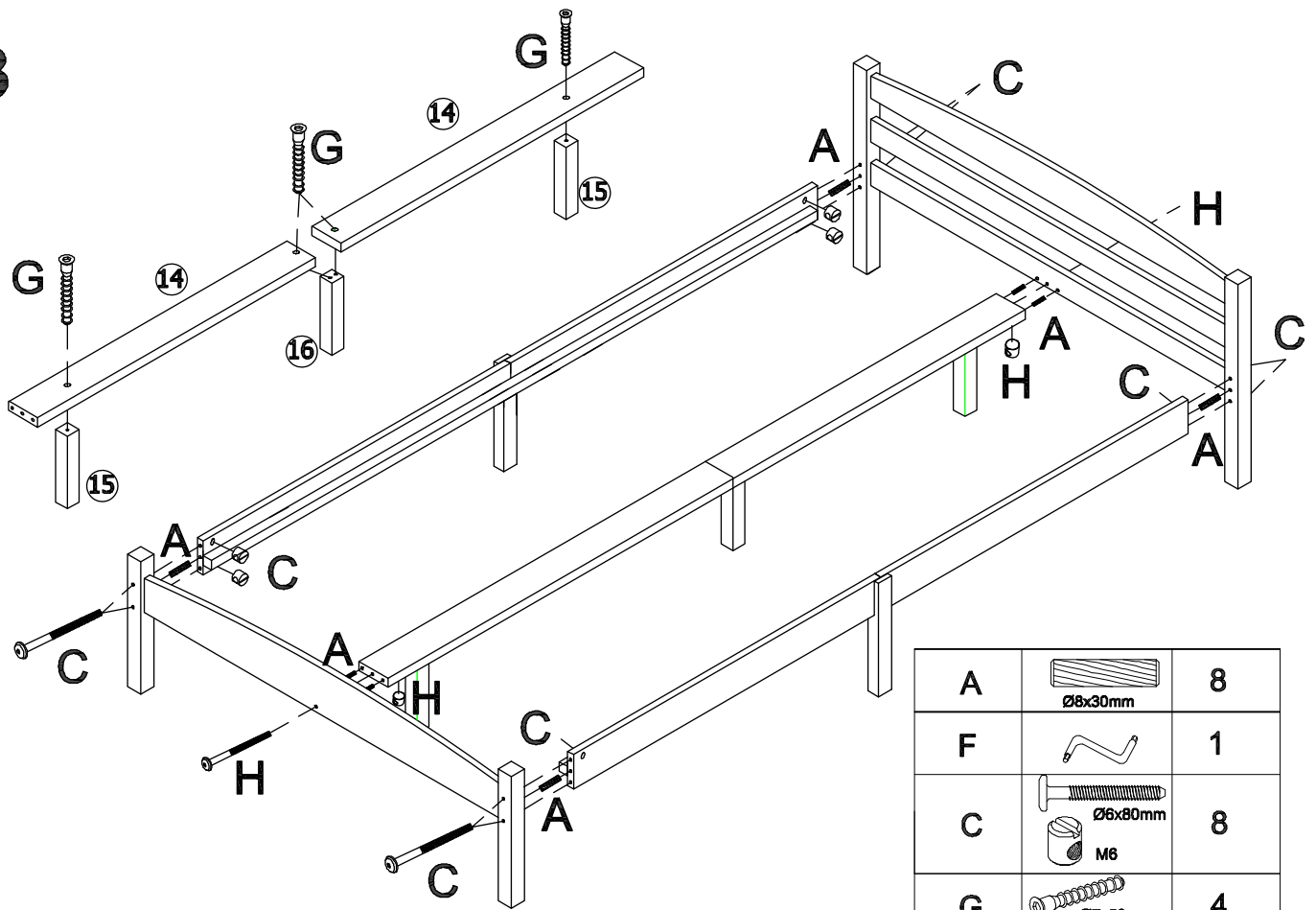
A	 Ø8x30mm	12
B	 Ø6x90mm	2
C	 Ø6x80mm M6	4
F		1


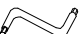
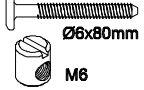

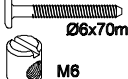
# 02



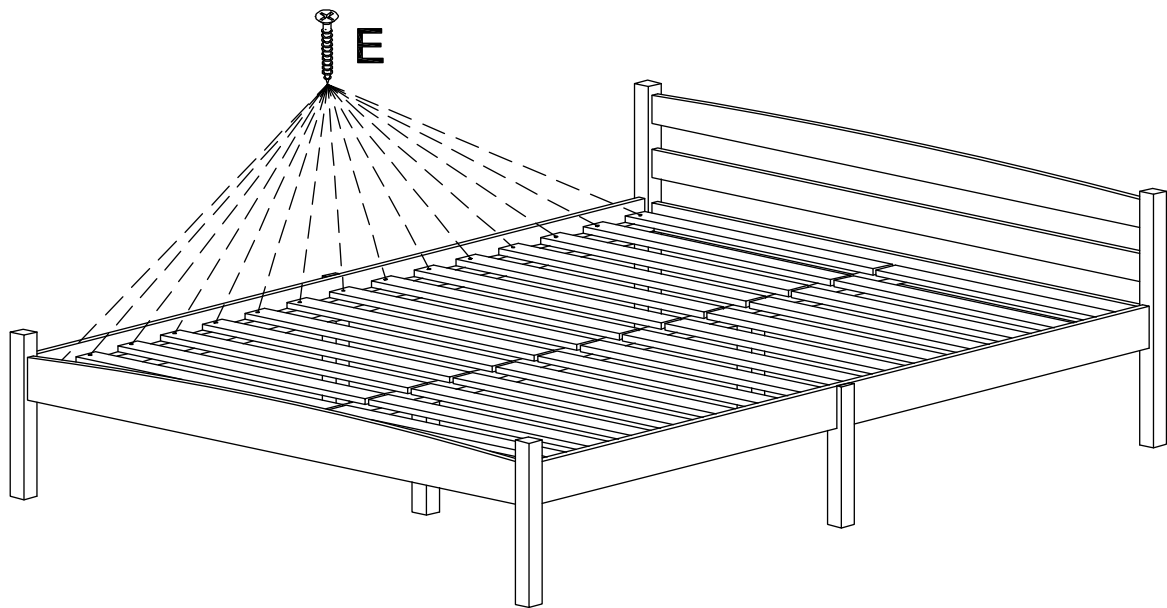
D		8
E	 Ø3.5x30mm	30
F		1


# 03



A	 Ø6x30mm	8
F		1
C	 Ø6x80mm M6	8
G	 Ø7x50mm	4
H	 Ø6x70mm M6	2

# 04



E	 Ø3.5x30mm	64
---	--	----