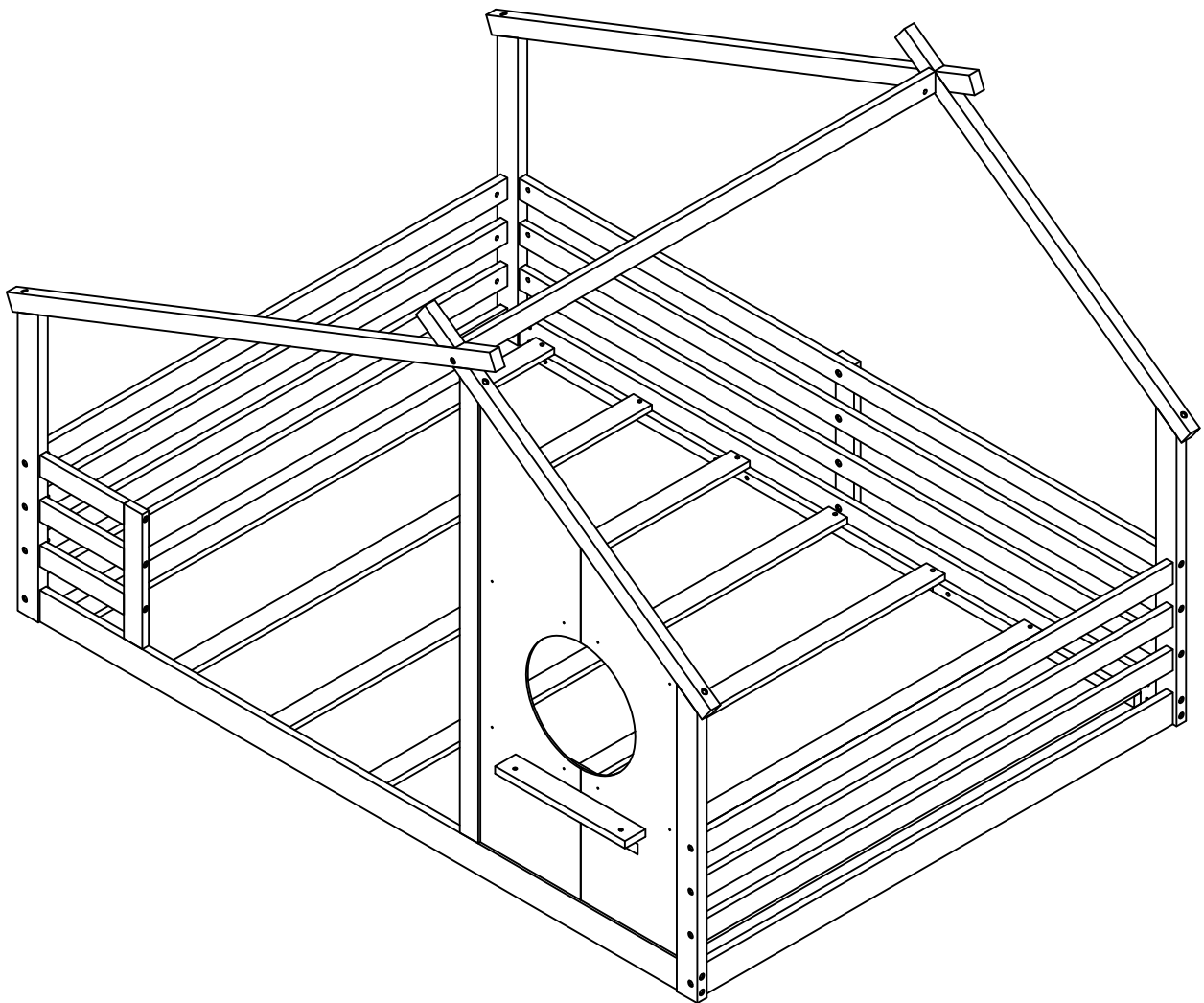
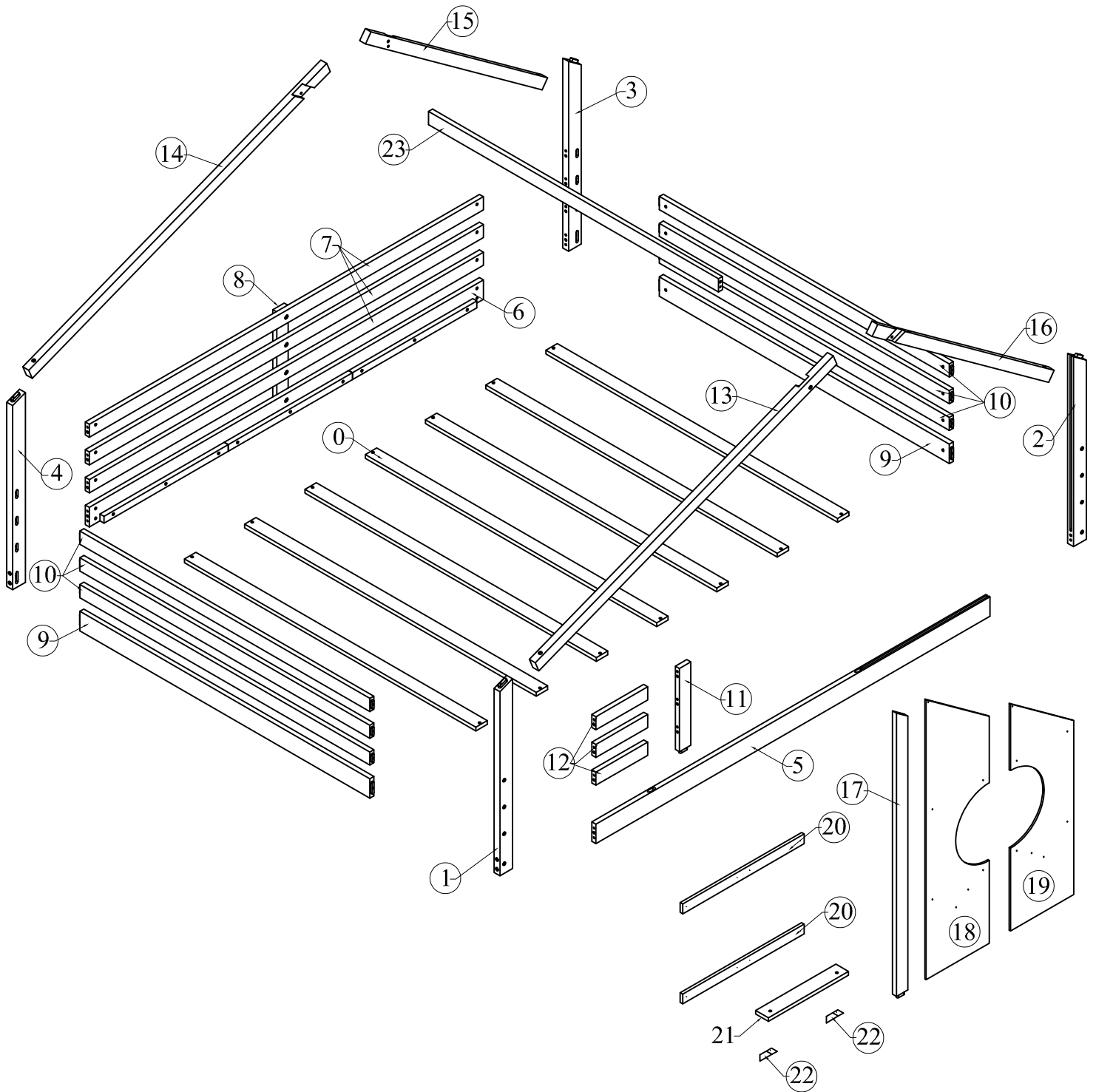


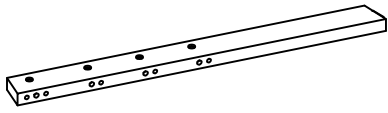
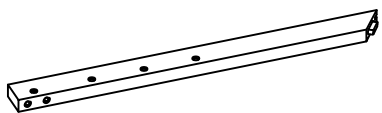
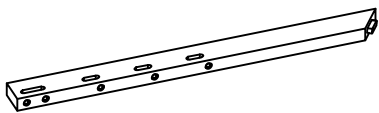
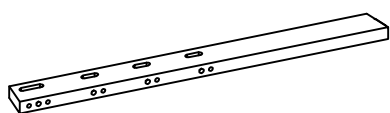
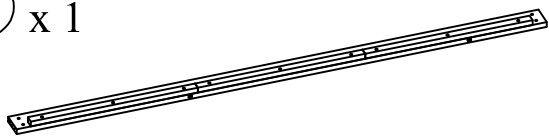
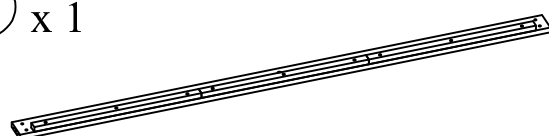
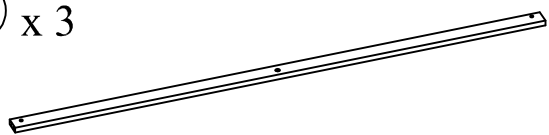
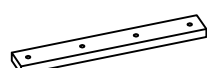
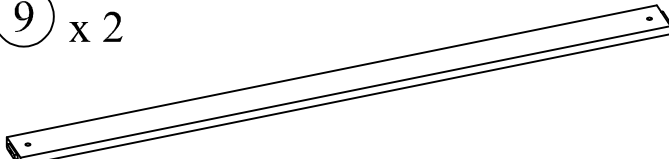
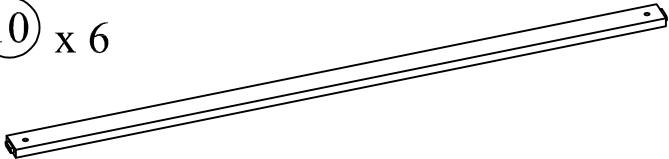
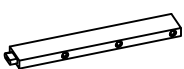

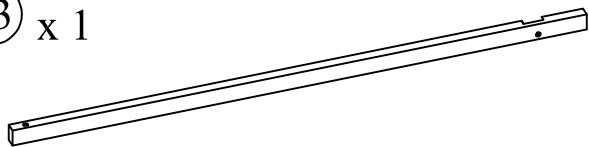
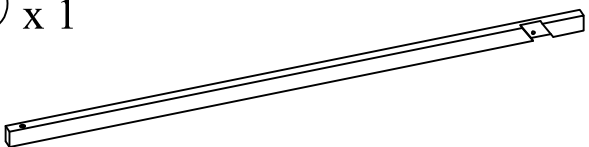
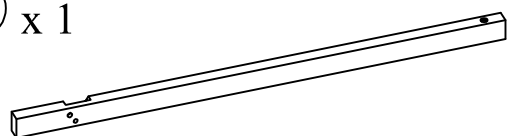
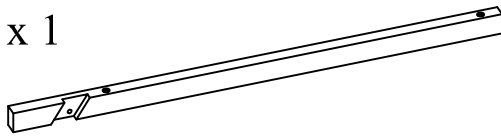
ASSEMBLY INSTRUCTION



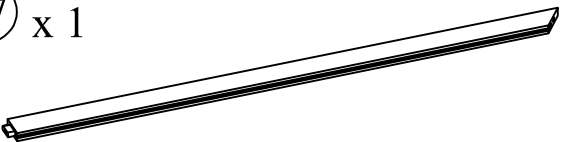
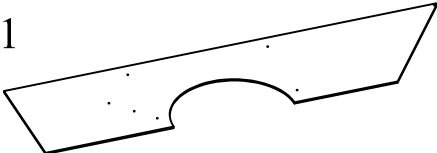
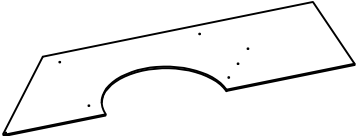



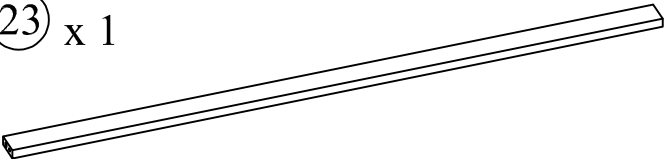
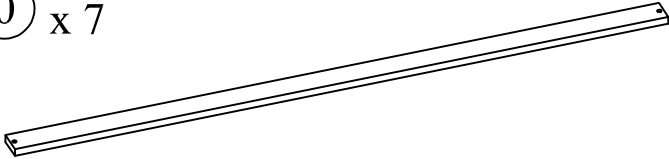
ASSEMBLY INSTRUCTION



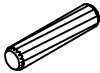
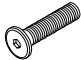











Part List

<p>① x 1</p>  <p>Leg</p>	<p>② x 1</p>  <p>Leg</p>
<p>③ x 1</p>  <p>Leg</p>	<p>④ x 1</p>  <p>Leg</p>
<p>⑤ x 1</p>  <p>Side rail</p>	<p>⑥ x 1</p>  <p>Side rail</p>
<p>⑦ x 3</p>  <p>Guard rail</p>	<p>⑧ x 1</p>  <p>Vertical connector</p>
<p>⑨ x 2</p>  <p>Crossbar</p>	<p>⑩ x 6</p>  <p>Crossbar</p>
<p>⑪ x 1</p>  <p>Vertical guard rail</p>	<p>⑫ x 3</p>  <p>Crossbar</p>
<p>⑬ x 1</p>  <p>Upper</p>	<p>⑭ x 1</p>  <p>Upper</p>
<p>⑮ x 1</p>  <p>Upper</p>	<p>⑯ x 1</p>  <p>Upper</p>

Part List

<p>①⑦ x 1</p>  <p>Vertical guard rail (Front)</p>	<p>①⑧ x 1</p>  <p>Panel</p>
<p>①⑨ x 1</p>  <p>Panel</p>	<p>②① x 2</p>  <p>Connecting rail</p>
<p>②② x 1</p>  <p>Shelf</p>	<p>②③ x 2</p>  <p>Support bar</p>
<p>②④ x 1</p>  <p>Roof</p>	<p>① x 7</p>  <p>Slat</p>


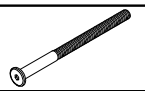

Hardware List

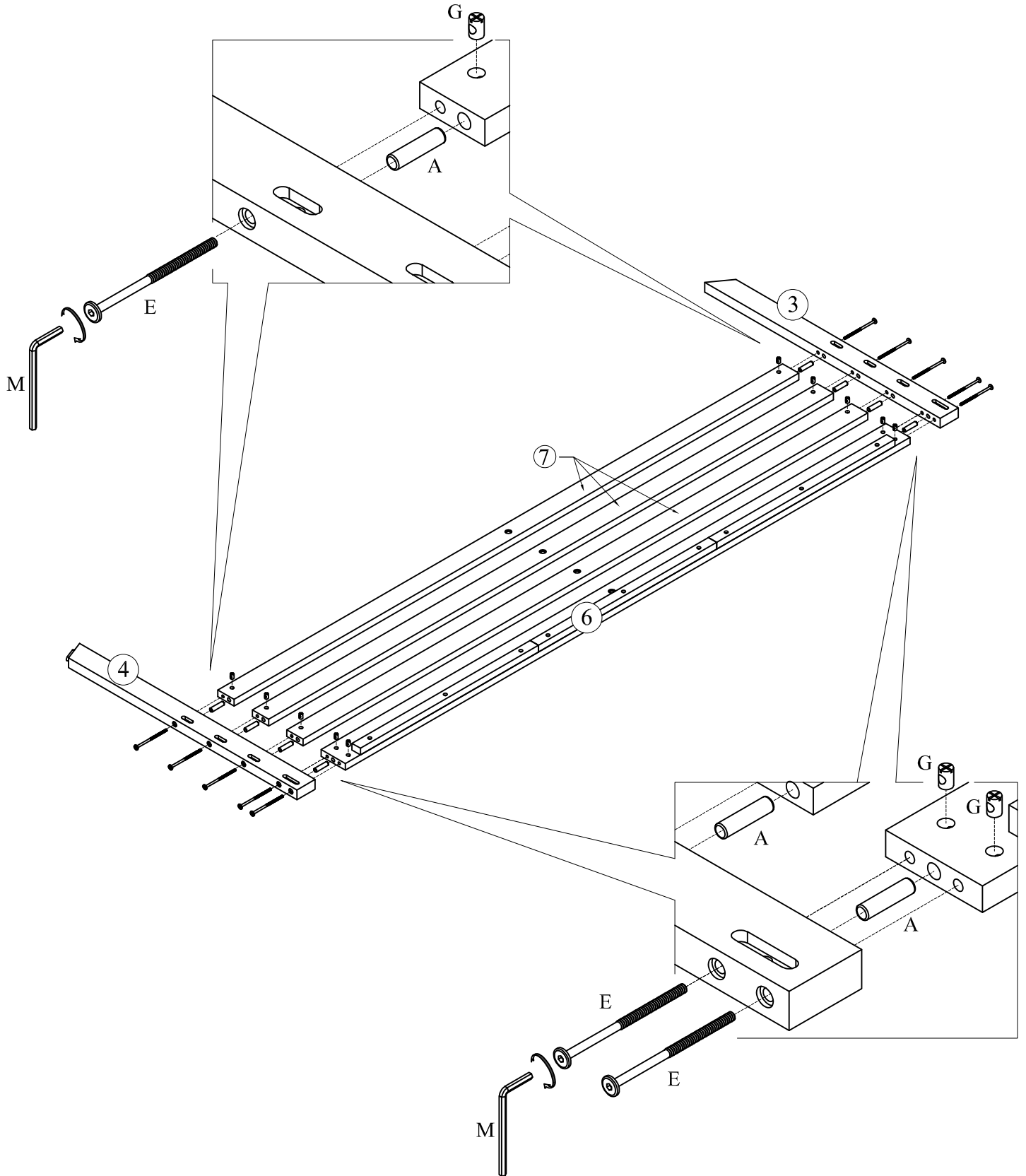
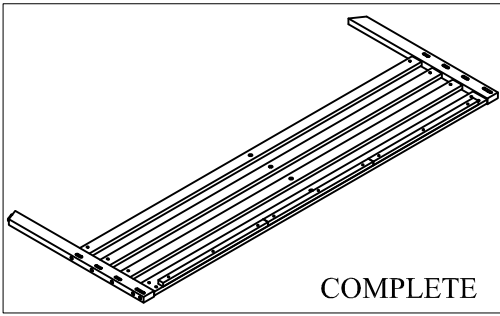
No.	OUTLOOK	DESC	QTY
(A)		Dowel Ø10*40mm	18
(B)		Bolts 1/4"*25mm	04
(C)		Bolts 1/4"*80mm	18
(D)		Bolts 1/4"*90mm	01
(E)		Bolts 1/4"*100mm	20
(F)		Bolts 1/4"*120mm	02
(G)		Cross dowel 1/4"*13mm	41
(H)		Hex bolts 1/4"*15mm	04
(I)		Wood screw bolts 1/4"*65mm	04
(J)		Round Head Screw #7*15mm	10
(K)		Round Head Screw #8*25mm	04
(L)		Screws #8*30mm	14
(M)		Allen key 60*22*4mm	02

ASSEMBLY TOOLS REQUIRED (NOT INCLUDED)



STEP 1

(A)		08
(E)		10
(G)		10

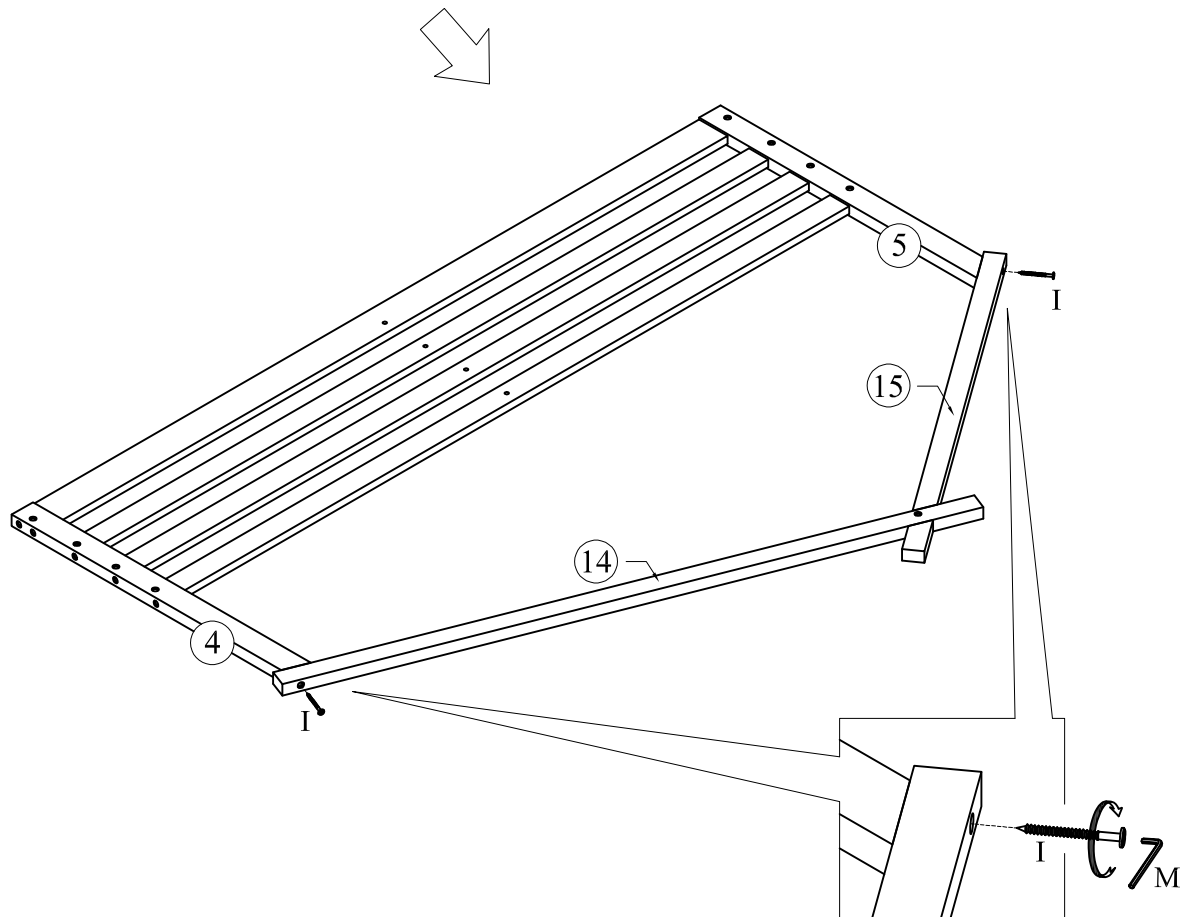
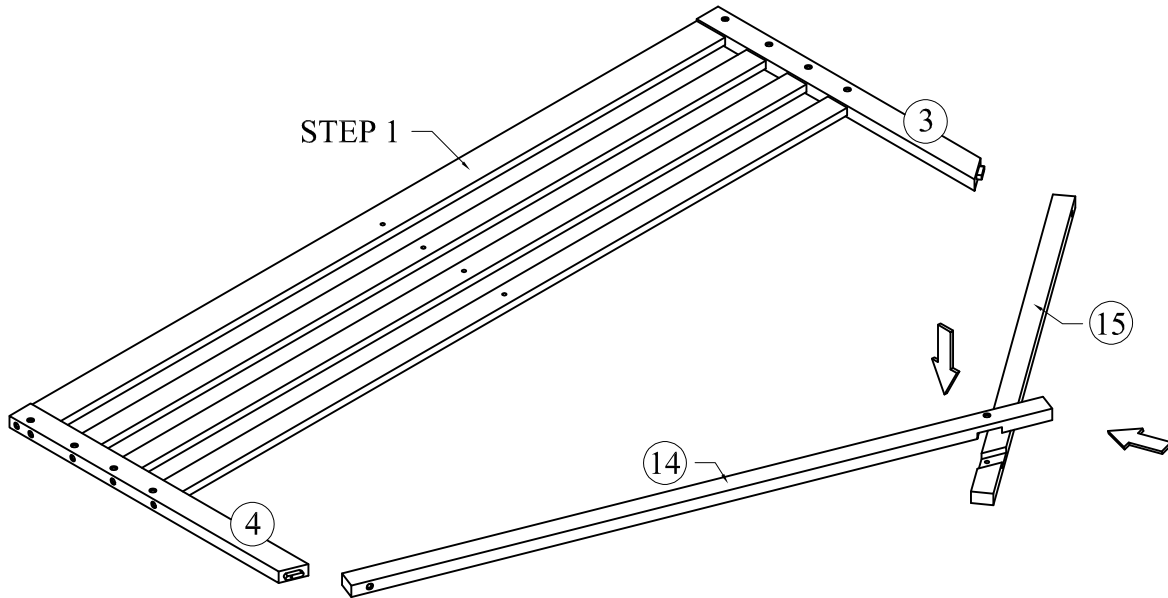
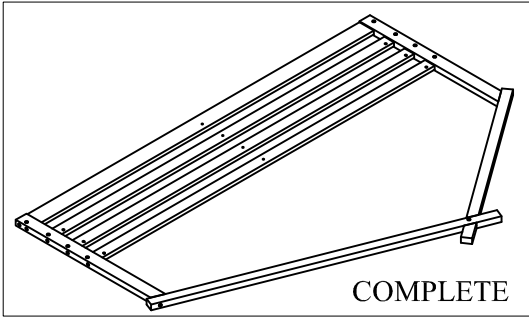


STEP 2

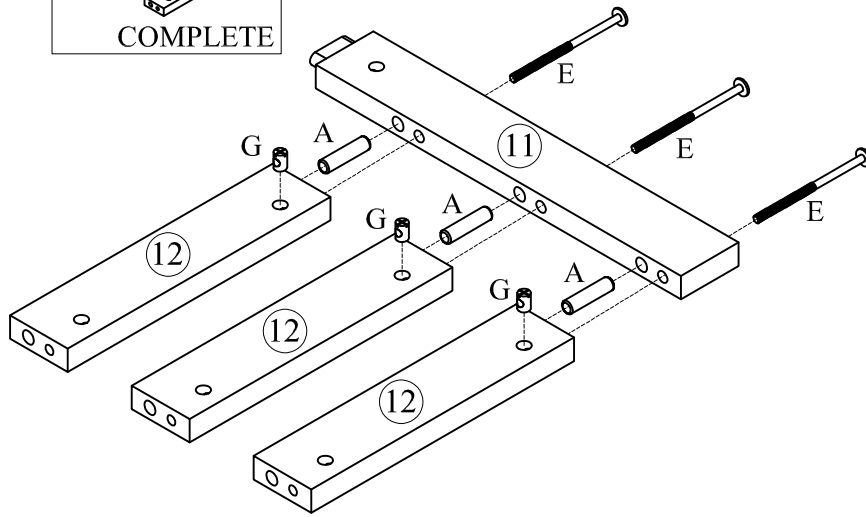
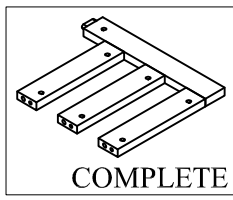
I



02

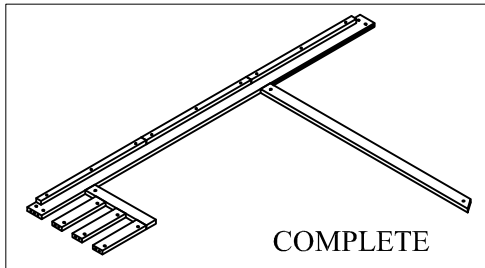


STEP 3

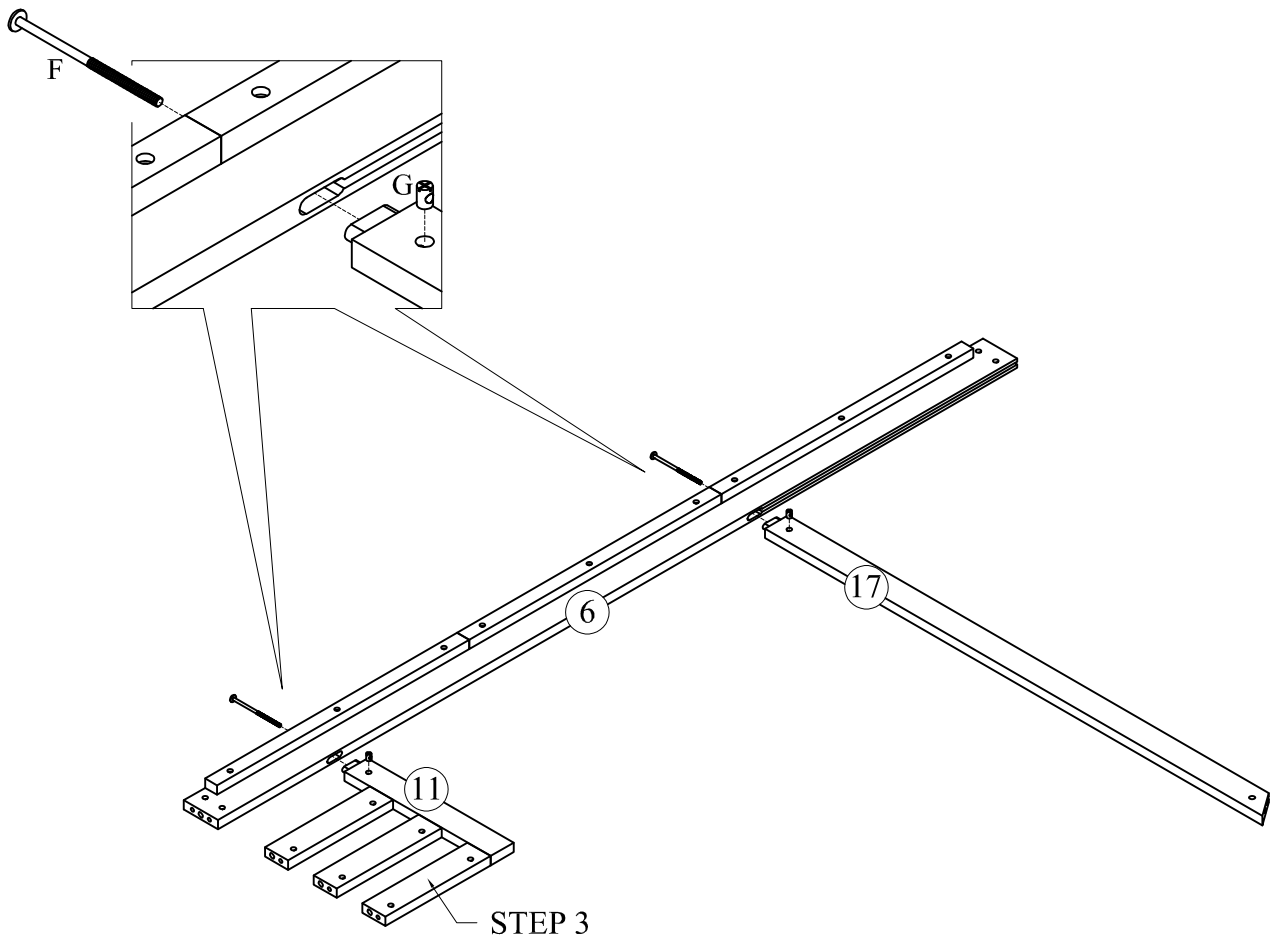


(A)		03
(E)		03
(G)		03




STEP 4

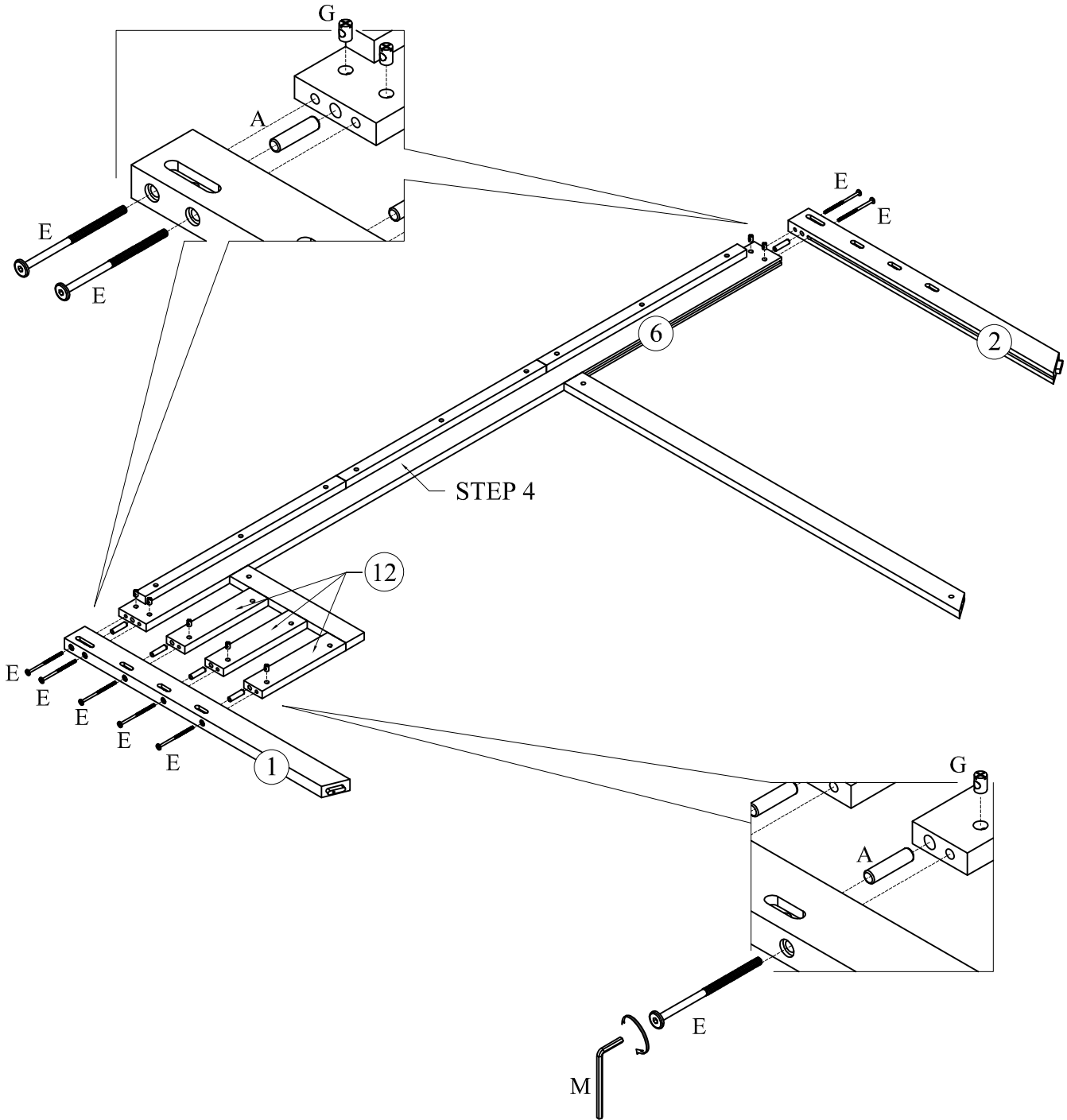
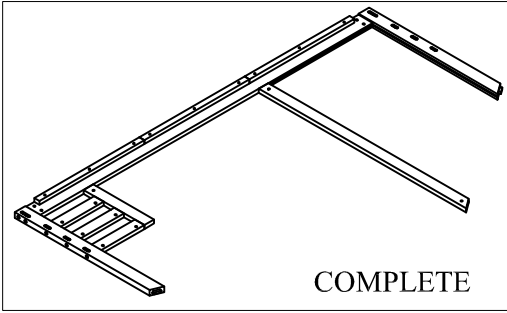


(F)		02
(G)		02






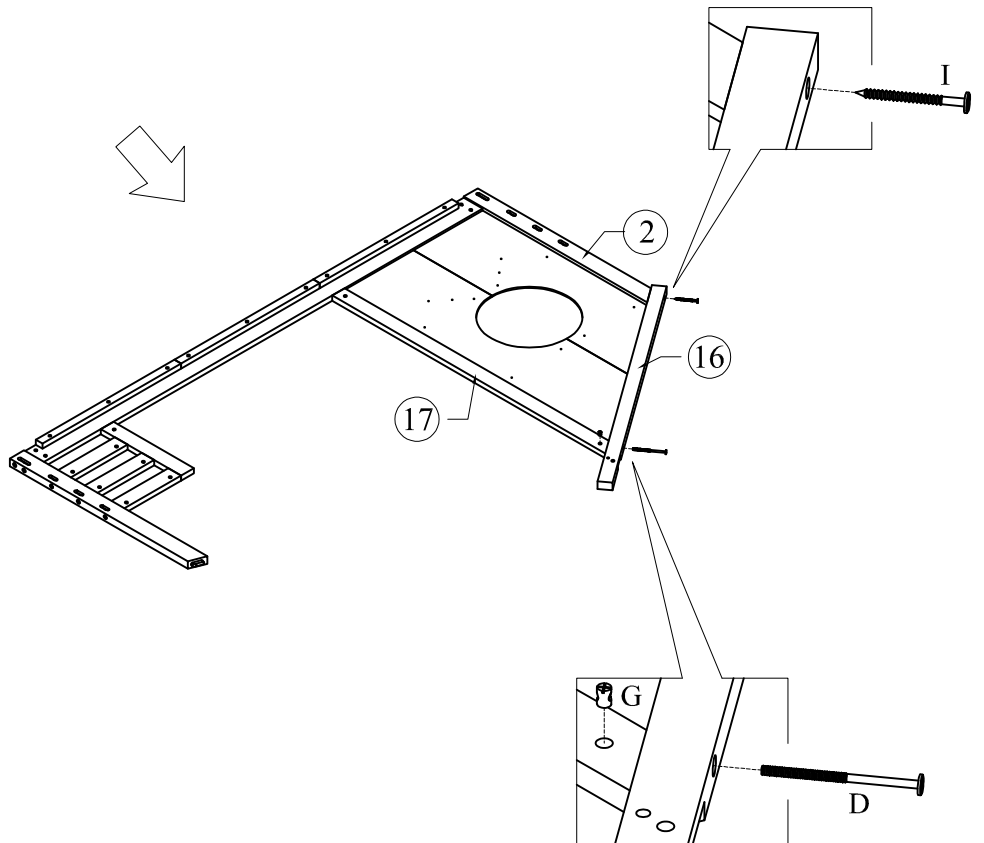
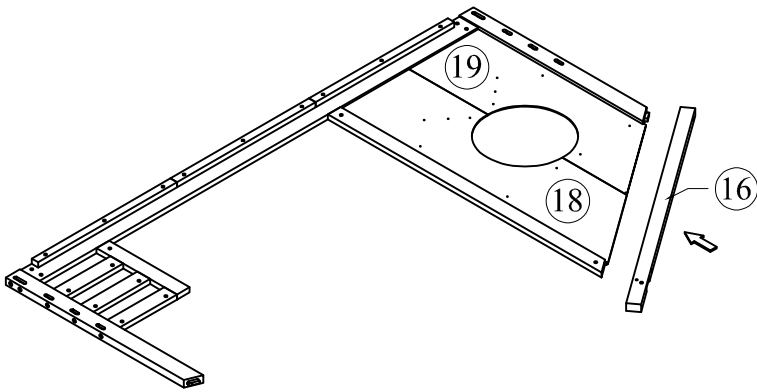
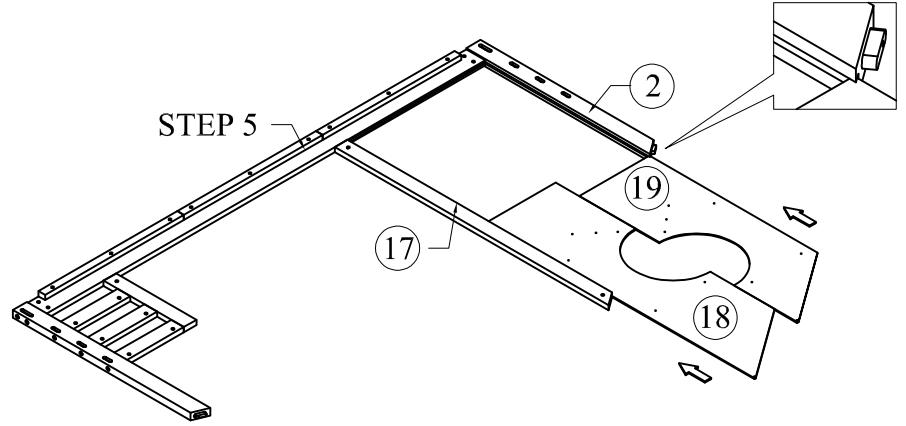
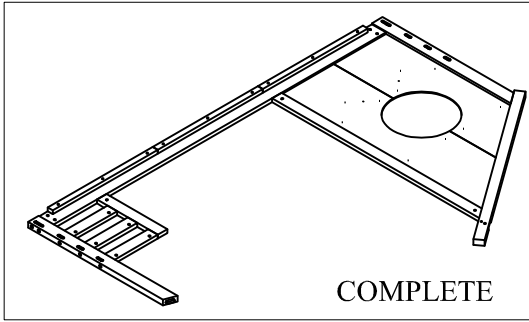
STEP 5

(A)		05
(E)		07
(G)		07





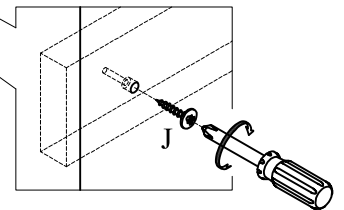
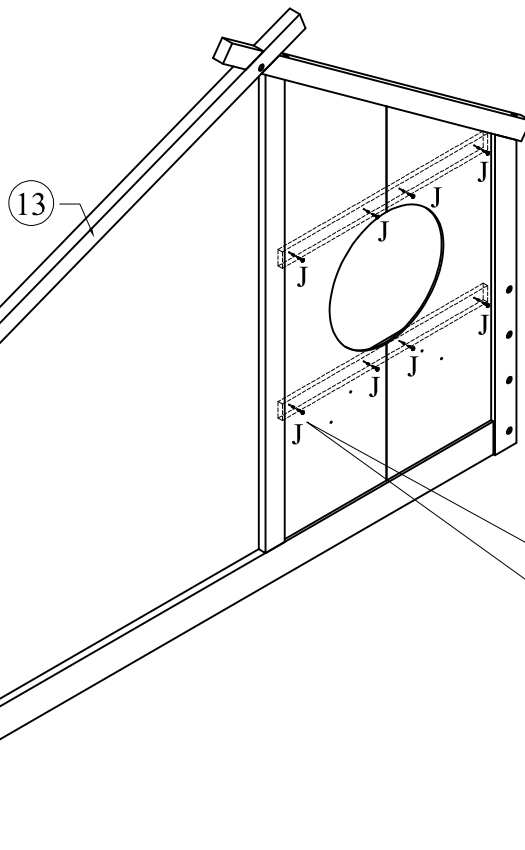
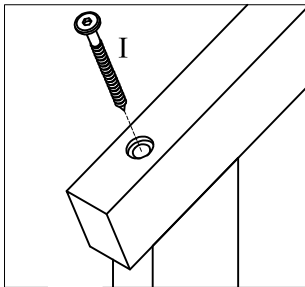
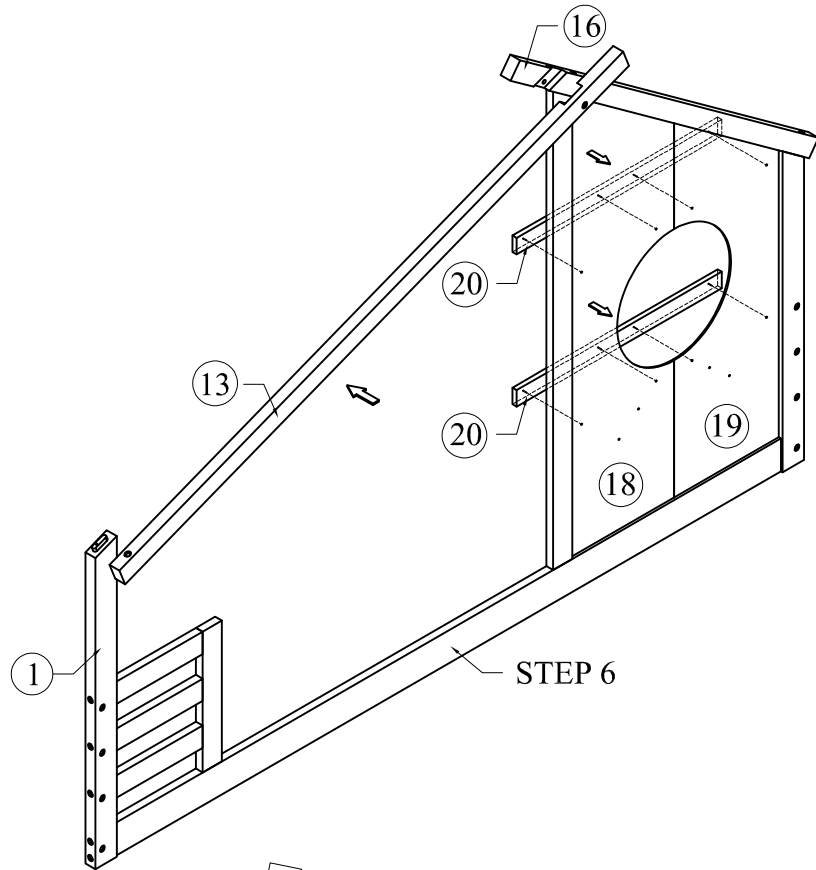
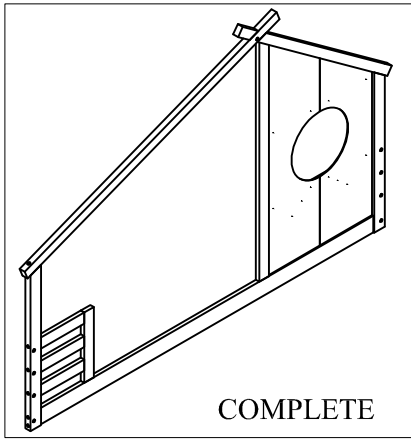
STEP 6

(I)		01
(D)		01
(G)		01

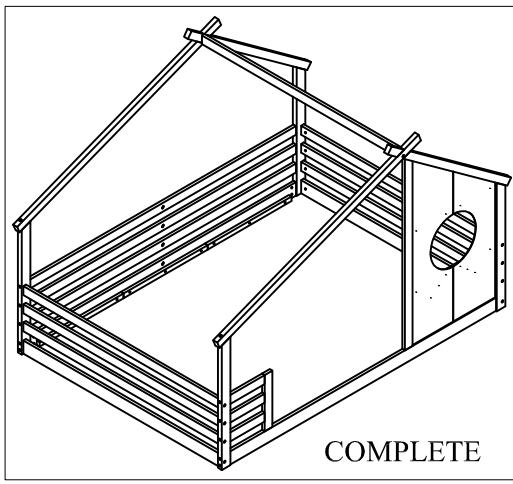


STEP 7

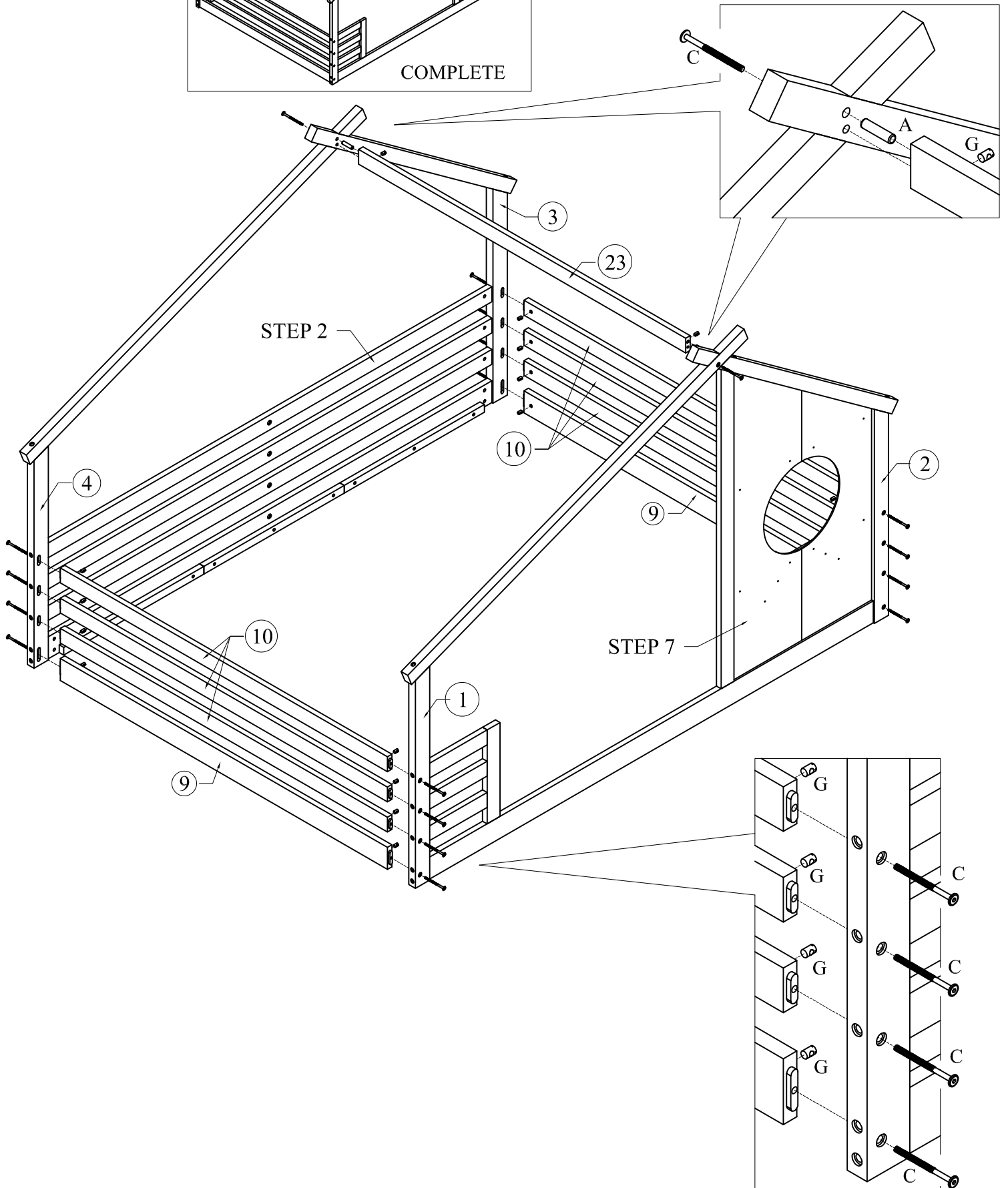
I		01
J		08



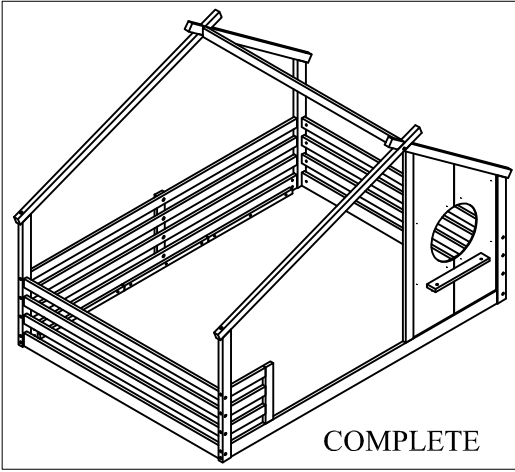
STEP 8






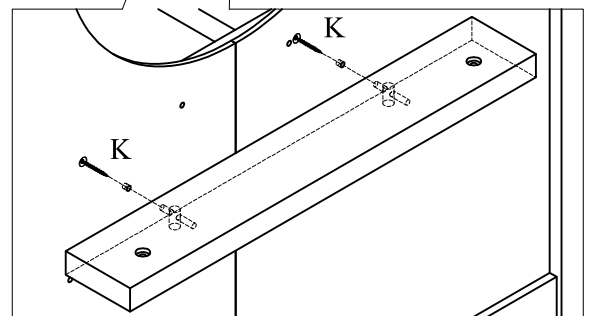
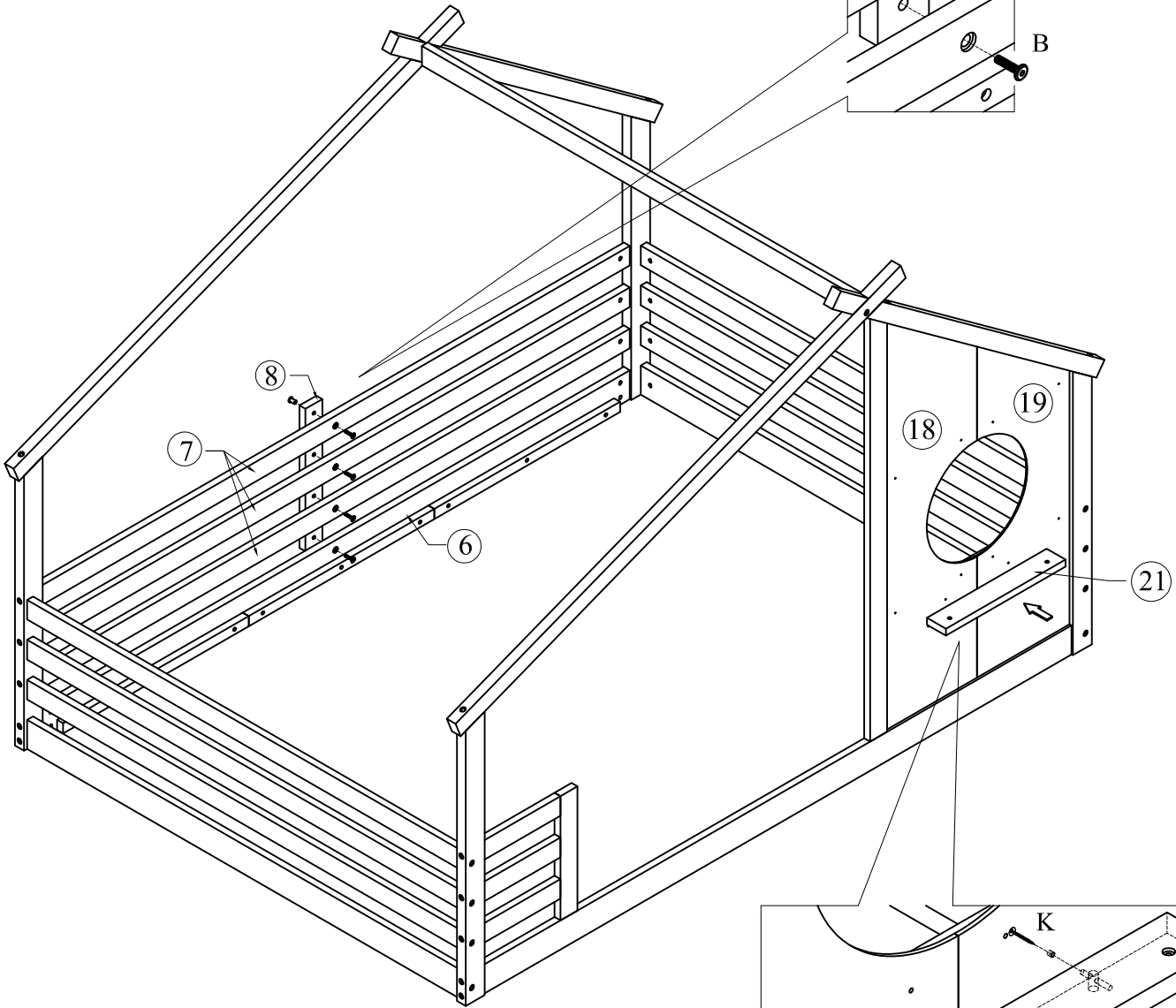
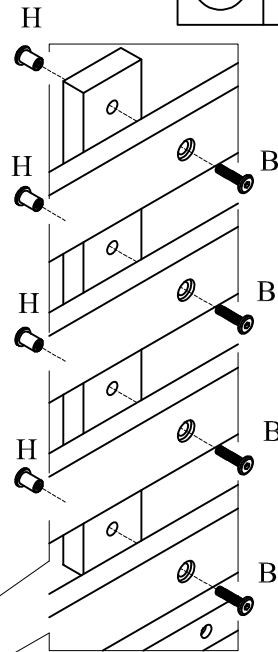
(A)		02
(C)		18
(G)		18






STEP 9

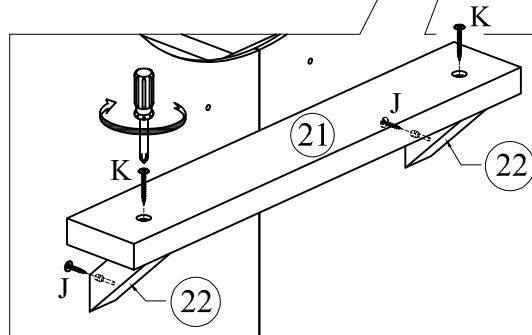
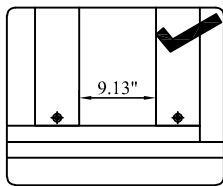
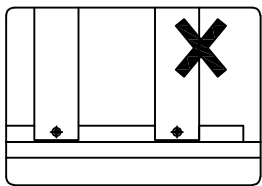
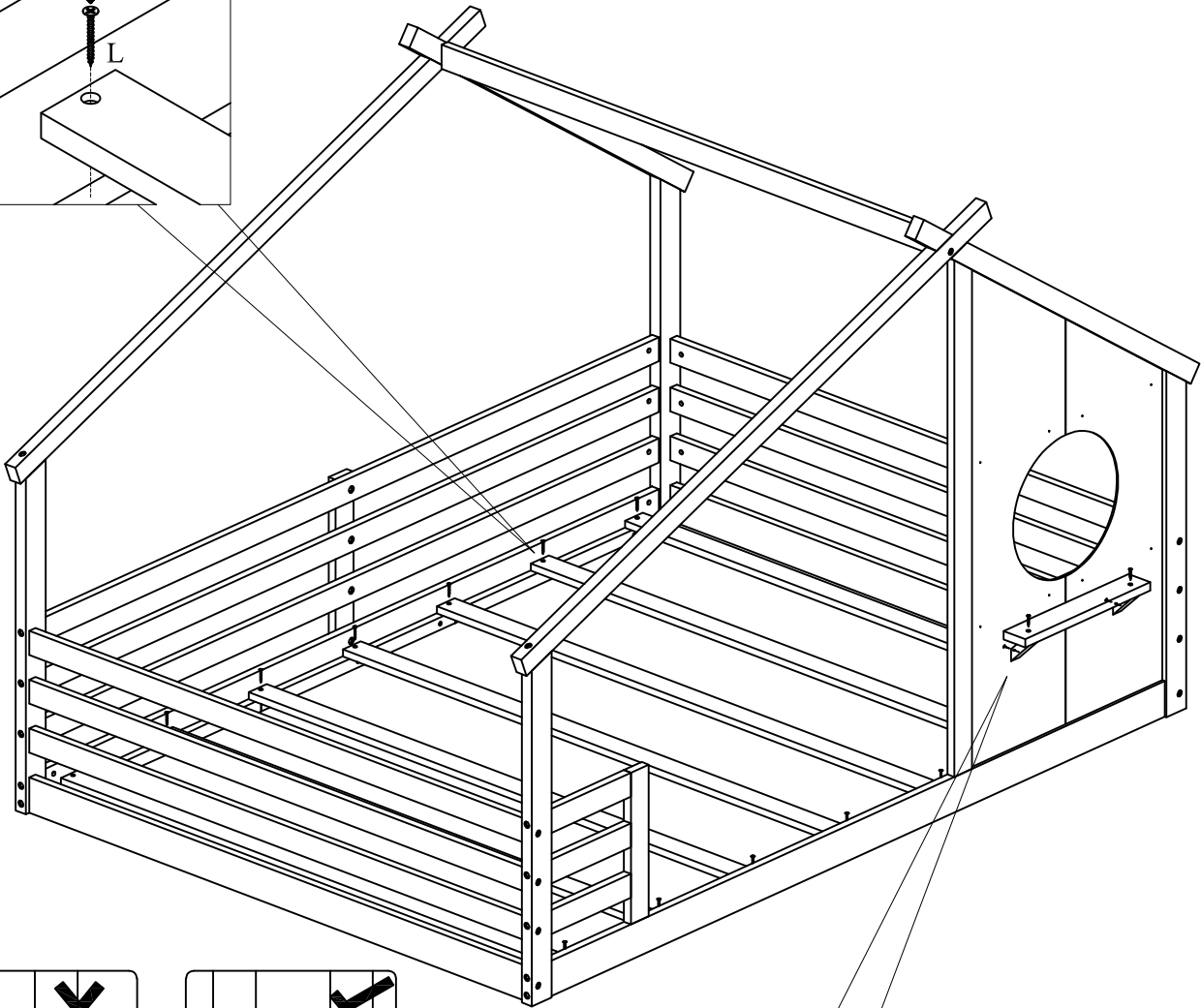
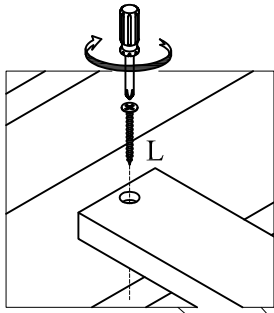


(B)		04
(H)		04
(K)		02



STEP 10

(J)		02
(K)		02
(L)		14



COMPLETED

