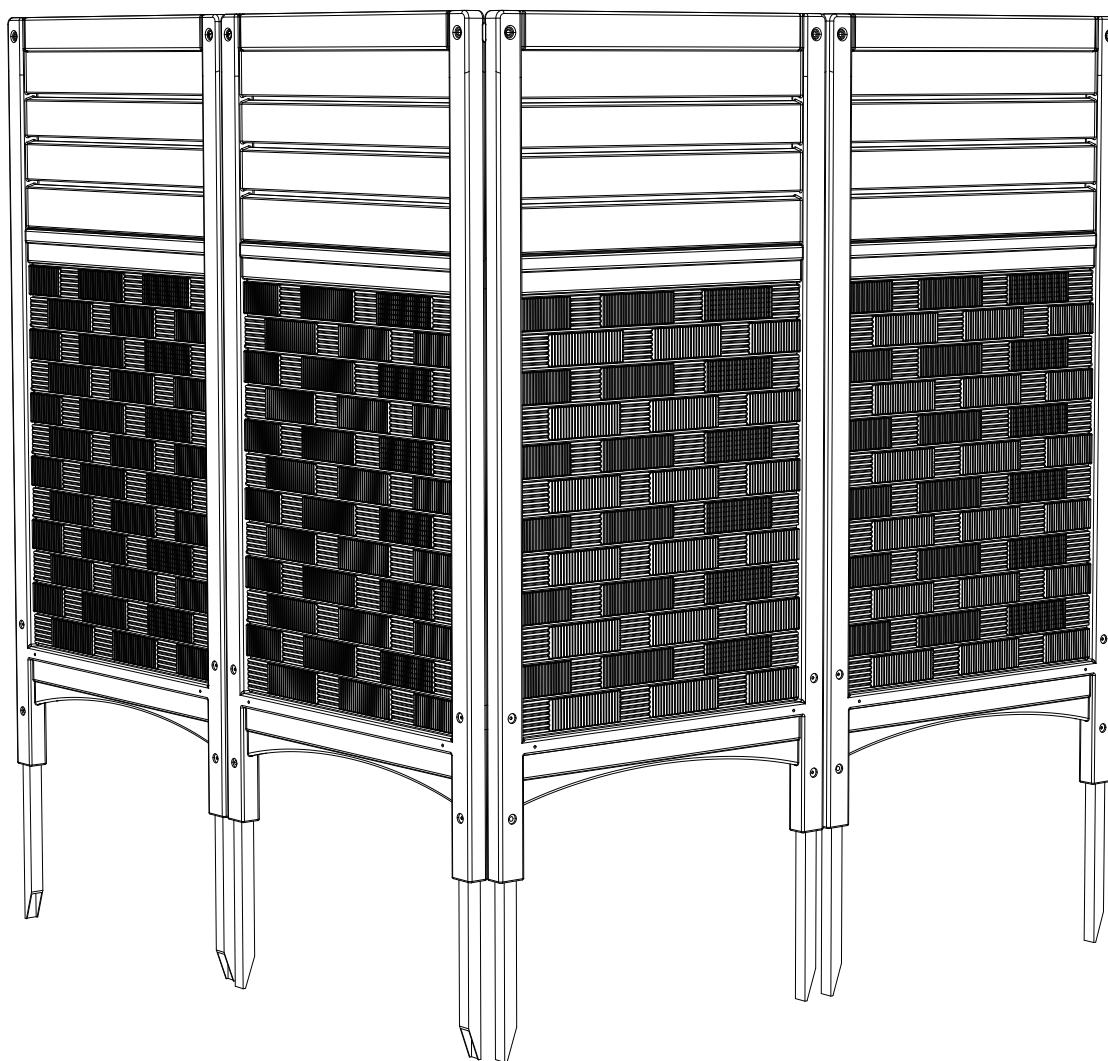


OUTDOOR FENCE

installation instructions



Installation tools



Electric drill
(Not included in the accessory pack)



Rubber hammer
Wooden hammer
(Not included in the accessory pack)



Tape measure
(Not included in the accessory pack)

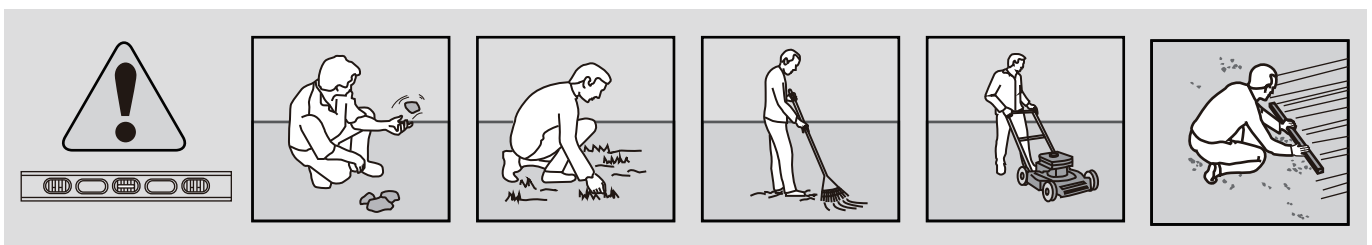


Screwdriver

Matters needing attention

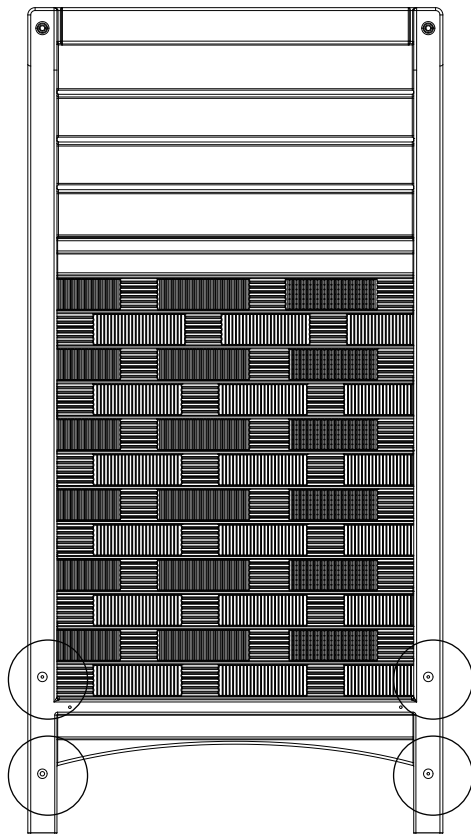
1. Before installation, check the parts according to the parts list to ensure that the parts are not damaged, if you find anything wrong please contact us.
2. Install all accessories according to the installation instructions.
3. Take out the accessories and install them on a horizontal floor.
4. The company does not bear the loss due to the damage of the parts caused by the incorrect installation method, and the customer shall bear the loss.

Horizontal floor

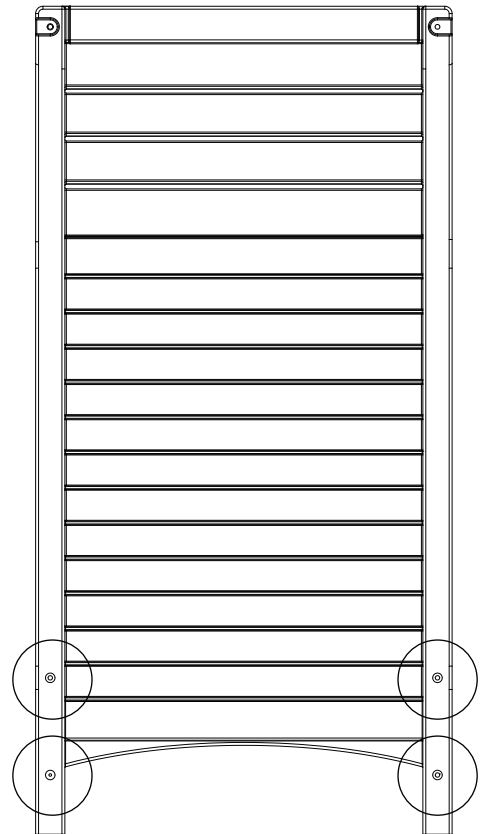


For better installation, please tidy the ground before installation and keep the ground level.

Installation Tips



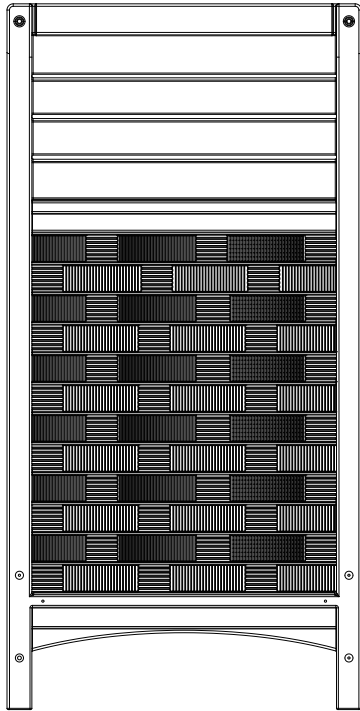
Front



Back

Notes: there are screw fixing holes on both sides of the fences, you can choose to install the screws on the front or back of the fences.

Parts List



Fence

A

4pcs



Metal Stake

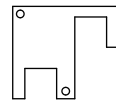
B

8pcs



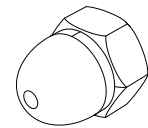
Installation Tool 1

1pc



Installation Tool 2

1pc

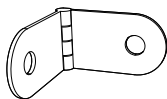


Nut

N1

9pcs

(Sparex1pc)

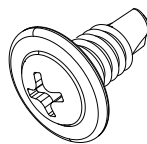


Hinge

C

4pcs

(Sparex1pc)

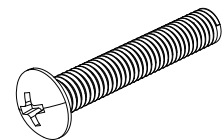


Large flat head
drill screw

S1

M5 × 13 × 18pcs

(Spare × 2pcs)



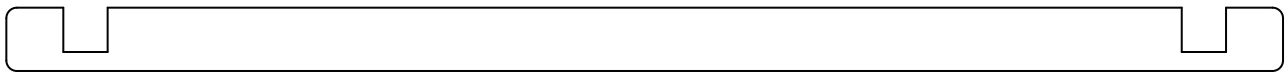
Large flat head
cross bolt

S2

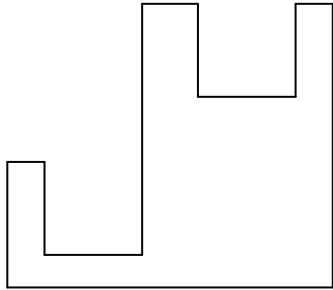
M5 × 30 × 9pcs

(Sparex1pc)

Instruction of Stakes Position Measurement Tools



Stakes Position Measurement Tool 1



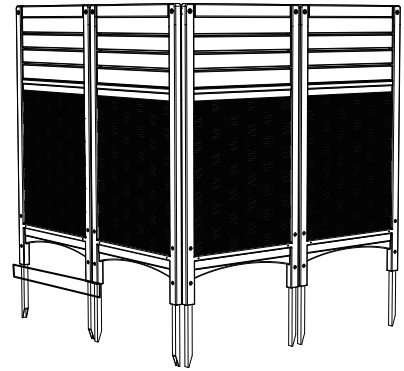
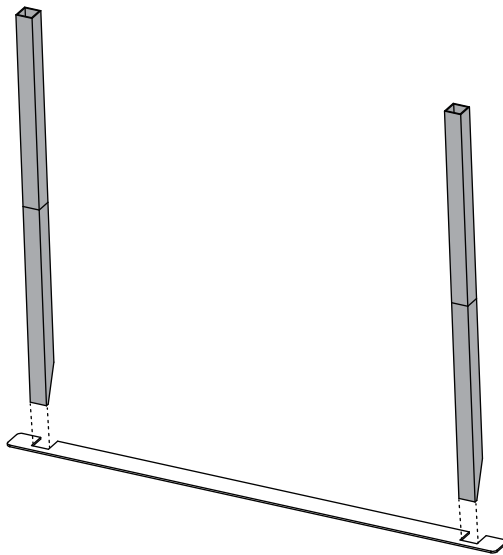
Stakes

Note: The part below the red line of the stakes should be inserted into ground.

Stakes Position Measurement Tool 2

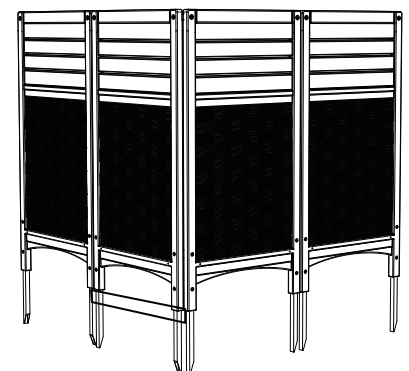
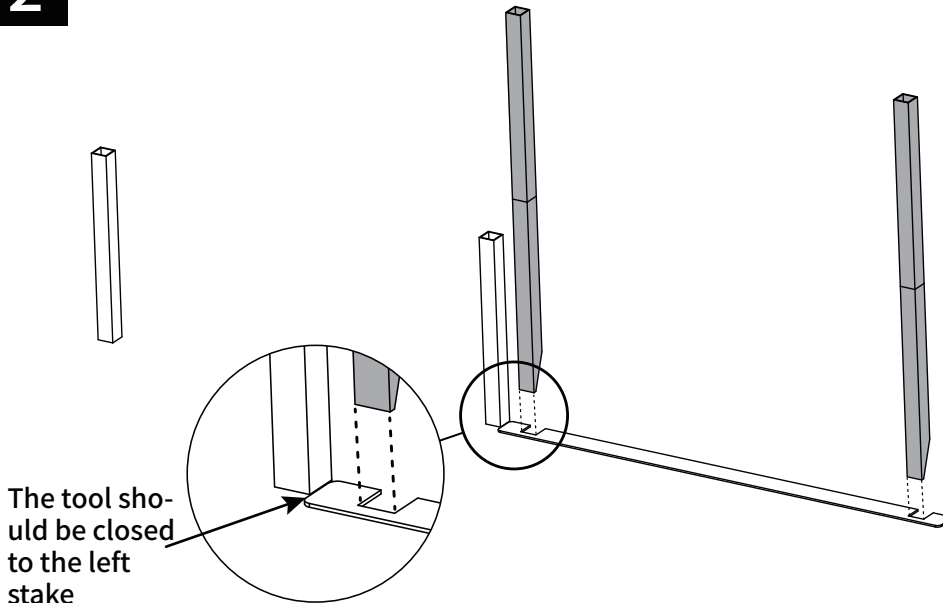
Note : (Installation tools need to be used repeatedly)

1 Instruction of Stakes Position Measurement Tool 1



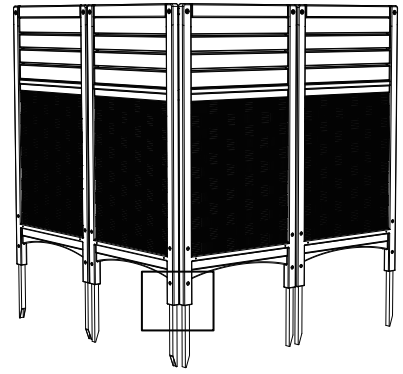
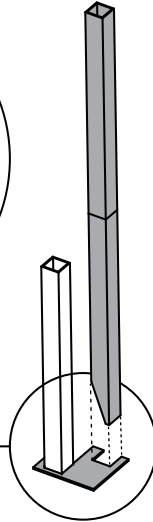
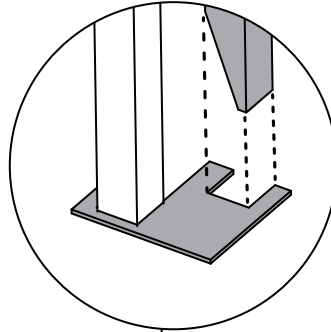
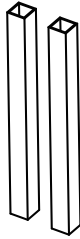
Put the stakes position measurement tool 1 on the ground, and insert the stakes into the space of the tool, please keep the stakes vertically to the ground.

2 Instruction of Stakes Position Measurement Tool 1



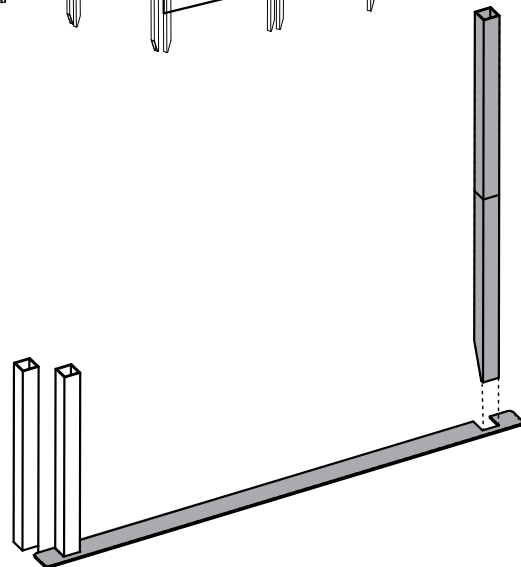
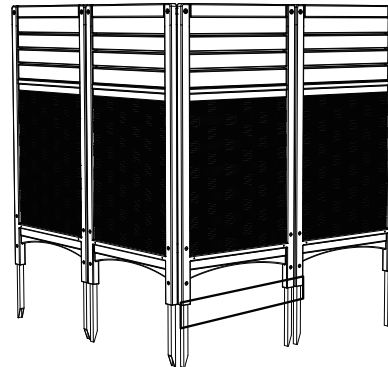
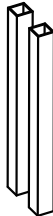
Put the stakes position measurement tool on the ground, and insert the stakes into the space of the tool, please keep the stakes vertically to the ground.

3 Instruction of Stakes Position Measurement Tool 2



Put the left space of the tool stuck on the left stake, then insert the next stake into the right space of the tool, please keep the stakes vertically to the ground.

4 Instruction of Stakes Position Measurement Tool 1



According to different arrangement of the fences, you can reuse the 2 tools to install the stakes.

Please refer to installation instruction of outdoor fence to install the fence panels

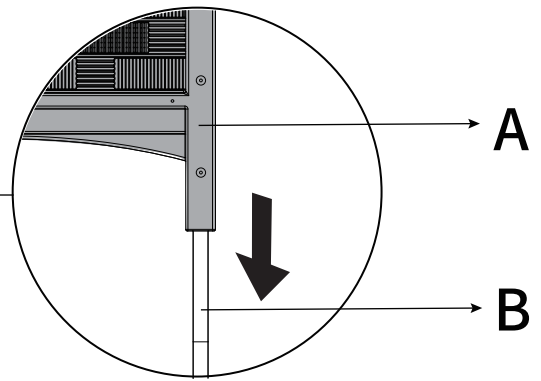
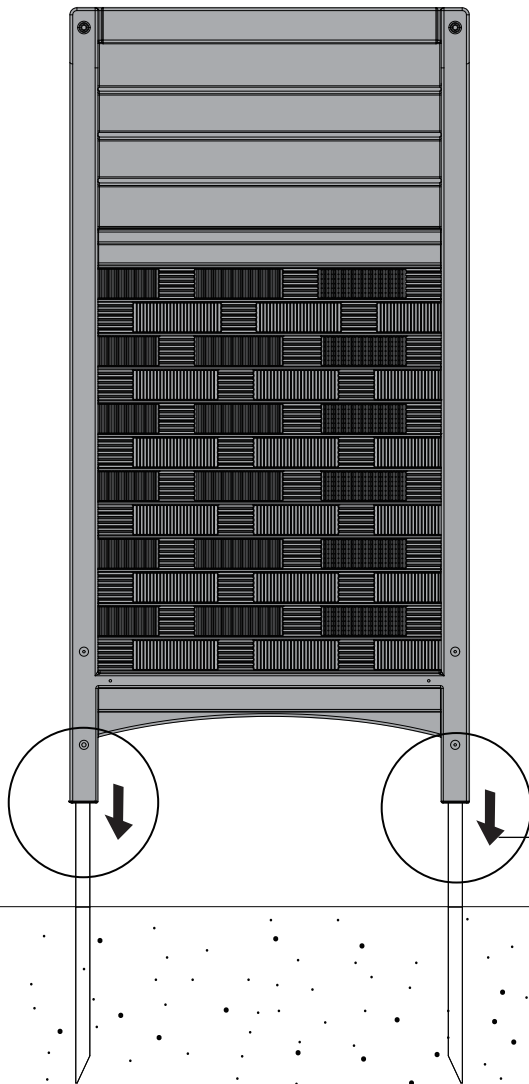
5 Put the fence on the ground from top to bottom.



B × 2pc



A × 1pc



Put the fence on the ground from top to bottom, and the bottom is level with red mark line of the stakes.

6

Fix the fence
with a hinge.



S2 × 2 pcs



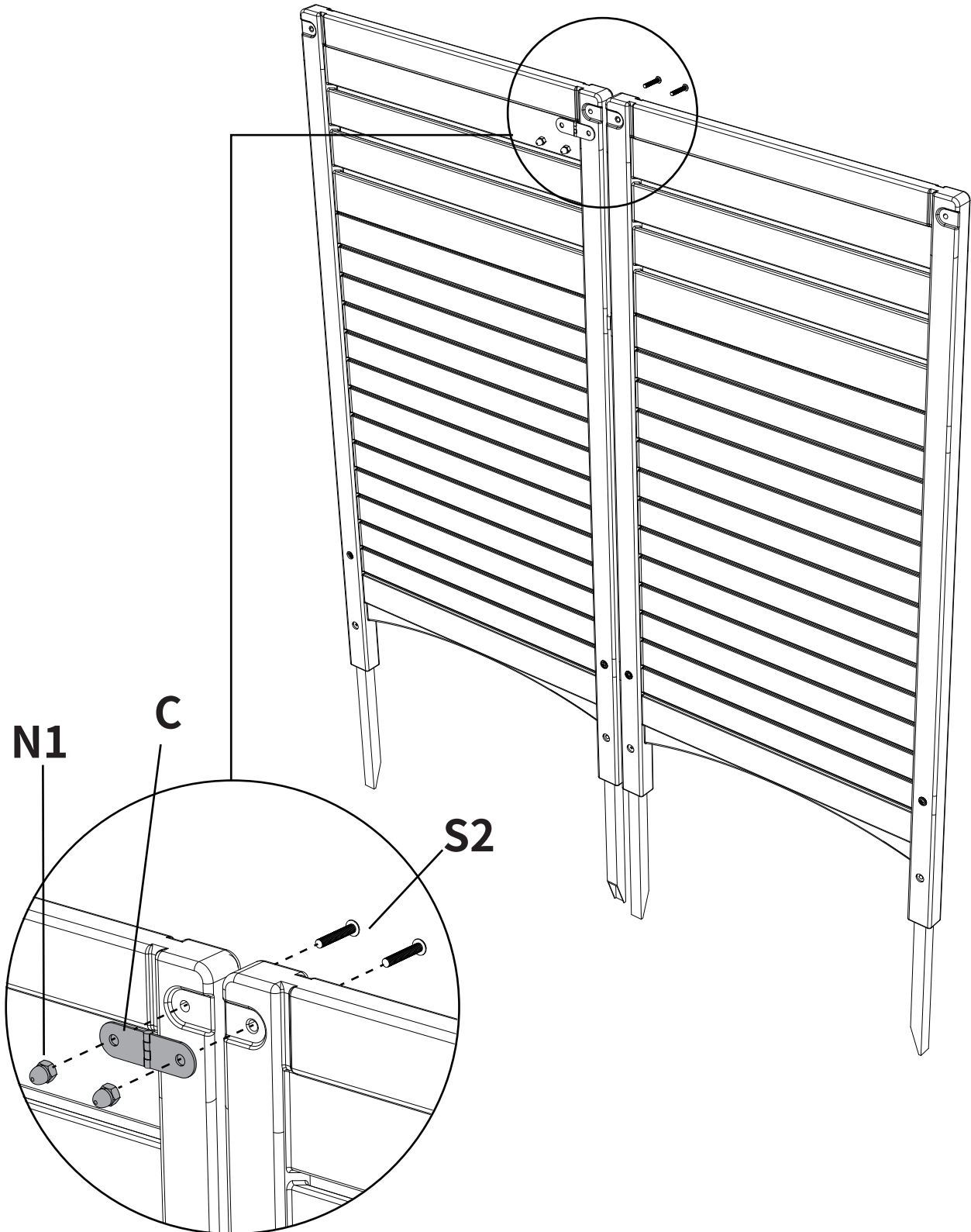
C × 1 pc



N1 × 2 pcs



Please use a manual screwdriver to assemble the hinges to avoid the internal stationary grommet in panels turning.



7

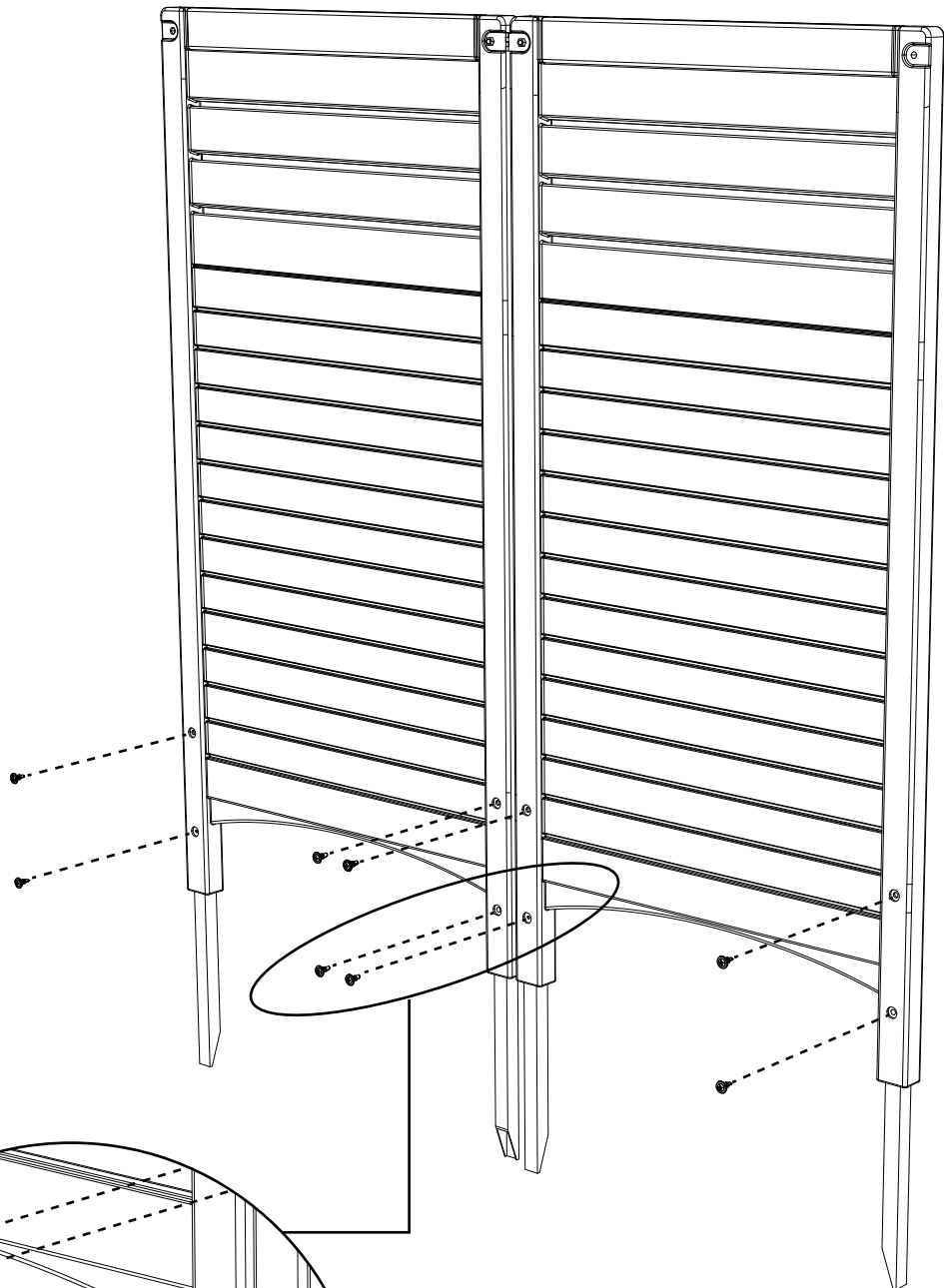
Fix the fence on the stakes with screws.



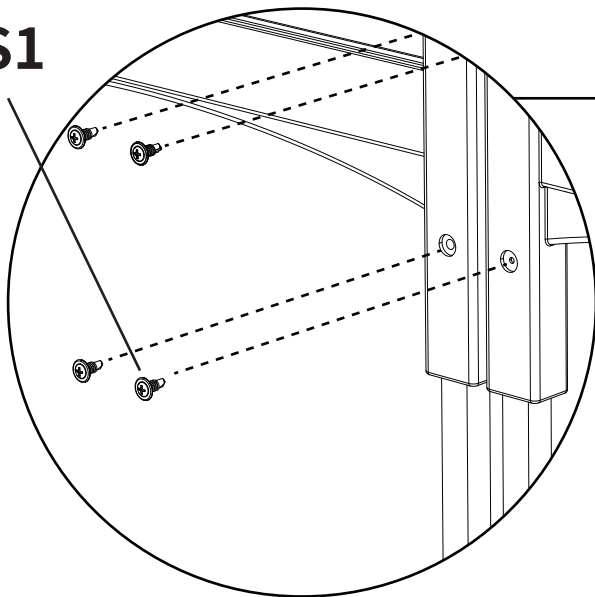
S1 × 8 pcs



Electric drill



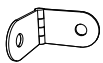
S1



The screws can go through the metal stakes without holes.

8

Repeat step 1~7
to install another
2 fence panels.



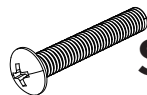
C × 2 pcs



S1 × 8 pcs



Electric drill

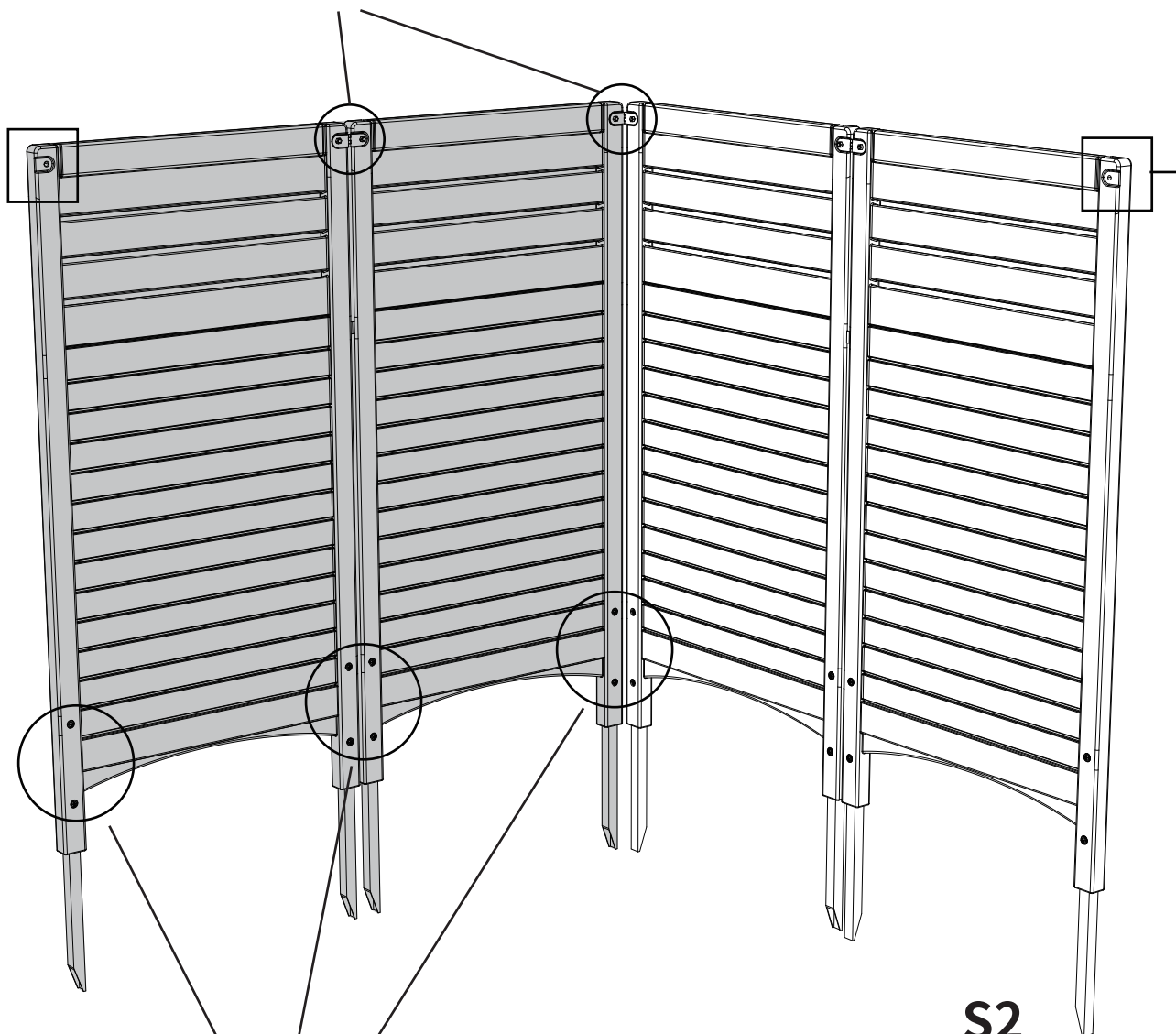


S2 × 6 pcs



N1 × 6 pcs

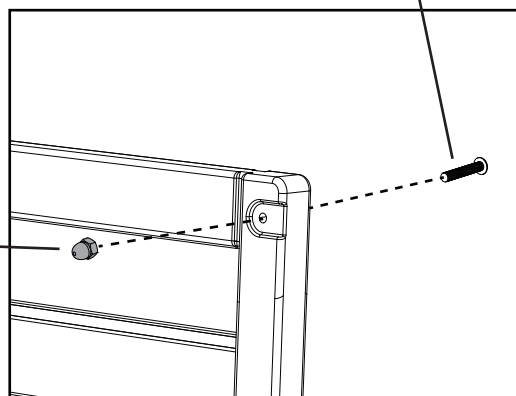
This is fixed by S2



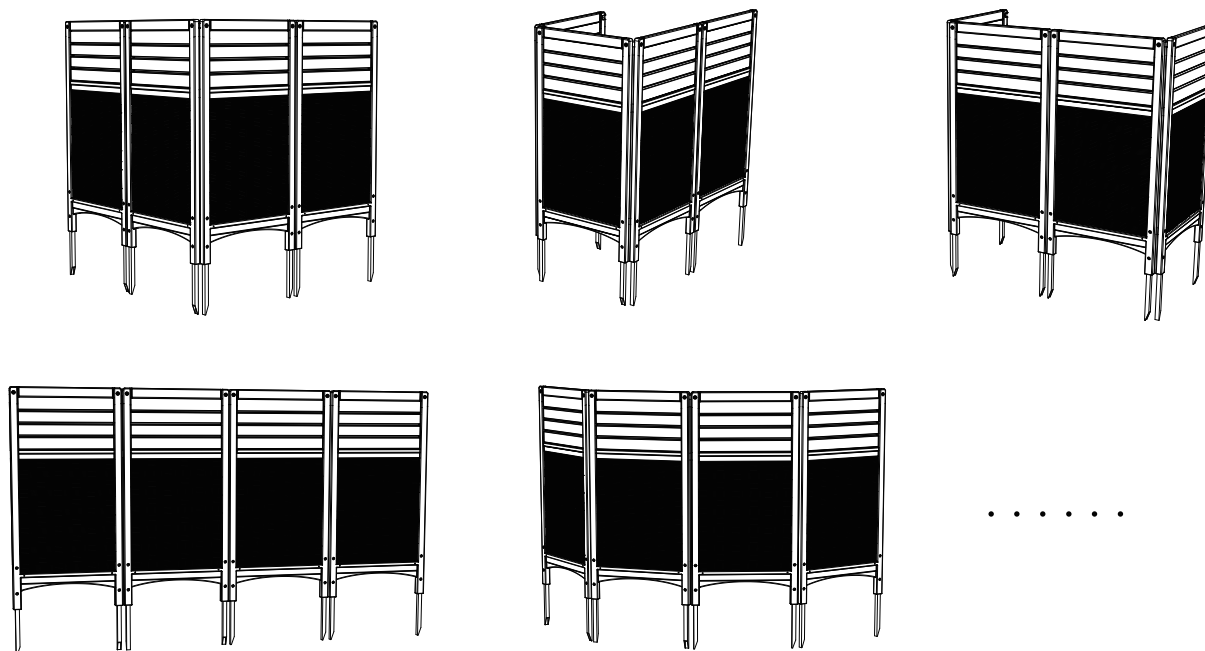
This is fixed by S1

N1

S2



Arrangement mode



Note: The combination mode can be adjusted freely.

Congratulations on your installation!