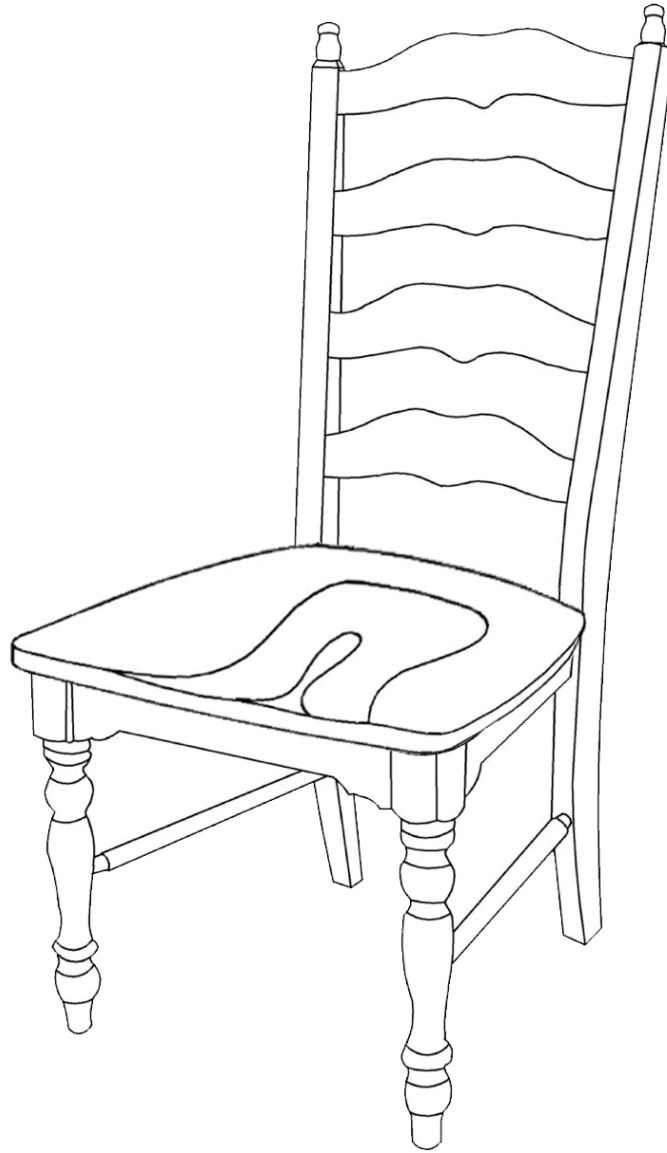


# ASSEMBLY INSTRUCTIONS



Description : LADDERBACK W/WOOD

## BEFORE ASSEMBLY

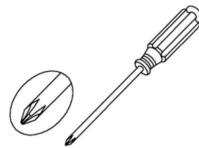
Thank you for purchasing this quality product. This product has been designed for easy assembly and constructed for durability. All parts were checked prior to packaging to insure quality. Prior to beginning assembly, however, make sure all parts and hardware are included and free of obvious defect.

### IMPORTANT NOTE:

- Place all wooden parts on a clean and smooth surface such as a rug or carpet to avoid the parts from being scratched.
- Remove all wrapping material, including staples & packing straps before you start to assemble.
- DO NOT tighten all screws and bolts until completely assembled.
- Keep all hardware parts out of reach of children

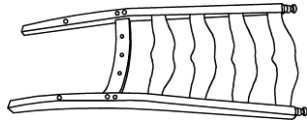
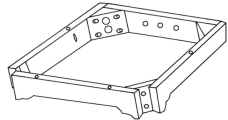

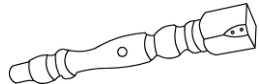
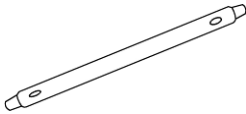
### ASSEMBLY TOOLS REQUIRED

NOT INCLUDED










## PART LIST

When unpacking, please be careful not to discard any parts with the packaging. Before continuing, please make sure you have the following parts:

NO	Description	Qty	Sketch	NO	Description	Qty	Sketch
A	Back	1		B	Seat Frame	1	
C	Seat	1		D	Front Leg (L-R)	2	
E	Side Stretcher	2					

# HARDWARE LIST

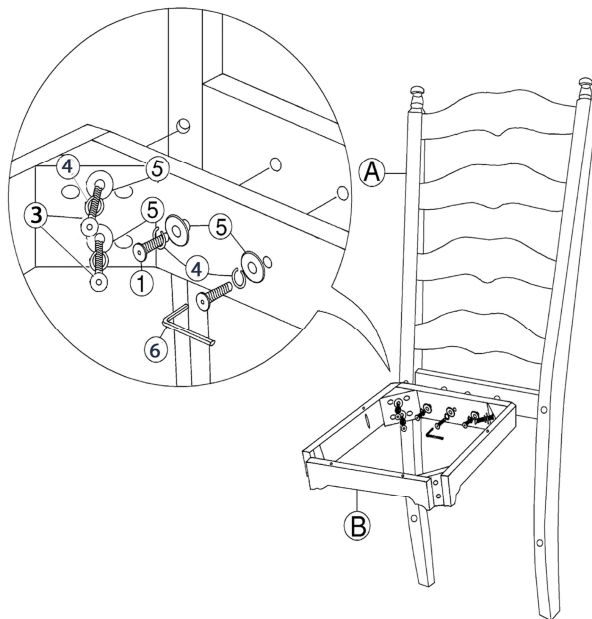
When unpacking, please be careful not to discard any parts with the packaging. Before continuing, please make sure you have all of the following hardware:

NO	Description	Qty	Sketch	NO	Description	Qty	Sketch
1	Short bolt (M6x40mm)	3		2	Medium bolt (M6x60mm)	4	
3	Long bolt (M6x80mm)	4		4	Lock Washer (φ6.5x11mm)	11	
5	Flat Washer (φ6.5x19mm)	11		6	Allen Key (4mm)	1	
7	Screw (M4x35mm)	8					

## STEP 1

Attach seat frame (B) to the back (A) with bolts (1) and (3), washers (5) and (4). Tighten with the Allen key (6) as shown below.

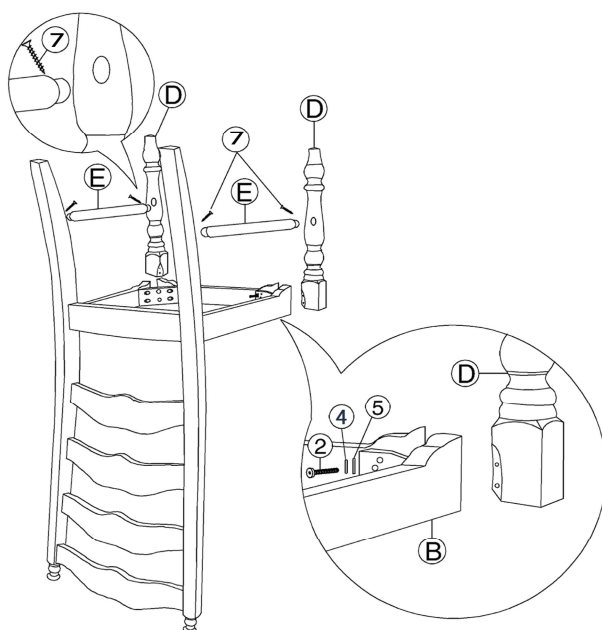
Note: DO NOT fully tighten any of the bolts, until the chair is assembled, then put on a flat level surface to make sure the chair is level and then tighten the bolts.



## STEP 2

Attach front legs (D) to the seat frame with bolts (2), washers (5) and (4). Tighten with Allen key (6).

Attach side stretchers (E) to front and back legs with screws (7). Tighten with a screwdriver.



## STEP 3

Attach seat (C) to top of the seat frame (from Step 2) with screws (7). Tighten with the screw driver

