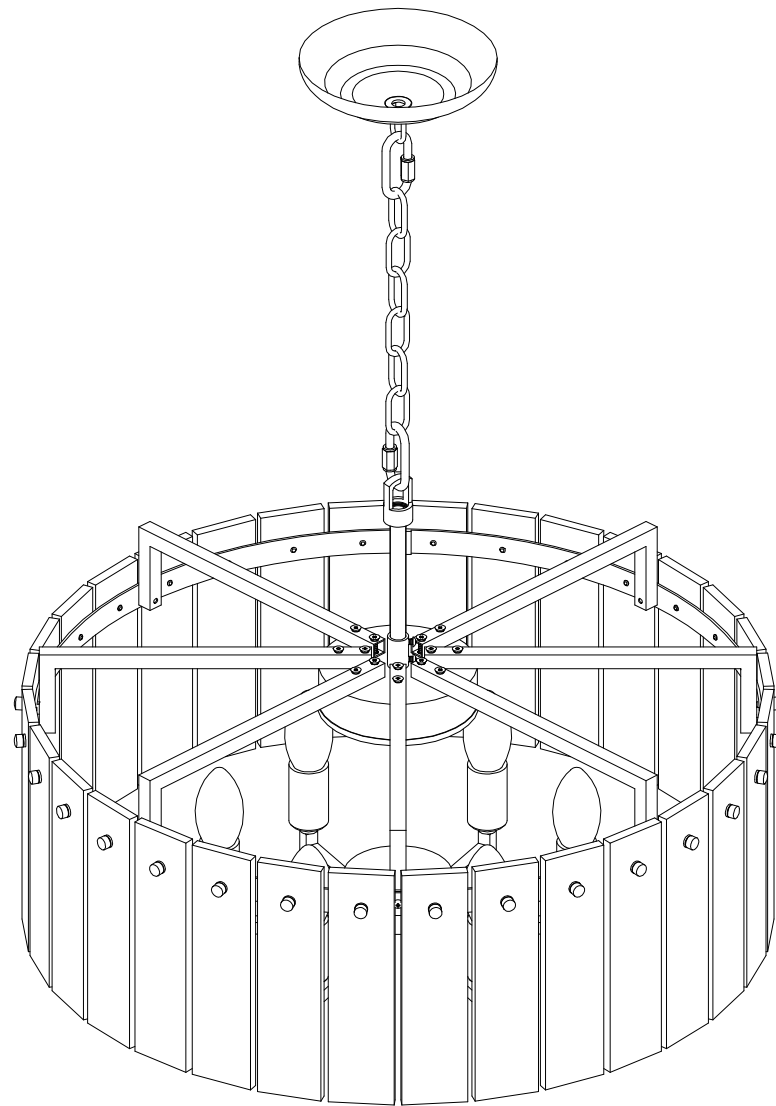


outline drawing:



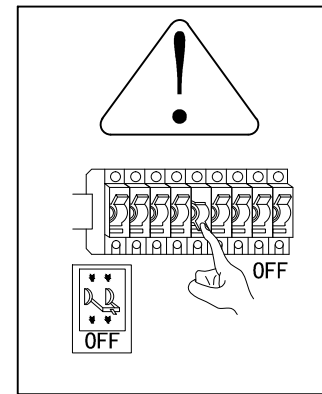
model:

Technical data: Power supply voltage 110-120V, bulb type E12Max40Wx6PCS (not included)

CAUTION



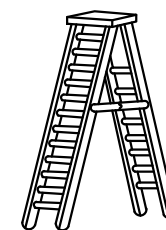
- Before installing the lighting fixtures, please check the insulation of the wires for any cuts, wear, or possible damage during transportation. If the wires are defective, do not attempt installation .
- In some countries, electrical installation work can only be carried out by authorized electrical contractors. Please contact the local power department for advice.



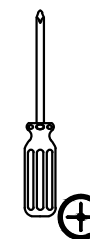
IMPORTANT Before starting the installation work, please make sure to cut off the power supply to the circuit.

IMPORTANT Keep children away from the installation process .

Required tools (not included):



Ladder



Phillips screwdriver



pincers

Required tools (including):

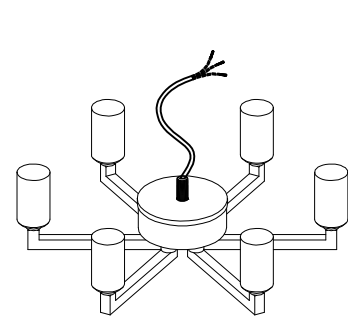


expansion screws

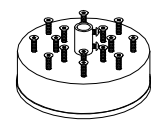


glove

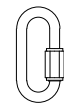
The hardware kit provides:



Lights+Ancient



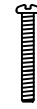
Deng Gu



carabiner



mounting screw



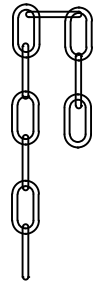
Hanging plate screws



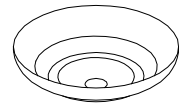
ring



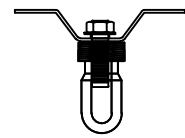
CONNECTORS



sling chain



tray



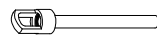
Installation board



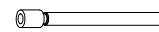
L-shaped square row



Glass shards
-32 pieces



External dental
canal



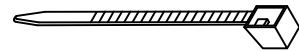
Middle tube



Tooth cap-32pcs



Flat hat



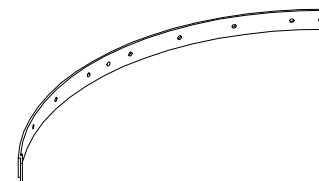
cable tie



Gecko rubber stopper



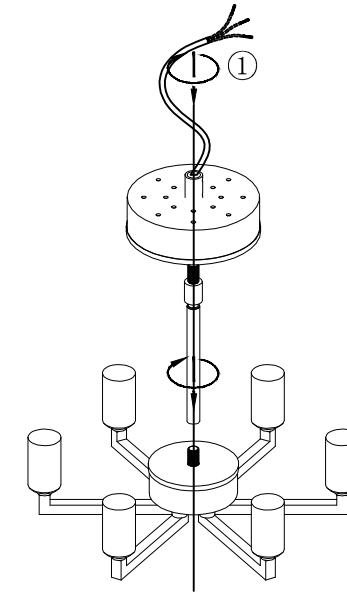
Self tapping screws



decoration

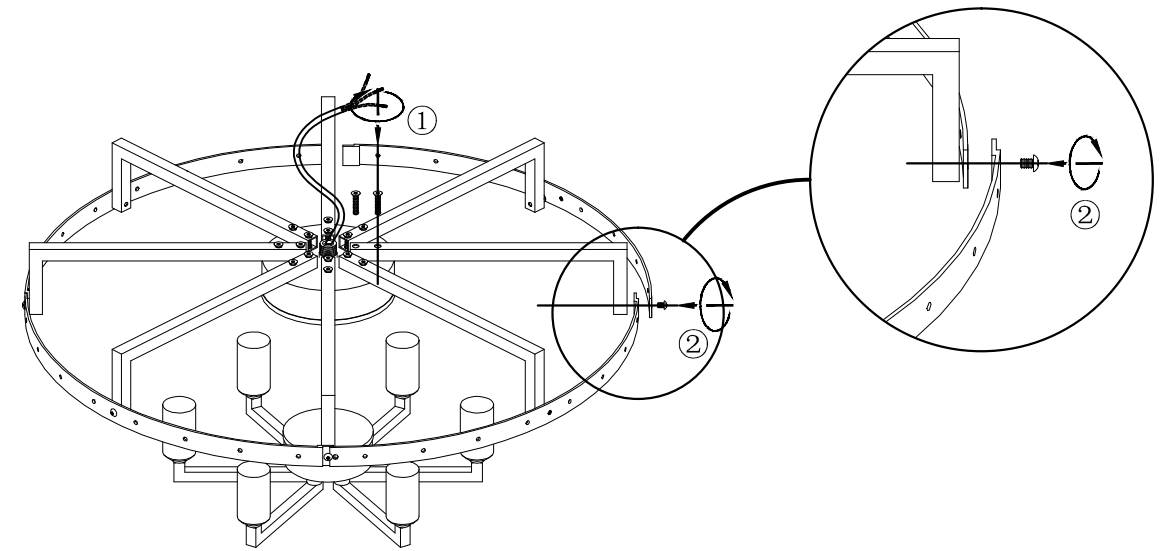
• The components displayed on each lamp may vary slightly

步骤1



① First, unscrew the screws on the antique and store them in a box to prevent loss. Then, tighten the connection between the lamp antique, middle tube, and lamp to the antique.

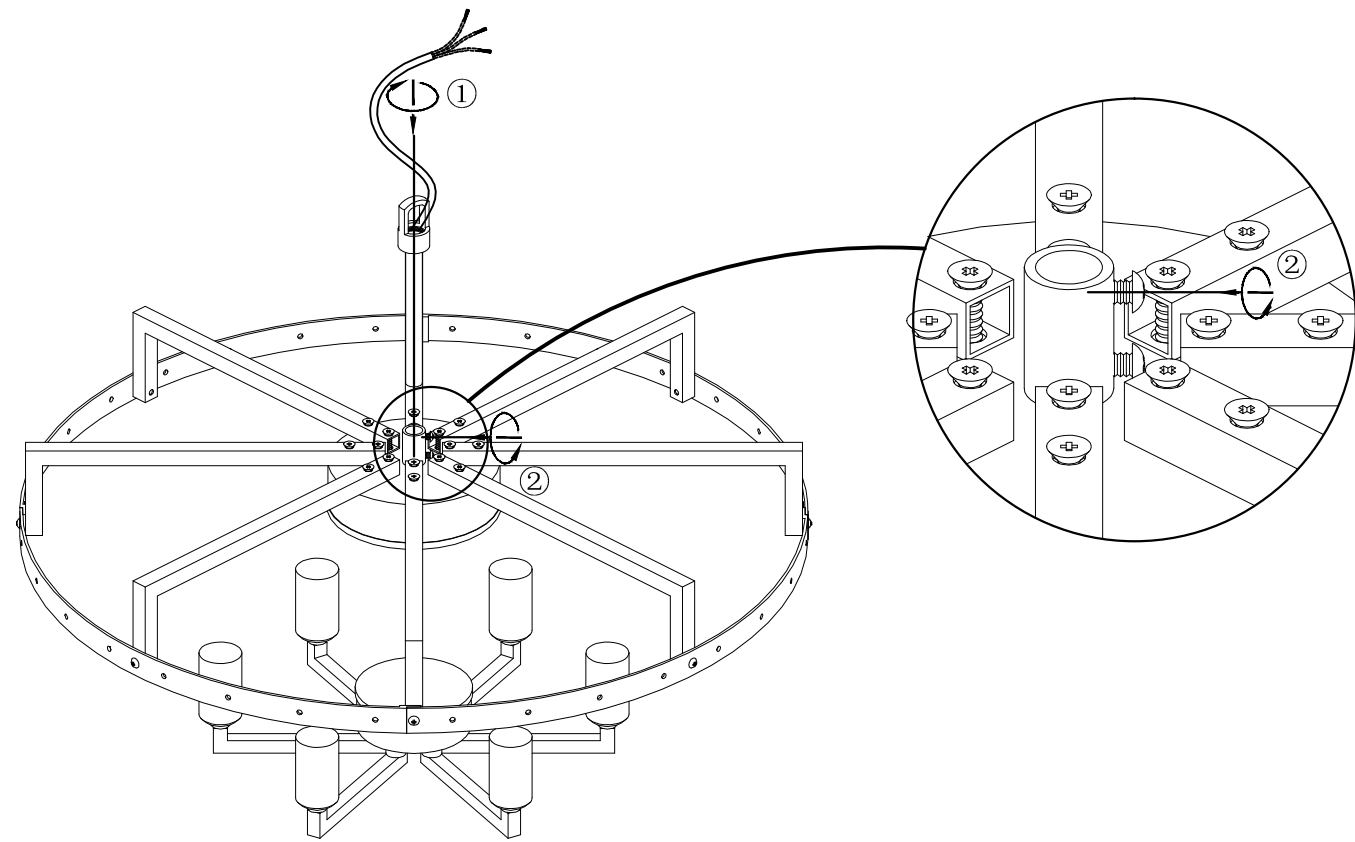
步骤2



① Do not tighten the screw until it passes through the hole in the L-shaped square and connects to the tooth hole in the lamp; (Note that in the next step, tighten step 2 first, and then tighten the screws in step 1). For the remaining installation, refer to the steps.

② Tighten the screw through the hole in the decorative piece and connect it to the tooth hole of the L-shaped square row. For the remaining installation, refer to the steps.

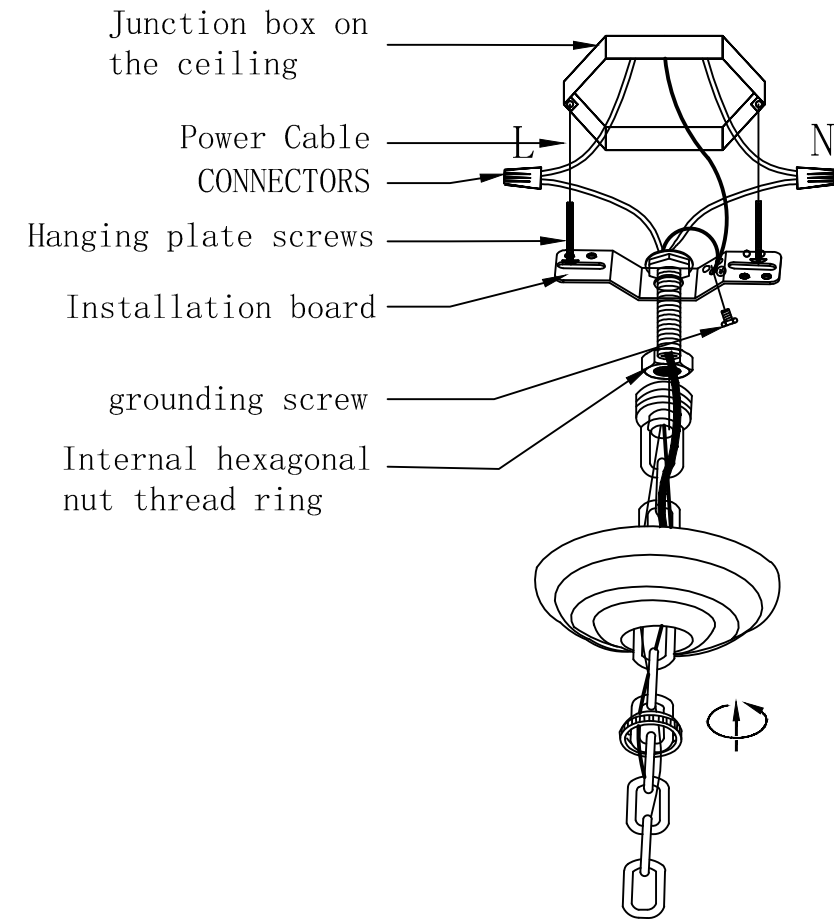
步骤3



① Twist one end of the external tooth tube onto the lamp and connect it to the mother, then tighten the connection.

② Tighten the safety screw on the connector.

Step 4



① Thread all the wires through the canopy and installation kit.

② Connect the power cable with two cable connectors.

③ Connect the grounding wire and tighten it with the grounding screw.

④ Install the fixing screws into the mounting plate, install the installation unit under the junction box, and tighten with two mounting screws.

⑤ Fix the canopy in place using a suspension ring. Tighten the screw ring and hex nut with a wrench to tighten the hex nut.

⑥ Tighten the fixing screws on the rain shelter holes.

⑦ Swivel the lid onto the canopy.

White or smooth fixed line

White power supply line

Black or smooth fixed line

Black power supply line

Connect the black or red wire (with an L sticker on the wire) to:	Connect the white wire (with N stickers on the wire) to:
black	white
Parallel lines - pti&l (circular and smooth)	Parallel lines - spri&l (square and ridge shaped)
Transparent, brown, gold or black (without tracer)	Transparent, brown, gold or black (with tracer)
Copper core insulated wire (excluding GREEN)	Silver conductor insulated wire (excluding GREEN)

dimple

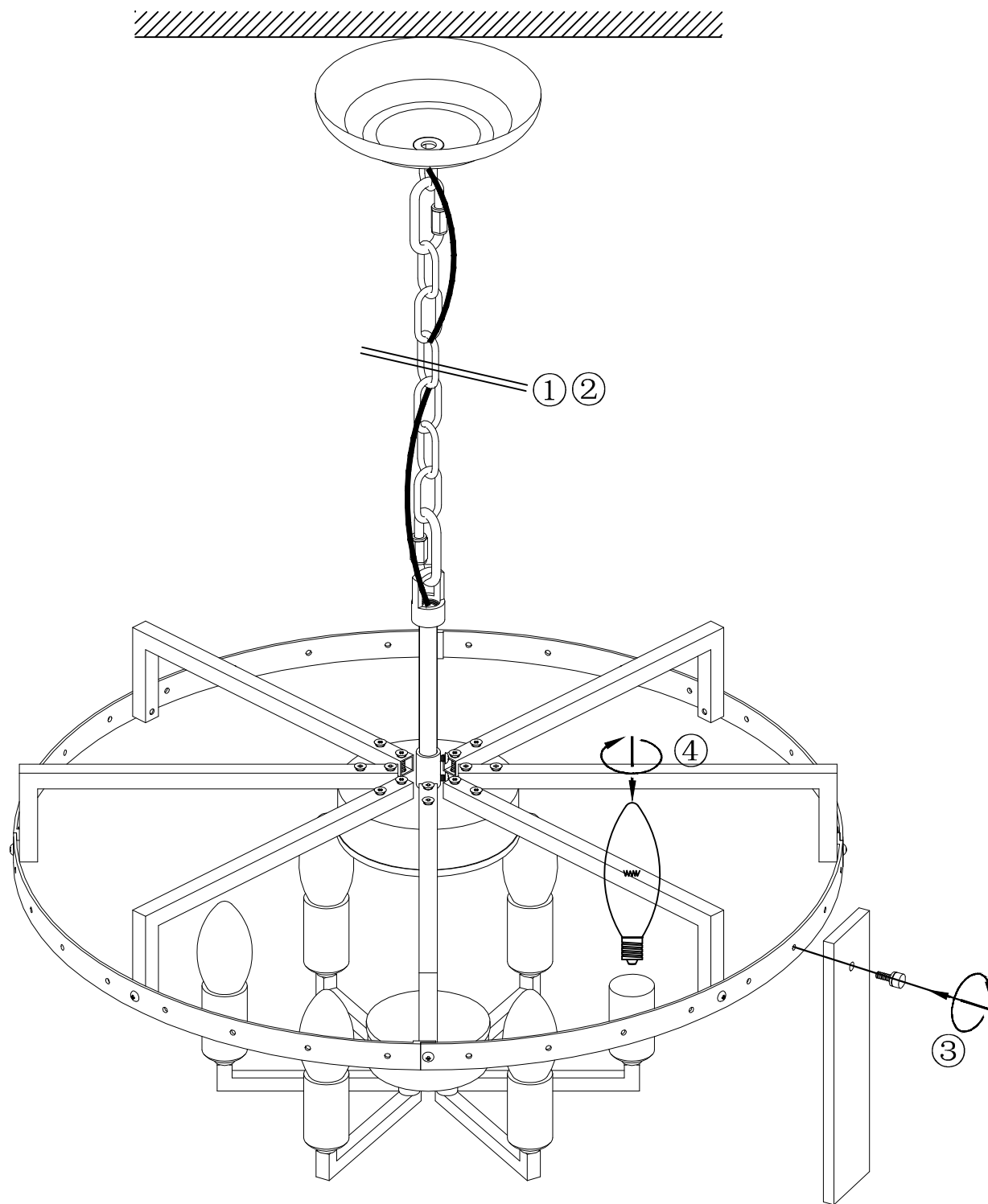
foundation bolt

Grounding wire of junction box

Fixture grounding wire

Step 5

Kind reminder: Before installing the crystal, please clean it thoroughly .



①② This depends on the height of your ceiling and the desired suspension length. You can measure the chain and adjust the locking buckle to achieve the desired chain length.

③ Thread the capped full tooth rod through the holes on the glass sheet and tighten the tooth holes on the decorative sheet.

④ Tighten the bulb (E12 maximum 40W, not included).