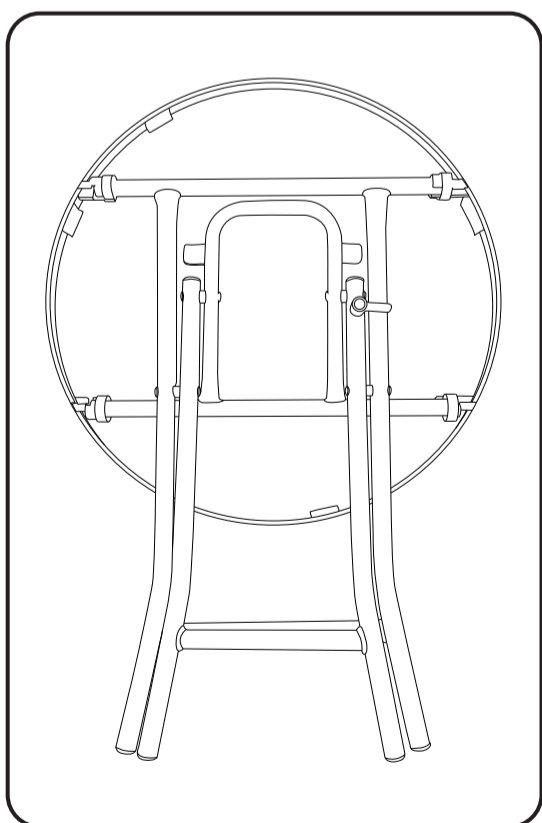


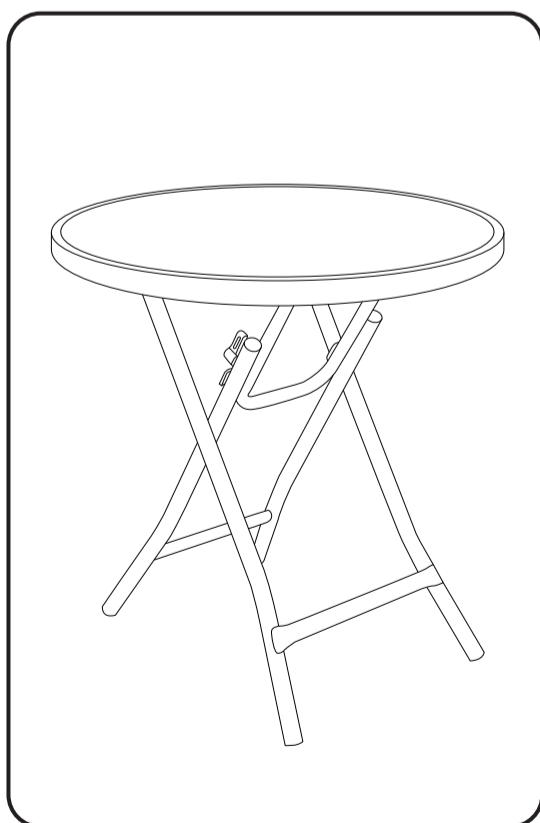
Foldable Round Table



Part & Accessories



Folded

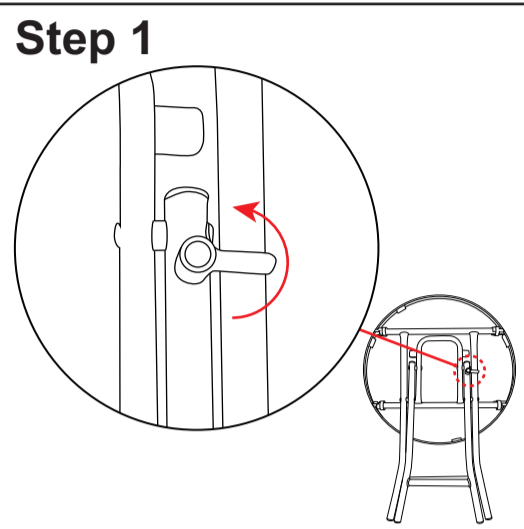


Expanded

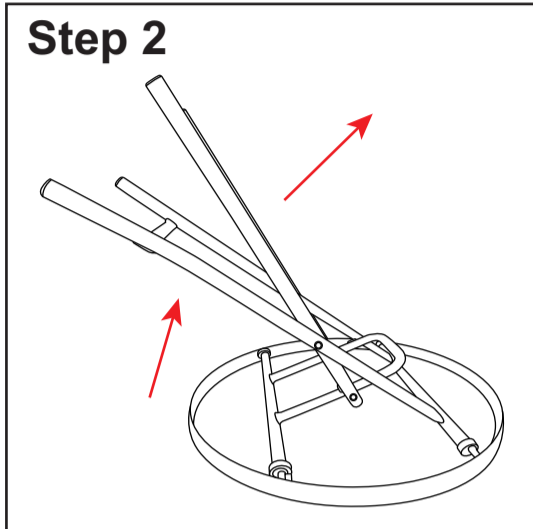
Care & Maintenance

1. This foldable table is ideal for indoor and outdoor events and parties.
2. This foldable table comes ready to use right out of the box, no assembly required.
3. Keep the table away from fire; do not use it outdoors during extreme cold and heat, and severe weather like rainy, windy, snowy days, and hailstorms, etc.
4. This foldable table is suitable for everyday use, try not to step on it to avoid the threat of improper use.
5. It is recommended to clean the table after use.
6. Check that all assembly fasteners are properly tightened when unused for long periods of time and retighten if necessary.

SET UP



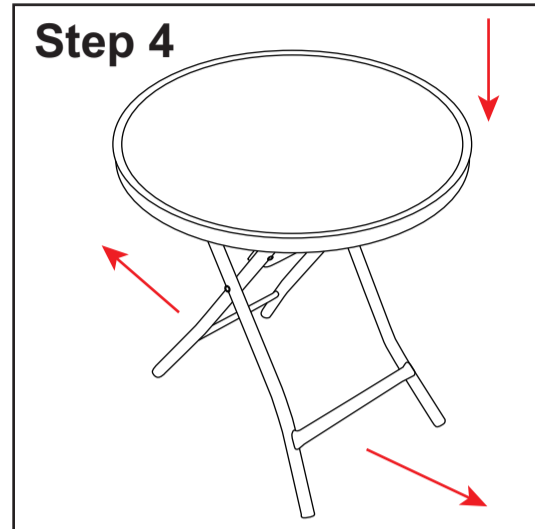
Step 1
When the table is flat on the floor, rotate the corresponding lever as shown in the example.



Step 2
Start by pulling up the legs that connect the two sides of the table top and spread them in the direction of the arrows.



Step 3
After the legs are fully extended, lay it flat.



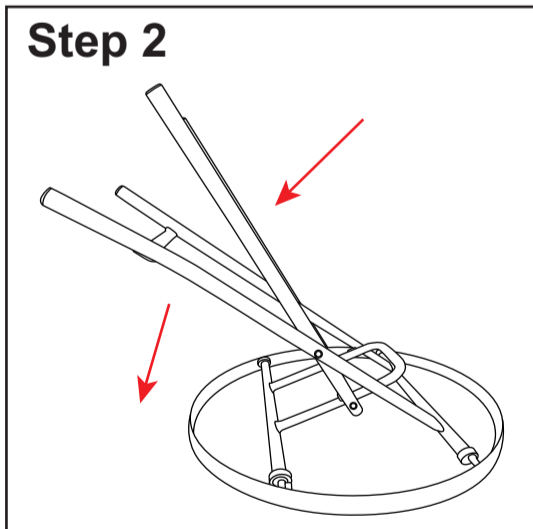
Step 4
After opening the table, press in the direction of the arrow in the manual to make the table more stable to support daily use.

3

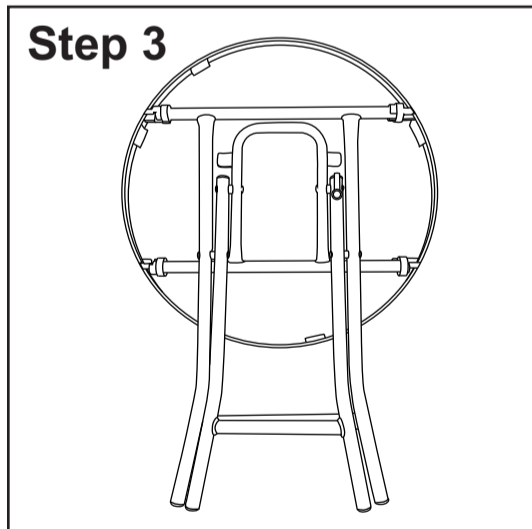
TAKE DOWN



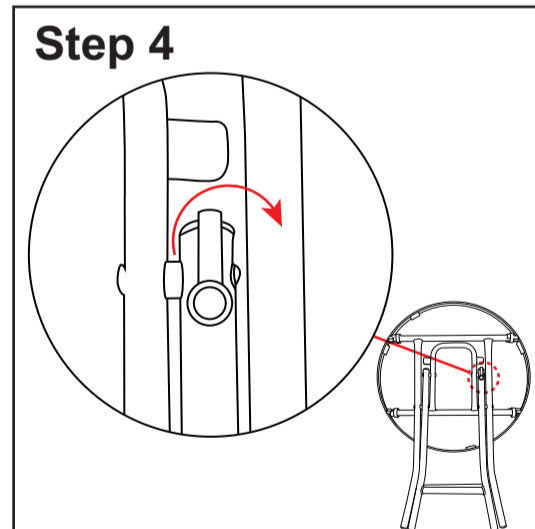
Step 1
Folding table in fully expanded state.



Step 2
When folding the folding table, follow the direction of the arrow.



Step 3
Lay the table on the floor after folding.



Step 4
When the table is folded on the floor, rotate the corresponding lever as shown.