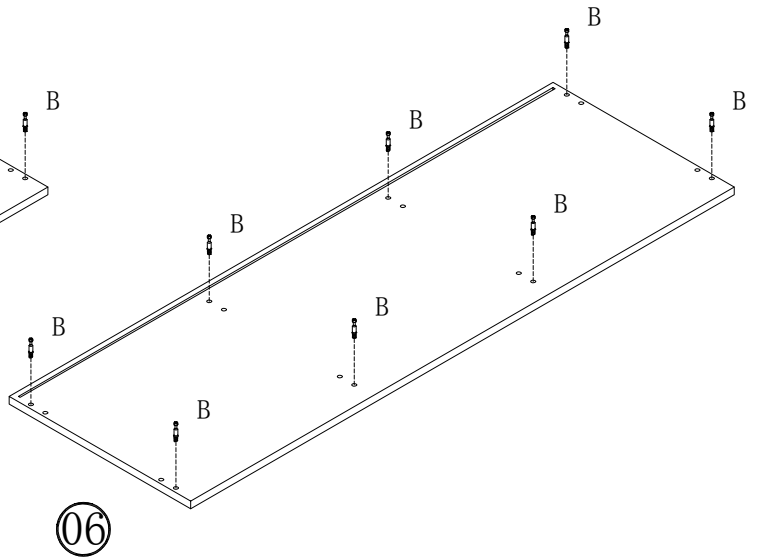
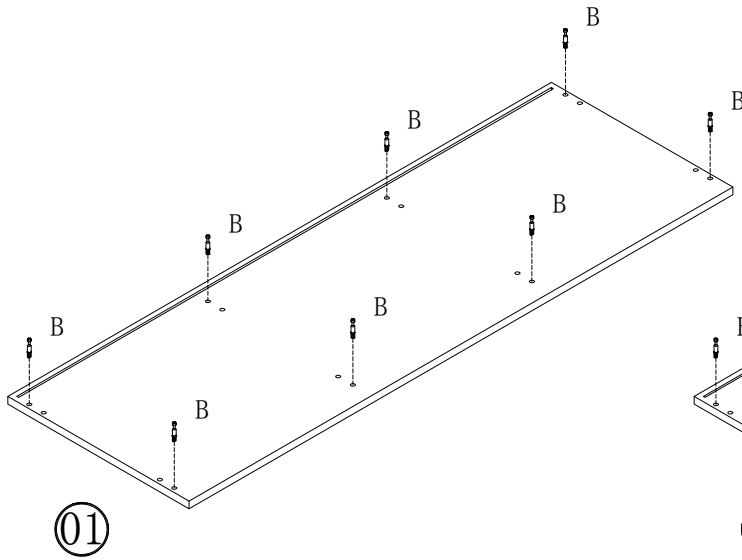
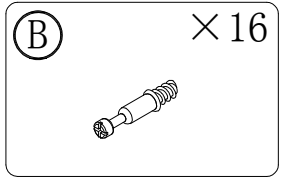
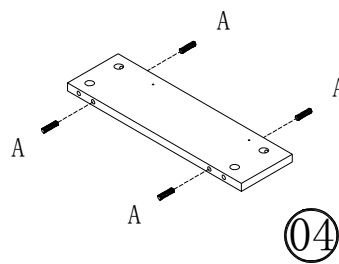
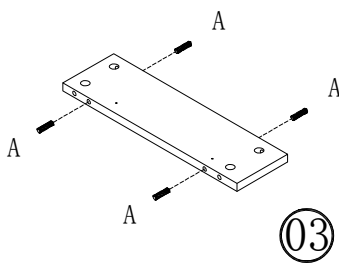
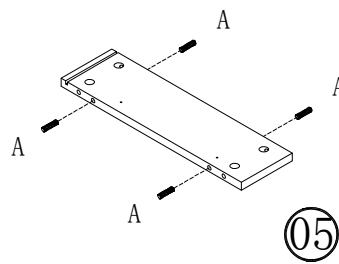
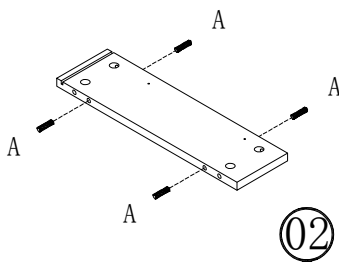
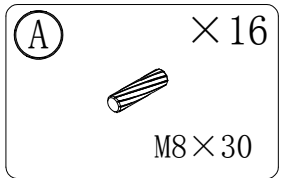


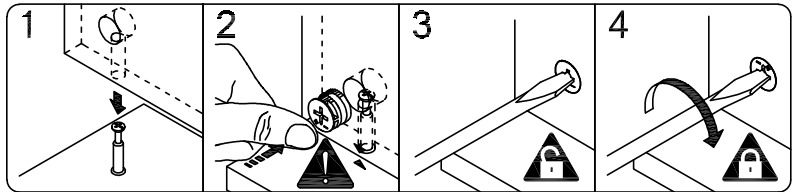
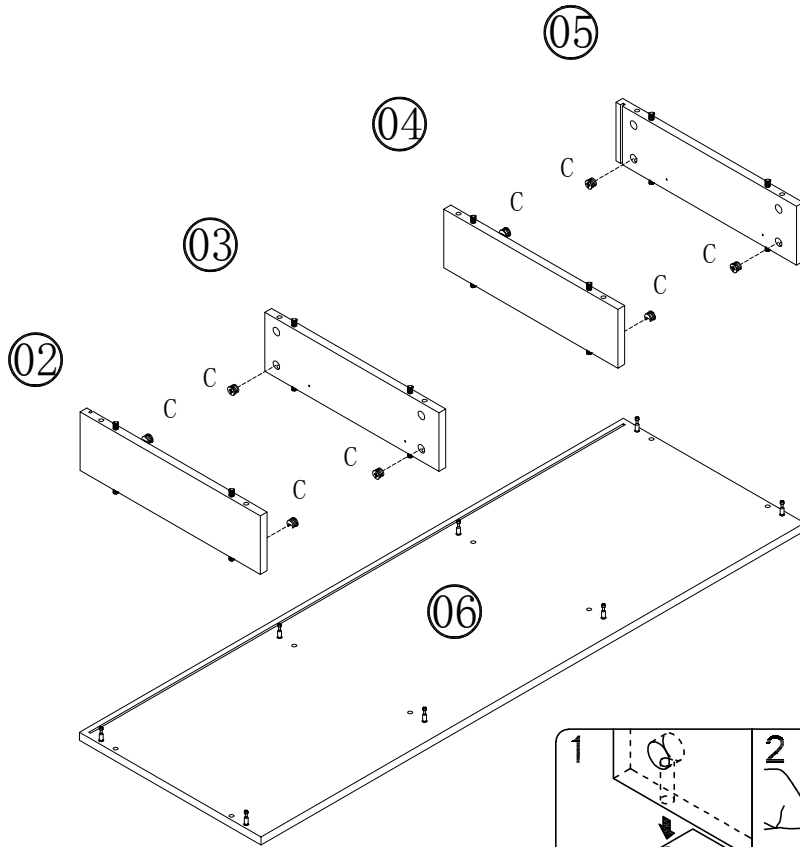
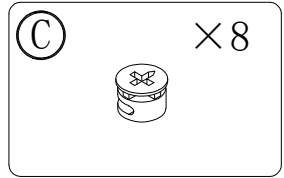
1



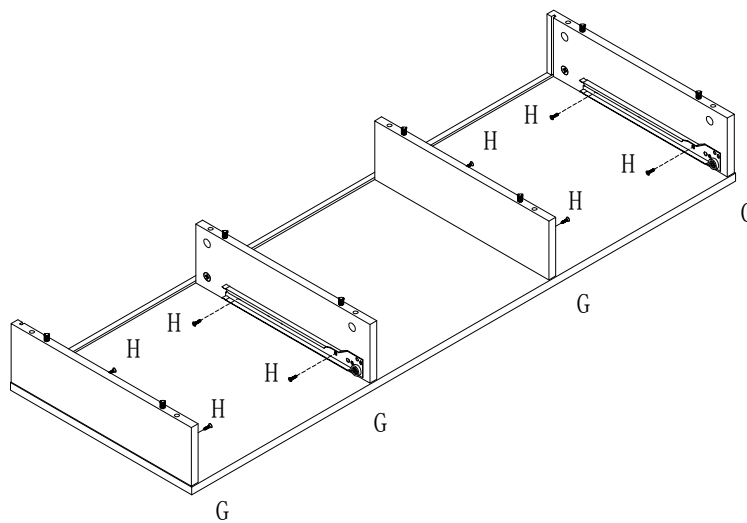
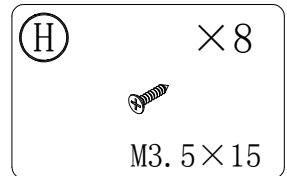
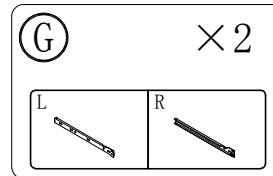
2



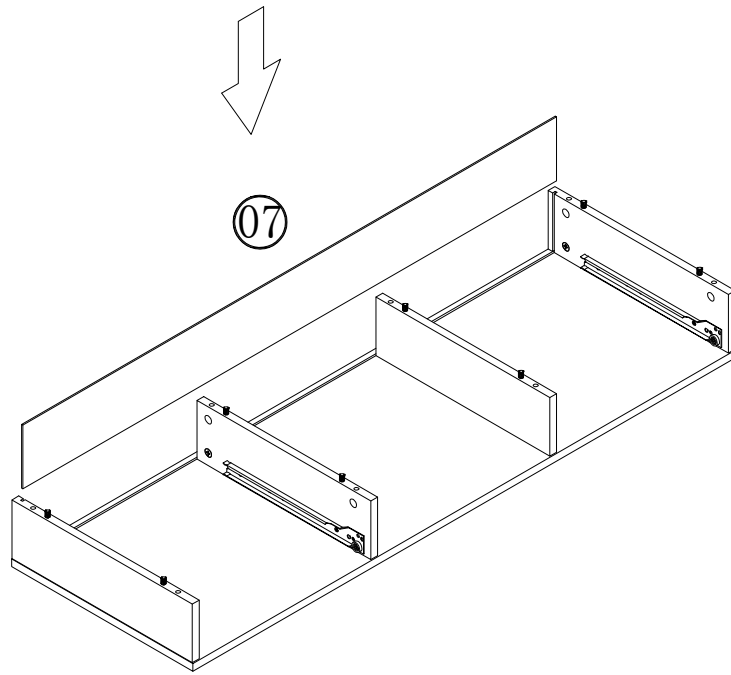
3



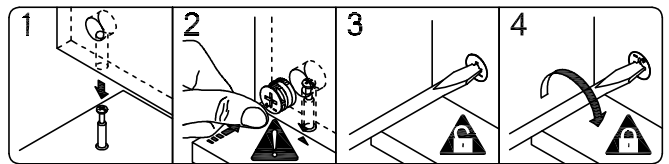
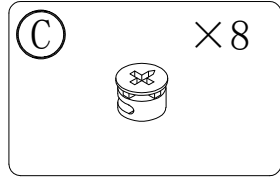
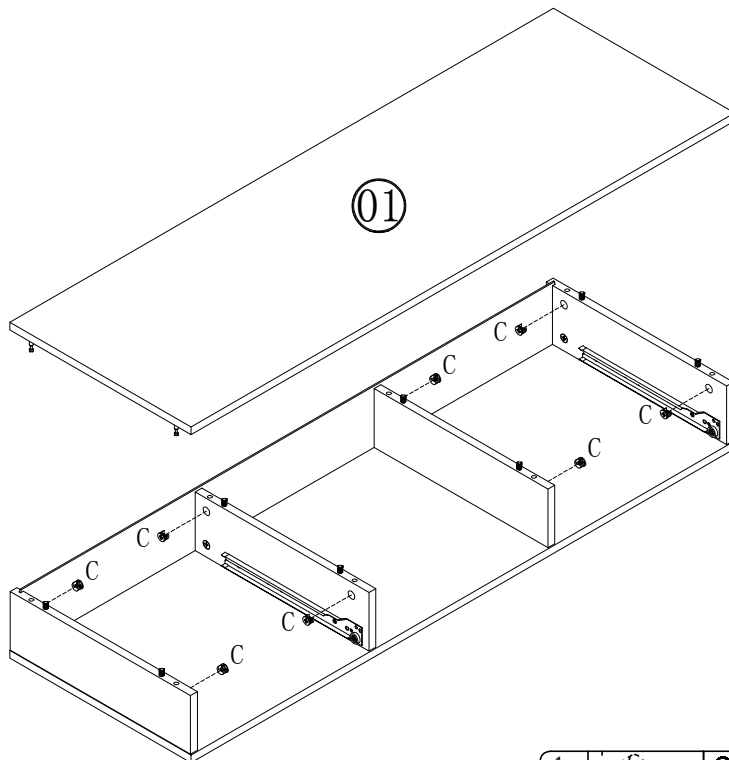
4



5



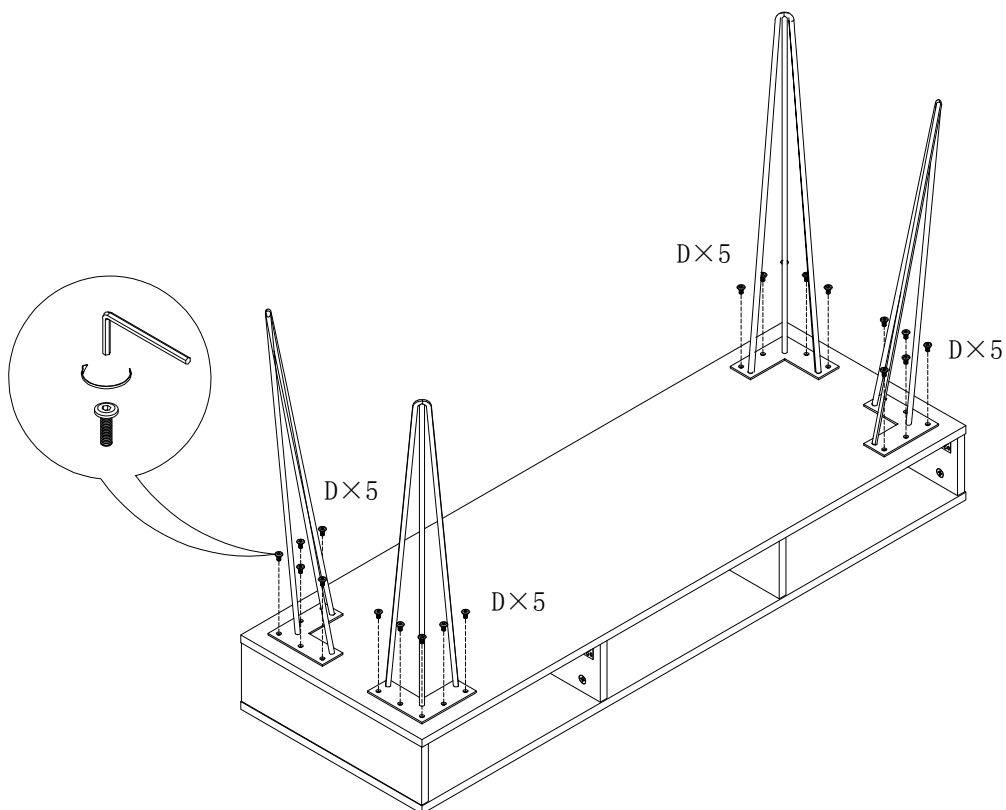
6



7

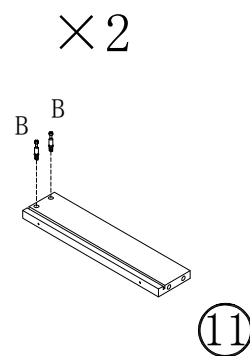
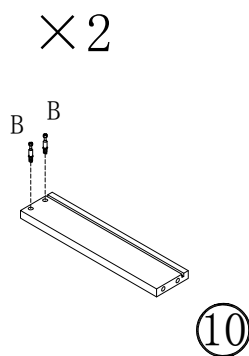
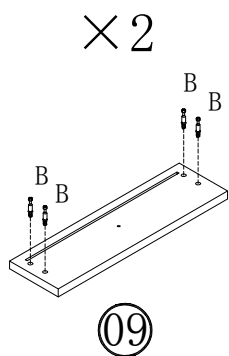
Ⓓ ×20  
M6×12

Ⓘ ×1  
M4

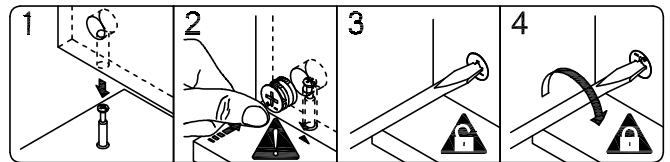
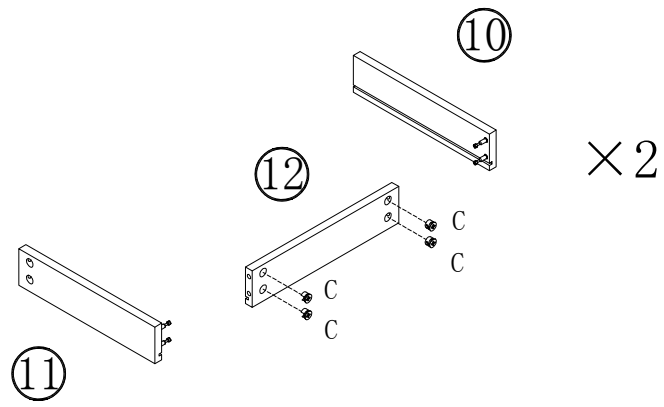
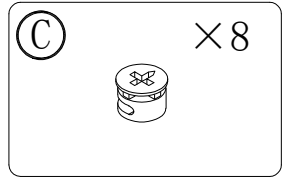


8

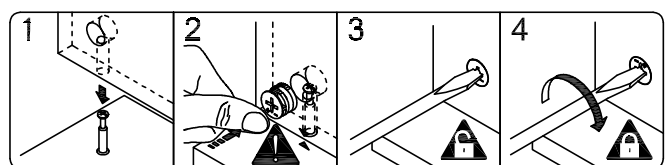
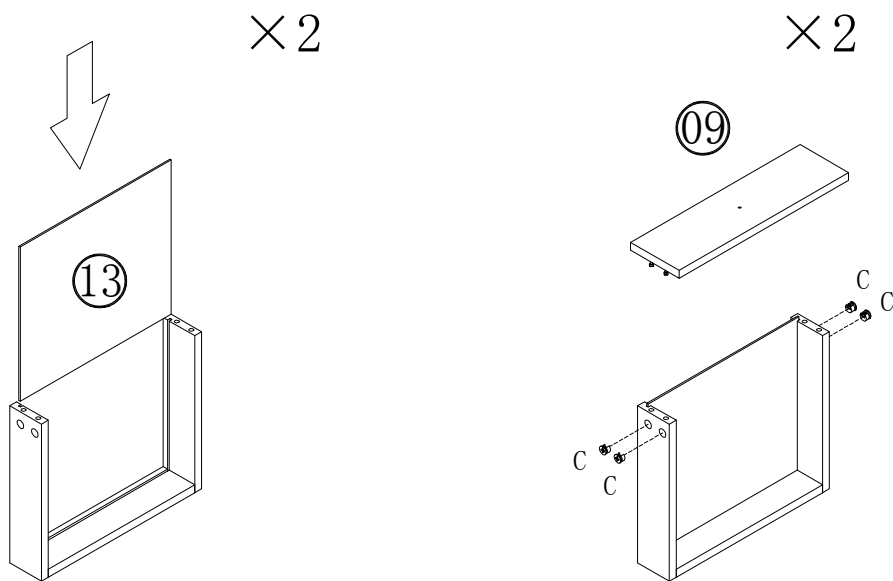
Ⓑ ×16



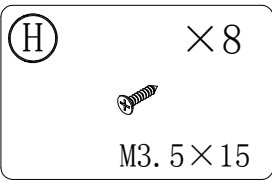
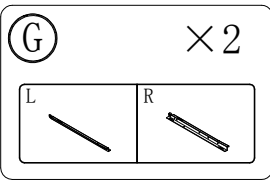
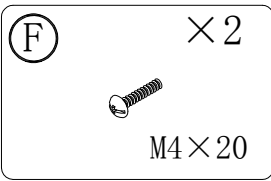
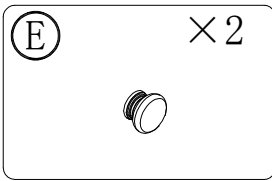
9



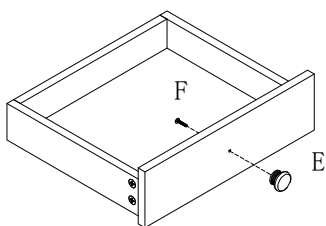
10



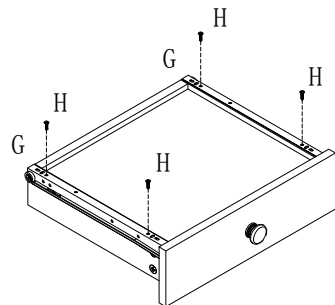
11



×2



×2



12

