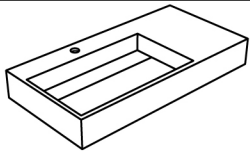


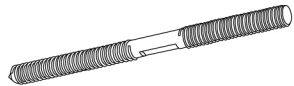
# PRODUCT ASSEMBLY INSTRUCTIONS

[ Product Model: P08-003L ]

## List :



Solid Surface Bathroom Sink x1



x4



Gaskets x4

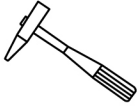


Nut x4

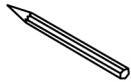


Expansion sleeve x4

## Tools Required :



Hammer



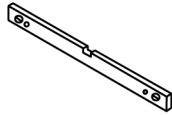
Pencil



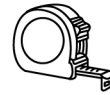
Wrench



Electrodrill



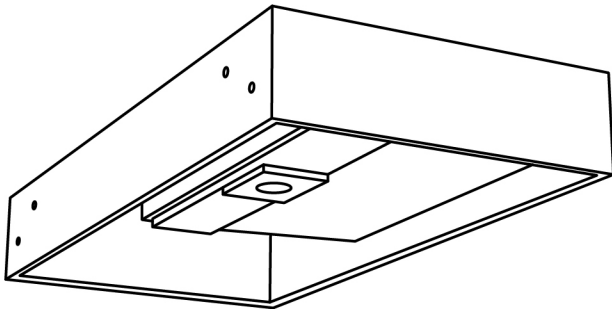
Gradienter



Steel tape

## Installation steps : 1

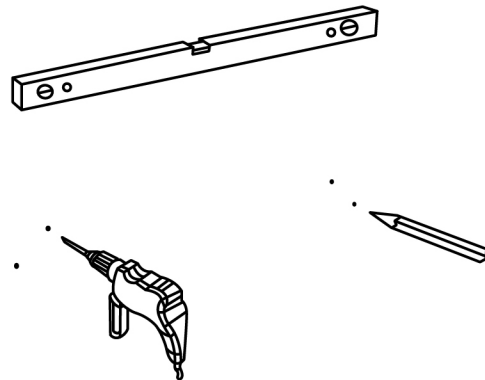
Measure the distance of the mounting holes, and the height you want, mark with the pencil.  
(33"-36" is preferred for countertop height).



[ The back of the product ]

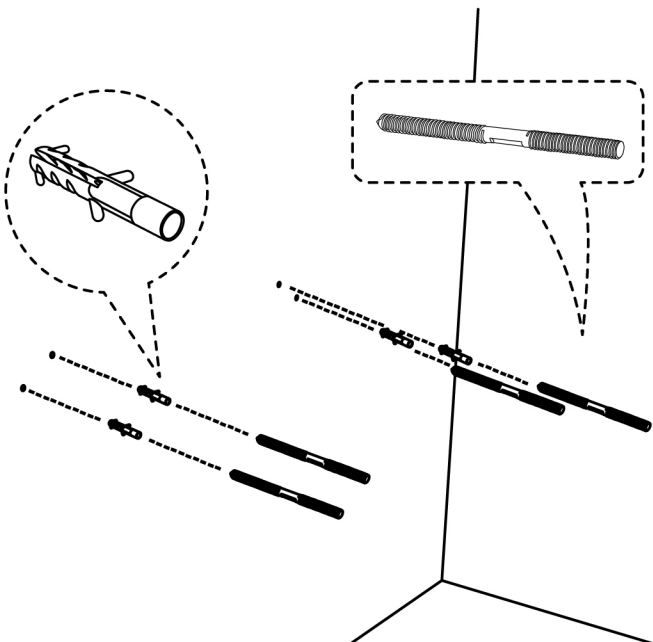
## Installation steps : 2

Drill the hole at the mark with electric drill.



## Installation steps : 3

Install the expansion sleeve first, then the screws.  
**⚠** Make sure the screws are securely installed.



## Installation steps : 4

Hold the basin and use a spanner to lock the basin to the wall.

