

## LED OUTDOOR CEILING LIGHT

Catalog No. : HELX35-4K-WH

Type : Ceiling Light

Project Name :

Location :

Qty :

Date :



PROBRITE's HELIOS X 38-Watt integrated LED canopy outdoor security light. This canopy light suits perfectly to light up entry-ways, parking areas, covered walkways, storage areas, loading docks, and much more. Fixture is durable and corrosion resistant because of aluminum die-cast construction and polycarbonate UV lens. It can be mount on canopy with a universal junction box mounting plate and designed for simple installation.

### PRODUCT PERFORMANCE AT A GLANCE

SYSTEM WATTAGE	LUMENS	LPW	CRI	REPLACES (Incandescent)
38W	4000 lm	105 lm/w	>70	250W



**SWITCH-CONTROLLED**

#### HOUSING

Die cast aluminum housing with corrosion resistant powder-coated paint finish. It is designed to ensure cooling by natural convection and passive airflow, to let driver perform efficiently

#### IP RATING & LISTINGS

LED light engine is weather proof and rated IP65. UL Listed, suitable for Wet Location, and DLC standard.

#### OPTICS

Frosted glare-free Glass lens, to target lumens evenly and provide superior lighting experience.

#### MOUNTING

It can be mount on ceiling or on conduit.

#### FINISH

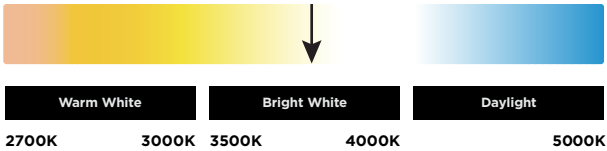
Fade, weather, and abrasion resistant, electrostatically applied, thermally cured, triglycidal isocyanurate (TGIC) textured polyester powdercoat white paint finish.

#### WARRANTY

Covered by a 5-year limited warranty. See [probrite.com/warranty](http://probrite.com/warranty) for details.

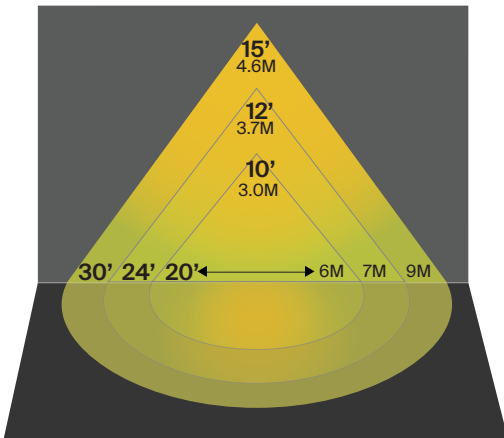
## PRODUCT SPECIFICATION

Product Dimensions	: 10.59" x 10.59" x 2.87"
Weight	: 4.92 lbs
Lumens	: 4000
LED Wattage	: 38W
Efficacy	: 105W
CRI	: >70
Replaces (Incandescent)	: 250W
Mounting	: Ceiling Mount/Conduit Mount
Frequency	: 50-60Hz
THD (Total Harmonic Distortion)	: <20%
PF(Power Factor)	: >0.9
Ambient Operating Temperature	: (-30)-40°C
Input Voltage	: 120-277V
LED Chip	: -
Photocell	: No
Driver	: Dimming
Standard Lifetime	: 50,000 hrs
Standard Warranty	: 5 Years
Water Proofing Grade	: Suitable for wet location
CCT	: 4000K Bright White Light
Certifications	: IP 65, Energy Star, FCC Certified, UL Certified, DLC Standard

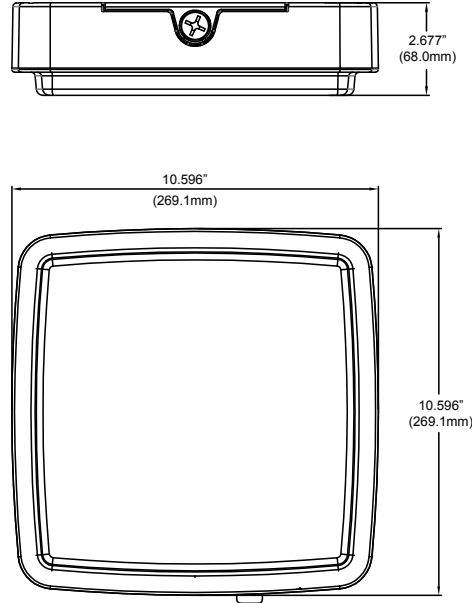


**SUGGESTED MOUNTING HEIGHT:**  
6-12 FT.(1.8-3.7 M)

## 3D PHOTOMETRIC VIEW



## PRODUCT LINE DRAWING



## APPLICATION

### SUITABLE FOR MULTIPLE APPLICATIONS

- WAREHOUSES • LOADING BAYS • PATIOS
- COMMERCIAL PARKS • APARTMENT COMPLEXES

