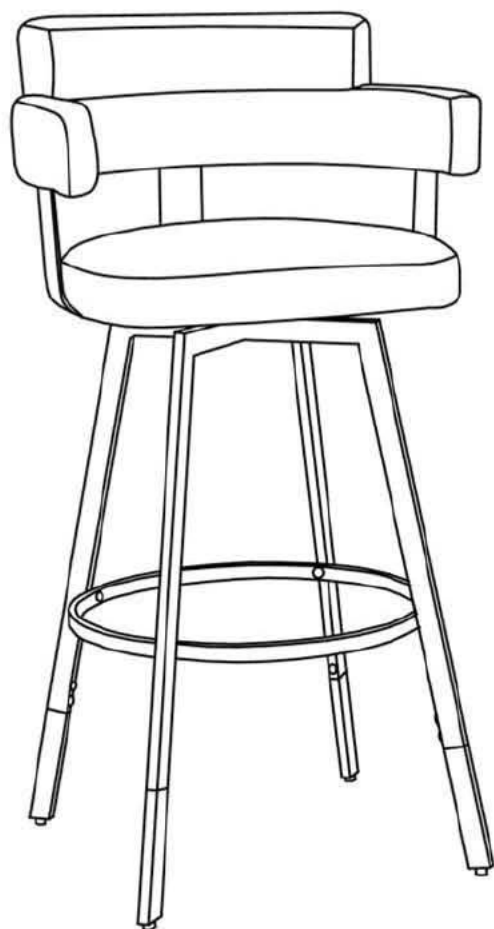


Designed for your house, a New Living Style.



USER MANUAL Swivel Barstool

Attention: This instruction contains important safety information, please carefully read it and keep it for future reference...

Welcome to visit our store and purchase our quality products!





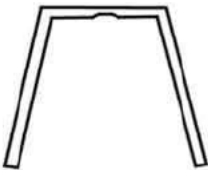
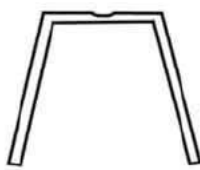
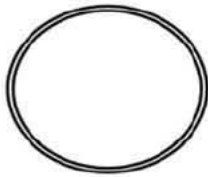

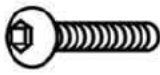
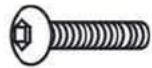
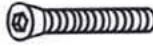



- Our **Computer Desks, Side Tables, Garment Racks, Cabinets, Chairs, Bar Stools, Sofas, Ottomans, Bookshelves and Living Room Sets, etc**, all of which are geared towards addressing various tastes and budgets.
- It is our sincere hope that our furniture items could be acting as helpful companions in your life and work. We attach great importance to customer experience and promise to serve each consumer wholeheartedly by bringing them as much value as possible; whenever you are running into any problems while assembling or using our furniture items, please touch base with us, our Customer Service team is available to provide necessary assistance to address your needs and concerns.
- Thank you for your purchase, we are committed to providing you with high value and superior quality products characterized by sturdy build, user-friendly design and reasonable pricing.

Attention:

- Extra hardware parts and foot pads are provided for the purpose of possible repair or replacement in the future.
- In the process of assembly, be sure to keep all small parts in the package out of reach of babies and children, which pose a choking hazard if swallowed or inhaled; keep the packaging materials (film, plastic bags, foam, etc.) away from babies and children to avoid potential dangers of suffocation.
- Do not fully tighten any screw until all screws are aligned with their corresponding holes.
- Two persons are required for the assembly; for the purpose of a time-saving and hassle-free assembly, please act in compliance with the step-by-step instructions.
- Children are not allowed to play on, stand on or jump from the bar stool which is intended for the storage and organization purposes only.
- The seller bears no responsibility and/or liability for any personal injury and/or property damage arising from improper use or incorrect assembly of the bar stool.
- During the assembly, please be wary of sharp corners of the wooden panel or the metal frame, it is commended to wear a pair of gloves when you come into contact with these parts.
- Any unauthorized modification to this item will void its warranty.

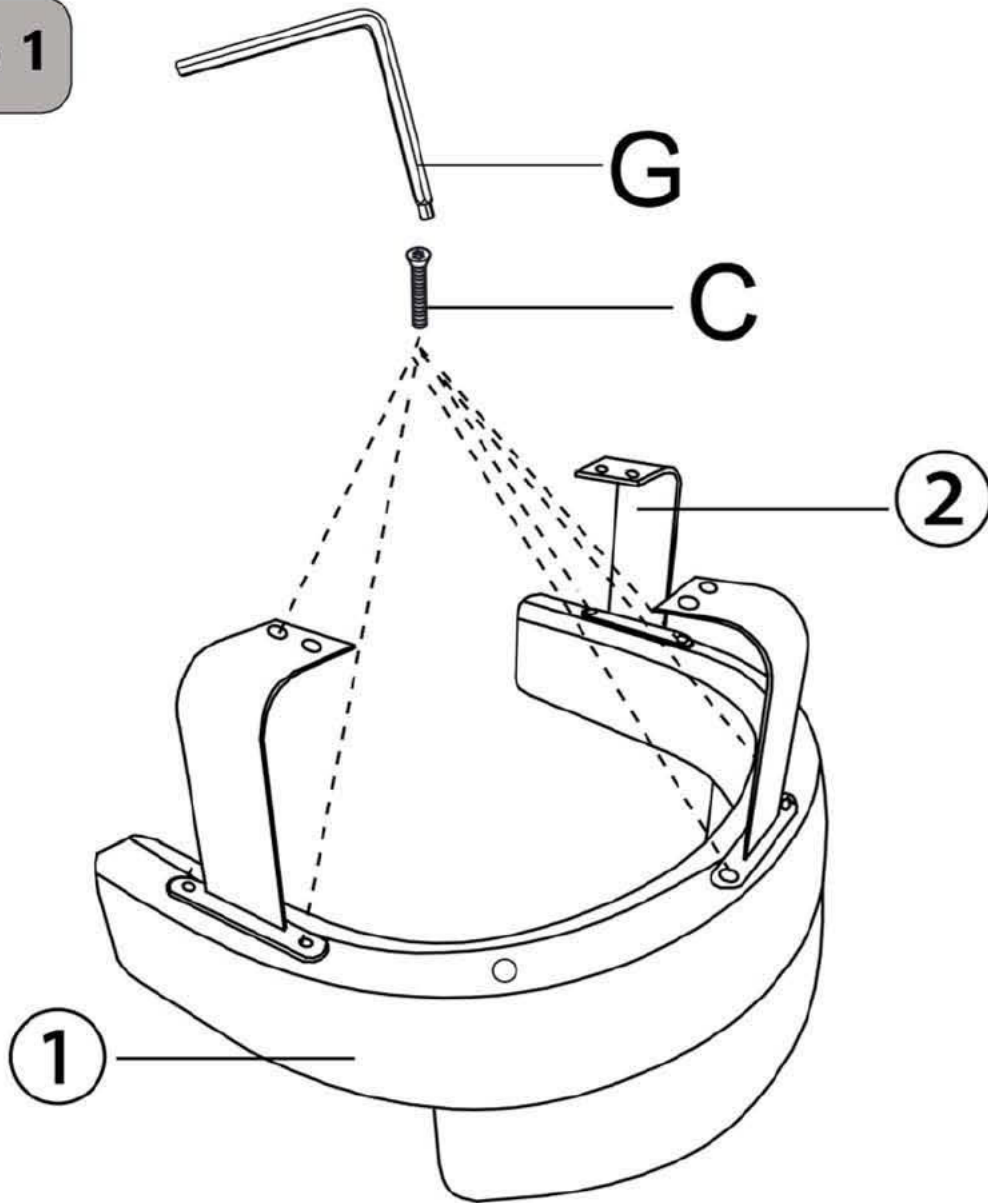
Parts List

Prior to assembly, check to see if all parts and hardware are included as follows, should any part be found missing or defective, please reach out to our customer service for further assistance.

<p>① x1pc</p>  <p>Back</p>	<p>② x3pcs</p>  <p>Bracket</p>	<p>③ x1pc</p>  <p>Seat</p>	
<p>④ x1pc</p>  <p>Turnplate</p>	<p>⑤ x1pc</p>  <p>Leg</p>	<p>⑥ x1pc</p>  <p>Leg</p>	<p>⑦ x1pc</p>  <p>Footrest</p>
<p>⑧ x4pcs</p>  <p>Extension Leg</p>	<p>Ax 5pcs</p>  <p>Screw M6x30mm</p>	<p>Bx16pcs</p>  <p>Screw M6x20 mm</p>	<p>Cx 6pcs</p>  <p>Screw M6x 30mm</p>
<p>Dx6pcs</p>  <p>Screw M6x 18mm</p>	<p>Ex4pcs</p>  <p>Cap</p>	<p>Gx1pc</p>  <p>Allen Wrench</p>	

Assembly Steps

Step 1



C x6pcs

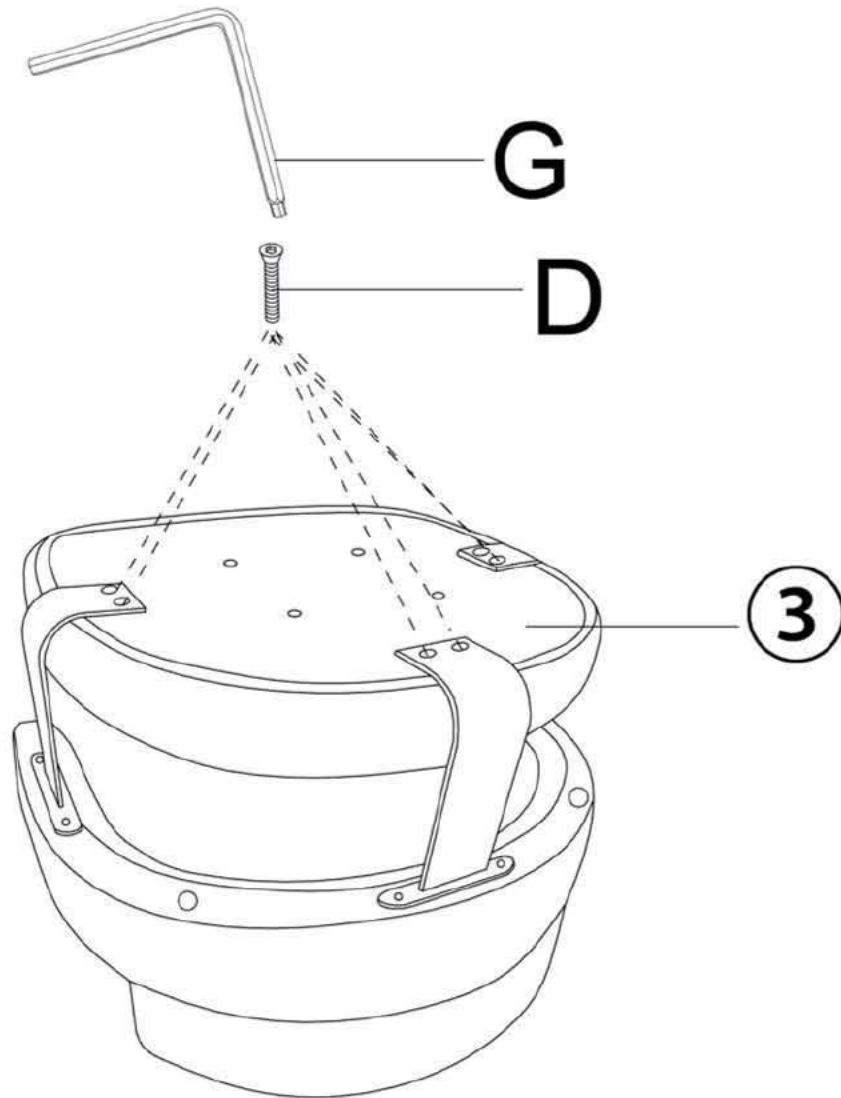


Screw
M6x30mm

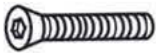
- Assemble **Back**(①) with **Brackets** (②) using **screws C**. Lightly tighten the screws indicate on step 1.

Assembly Steps

Step 2



Dx6pcs

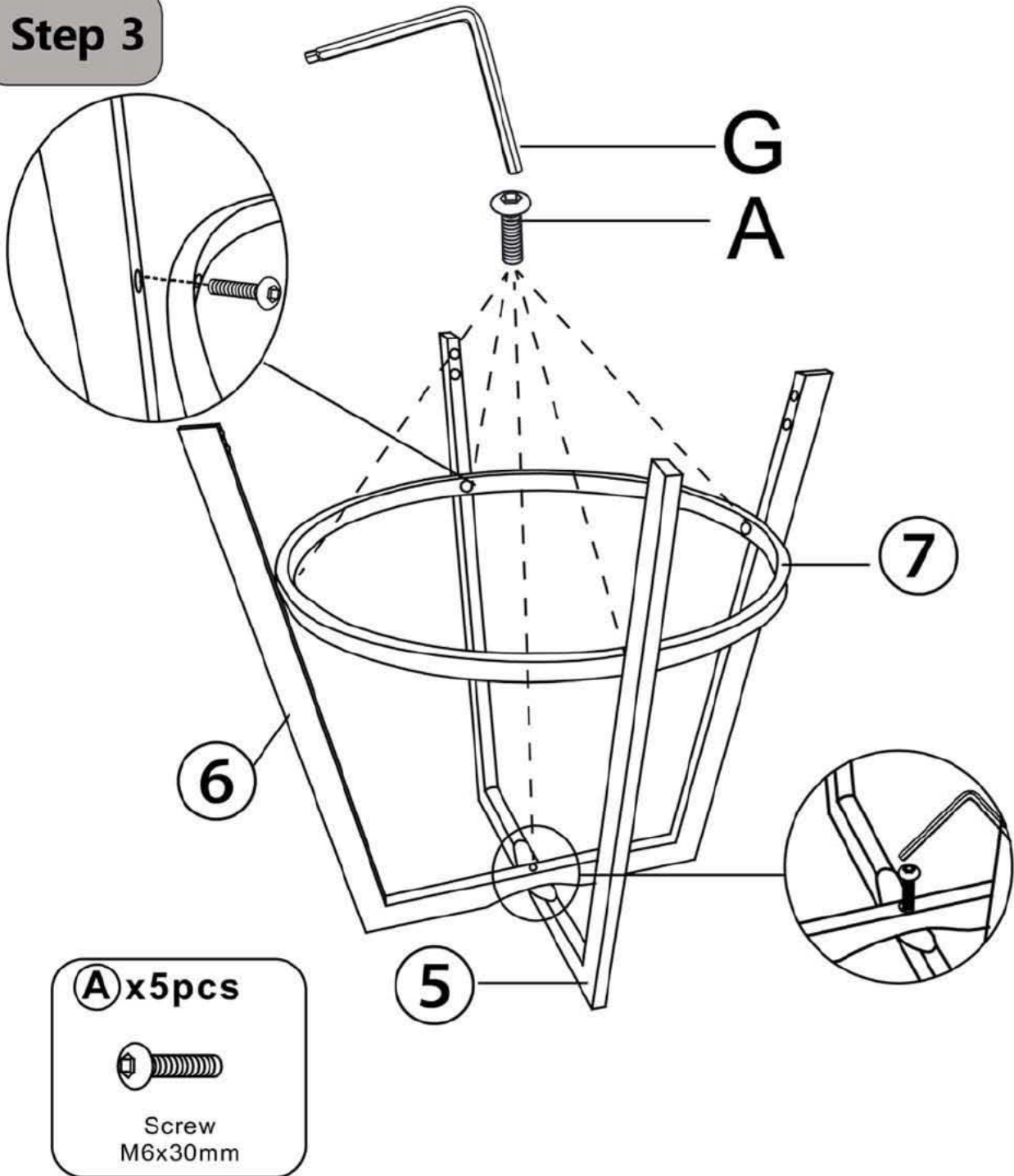


Screw
M6x18mm

- Assemble **Seat**(3) with **Brackets**(2) using **screws D** . Lightly tighten the screws indicate on step 2.
- After screws assembly in the right position, then tighten all **screws C and D**.

Assembly Steps

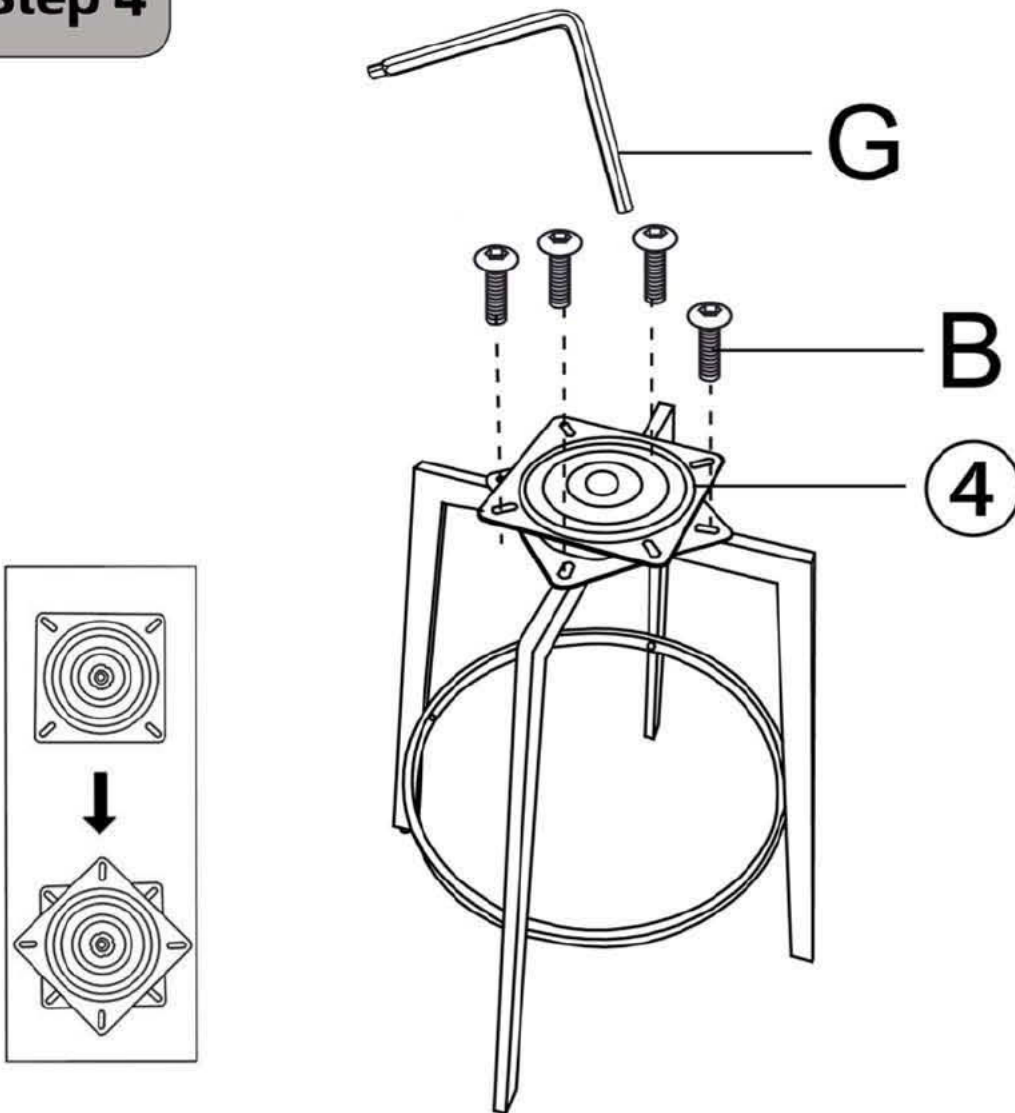
Step 3



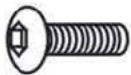
- Connect **Footrest** ⑦ to **Legs** ⑤ & ⑥. Align the holes on the Footrest and Legs. Secured with **Screws A** and **Allen Wrench G**. Lightly tighten the screws.

Assembly Steps

Step 4



(B) x4pcs

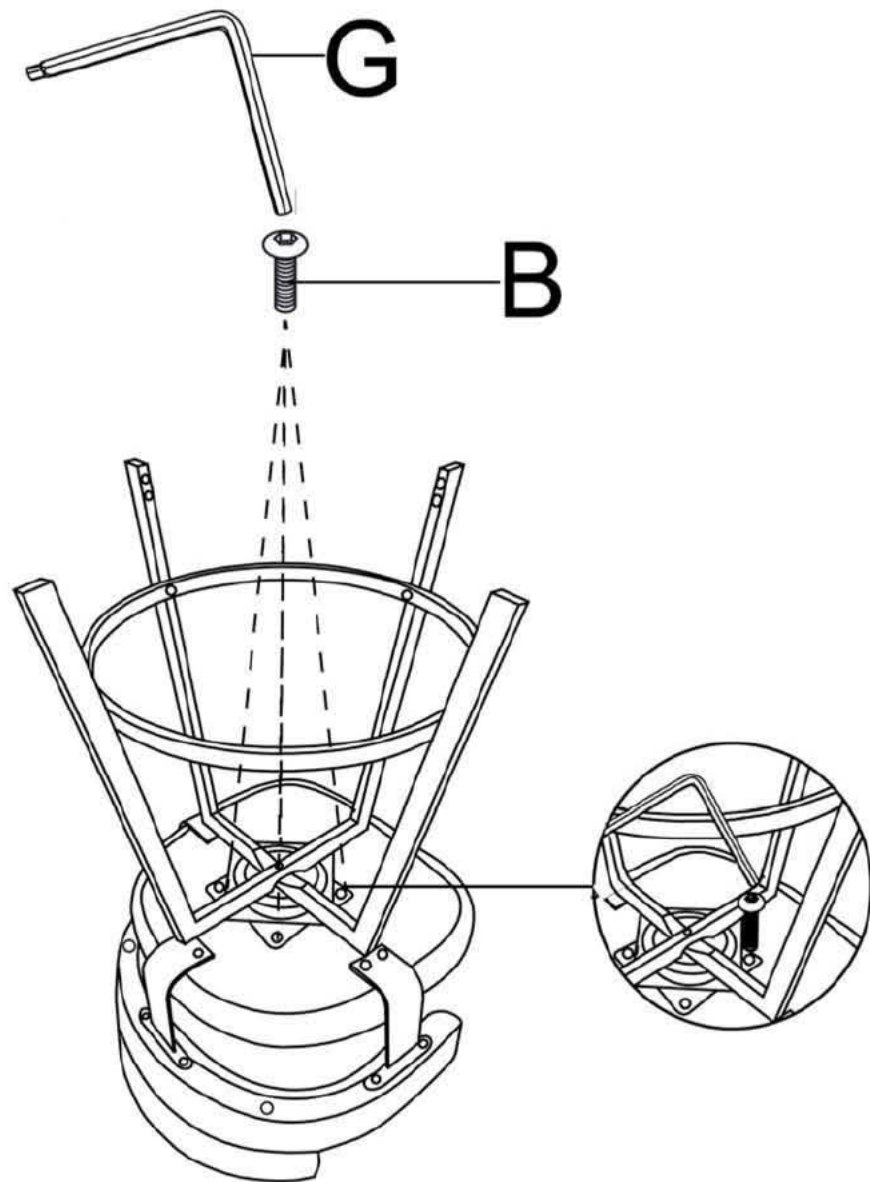


Screw
M6x20mm

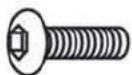
- Assemble **Turnplate (4)** to the **Legs (5) (6)** using **screws B**. Lightly tighten the screws indicate on step 4.
- After screws assembly in the right position, then tighten all **screws A and B**.

Assembly Steps

Step 5



B x 4 pcs

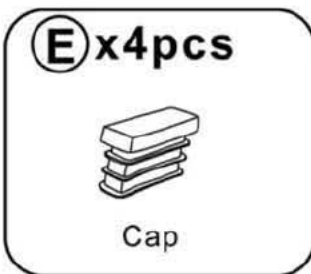
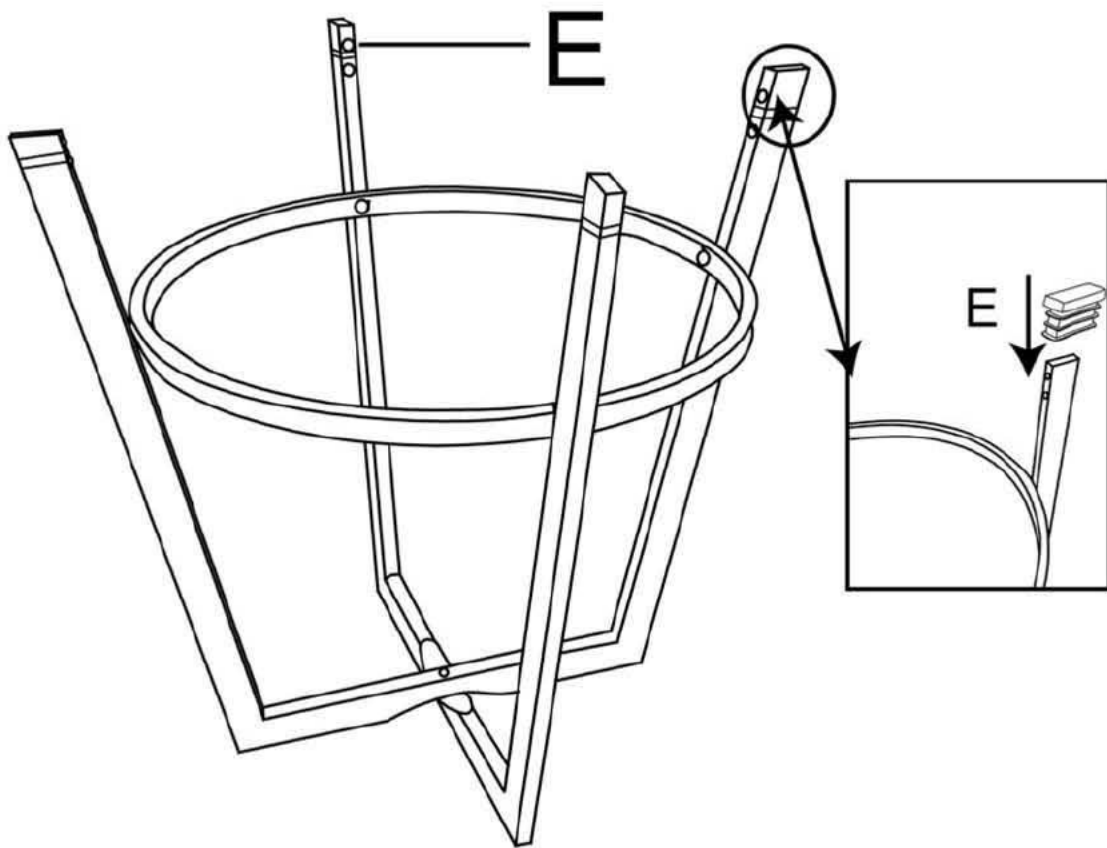


Screw
M6x20mm

- Assemble the legs with **seat** (③) using **screws B**. Tighten the screws indicate on step 5.

Assembly Steps

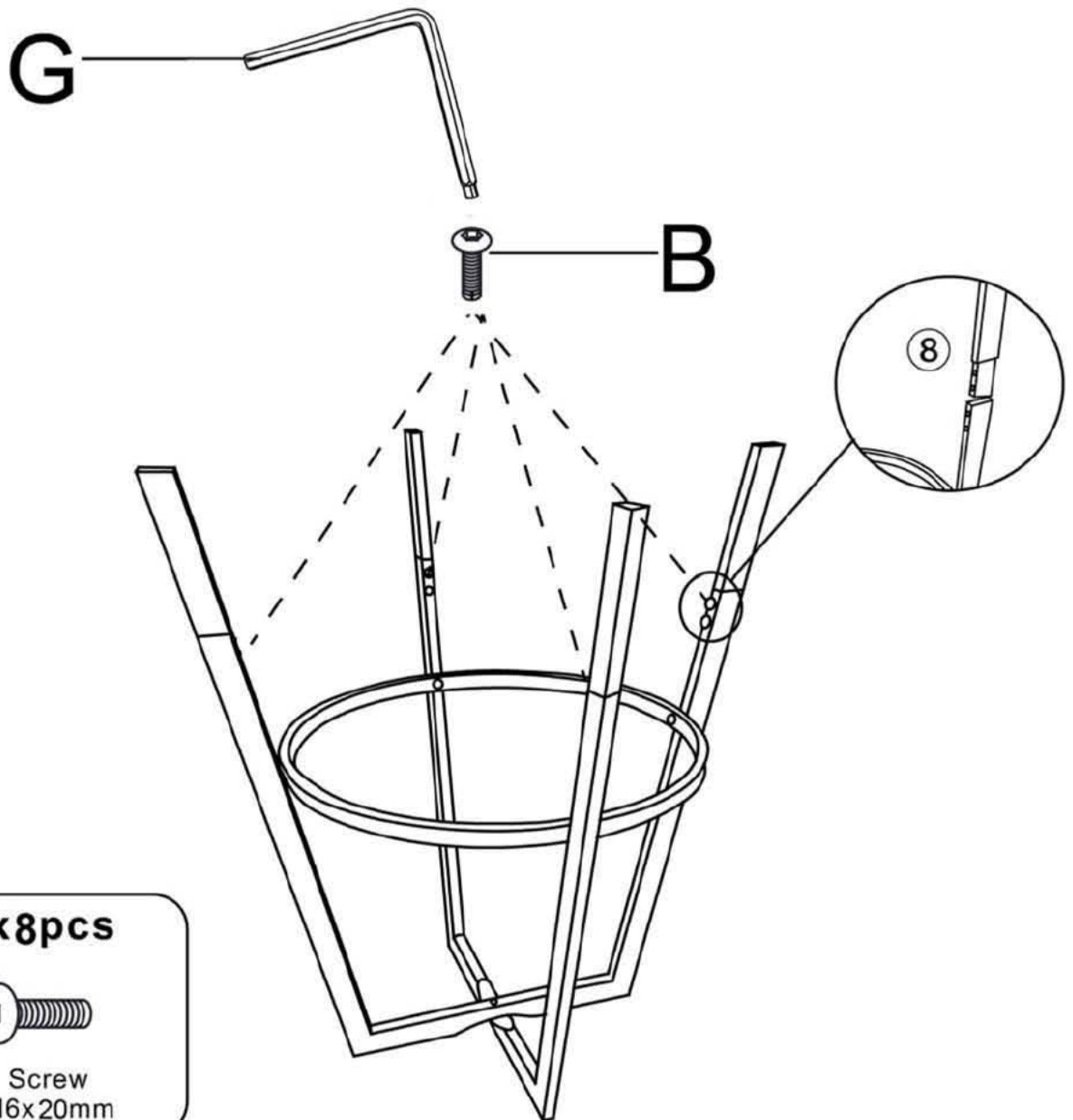
Step 6



- For Counter height use, without Extension Legs, could stick caps (E)

Assembly Steps

Step 7



- For Bar height use, could assemble Extension **Legs** (⑧) using **screws B**, Tighten the **screws**.

Assembly Steps

Step 8

Fully Assembly



30"

24"

- Assemble Extension Legs, select Height Bar or Counter.
- For Bar Height Use, with Extension Legs.
- For Counter Height Use, without Extension Legs.

Care and Maintenance

- It is recommended to wipe off the dust gathering on the bar stool with a soft and clean piece of dry cloth.
- Do not use solvents of any kind, as they may damage the finish of the item.
- It is essential to check if any screws/bolts are loosened periodically and then tighten them accordingly.
- It is important to keep this item in a climate-controlled environment, since extreme temperatures and humidity changes can cause fading, warping, shrinking and splitting of wood.
- This item is designed to be used indoors only, please avoid using it outdoors, as direct exposure to sunlight or rainwater will curtail its durability.
- Weight capacity for bar stool is 300lbs, to make the bar stool work as intended, please make sure the total weight of objects placed on each shelf is below 300lbs.
- Keep the bar stool away from pointed objects or corrosive chemicals to protect its surface from being damaged.
- Never stand, sit or lie on the bar stool, nor it can be used as a ladder.
- Following the tips above will help the item retain its performance even when it ages over time.
- Additional note about safety: Bolts may loosen during normal everyday use. They should be periodically inspected and re-tightened to prevent damage or injury. Remember to save your wrench to use to tighten.