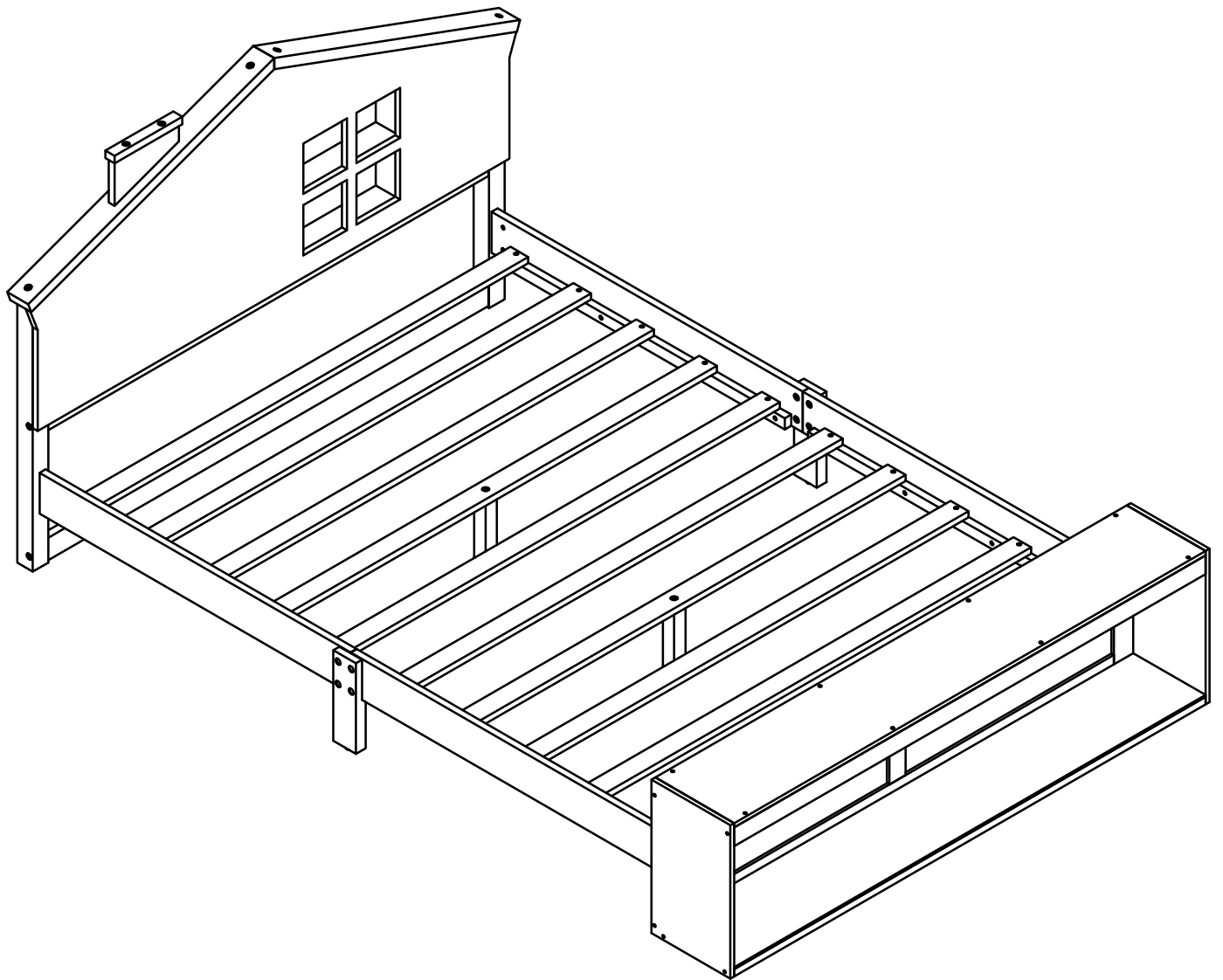
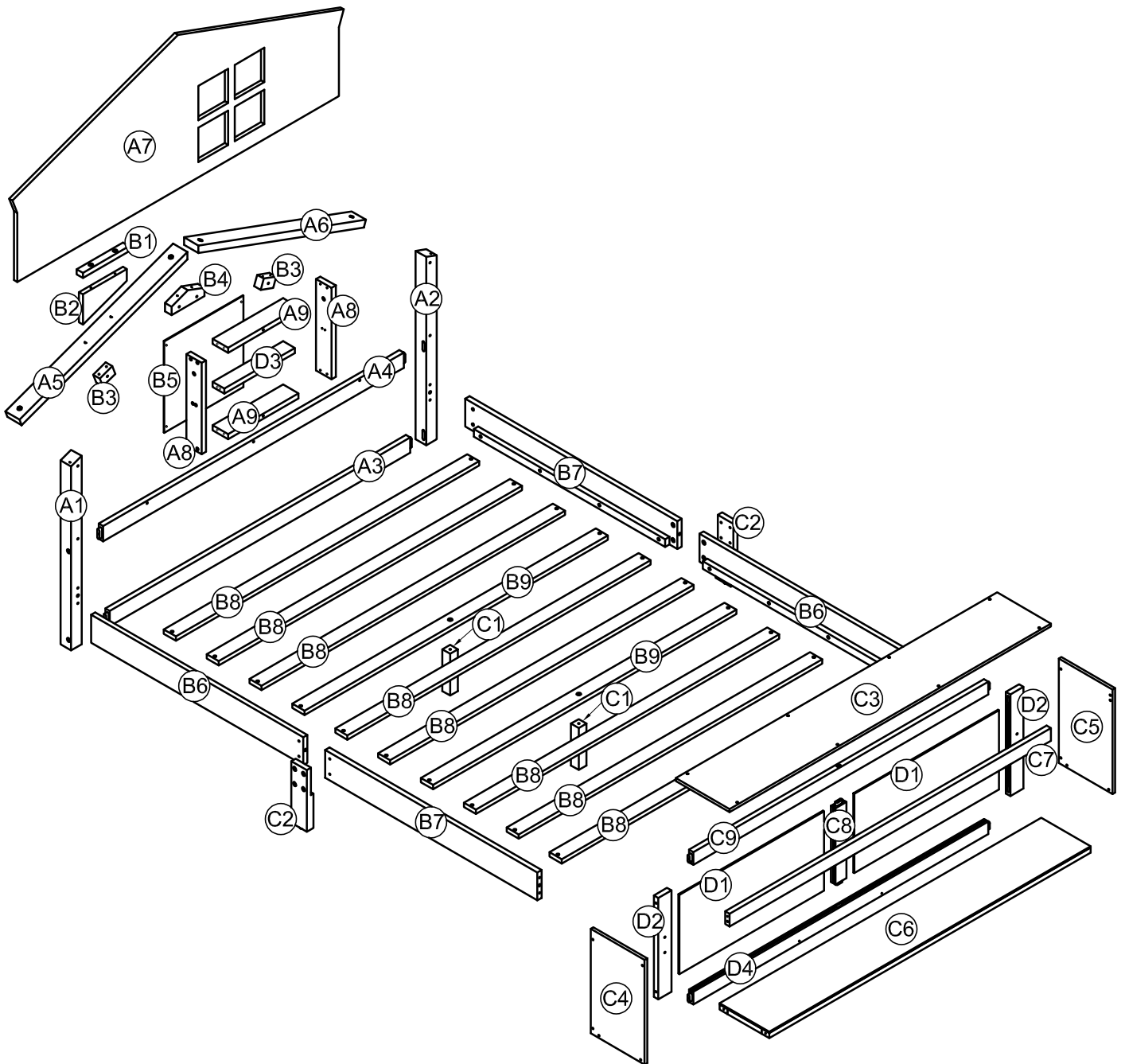




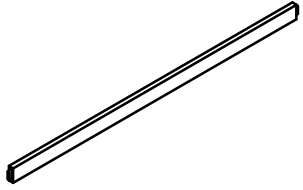
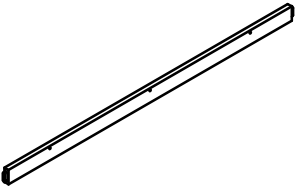
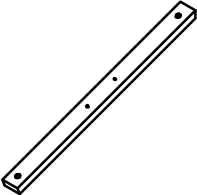

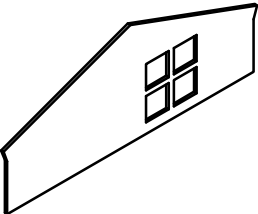

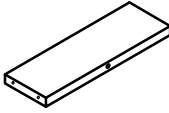
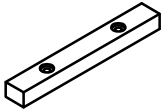
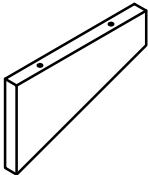
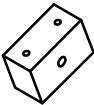
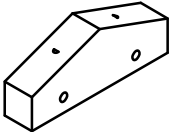
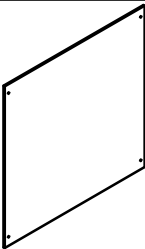
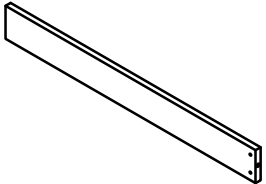
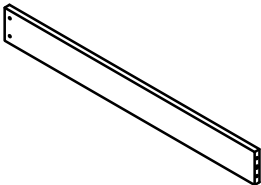
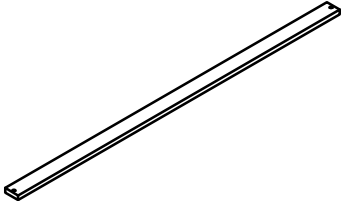
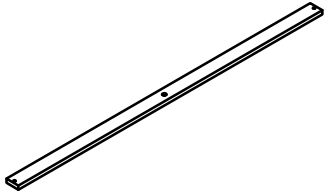


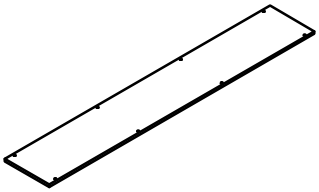
ASSEMBLY INSTRUCTION



ASSEMBLY INSTRUCTION

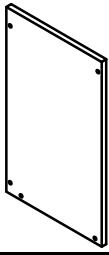


Part List (Box 1)

<p>A1</p>  <p>Leg- 1pc</p>	<p>A2</p>  <p>Leg- 1pc</p>	<p>A3</p>  <p>WoodBar-1pc</p>
<p>A4</p>  <p>WoodBar-1pc</p>	<p>A5</p>  <p>WoodBar-1pc</p>	<p>A6</p>  <p>WoodBar-1pc</p>
<p>A7</p>  <p>Panel-1pc</p>	<p>A8</p>  <p>WoodBar-2pcs</p>	<p>A9</p>  <p>WoodBar-2pcs</p>
<p>B1</p>  <p>WoodBar-1pc</p>	<p>B2</p>  <p>Panel-1pc</p>	<p>B3</p>  <p>WoodBar-2pcs</p>
<p>B4</p>  <p>WoodBar-1pc</p>	<p>B5</p>  <p>Panel-1pc</p>	<p>B6</p>  <p>Side Rail-2pcs</p>
<p>B7</p>  <p>Side Rail-2pcs</p>	<p>B8</p>  <p>Slats-8pcs</p>	<p>B9</p>  <p>Slats-2pcs</p>
<p>C1</p>  <p>Support Slats-2pcs</p>	<p>C2</p>  <p>Support Siderail-2pcs</p>	<p>C3</p>  <p>Panel-1pc</p>

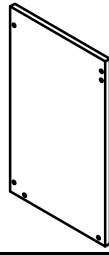
Part List (Box 1)

C4



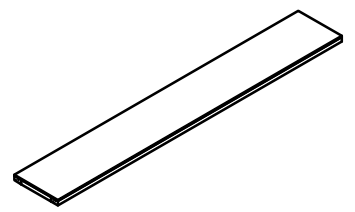
Panel-1pc

C5



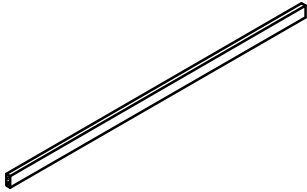
Panel-1pc

C6



Panel-1pc

C7



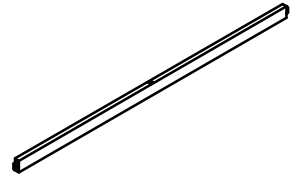
WoodBar-1pc

C8



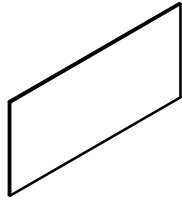
WoodBar-1pc

C9



WoodBar-1pc

D1



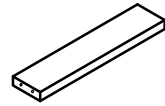
Panel-2pcs

D2



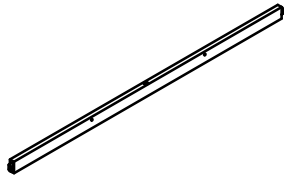
WoodBar-2pcs

D3





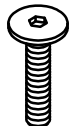
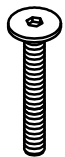


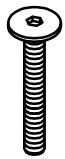


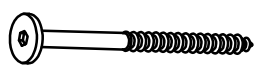
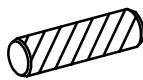
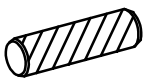




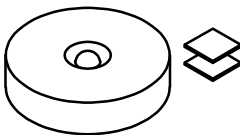
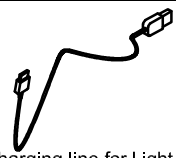
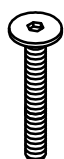
WoodBar-1pc

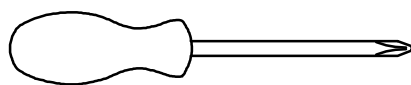
D4



WoodBar-1pc

Hardware List (Box 1)

<p>1</p>  <p>Ø1/4" x 25 mm Hex-Head bolts 8pcs</p>	<p>2</p>  <p>Ø1/4" x 30 mm Hex-Head bolts 5pcs</p>	<p>3</p>  <p>Ø1/4" x 40 mm Hex-Head bolts 4pcs</p>
<p>4</p>  <p>Ø1/4" x 50 mm Hex-Head bolts 4pcs</p>	<p>5</p>  <p>M4 x 15 mm Wood Screws 4pcs</p>	<p>6</p>  <p>M4 x 50 mm Wood Screws 4pcs</p>
<p>7</p>  <p>Ø1/4" x 100 mm Hex-Head bolts 6pcs</p>	<p>8</p>  <p>Screws 1/4" x40 8pcs</p>	<p>9</p>  <p>Screws 1/4" x60 12pcs</p>
<p>10</p>  <p>Screws 1/4" x80 4pcs</p>	<p>11</p>  <p>Ø8 x 30 mm Wood dowel 2pcs</p>	<p>12</p>  <p>Ø10 x 40 mm Wood dowel 6pcs</p>
<p>13</p>  <p>Ø1/4" x 13 mm Horizontal-Hole bolts 8pcs</p>	<p>14</p>  <p>Ø1/4" x 15 mm Canopy head though -8pcs</p>	<p>15</p>  <p>Allen Key 1pc</p>
<p>16</p>  <p>M4 x 30 mm Wood Screws 42pcs</p>	<p>17</p>  <p>Led Light 3pcs</p> <p>Charging line for Light, keep for further charging, USB to micro USB</p> 	<p>18</p>  <p>Ø1/4" x 70 mm Hex-Head bolts 4pcs</p>



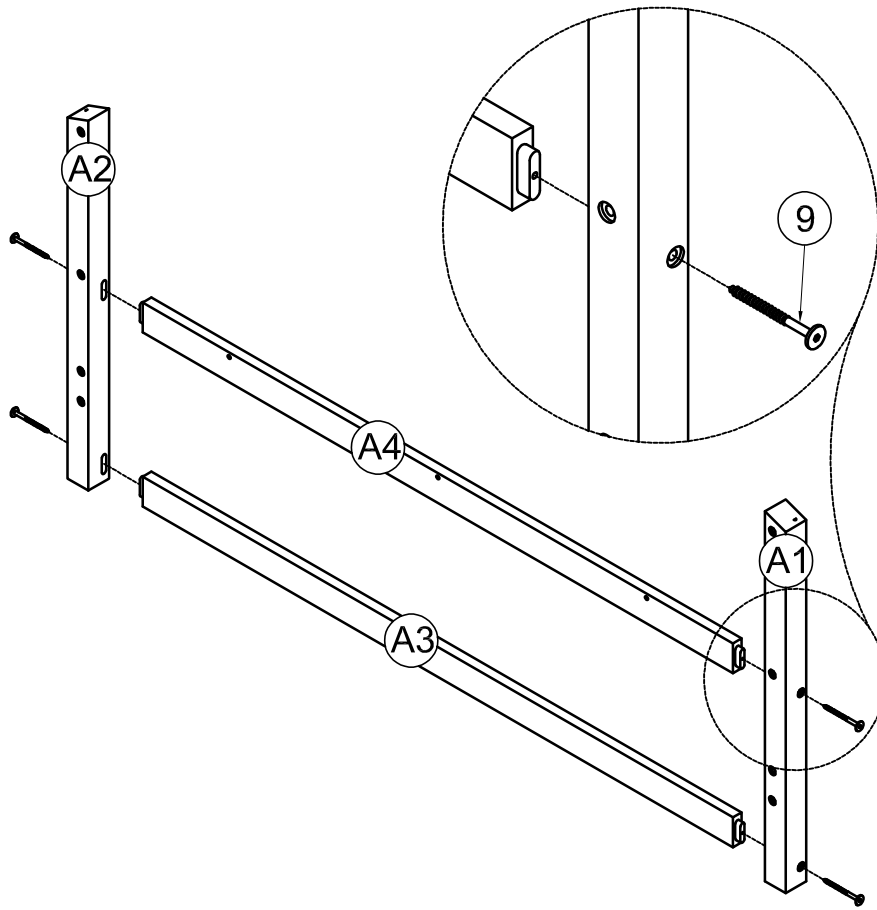
Assembly Tools Required (Not Included)

STEP1: Following below illustration.

9



4(pcs)



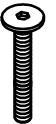
STEP2: Following below illustration.

2

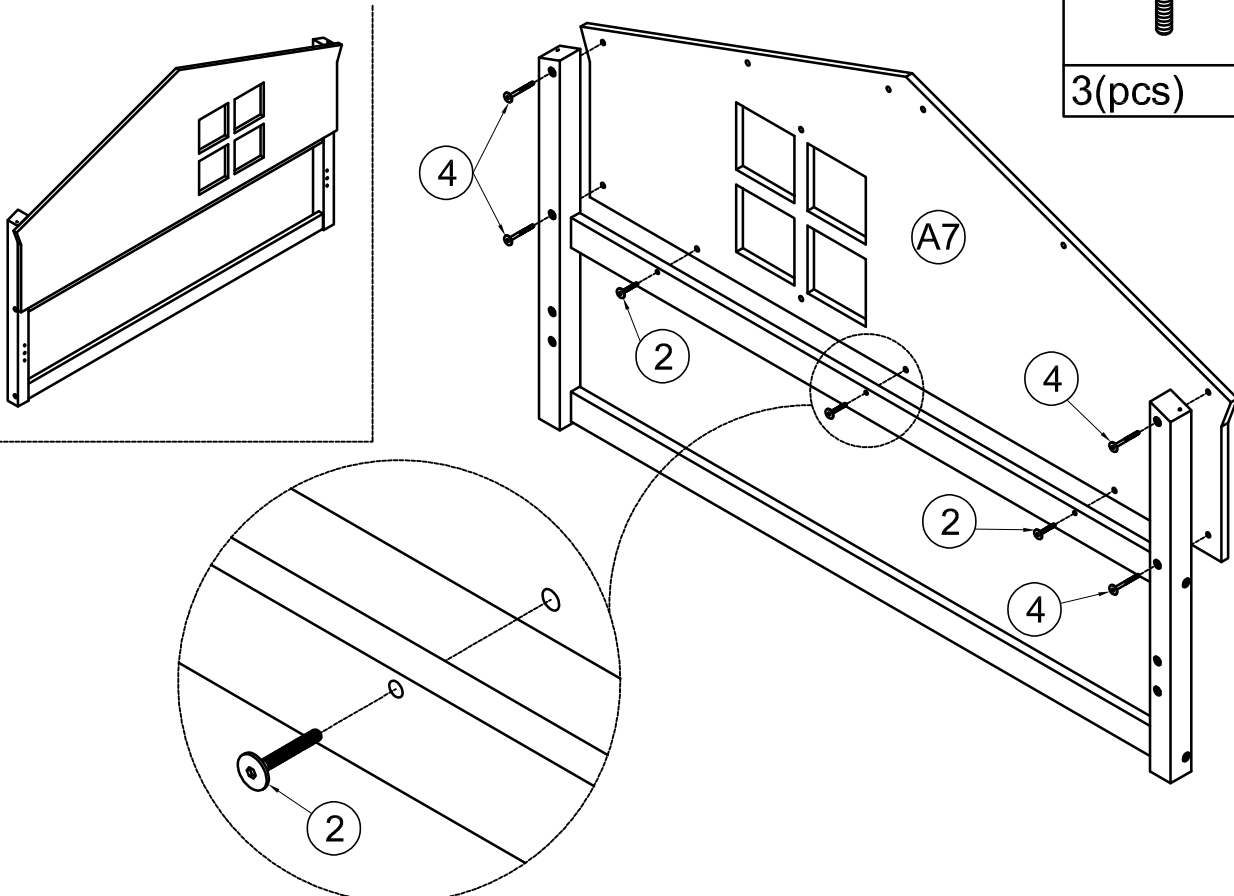


3(pcs)

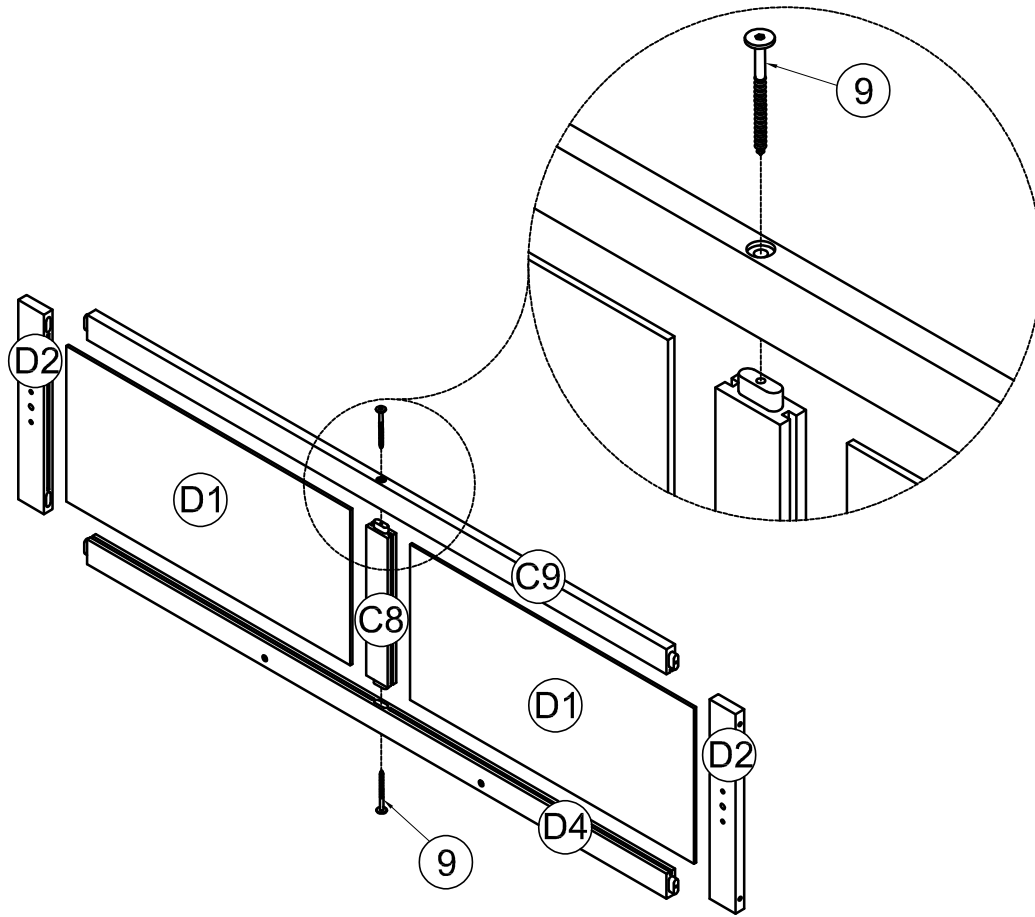
4




4(pcs)

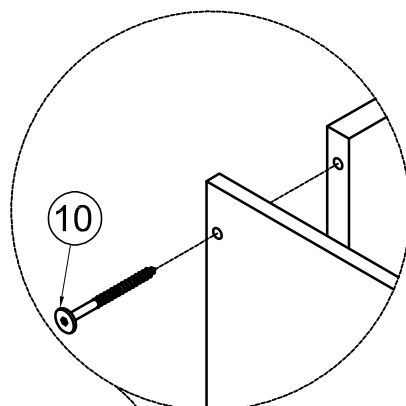





STEP3: Following below illustration.

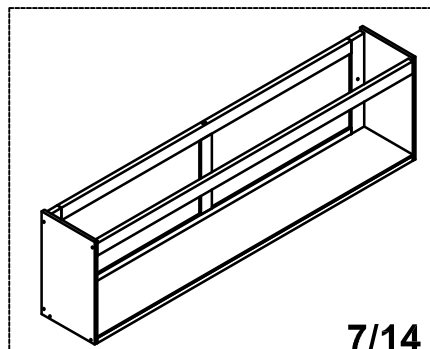
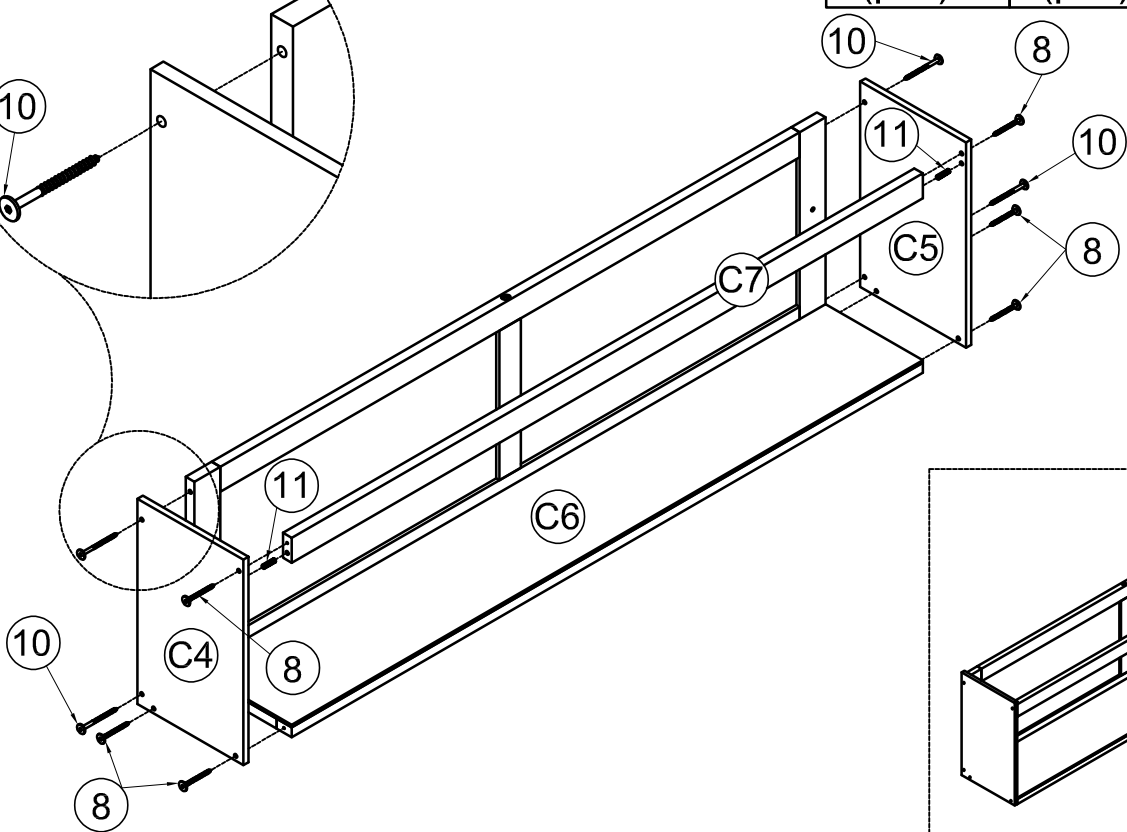


9

2(pcs)

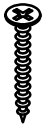
STEP4: Following below illustration.

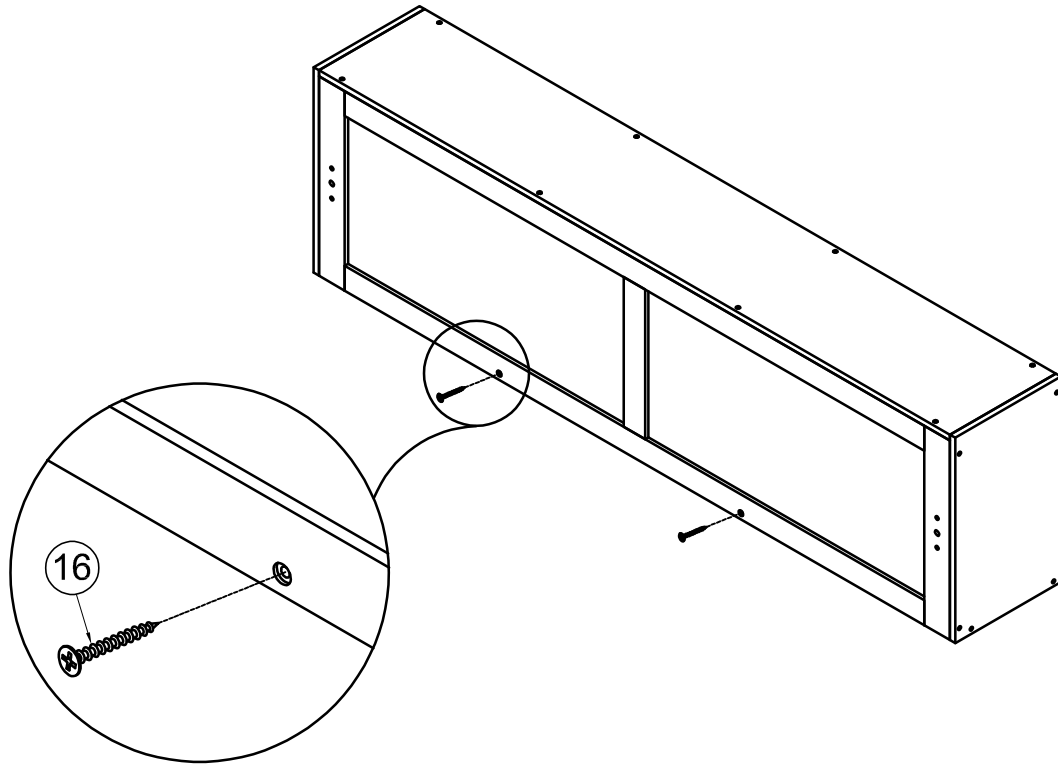


11	8	10
		
2(pcs)	6(pcs)	4(pcs)

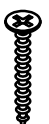


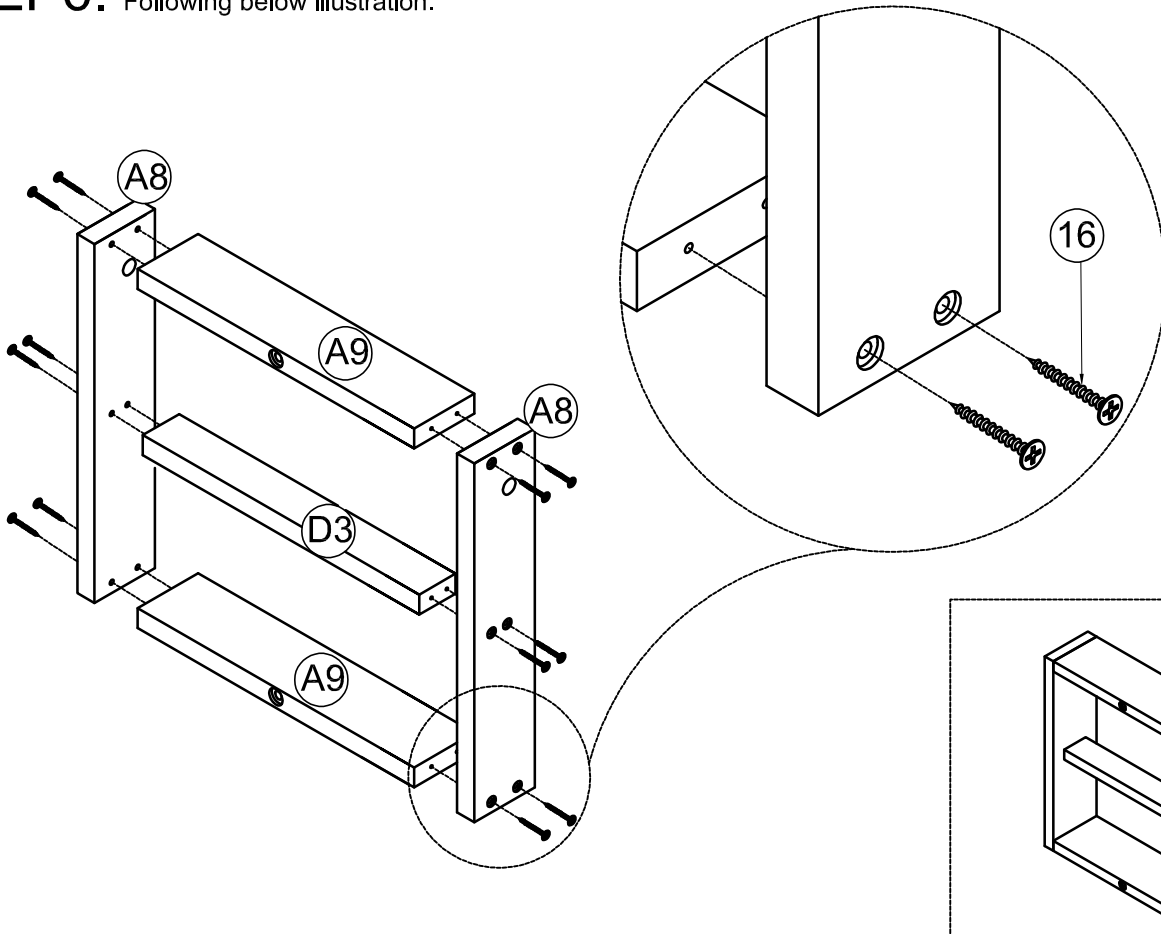
STEP5: Following below illustration.

16 
2(pcs)

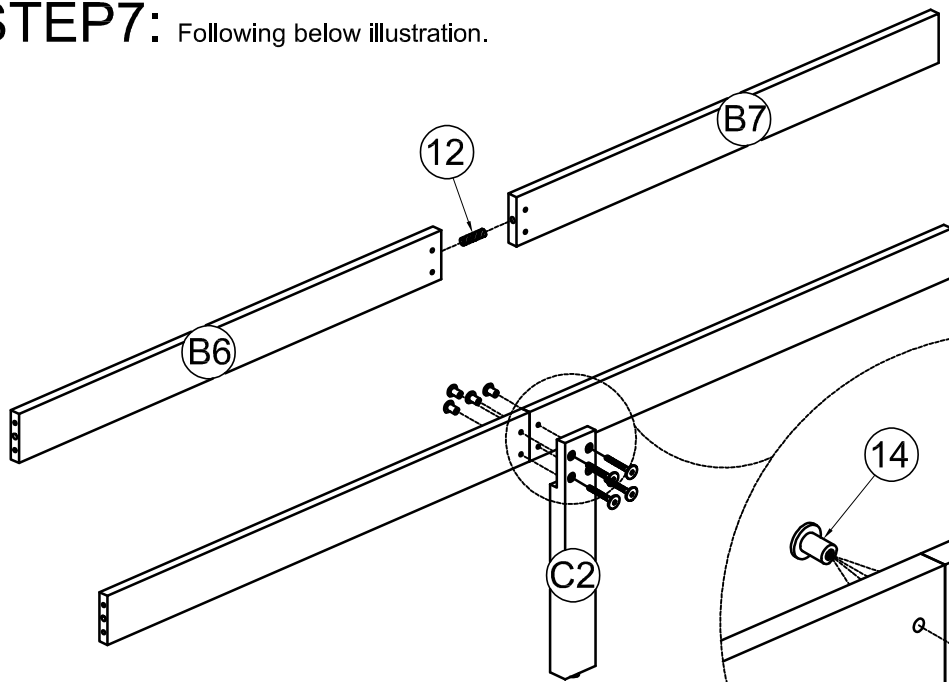





STEP6: Following below illustration.

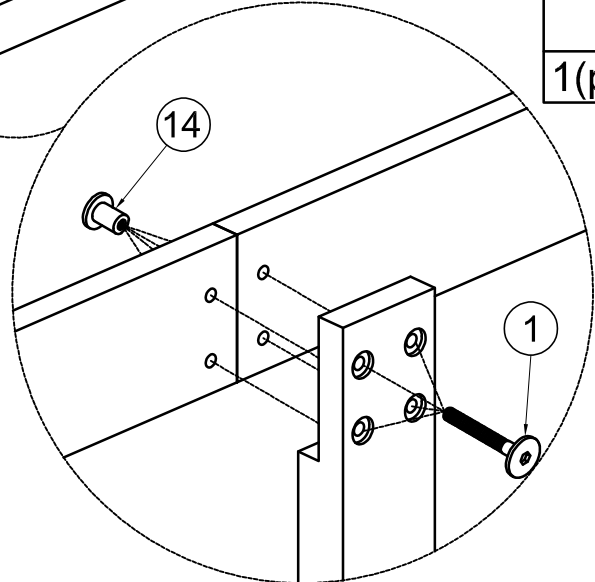
16 
12(pcs)



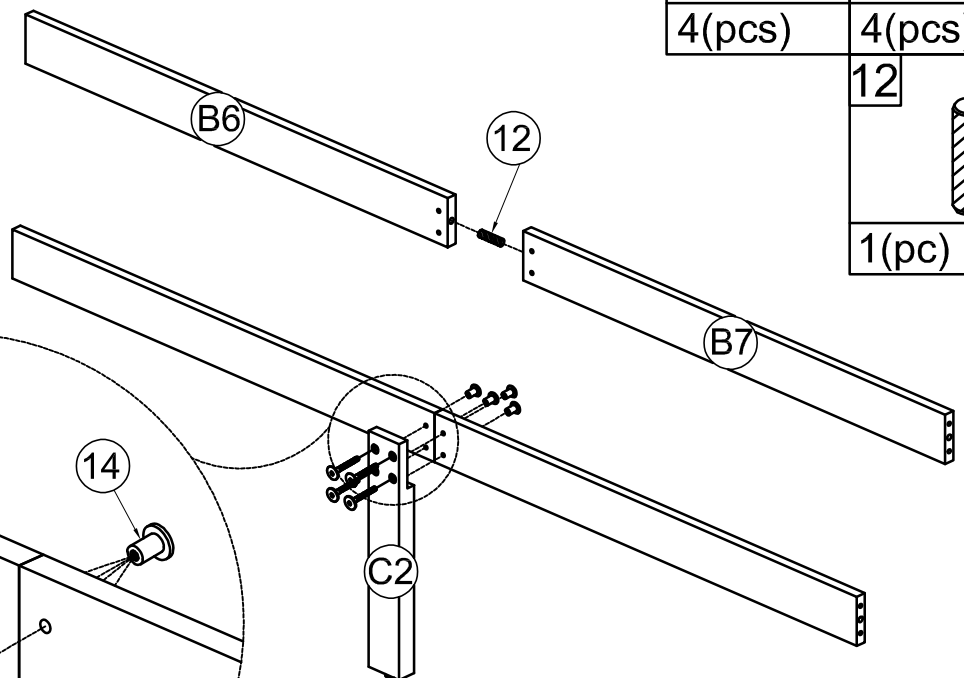
STEP7: Following below illustration.






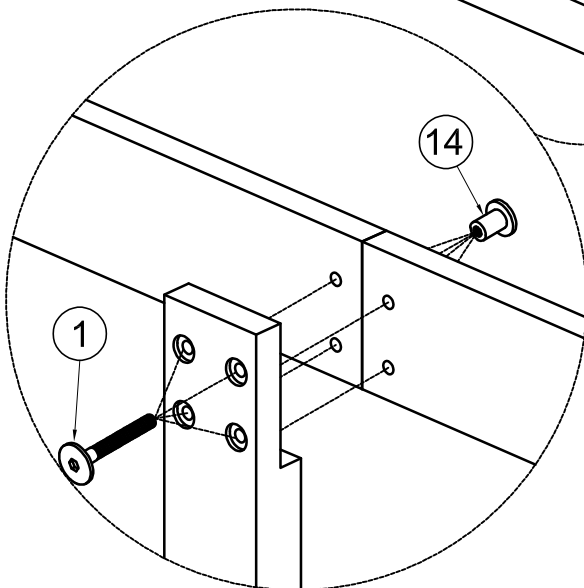
1		14	
4(pcs)		4(pcs)	
		12	
		1(pc)	



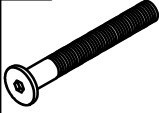



STEP8: Following below illustration.

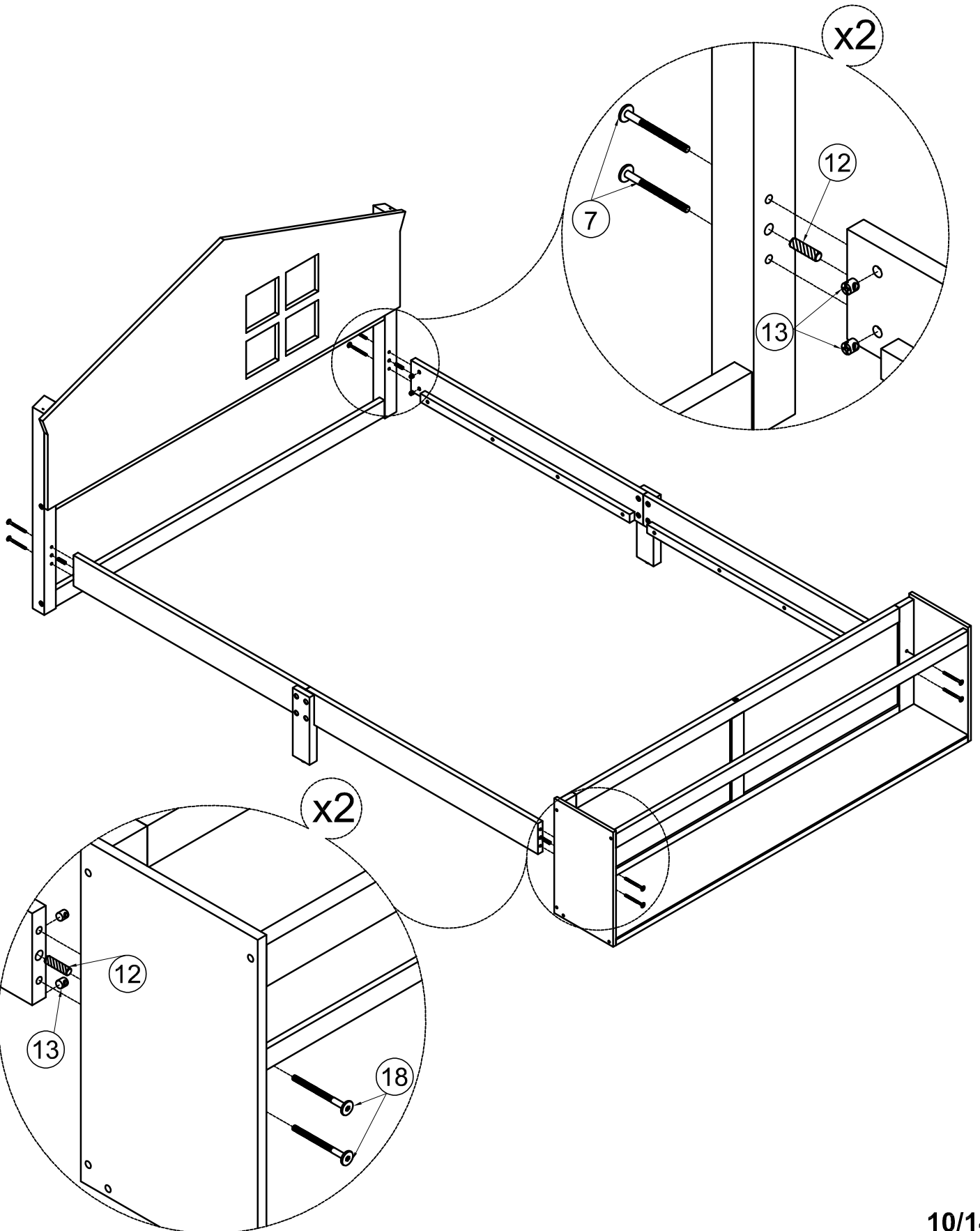


1		14	
4(pcs)		4(pcs)	
		12	
		1(pc)	


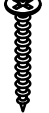


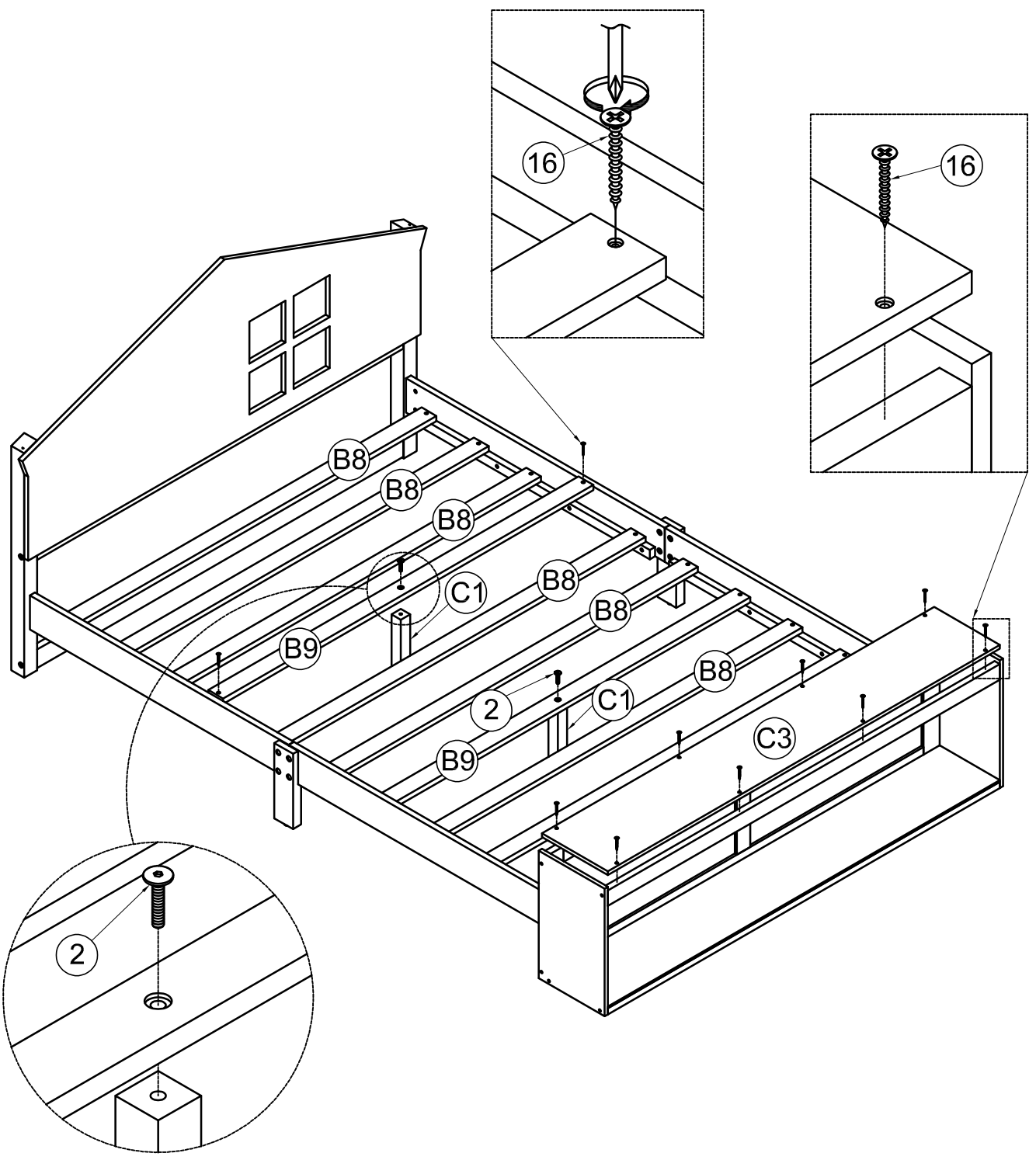
STEP9: Following below illustration.

18	13	7	12
			
4(pcs)	8(pcs)	4(pcs)	4(pcs)

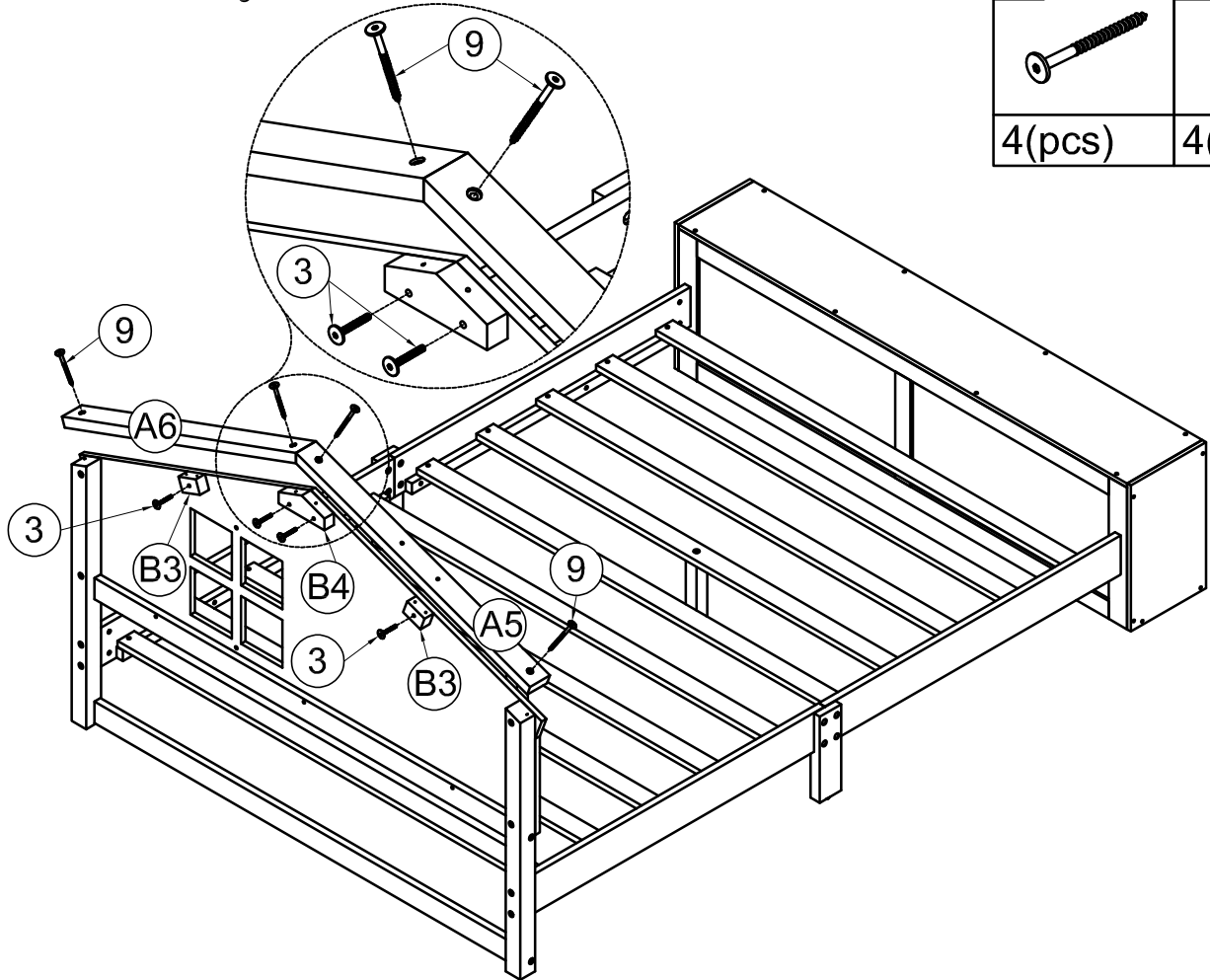


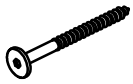

STEP10: Following below illustration.

2		16	
2(pcs)		28(pcs)	

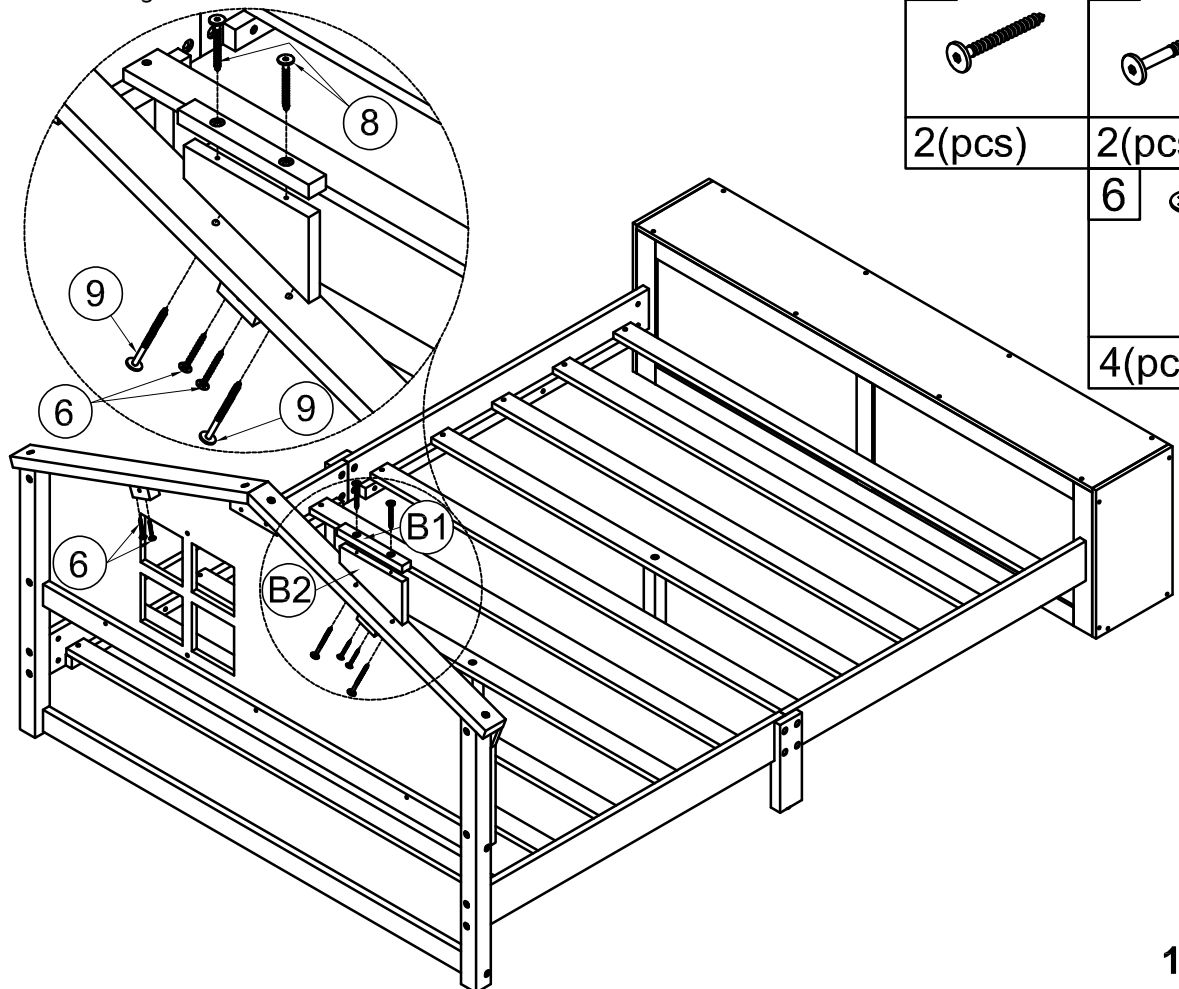





STEP11: Following below illustration.



9	3
	
4(pcs)	4(pcs)

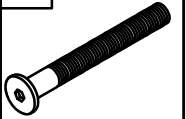
STEP12: Following below illustration.



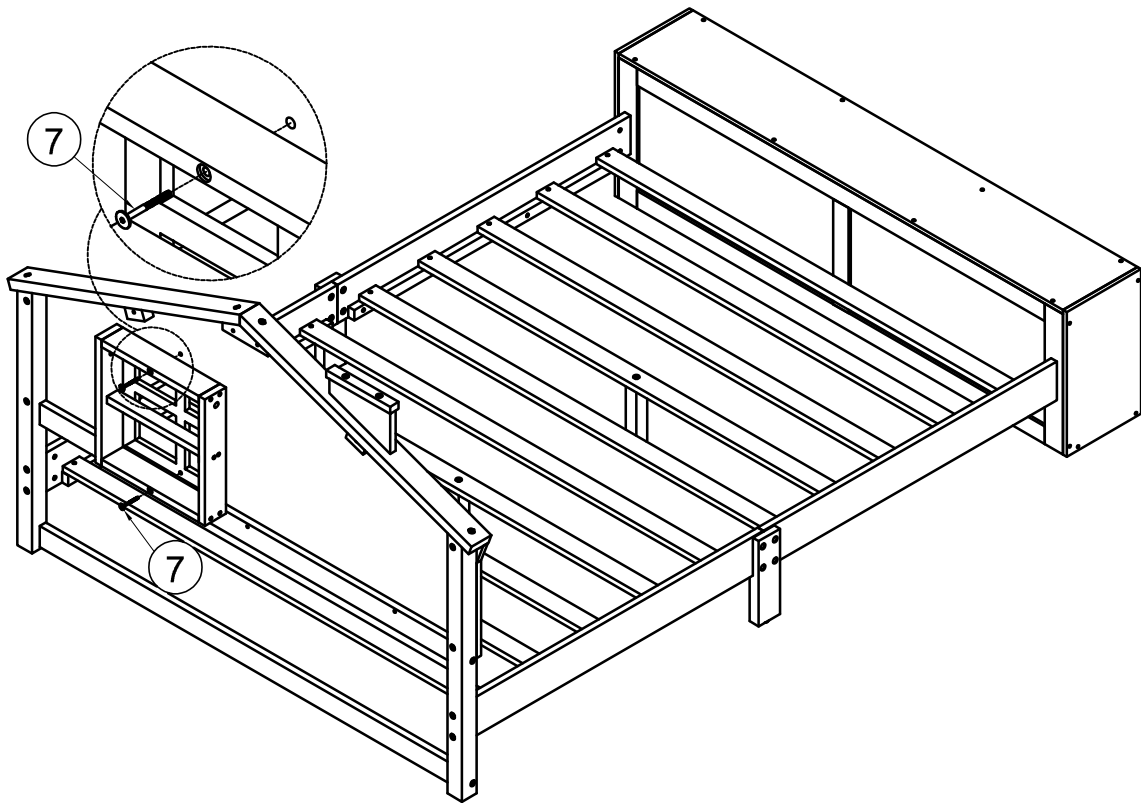
8	9
	
2(pcs)	2(pcs)
	6
	
	4(pcs)

STEP13: Following below illustration.

7



2(pcs)

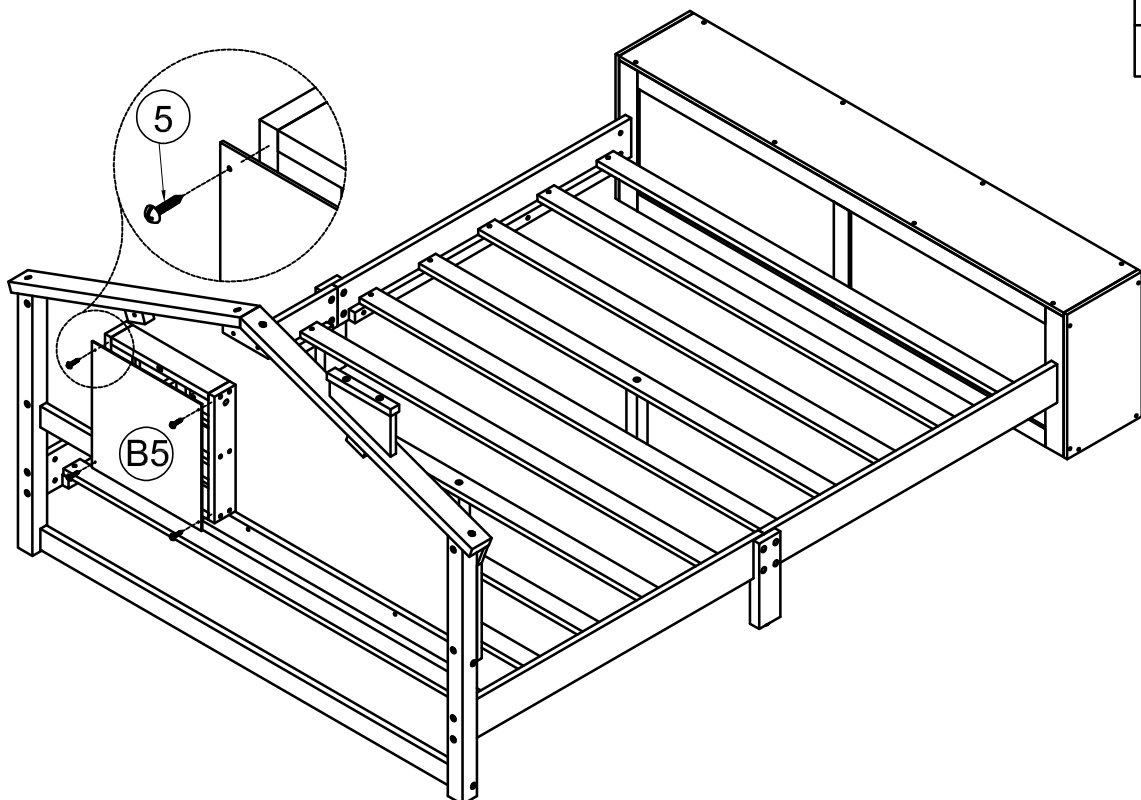


STEP14: Following below illustration.

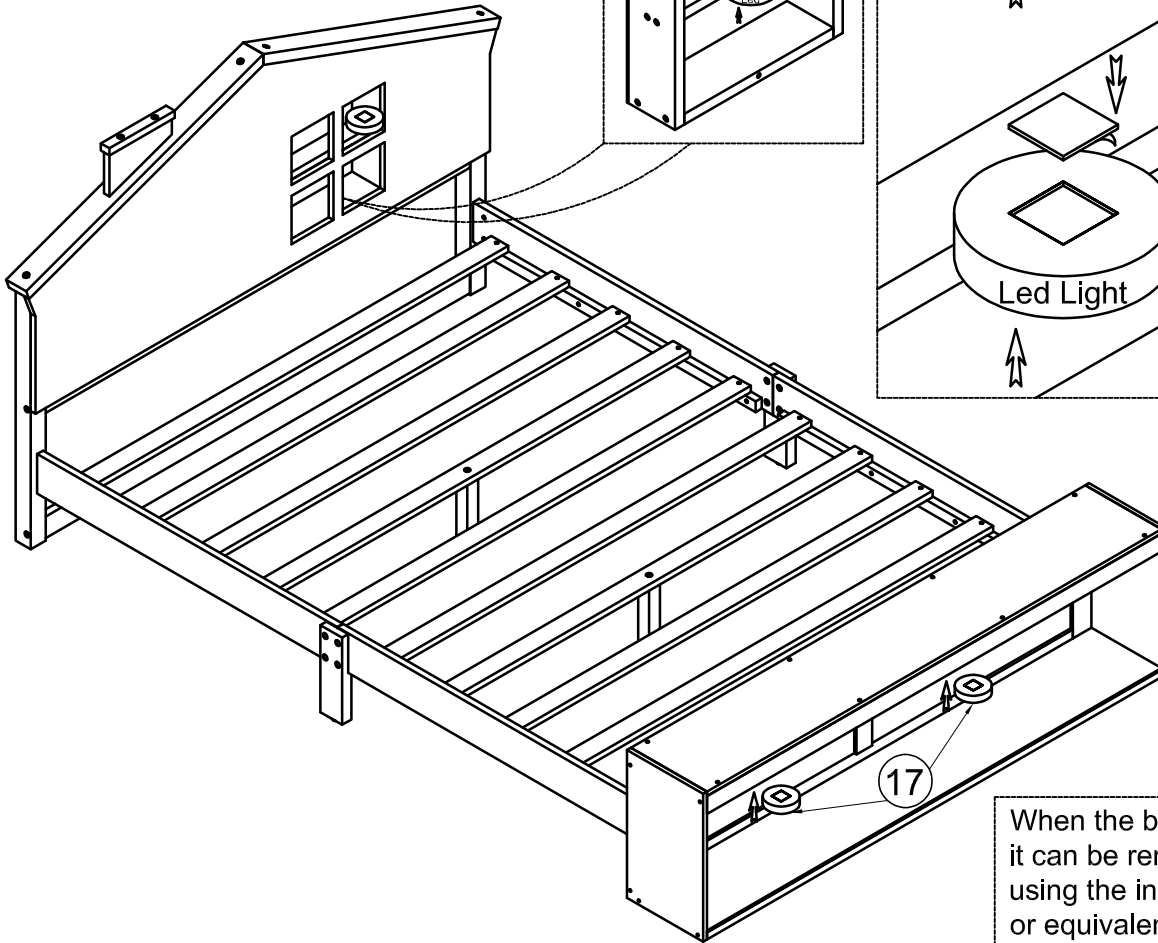
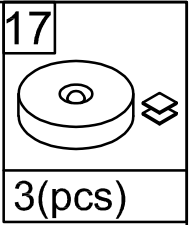
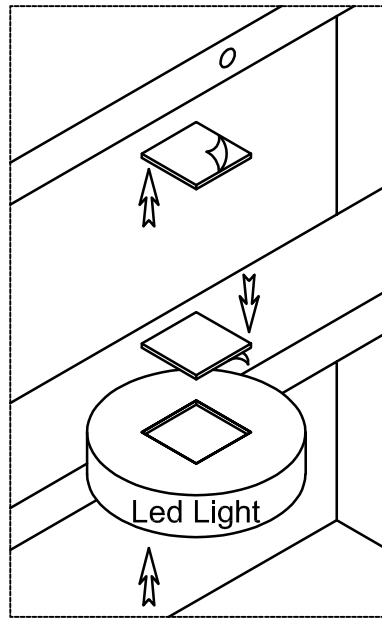
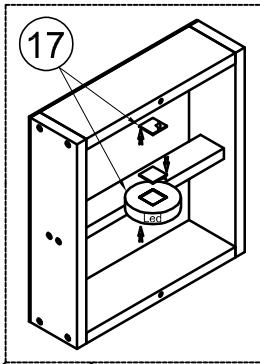
5



4(pcs)



STEP15: Following below illustration.



When the battery runs out, it can be removed and charged using the included charging cord or equivalent.

