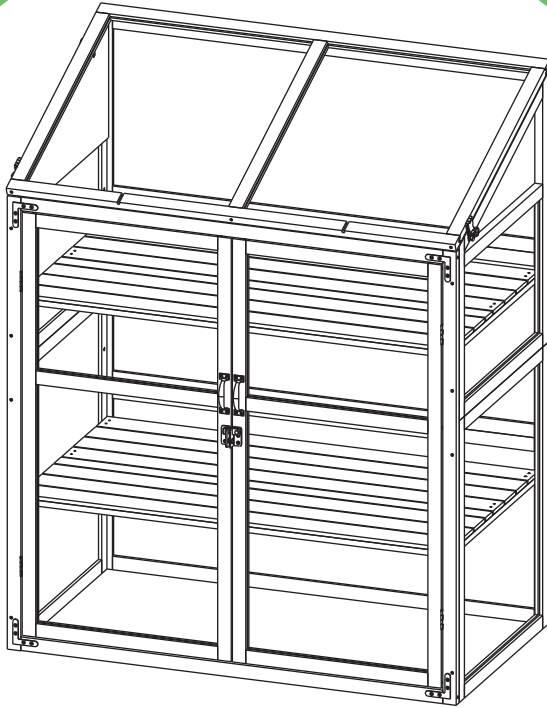


# USER MANUAL

Wooden **Greenhouse** Cold Frame



# I . CATALOG

- I CATALOG ..... 1
- II PRODUCT PRECAUTIONS ..... 2
- III DISCLAIMER ..... 2
- IV INSTALLATION PREPARATION ..... 3
- V ACCESSORIES LIST ..... 4
- VI INSTALLATION INSTRUCTION ..... 6
- VII WARRANTY ..... 9
- VIII RETURN/REPLACEMENT POLICY ..... 10
- IX CARE AND MAINTENANCE ..... 11

## II .PRODUCT PRECAUTIONS



Read and follow the information in the user's manual.



Please keep kids away from small components to ensure safety.



Recommend to cover the item in extreme weather.



The item is polished, can be DIY for freely.



To prolong the service life, recommend to oil.



Do not place overweight items.



Please handle wood and other accessories properly.

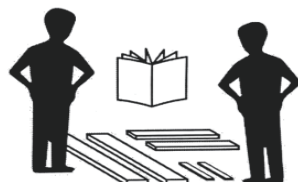
## III .DISCLAIMER

We ask that you read this manual completely before assembling and operating your new item. We are not and cannot be held responsible for any damage or injury incurred due to improper or unsafe use of the item. We specifically disclaim responsibility for any bodily injury or property damage that may occur during any use that does not comply with applicable federal, state, or local laws or ordinances. Please keep this manual for future reference.

## IV .INSTALLATION PREPARATION

1. Please prepare a carpet or mat to protect your floor. You need to spread out all the accessories.

2. Please prepare a pair of gloves to avoid being scratched by sharp wooden sawdust that may occur during installation.



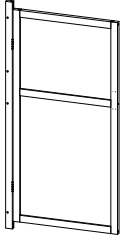
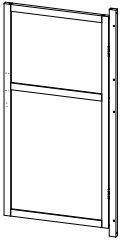
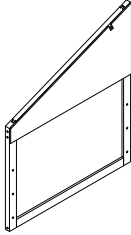
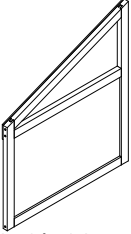
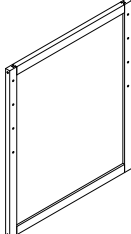

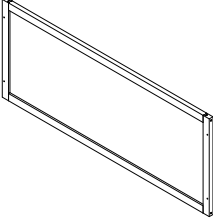
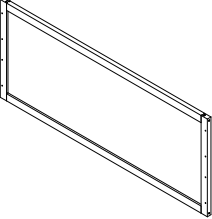
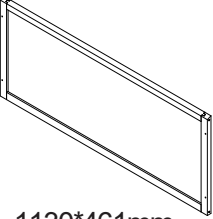
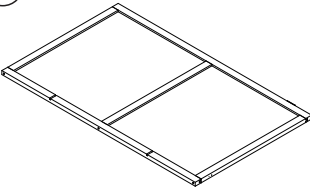
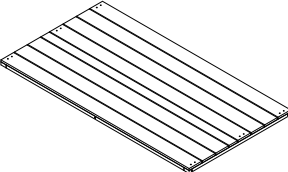
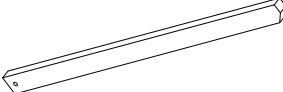
3. Please open all the boxes to check that the accessories are complete and in good condition (The accessories list in page 4).

4. The box contains some **small components**, please place them properly before installation to keep them **away from kids** and ensure safety.





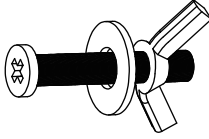

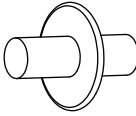
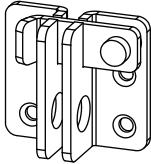

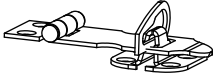
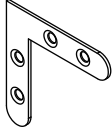
5. If you need to use power tools to install this product, **please set the speed to low speed in advance**. Due to the characteristics of wood products, the use of high speed during installation is probably to damage the wood.

6. When installing, please align all the holes and **do not tighten all the screws first**, otherwise it may make the installation difficult.

# V .ASSEMBLY INSTRUCTION

<p>①</p>  <p>1132*563mm</p>	<p>②</p>  <p>1132*563mm</p>	<p>③</p>  <p>673*590mm</p>
<p>④</p>  <p>673*590mm</p>	<p>⑤ x2</p>  <p>704*590mm</p>	<p>⑥ x2</p>  <p>1082*49mm</p>
<p>⑦</p>  <p>1130*462mm</p>	<p>⑧</p>  <p>1130*462mm</p>	<p>⑨</p>  <p>1130*461mm</p>
<p>⑩</p>  <p>1130*480mm</p>	<p>⑪ x2</p>  <p>1086*586mm</p>	<p>⑫</p>  <p>400*20mm</p>

# V .ASSEMBLY INSTRUCTION

<p><b>A 24+2PCS</b></p>  <p>3.5*40mm</p>	<p><b>B 4+2PCS</b></p>  <p>3.5*60mm</p>	<p><b>C 1+2PCS</b></p>  <p>3.0*25mm</p>
<p><b>D 45+2PCS</b></p>  <p>3.0*16mm</p>	<p><b>E 1+1PC</b></p>  <p>M6*35mm</p>	<p><b>F 1PC</b></p> 
<p><b>G 8PCS</b></p> 	<p><b>H 1PC</b></p> 	<p><b>I 2PCS</b></p> 
<p><b>J 2PCS</b></p> 	<p><b>K 4PCS</b></p> 	

**Kindly Note:**

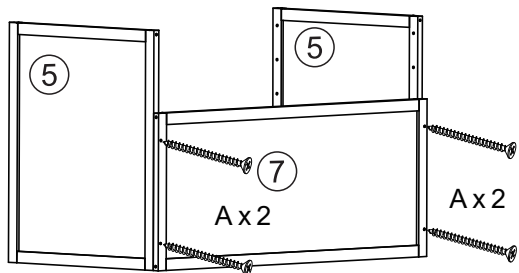
- 1.Please check the quantity of all parts before installing the product.
- 2.Please do not tighten the screws before completing all the installation steps.

# VI. INSTALLATION INSTRUCTION

Q:How to solve the hole misalignment?

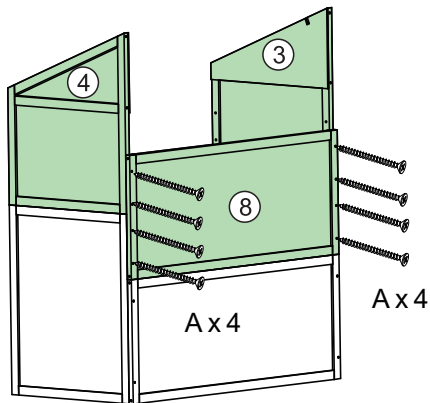
A:Please do not tighten all the screws until aligning all the holes.

## Step 1



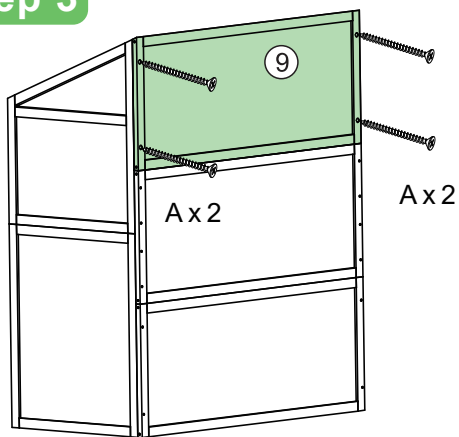
- (5) x2
- (7) x1
- A x4

## Step 2



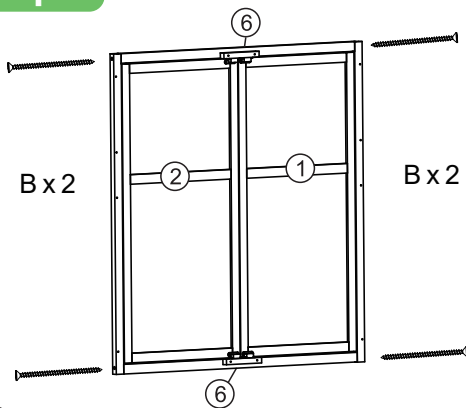
- (3) x1
- (4) x1
- (8) x1
- A x8

## Step 3



- (9) x1
- A x4

## Step 4



- (1) x1
- (2) x1
- (6) x2
- B x4

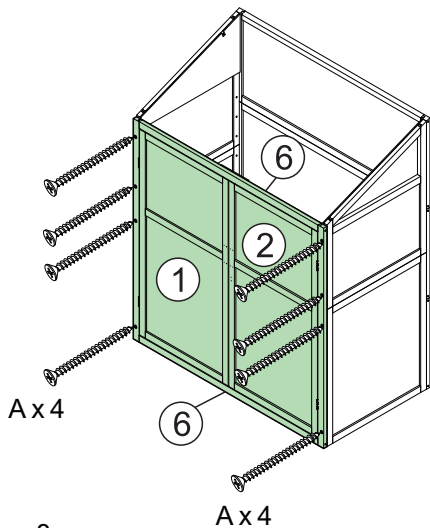
**!** Please note:  
The direction of Part #6.

# VI. INSTALLATION INSTRUCTION

Q:How to solve the hole misalignment?

A:Please do not tighten all the screws until aligning all the holes.

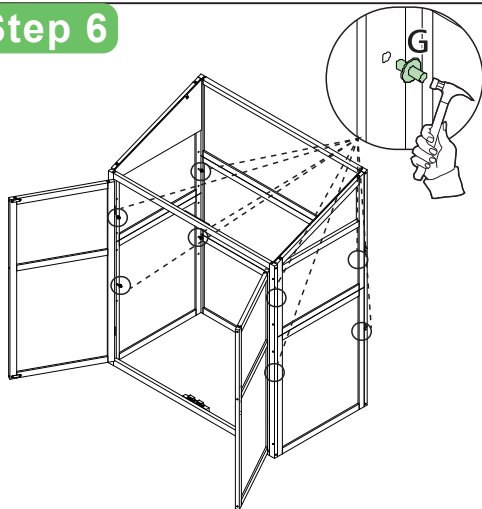
## Step 5



A x 4

A x 4

## Step 6



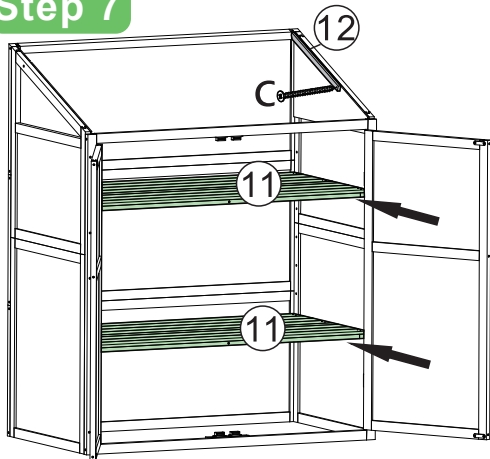
G x 8



**Please note:**

You could feel free to place them as you like to determine the height of the tier.

## Step 7



①① x2

①② x1

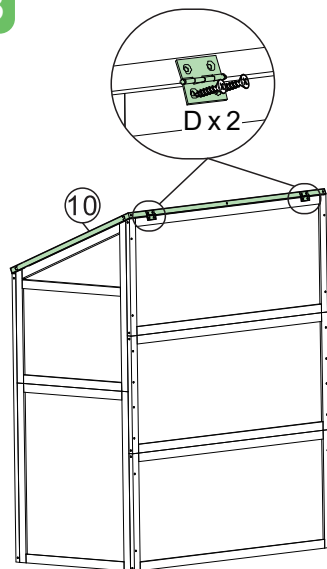
C x1



**Please note:**

Do not tighten the Part#C too tightly, you could use it to adjust the height.

## Step 8



①⑩ x1

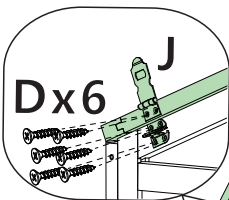
D x4

# VI. INSTALLATION INSTRUCTION

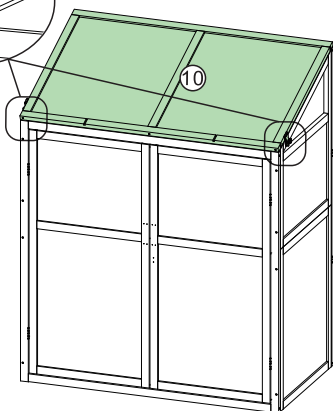
Q:How to solve the hole misalignment?

A:Please do not tighten all the screws until aligning all the holes.

## Step 9

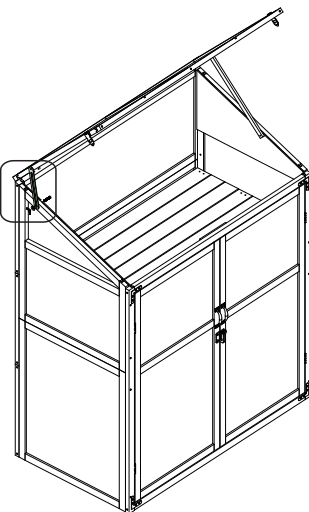
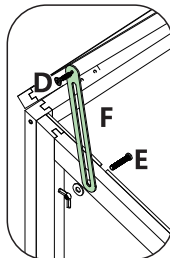


**Please note:**  
Install the top half of J first and then install the bottom half.



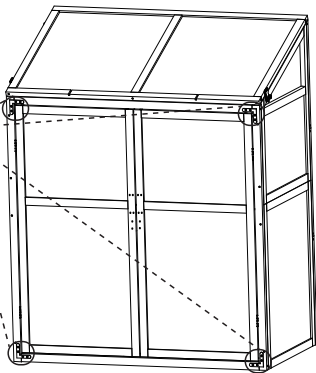
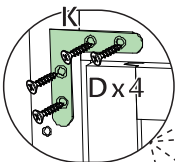
J x2  
D x12

## Step10



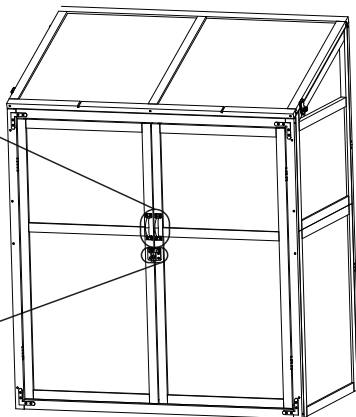
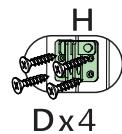
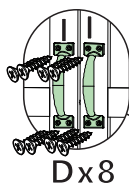
D x1  
E x1  
F x1

## Step11



D x16  
K x4

## Step12



D x12  
H x1  
I x2

## VII. WARRANTY

Wood	1 Year
Hardware	6 Months

### Limitations Applicable to All Warranties

**All warranties begin on the date of delivery.**

**All warranties are to the original purchaser**

**from MCOMBO /EXACME ONLY.**

## VIII. WARRANTY DETAIL EXPLANATION

- Mcombo will replace the defective parts or send a replacement item provided that the warranty parts have not been subjected to misuse, abuse, or improper service by the consumer, for example, damaged part arising in.

**-Exclusions also include components with damage caused by:**

Contamination

Abuse, misuse, accident or negligence

Commercial use, or use other than normal

Improper operation maintenance, or storage

- Mcombo will pay standard shipping rates on all warranted parts for the first year. We can also sell you the replacement part for a discount price when your item is out of warranty policy.

## IX. RETURN/REPLACEMENT POLICY

**MCOMBO:** All items come with a 30-day return/replace policy, during this time, we will cover the shipping cost of return and replacement for a defective and damaged item, and provide pre-paid return labels or pick-up service.

**Note:** Please disassemble the item before you return it, otherwise there will be a huge cost as oversized and it could even exceed your order amount.

**Please do not purchase return labels for a damaged defective item by yourself.**

If you have any problem to return the item please contact us immediately, we will do our best to help you.

Mcombo is not responsible for the returns that the customer bought by mistake or changed their mind and other non-quality issues. But we can help customers to return the items.

**Note:** The customer is responsible for freight costs unless the item is defective items returned due to being refused delivery by the customer or deemed undeliverable by freight carrier are subject to fees for a 20% restocking fee.

6057-1344

---

