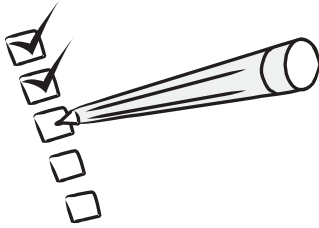


Dear Customer,

We design and produce our products for people to love and have fun with them as we do.

The product you bought was subjected to all sorts of tests and control before sending out to you.



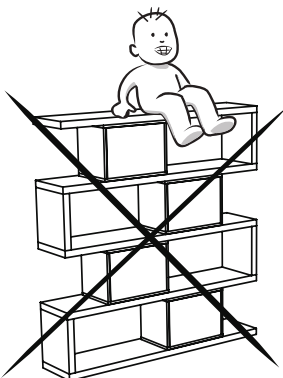
Before start assembling, please check the whole components and accessories according to the lists. If you bought more than one product, to prevent confusion be sure that you completed the first product. Then start the other product's assembling.



Before start assembling, please clean all the components with a damp cloth. Also for usual cleaning, this will be enough.



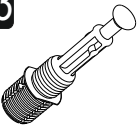


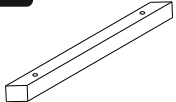

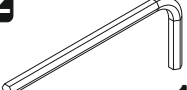

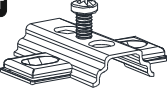

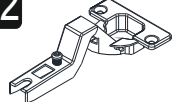


Although all the products are produced and packed carefully, some mes happen that some component is damaged during the transportation. In such a case please check the missing or damaged part and do not hesitate to contact us.



Do not use your furniture for out of purposes. If you would like to use it, please contact us for further questions.

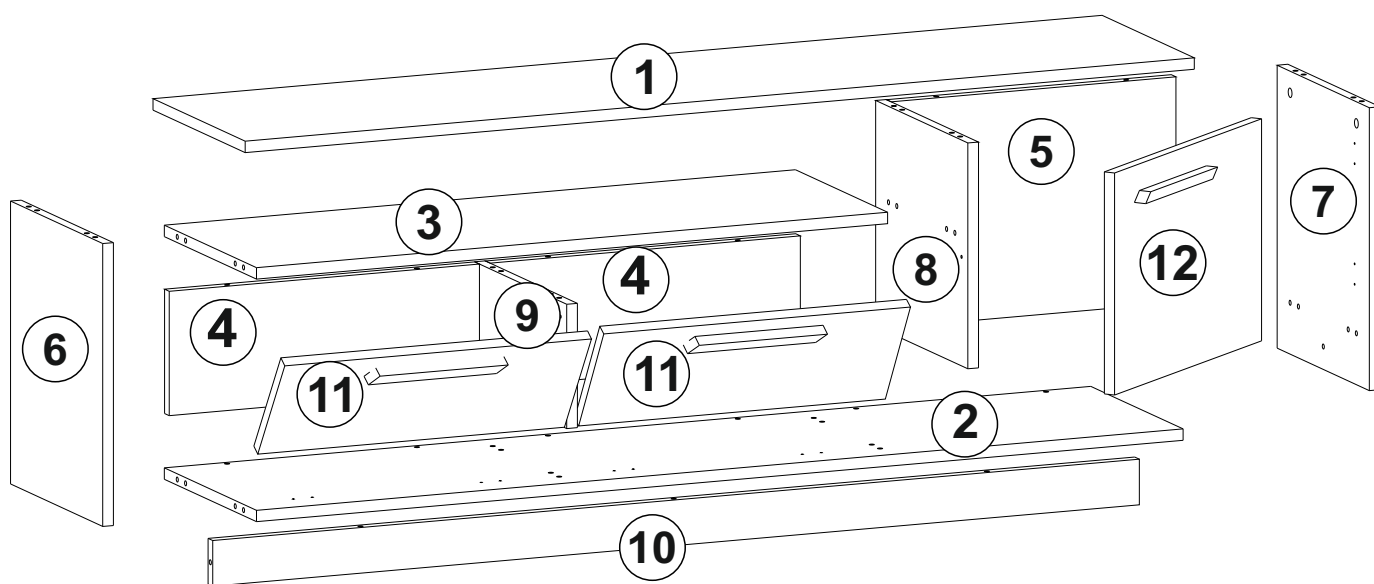
Do not directly contact your furniture with excessive heat, cold and humidity because the product can be affected..

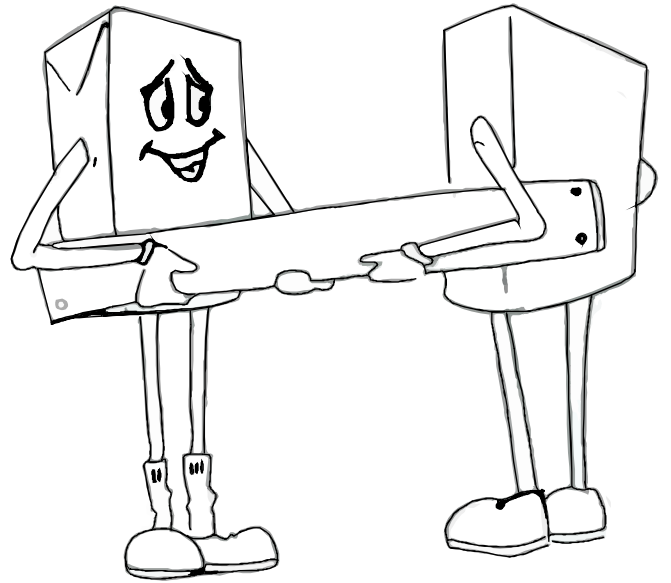
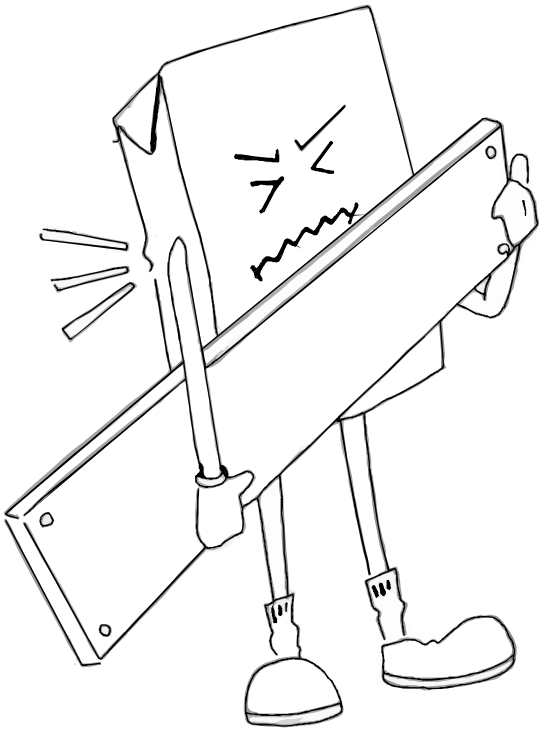
# ACCESSORY LIST

<b>A23</b> Minifix M8  37x	<b>A22</b> Minifix G18  37x	<b>A04</b> KVLY  20x	<b>K20</b>  3x	<b>A18</b> 3,5x18  24x
<b>A12</b> ALYN  4 sw 1x	<b>A06</b> 18 mm  R1 32x	<b>C04</b> MA  6x	<b>A65</b> RP  5x	<b>C02</b> SDM  6x
<b>A06</b> 18 mm  R2 5x	<b>A49</b> KLPVD  22mm 6x			

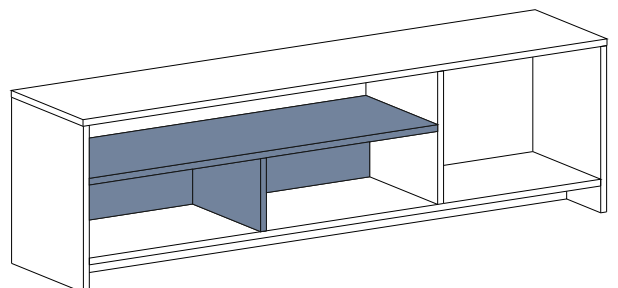
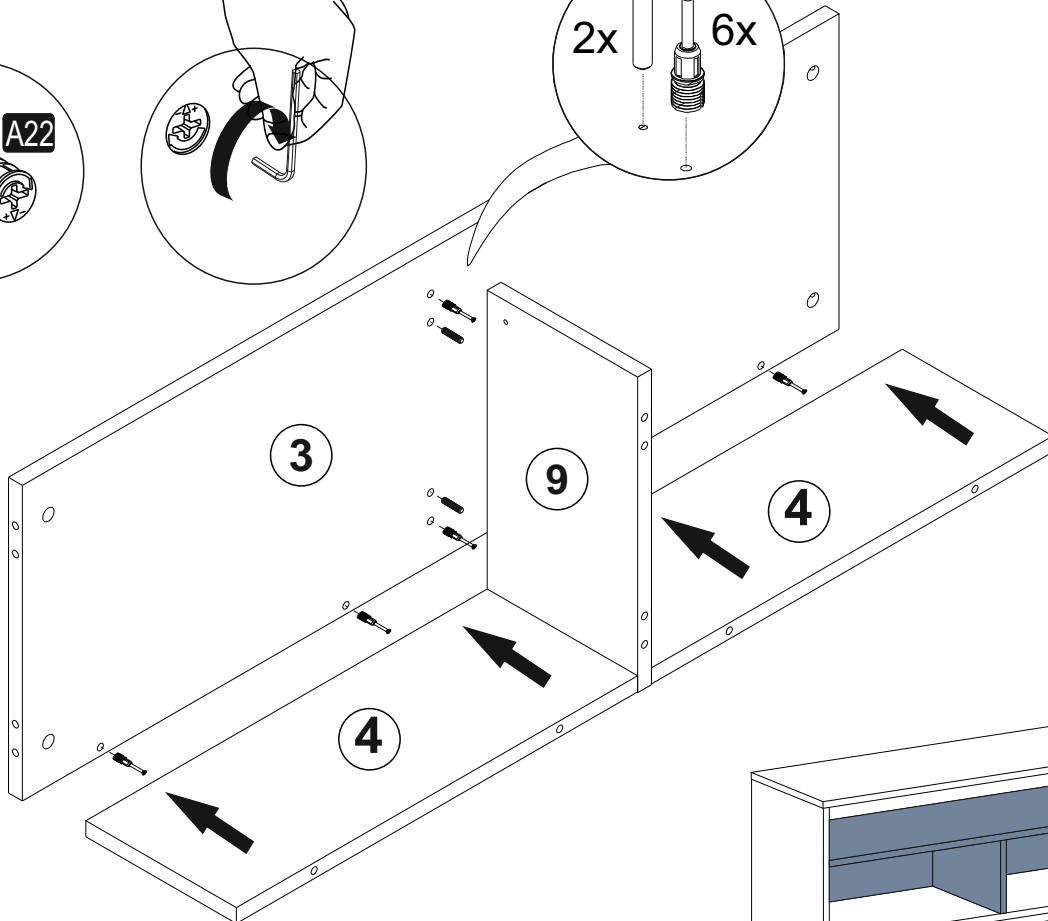
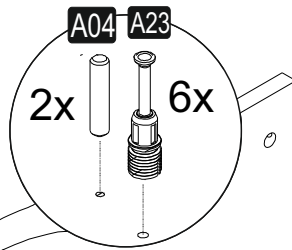
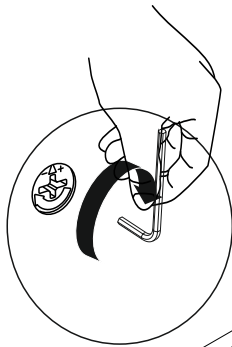
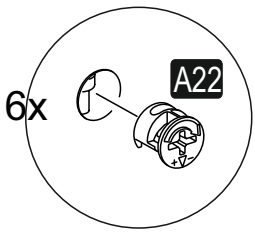
## GENERAL VIEW

1016.01	1	1.600	356
1016.02	1	1.562	356
1016.03	1	1.064	356
1016.04	2	523	196
1016.05	1	480	356
1016.06	1	446	356
1016.07	1	446	356
1016.08	1	356	356
1016.09	1	196	356
1016.10	1	1.562	72
1016.11	2	517	190
1016.12	1	474	350

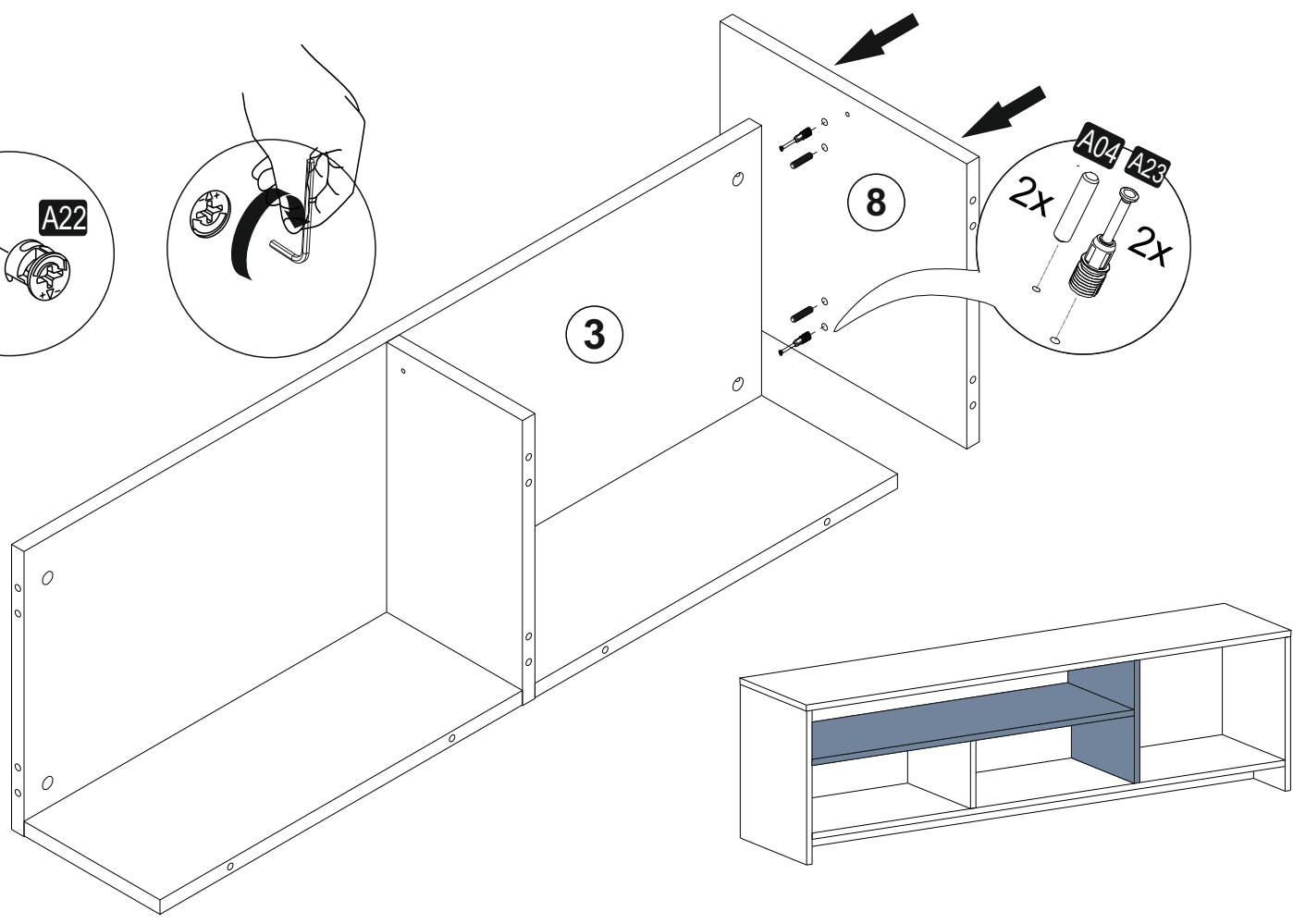
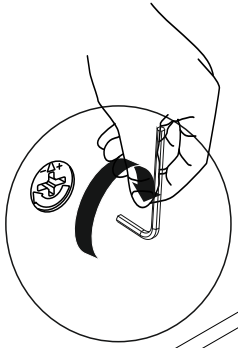
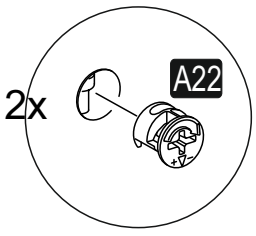




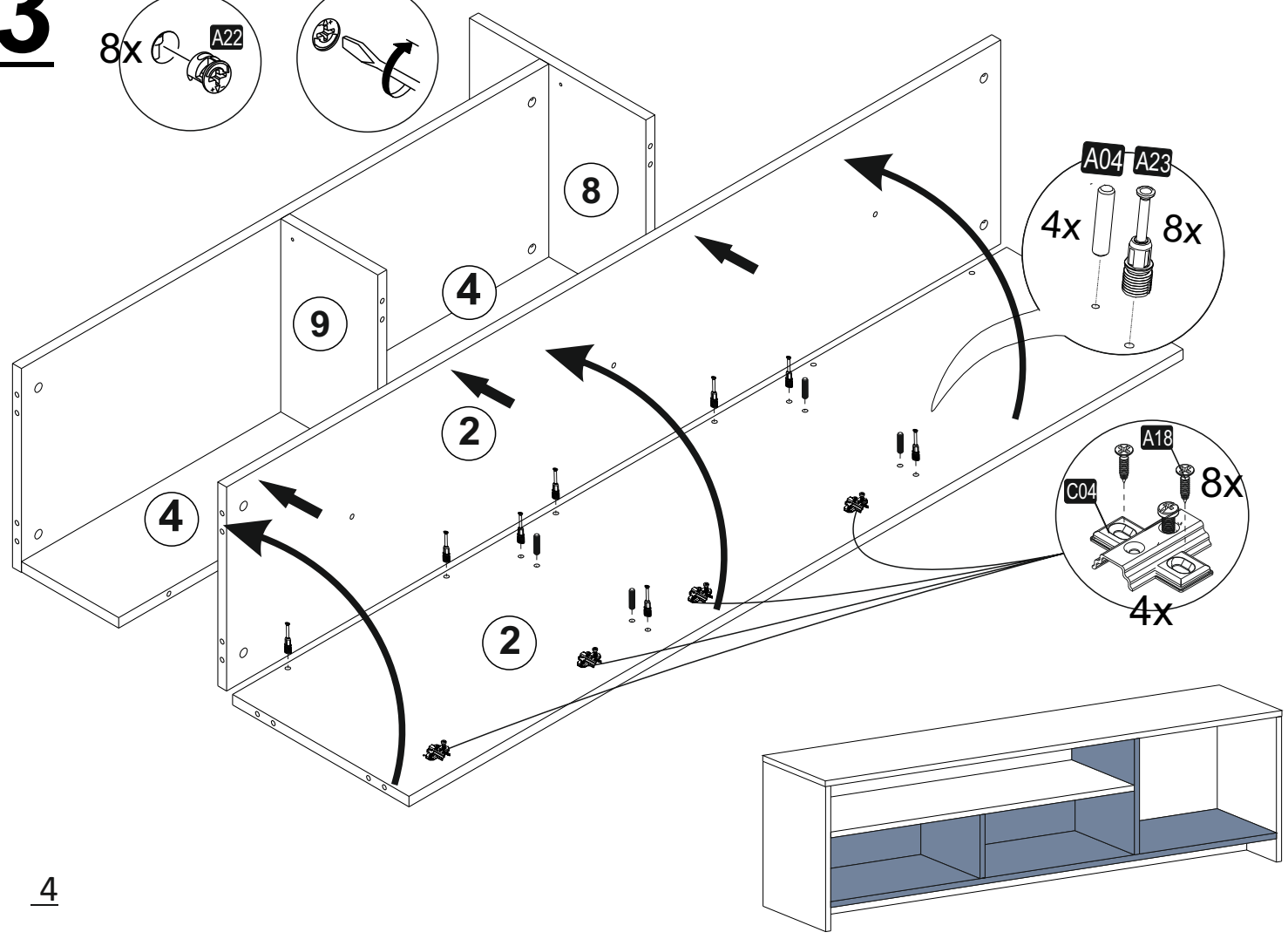
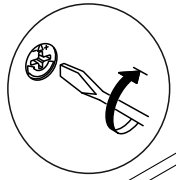
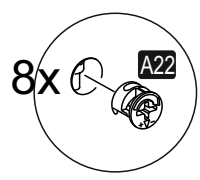
**1**



# 2

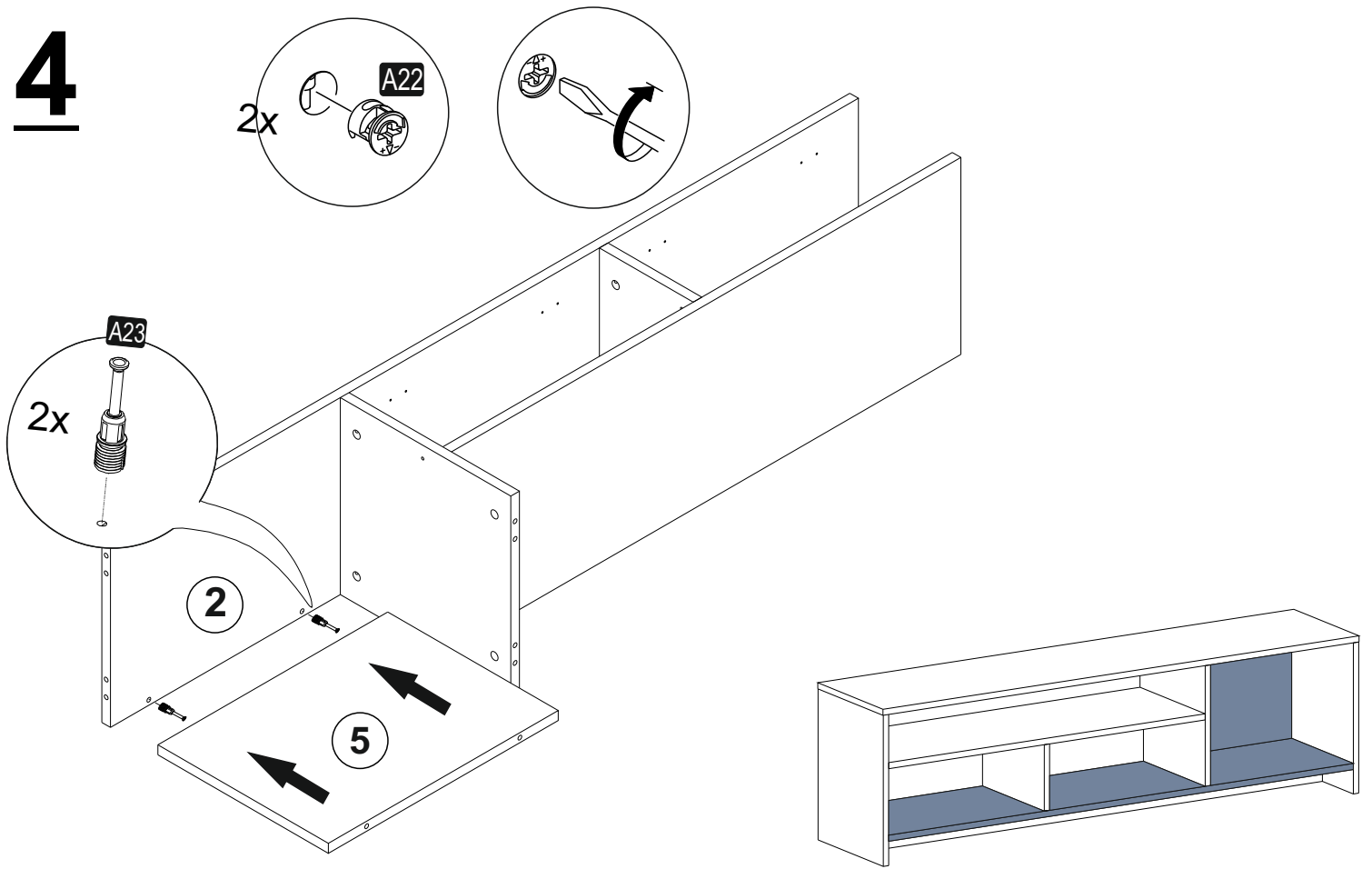


# 3

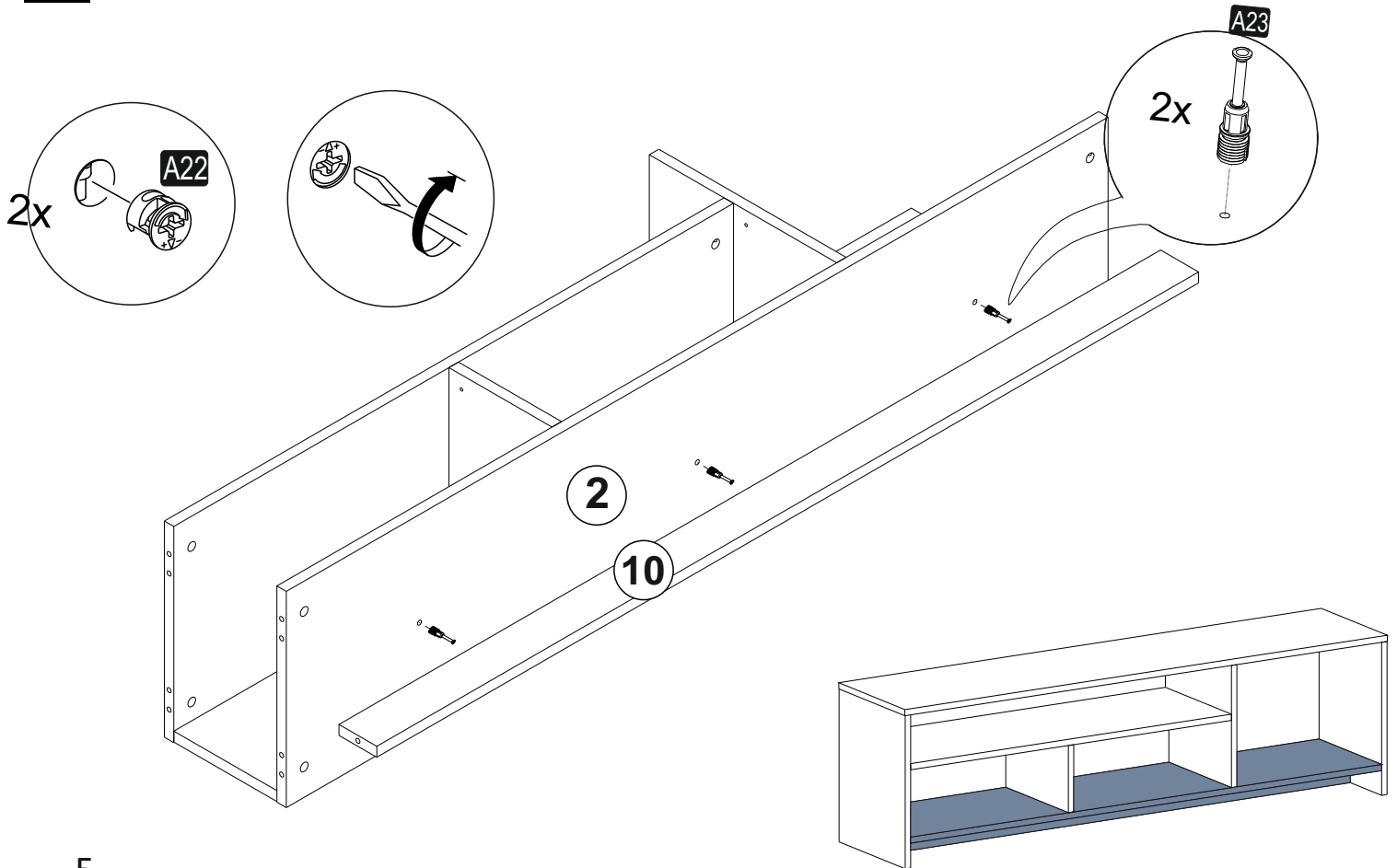


4

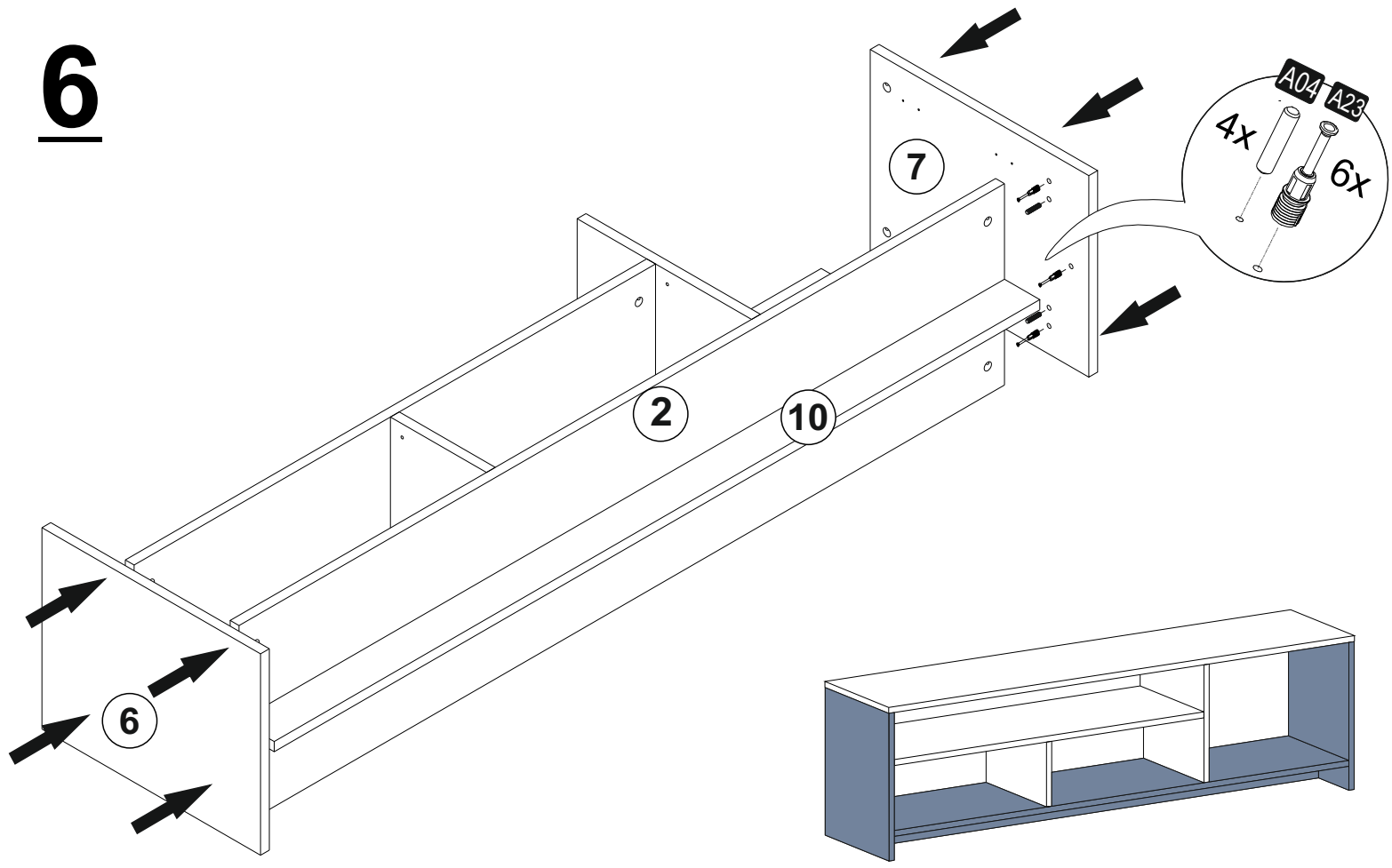
# 4



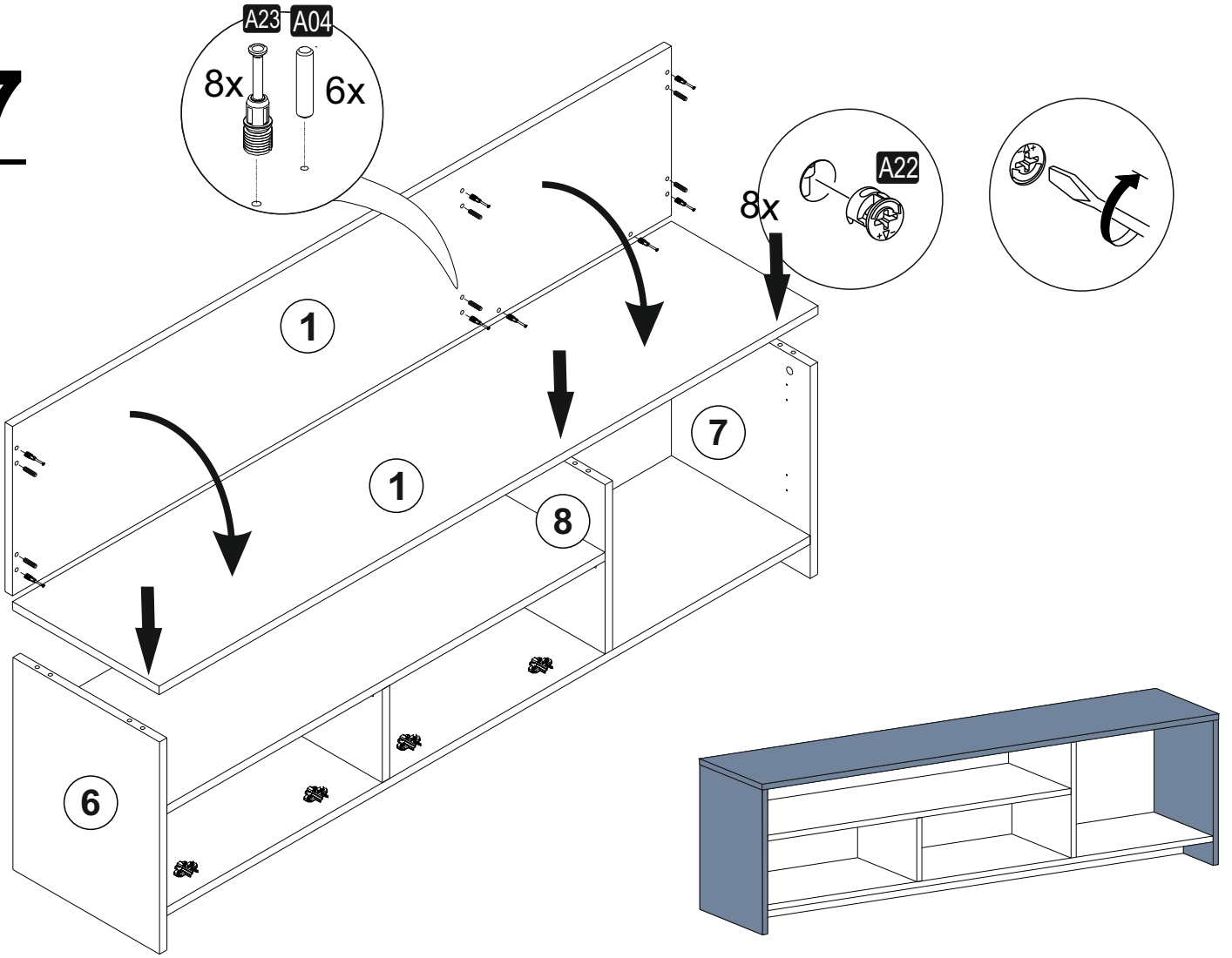
# 5



**6**



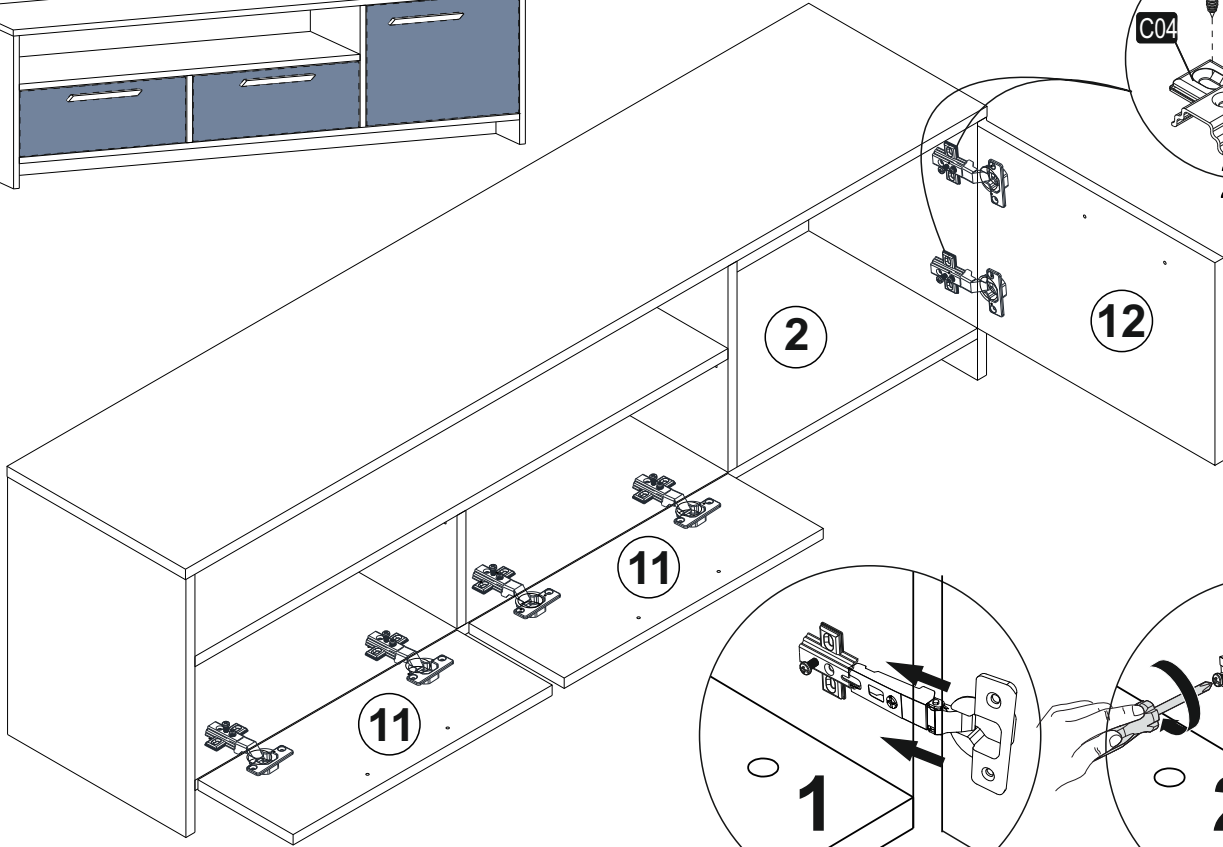
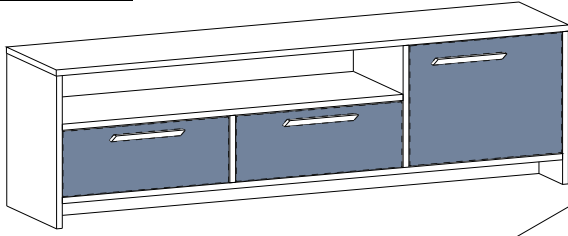
**7**



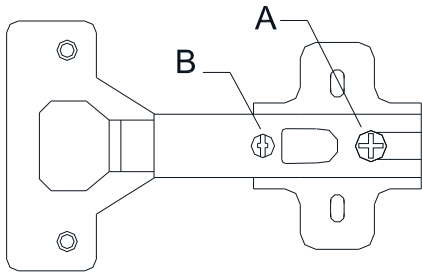
**6**



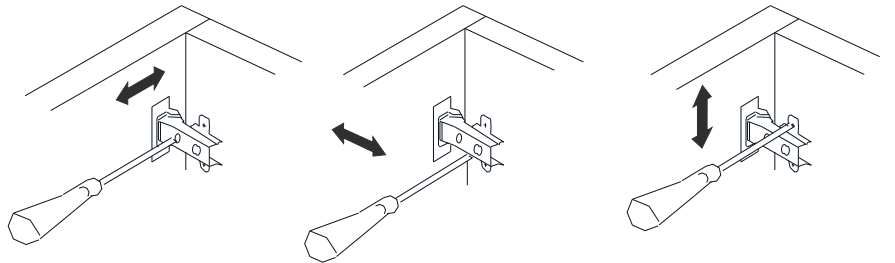
# 10



# 11



A= menteşe bağlama vidası / to connect the hinge to the door  
B= kapak ayar vidası / to arrange the door



oklar kapağın ayarlama yönünü gösterir.  
arrows to show the directions for arrangement of doors.



# **WARNING**

## **CHOKING HAZARD**

- This unit contains small parts which could be a choking hazard for small children. Children should be under adult supervision at all times.
- Do not overload the unit. Each shelf has a recommended capacity of 13 pounds, and the total weight on the unit should not exceed 39 pounds for wall shelves.
- Do not climb, step, or stand on the unit.
- Do not mount or attach items to the front, rear, or sides of the unit. This can cause the unit to become unbalanced and fall.
- Do not stack units.
- All units must be secured individually to wall studs using hardware provided. If wall studs are not accessible, consult your local hardware store for appropriate mounting hardware.
- We recommend you hand-tighten screws. Use care not to overtighten if using power tools. Follow proper safety procedures if using power tools and/or ladders.
- We recommend you protect your work surface during assembly to prevent scratching or damage to tabletops, wood floors, etc.
- Failure to follow the instructions listed here could result in bodily injury or damage to personal belongings. Use caution and follow safety procedures.