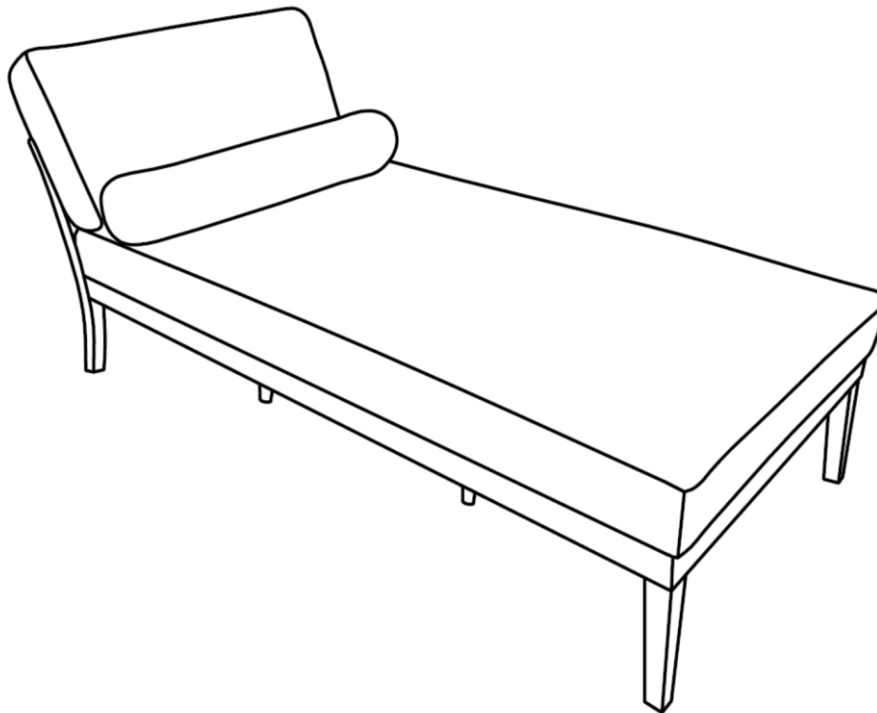


Assembly Instructions

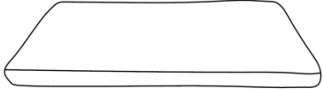
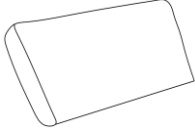
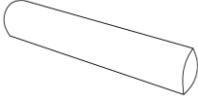


Chaise

Caution: You must read this before you proceed.









Parts List

Label	Picture	Description	Qty
A	A line drawing of the seat frame, which is a rectangular metal grid structure.	Seat Frame	1
B	A line drawing of the back frame, which is a curved metal structure with two horizontal bars.	Back Frame	1

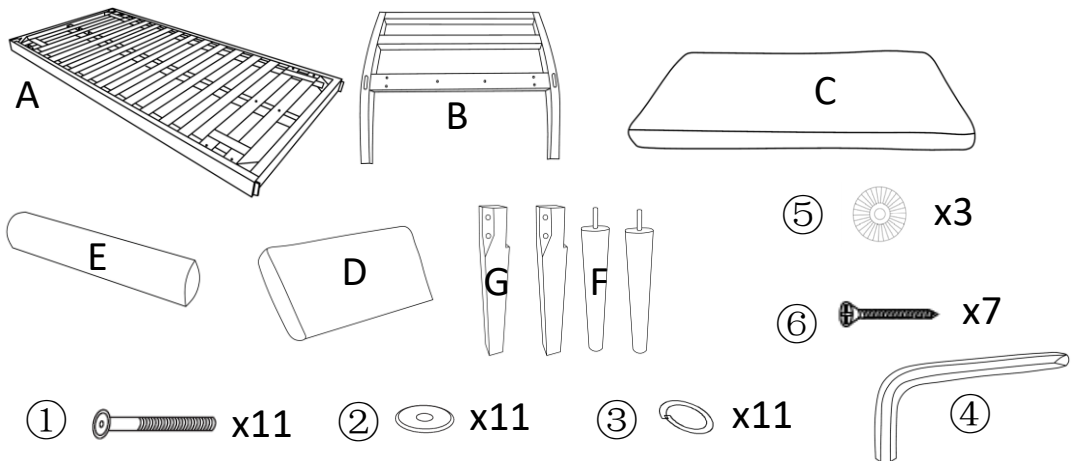
C		Seat Cushion	1
D		Back Cushion	1
E		Pillow	1
F		Middle Legs	2
G		Front Legs	2

Hardware

Label	Picture	Description	Qty
①		Bolt (M8*50MM)	11
②		Washer	11
③		Spring Washer	11
④		Allen Wrench	1
⑤		Washer Rings	3
⑥		Screw (M4*25mm)	7

Assembly Preparation

Before Beginning Assembly:



- Read instructions, cover to cover-



- Have 2 adults on hand for assembly-



- Do not assemble on flooring or carpet-



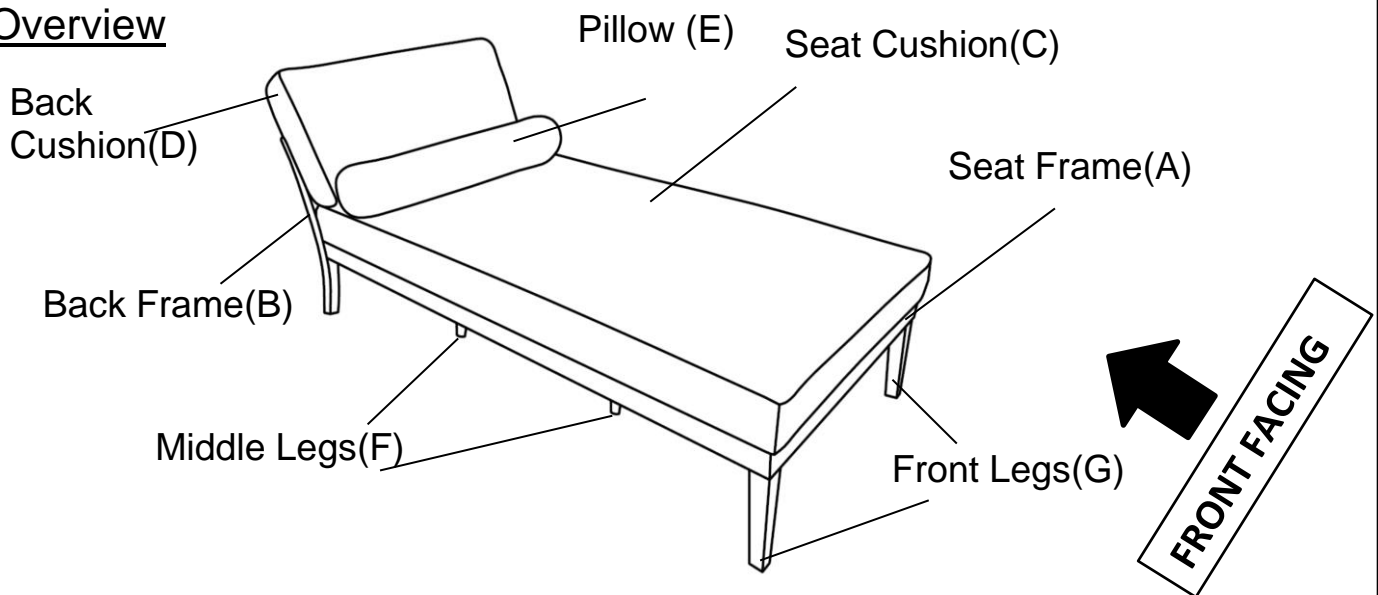
- Assemble on a clean non-marring surface (packing foam)-



- Save all packaging until finished-

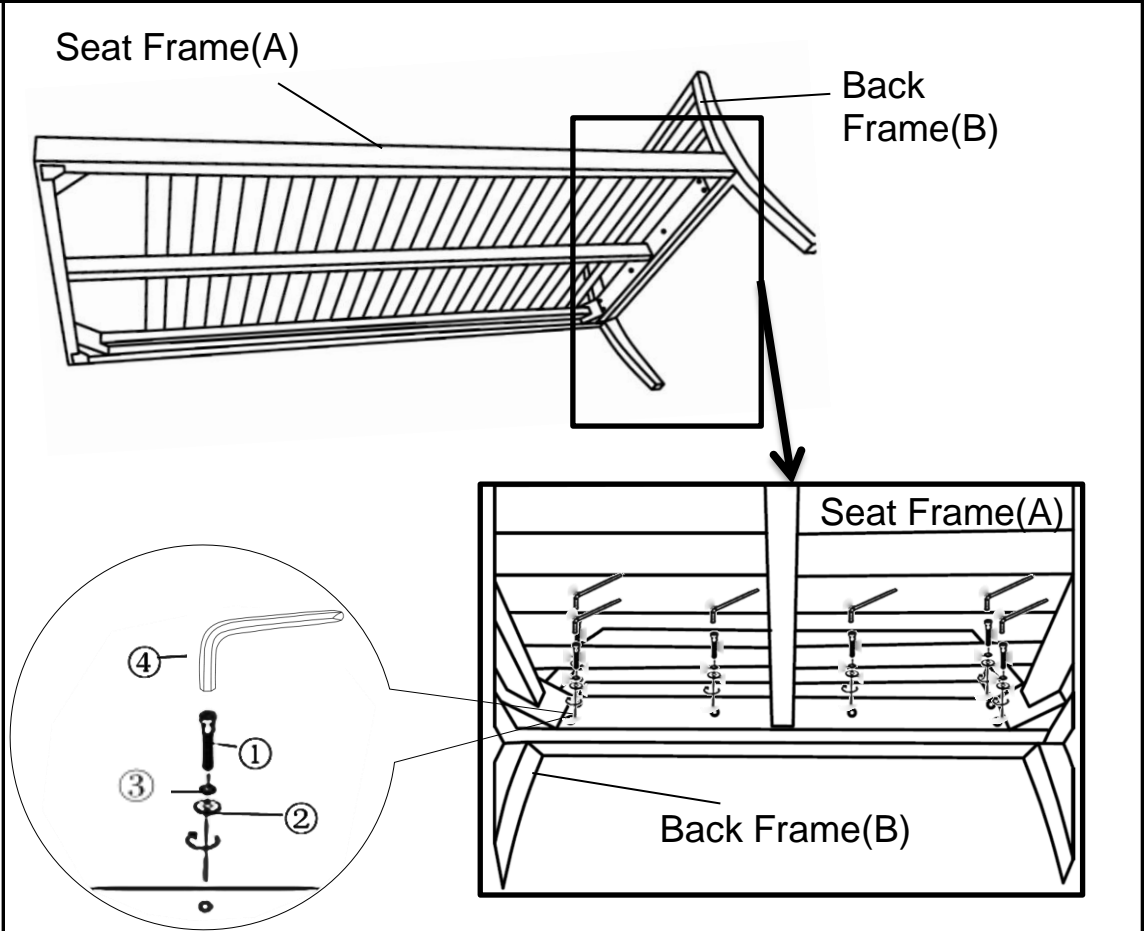
Assembly Steps

Overview



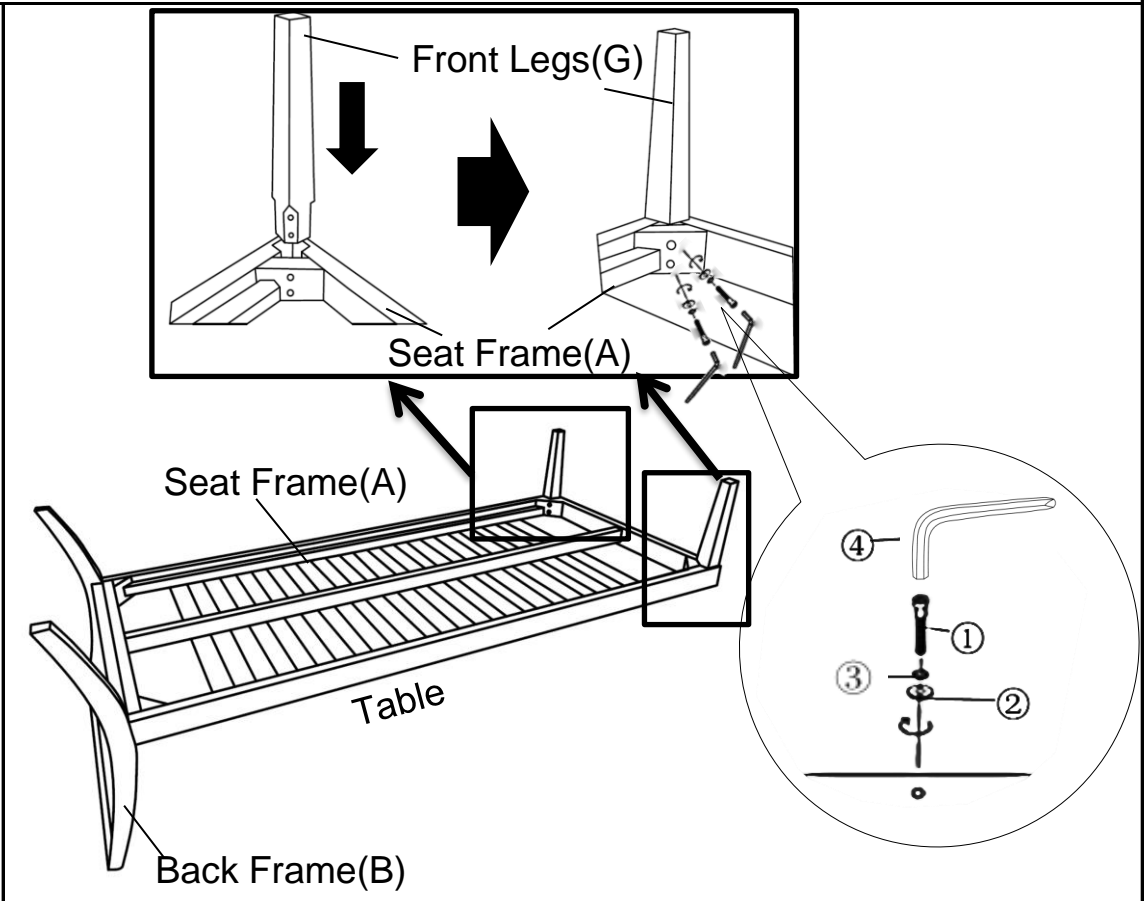
This Chaise has multiple parts and may require up to 30 minutes to assemble. To give you an overview of the Chaise parts, the above picture is to help you put the various parts into perspective. Please read through the instructions below to familiarise yourself with the parts and steps before assembly.

Step 1



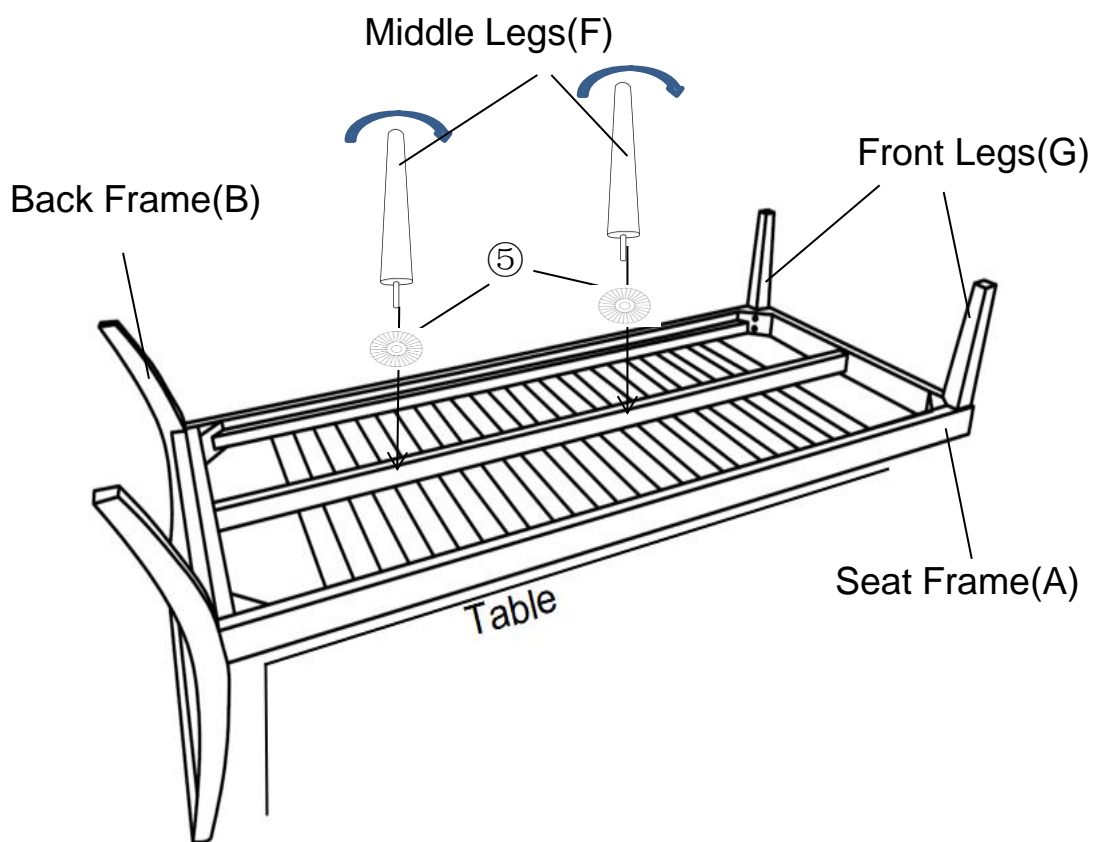
Install the Back Frame(B) into the bottom of the Seat Frame(A) using Bolts(①), Washers(②), Spring Washers(③) and the Allen Wrench(④) to fasten all Bolts(①), as shown.

Step 2



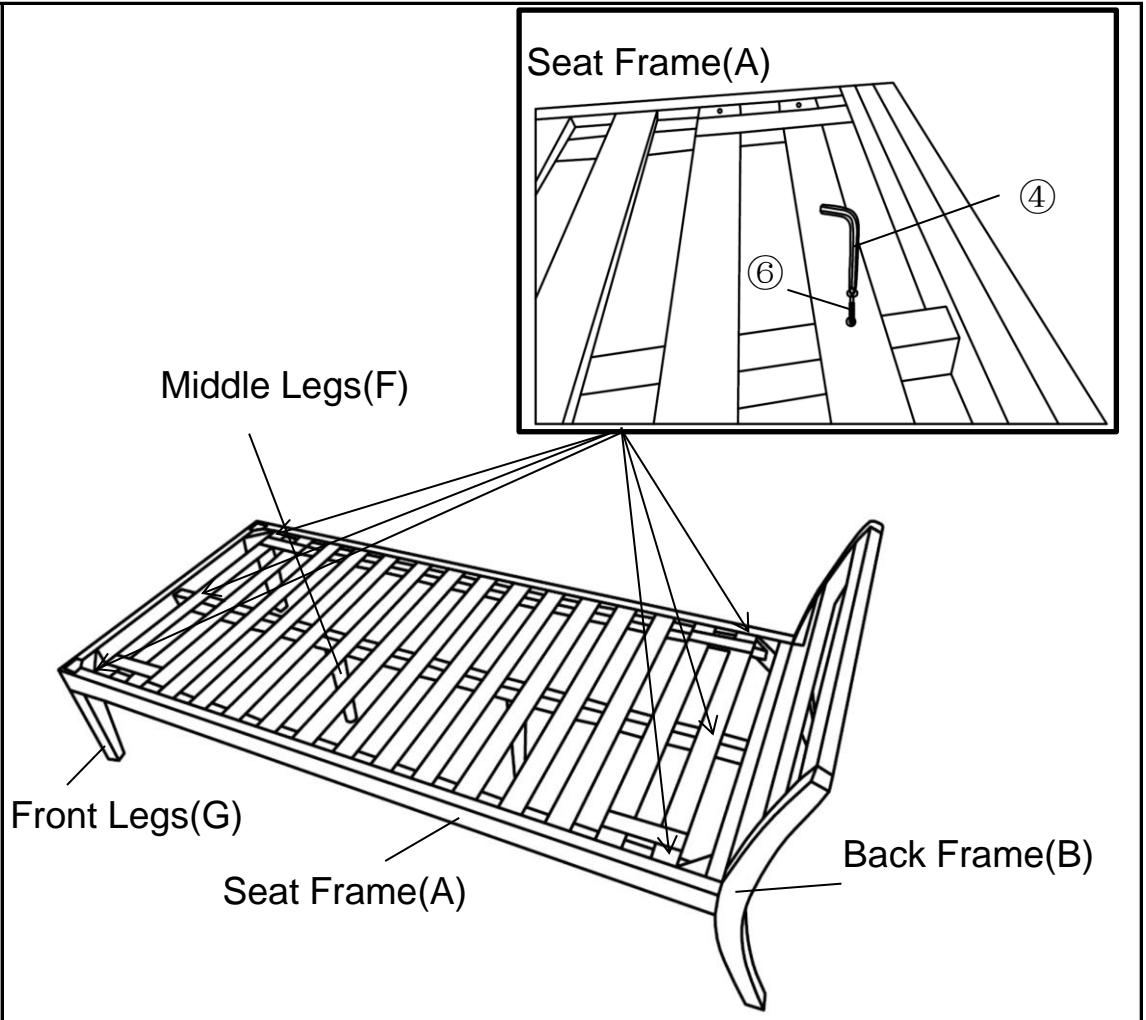
Position the Chaise on its back on a flat table, as shown.
Insert each Front Leg(G) completely and vertically into each seat frame site.
PRESS FIRMLY DOWN with your hand until there is no gap.
Attach each Front Leg(G) to the Seat Frame(A) using the Bolts (①), Spring washers (③), Washers (②) and the Allen Wrench (④)

Step3



Install the Middle Legs(F) with Washer Rings(⑤) onto the bottom of the Seat Frame(A) as shown.
Tighten by turning the Middle Legs clockwise.

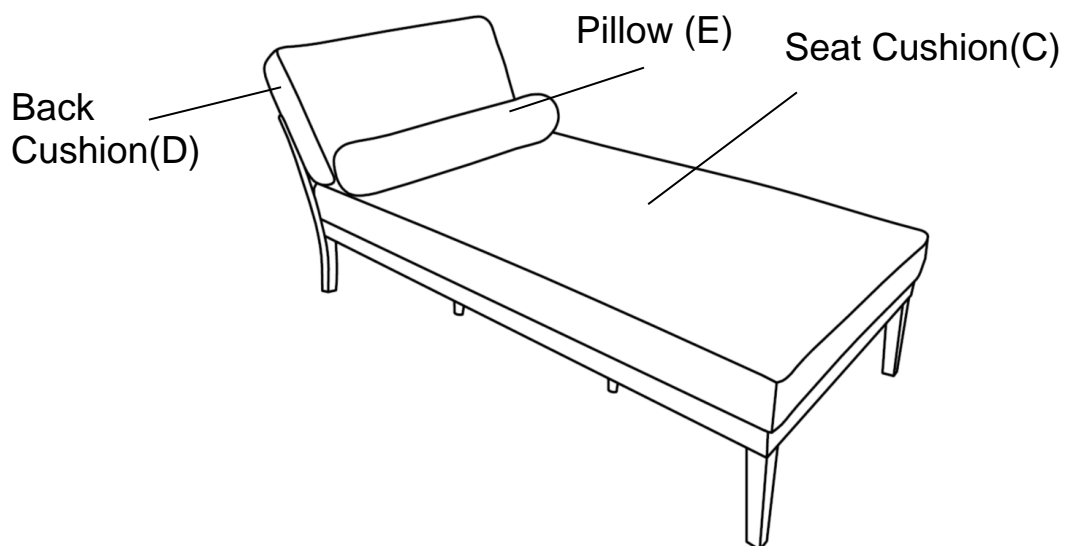
Step4



Place the Chaise in an upright position.

Fixing the wooden strips on the Seat Frame(A) by using with Allen Wrench (④) to fasten all screws (⑥), as shown.

Step3



Put the Seat Cushion(C), Back Cushion(D) and Pillow(E) on the Seat Frame(A). Your Chaise is ready for use.

This Chaise can only be used on a flat, level surface.

Care & Maintenance



- Furniture may scratch floors. We recommend using furniture pads to protect your floors.



- Do not put hot items directly on furniture surface.



- Do not clean furniture with harsh cleansers or polish.



- Do not place furniture under direct sunlight.



- Do not place furniture near heating or cooling vents.



- Do not write on furniture without a padded barrier to protect the surface.



- Do not place furniture outside . For indoor use only.



- Not for commercial use. For residential use only.



- Stains may be removed with mild soap solution and damp cloth.



- Children should not climb or jump on the furniture.



- Dust and pick-up spills using a clean, non-colored, lint-free cloth.