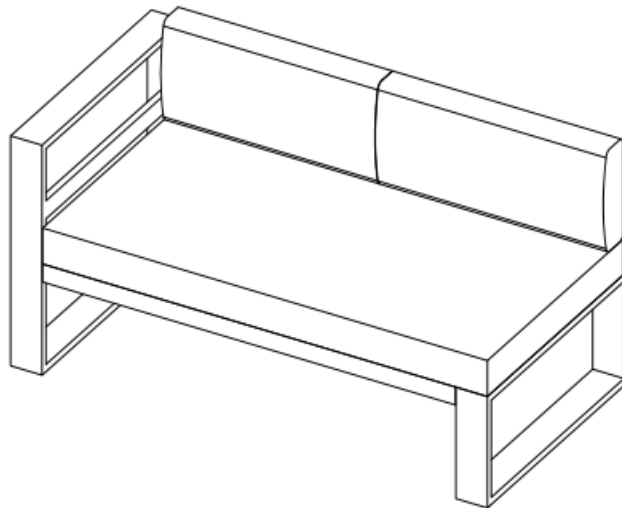


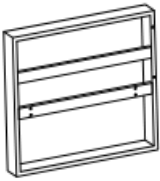
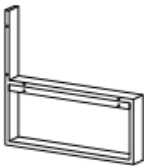

Assembly Instructions

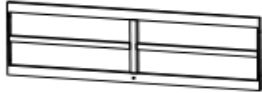

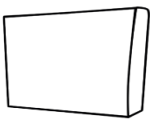
Caution : You must read this before you proceed

Loveseat



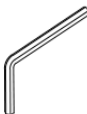



Part List

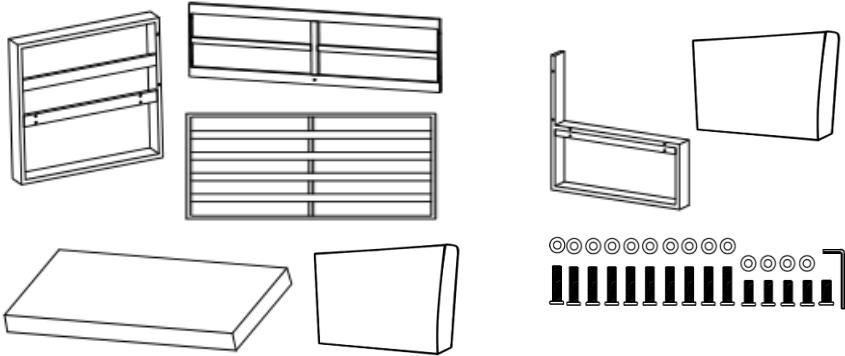
Label	Picture	Description	QTY
A		Left Armrest (with Leg)	1
B		Right Leg	1
C		Seat Panel	1

D		Backrest	1
E		Seat Cushion	1
F		Back Cushion	2

Hardware

Label	Picture	Description	QTY
①		Bolt (M6*25mm)	5
②		Bolt (M6*35mm)	10
③		Allen Key	1
⑤		Washer	14

Assembly Preparation

<p>Before Beginning Assembly:</p>	
-----------------------------------	--



- Read instructions, cover to cover-



- Have 2 adults on hand for assembly-



- Do not assemble on flooring or carpet-



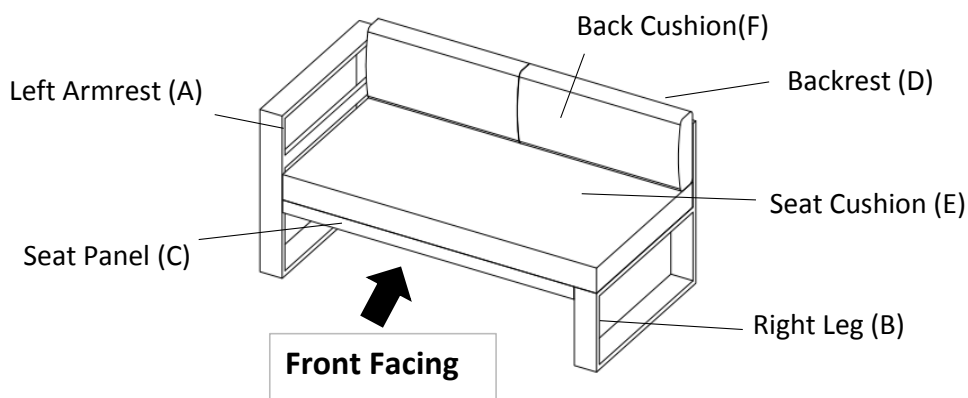
- Assemble on a clean non-marring surface (packing foam)-



- Save all packaging until finished-

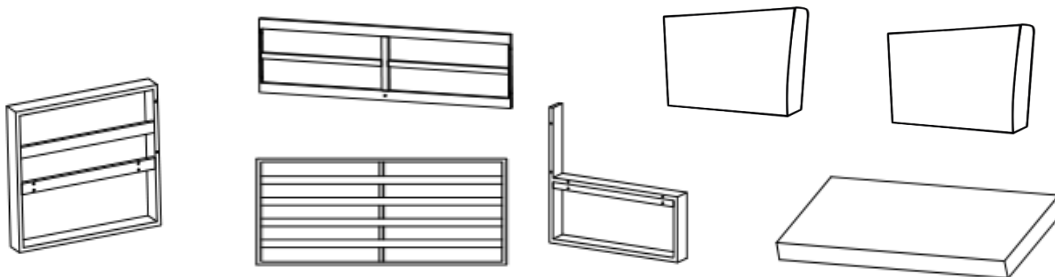
Assembly Steps

Overview



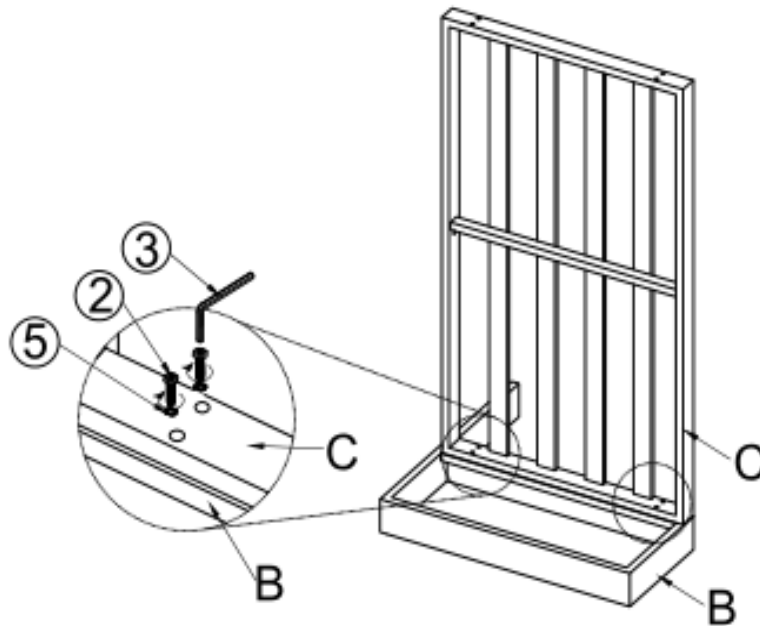
This Loveseat has multiple parts and may require up to 30 minutes to assemble. To give you an overview of the Loveseat parts, the above picture is to help you put the various parts into perspective. Please read through the instructions below to familiarise yourself with the parts and steps before assembly.

Step 1



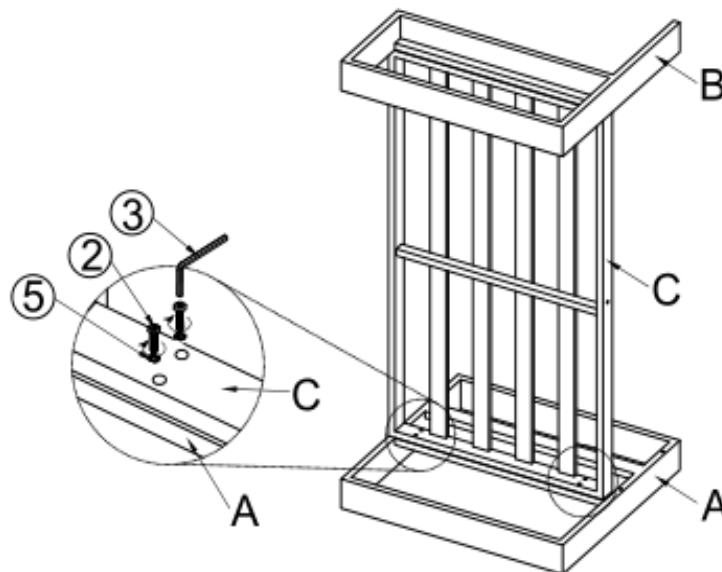
Unpack and place all parts on a clean, non-marring surface.

Step 2



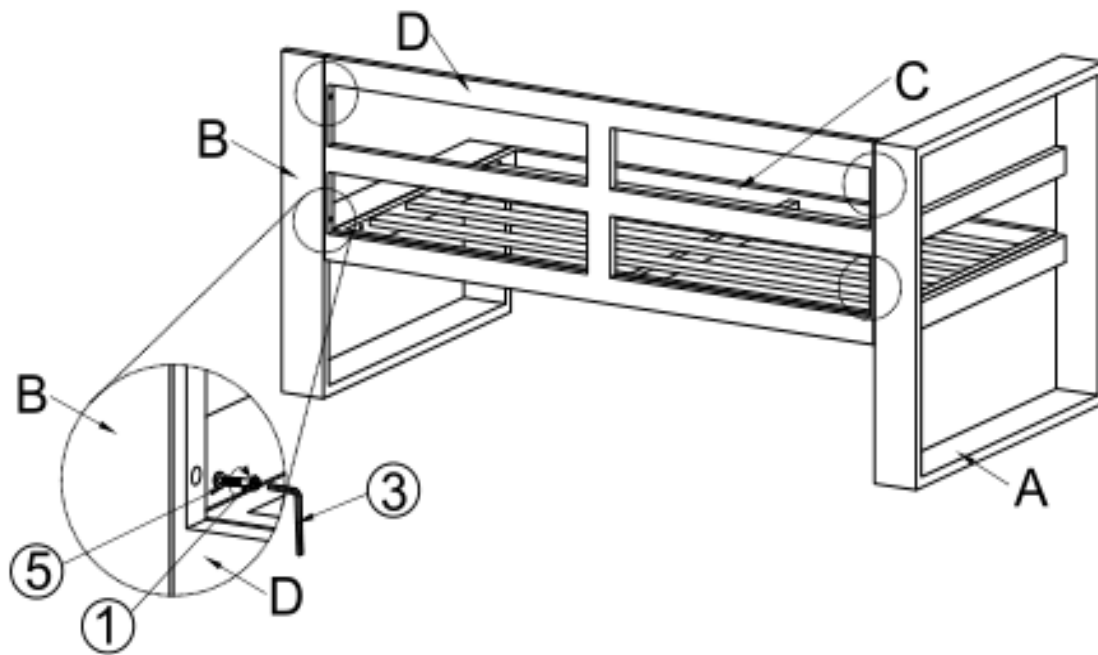
With the help of your adult partner, align Seat Panel(C) to Right Leg(B) as shown above. Attach Right Leg(B) to Seat Panel(C) using Bolts(2) and Washers(5) with Allen Key(3). **Do not fully tighten the Bolts.**

Step 3



With the help of your adult partner, align Seat Panel(C) to Left Armrest(A) as shown above. Attach Left Armrest(A) to Seat Panel(C) using Bolts(2) and Washers(5) with Allen Key(3). **Do not fully tighten the Bolts.**

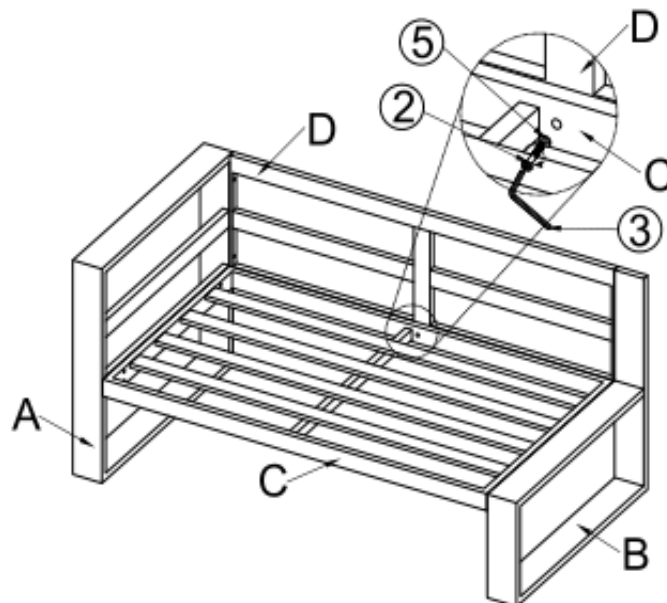
Step 4



With the help of your adult partner, attach the Backrest(D) to Left Armrest(A) and Right Leg(B) using Bolts(①) and Washers(⑤) with Allen Key(③).

Do not fully tighten the Bolts.

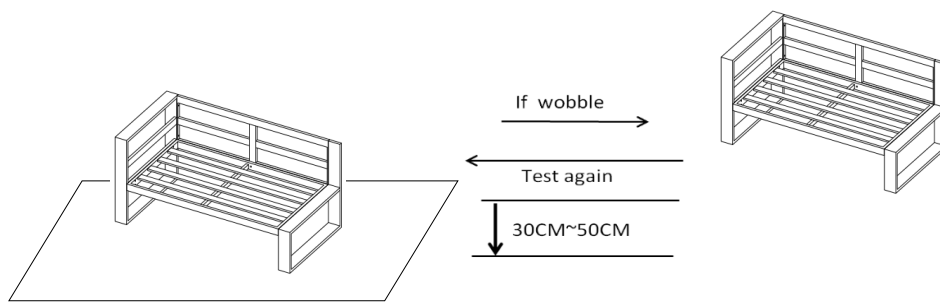
Step 5



Attach Backrest(D) to Seat Panel(C) using Bolts(②) and Washers(⑤) with Allen Key(③).

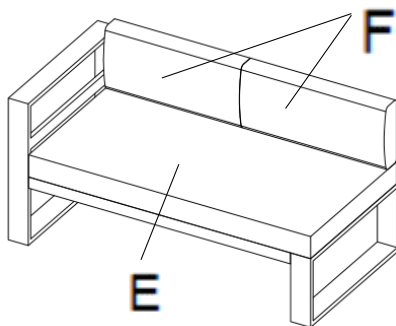
Do not fully tighten the Bolts.

Step 6























Place the Loveseat on a **LEVEL SURFACE** to see if it wobbles.
If it wobbles, lift the Loveseat some 30cm to 50cm high from the ground.
Keep your feet and toes well away from the drop zone.
Drop the Loveseat freely and vertically with the four legs, hitting the ground, at the same time.
This Drop Test will help to ensure that all the Bolts and gaps all reach full alignment status.
Test again for evenness on a **LEVEL SURFACE**.
If no wobbles are found, proceed to tighten all the Bolts.
When tightening the Bolts, tighten sequentially.
DO NOT tighten any Bolt fully and then move on to the next one.
If there are still wobbles, loosen the Bolts and execute the same drop test.

Step 7



Place the Seat Cushion(E) and Back Cushions(F) on the Loveseat.
Your Loveseat is ready for use.
This Loveseat can only be used on a flat, level surface.

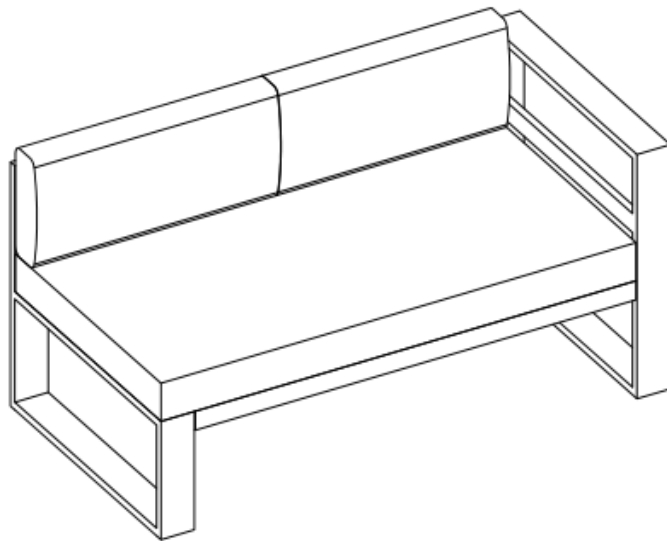
Care & Maintenance

-   ● Do not put hot items directly on furniture surface
-   ● Do not clean furniture with harsh cleansers or polish.
-   ● To obtain the longest lifespan of your outdoor products, minimizing exposure to direct sunlight is recommended.
-   ● Children should not climb or jump on the furniture.
-   ● Do not write on furniture without a padded barrier to protect the surface.
-   ● To obtain the longest lifespan of your outdoor products, avoid extended and lengthy exposure to rain, snow, and direct sunshine. Whenever possible cover the product and /or place under patio or awnings.
-   ● Not for commercial use. For residential use only .
-   ● Stains may be removed with mild soap solution and damp cloth.
-   ● Keep away from sources of ignition.
-   ● Dust and pick-up spills using a clean, non-colored, lint-free cloth.

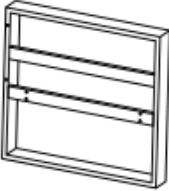
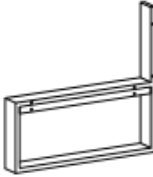

Assembly Instructions

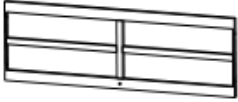

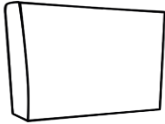
Caution : You must read this before you proceed

Loveseat



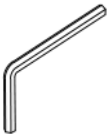



Part List

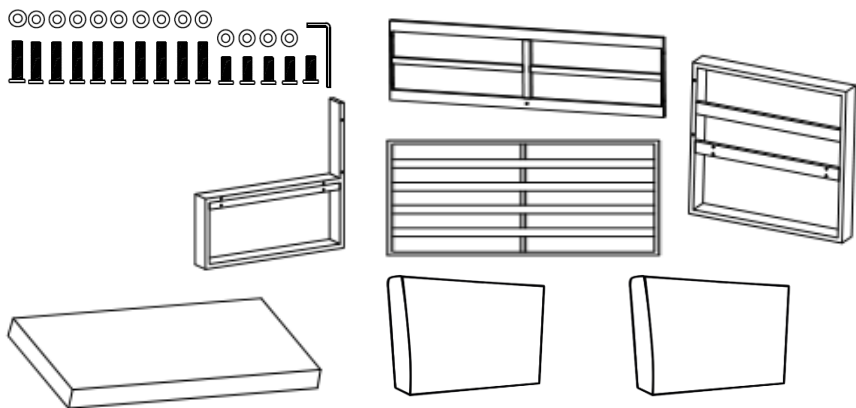
Label	Picture	Description	QTY
G		Right Armrest (with Leg)	1
H		Left Leg	1
C		Seat Panel	1

D		Backrest	1
E		Seat Cushion	1
F		Back Cushion	2

Hardware

Label	Picture	Description	QTY
①		Bolt (M6*25mm)	5
②		Bolt (M6*35mm)	10
③		Allen Key	1
⑤		Washer	14

Assembly Preparation

<p>Before Beginning Assembly:</p>	
---	--



- Read instructions, cover to cover-



- Have 2 adults on hand for assembly-



- Do not assemble on flooring or carpet-



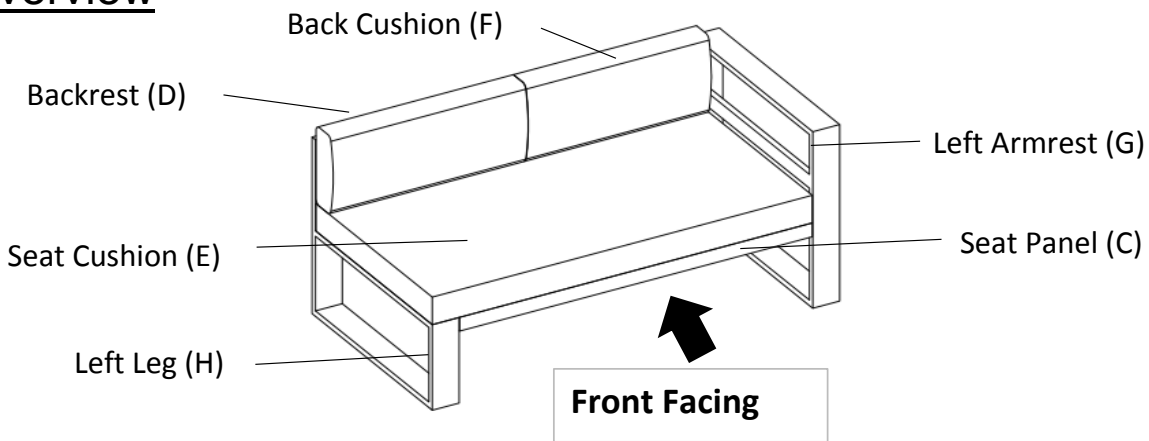
- Assemble on a clean non-marring surface (packing foam)-



- Save all packaging until finished-

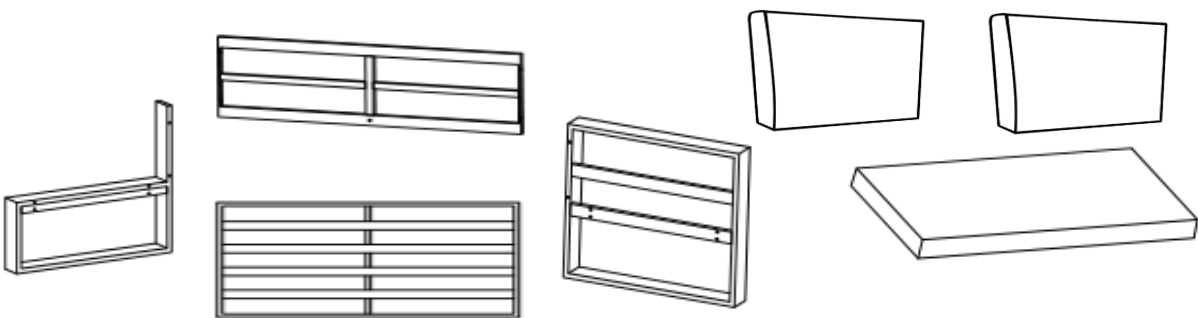
Assembly Steps

Overview



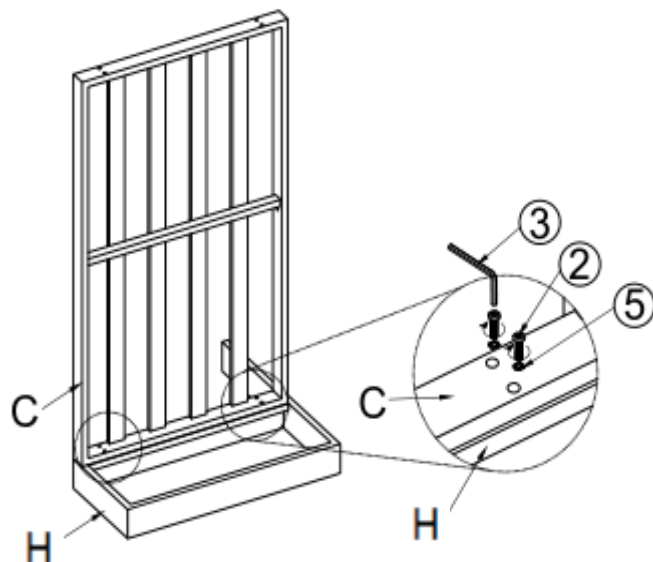
This Loveseat has multiple parts and may require up to 30 minutes to assemble. To give you an overview of the Loveseat parts, the above picture is to help you put the various parts into perspective. Please read through the instructions below to familiarise yourself with the parts and steps before assembly.

Step 1



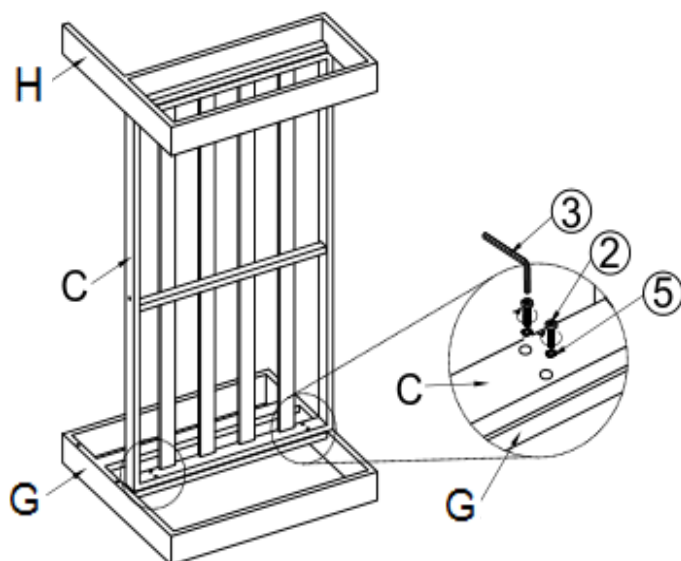
Unpack and place all parts on a clean, non-marring surface.

Step 2



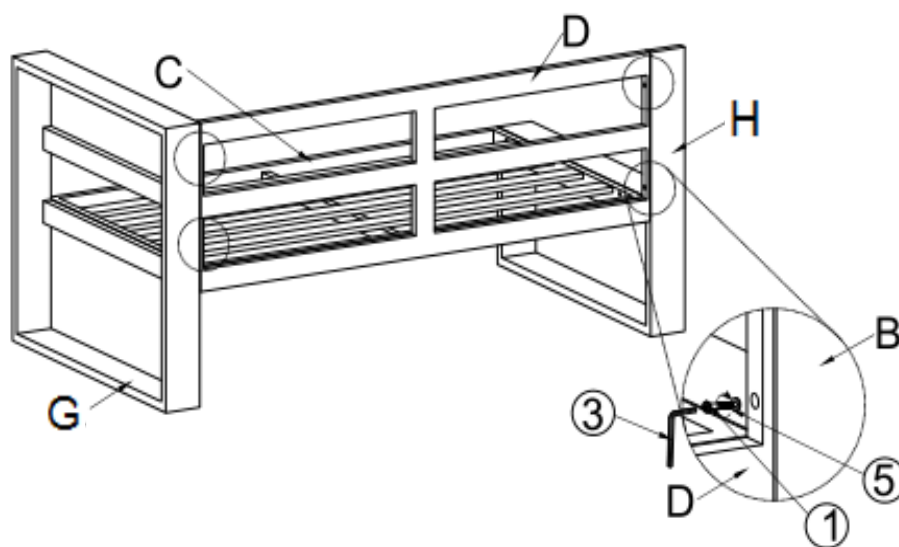
With the help of your adult partner, align Seat Panel(C) to Left Leg(H) as shown above. Attach Left Leg(H) to Seat Panel(C) using Bolts(②) and Washers(⑤) with Allen Key(③). **Do not fully tighten the Bolts.**

Step 3



With the help of your adult partner, align Seat Panel(C) to Right Armrest(G) as shown above. Attach Right Armrest(G) to Seat Panel(C) using Bolts(②) and Washers(⑤) with Allen Key(③). **Do not fully tighten the Bolts.**

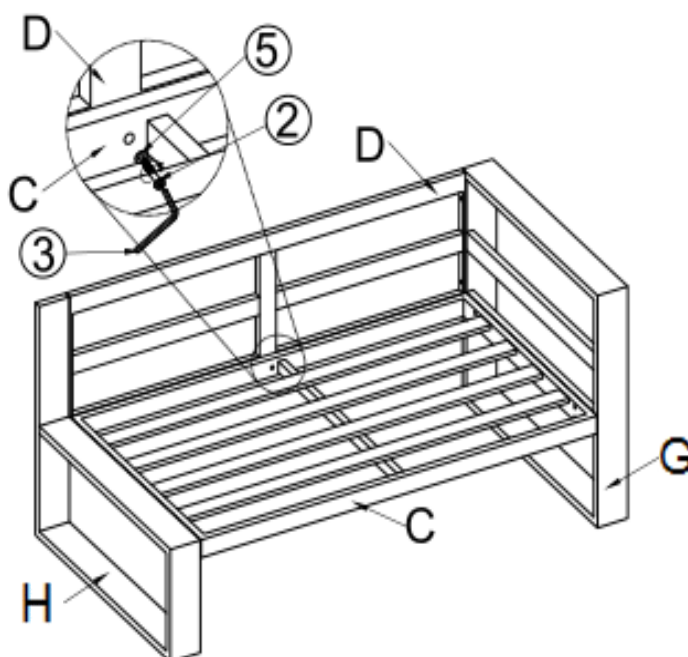
Step 4



With the help of your adult partner, attach Backrest(D) to Right Armrest(G) and Left Leg(H) using Bolts(①) and Washers(⑤) with Allen Key(③).

Do not fully tighten the Bolts.

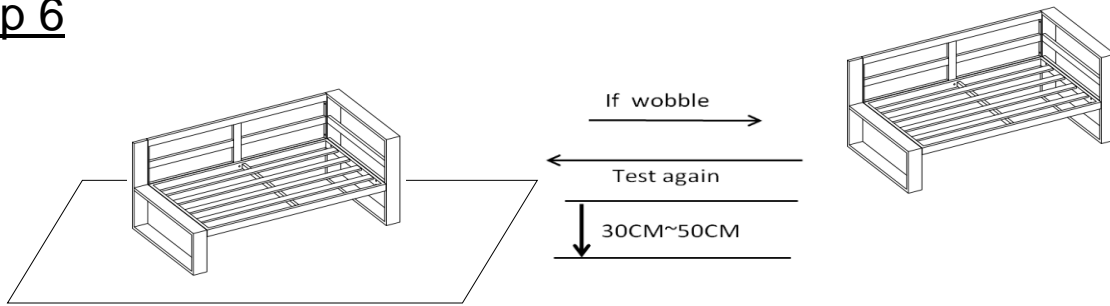
Step 5



Attach Backrest(D) to Seat Panel(C) using Bolts(②) and Washer(⑤) with Allen Key(③).

Do not fully tighten the Bolts.

Step 6



Place the Loveseat on a **LEVEL SURFACE** to see if it wobbles.

If it wobbles, lift the Loveseat some 30cm to 50cm high from the ground.

Keep your feet and toes well away from the drop zone.

Drop the Loveseat freely and vertically with the four legs, hitting the ground, at the same time.

This Drop Test will help to ensure that all the Bolts and gaps all reach full alignment status.

Test again for evenness on a **LEVEL SURFACE**.

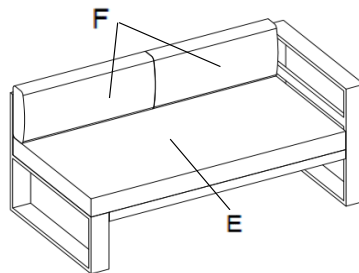
If no wobbles are found, proceed to tighten all the Bolts.

When tightening the Bolts, tighten sequentially.

DO NOT tighten any Bolt fully and then move on to the next one.

If there are still wobbles, loosen the Bolts and execute the same drop test.

Step 7























Place the Seat Cushion(E) and Back Cushions(F) on the Loveseat.

Your Loveseat is ready for use.

This Loveseat can only be used on a flat, level surface.

Care & Maintenance

-   ● Do not put hot items directly on furniture surface
-   ● Do not clean furniture with harsh cleansers or polish.
-   ● To obtain the longest lifespan of your outdoor products, minimizing exposure to direct sunlight is recommended.
-   ● Children should not climb or jump on the furniture.
-   ● Do not write on furniture without a padded barrier to protect the surface.
-   ● To obtain the longest lifespan of your outdoor products, avoid extended and lengthy exposure to rain, snow, and direct sunshine. Whenever possible cover the product and /or place under patio or awnings.
-   ● Not for commercial use. For residential use only .
-   ● Stains may be removed with mild soap solution and damp cloth.
-   ● Keep away from sources of ignition.
-   ● Dust and pick-up spills using a clean, non-colored, lint-free cloth.