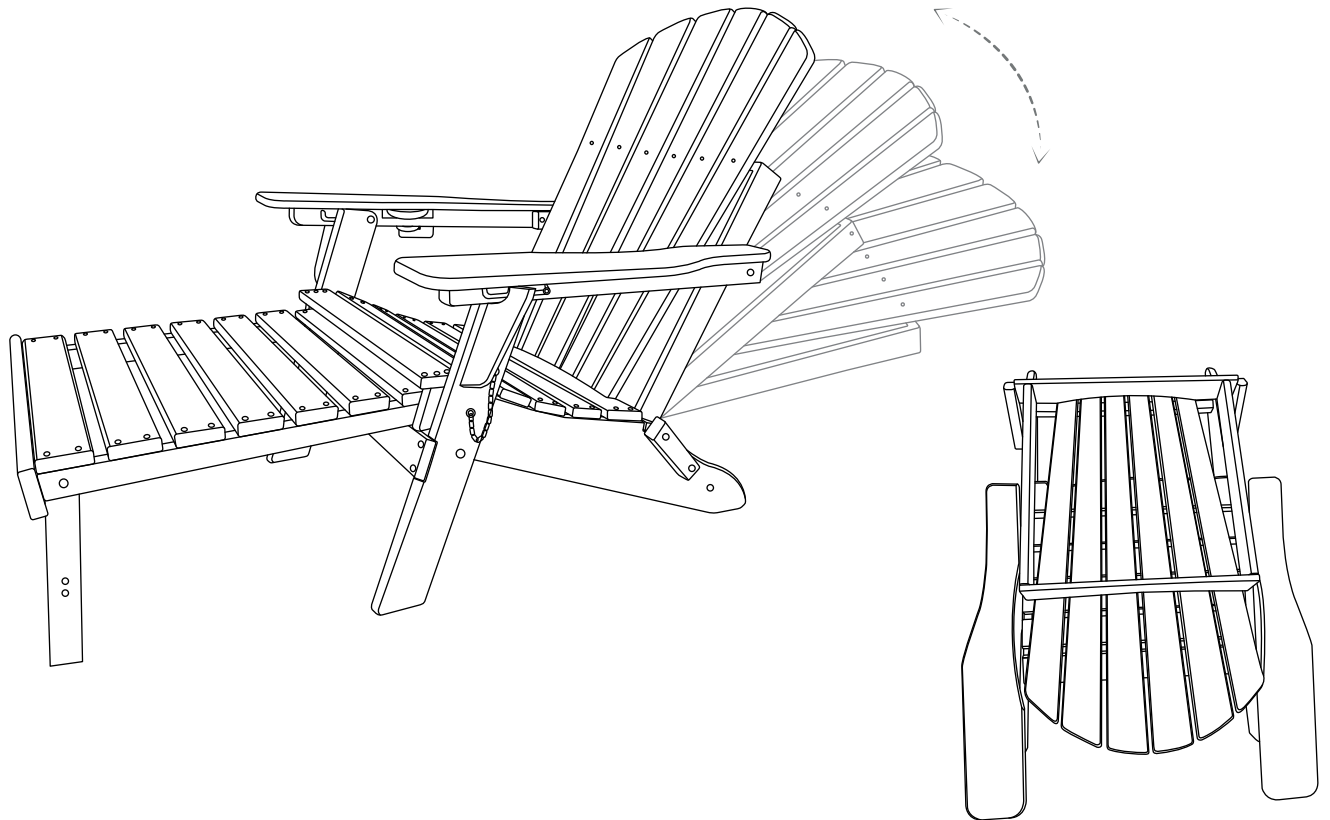


IMPORTANT
RETAIN FOR FUTURE REFERENCE
READ CAREFULLY

Assembly Instructions

(Reclining&Foldable)



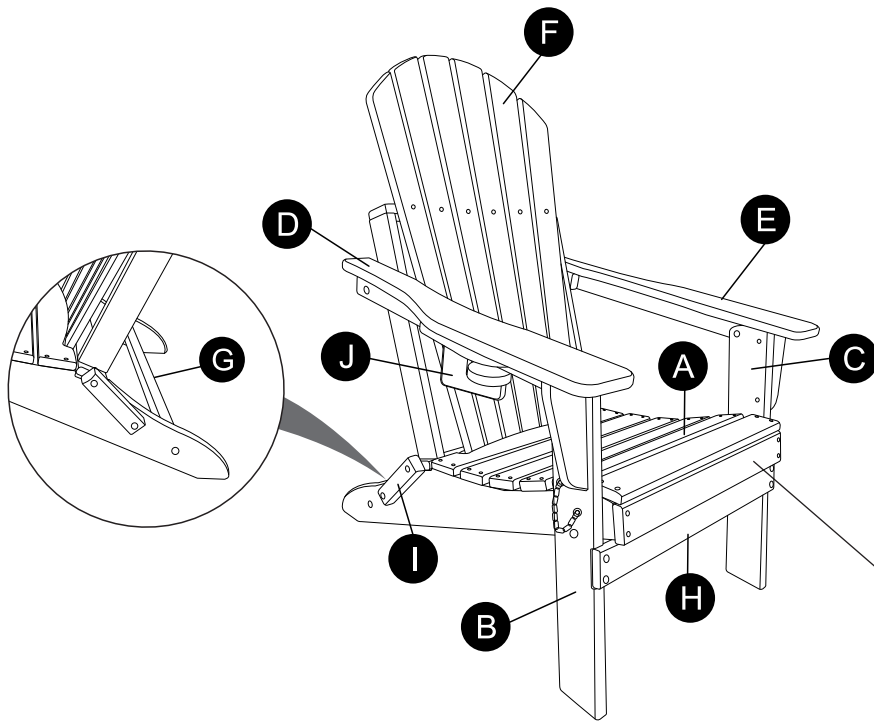
- Note:**
1. Do not use electric screwdriver.
 2. Two people are required to assemble this item. Assemble the item on a flat, solid and even surface.
 3. Make sure that all the necessary parts are in the carton before starting the assembly.
 4. Please secure all parts and bolts loosely, only when the frame is complete should you fully tighten the screws.
 5. If any instability occurs, loosen the screws, re-align the components as necessary and re-tighten the screws evenly.
 6. This item is not a climbing frame or toy.
 7. Danger of suffocation. Keep out of reach of children.

Congratulations!

You have made an excellent choice of this quality product. Our commitment to quality also includes our service. Should you, contrary to expectations, experience defects due to manufacturing faults, we will provide you with a warranty against defects. Please feel free to contact us if you have any questions. We should be glad to help! As valued customer, you can enjoy your great service of quick responds on your inquires;

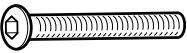
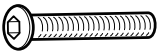
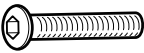
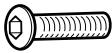
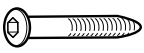
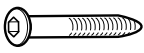


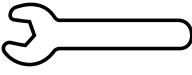
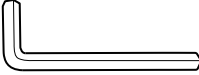
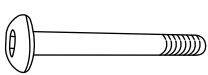
Warranty!

The product is guaranteed to be free from defects in workmanship and parts for a period of 12months from the date of purchase. Defects that occur within this warranty period, under normal use and care, will be repaired, replaced or refunded at our discretion.

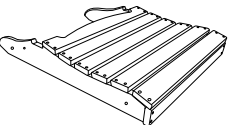
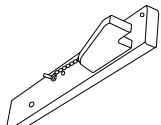
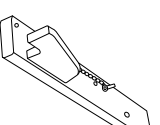
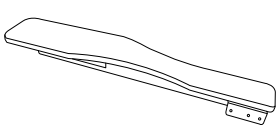
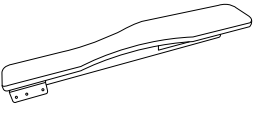
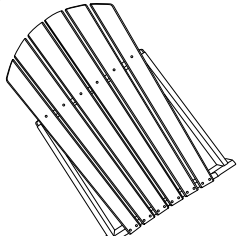
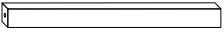

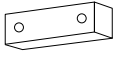



Stool is hidden under the seat.
You can draw it out as you need it.

Hardware List

#1 M6 x 80mm BOLT  2PCS	#2 M6 x 60mm BOLT  2PCS	#3 M6 x 50mm BOLT  2PCS	#4 M6 x 30mm BOLT  1PC	#5 M6 x 60mm Screw  2PCS	
#6 M6 x 40mm Screw  6PCS	#7 M6 WASHER  8PCS	#8 M6 NUT  8PCS	#9 SPANNER  1PC	#10 ALLEN KEY  1PC	#11 M6 x 60mm BOLT  (Please watch for to distinguish from #2, which have longer thread length) 2PCS

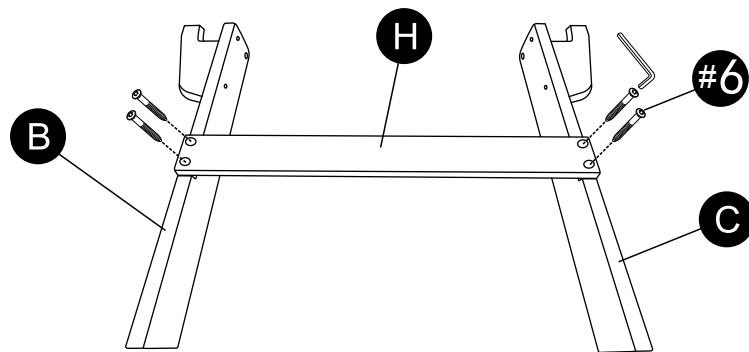
Parts List

A  1PC	B Right leg  1PC	C Left leg  1PC	D Right arm  1PC	E Left arm  1PC
F  1PC	G Short  1PC	H Long  1PC	I  2PCS	J  1PC

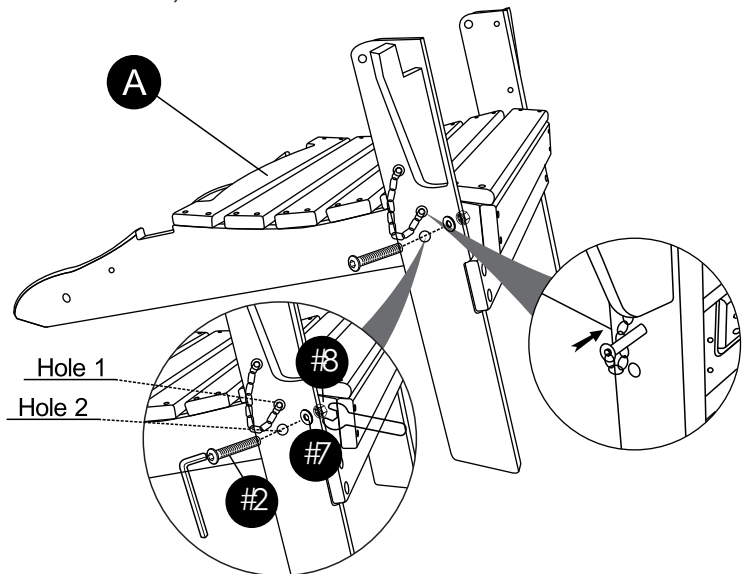
Note: The quantities above are for one single chair.

Assembly

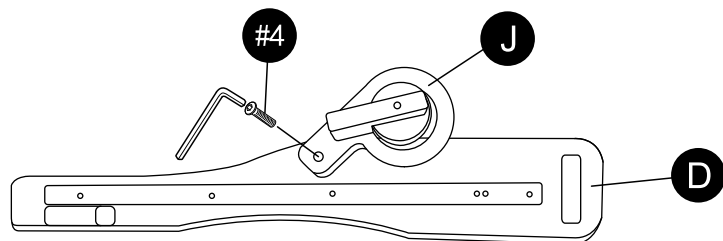
Step 1: Secure part H(front cross-piece) to B(right leg)&C(left leg) using Hardware6 (M6×40mm Screw).



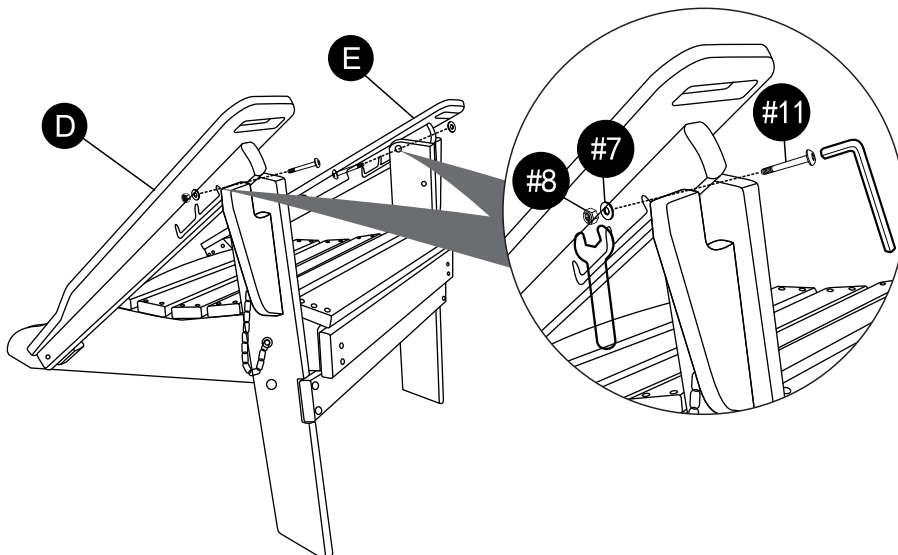
Step 2: Attach part A(seat panel) to the finished part in step 1, using Hardware2 (M6×60mm Bolt), Hardware7 (Washer) and Hardware8 (M6 Nut). Meanwhile, insert in the chain bolts.



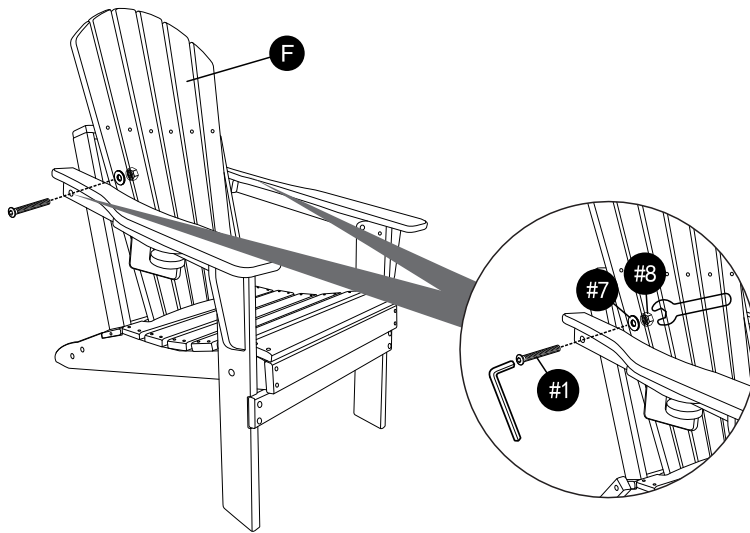
Step 3: Secure part J(cup holder) to D(right armrest) using Hardware4 (M6×30mm Bolt).



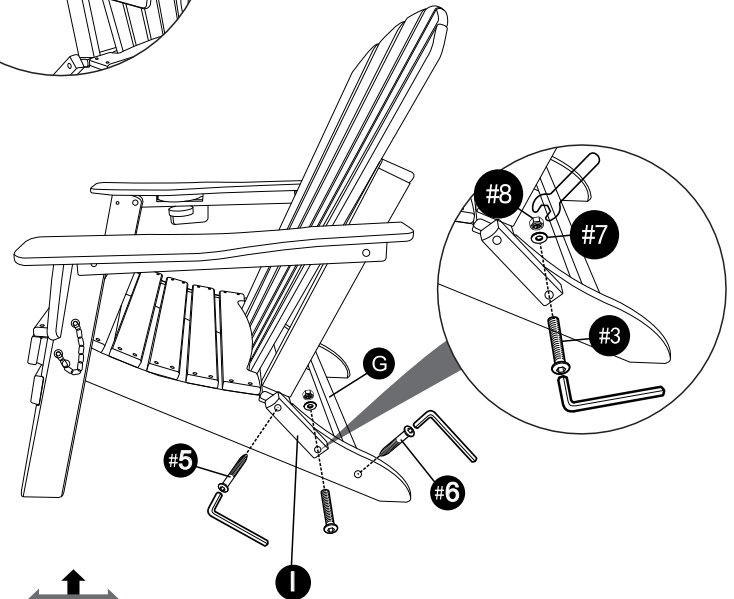
Step 4: Secure part D(right armrest) to the right leg, and attach part E(left armrest) to the left leg, using Hardware11 (M6×60mm Bolt), Hardware7 (Washer) and Hardware8 (M6 Nut).



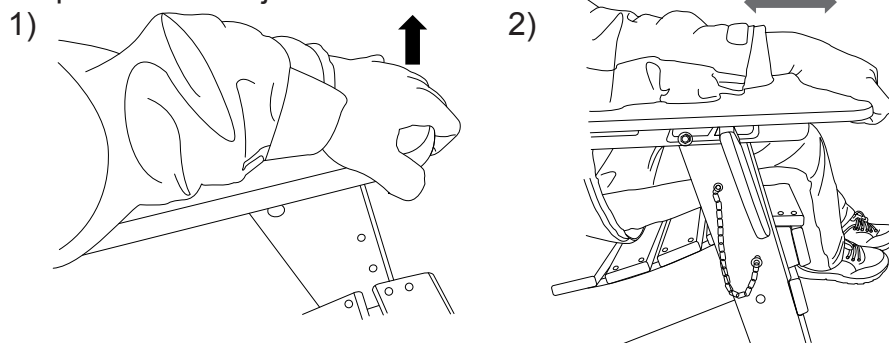
Step 5: Attach part F (back panel) to the armrests using Hardware1 (M6×80mm Bolt), Hardware7 (Washer) and Hardware8 (M6 Nut).



Step 6: Connect part G (back cross-piece) to the seat panel using Hardware6 (M6×40mm Screw). Secure the upper hole of part I to the back panel using Hardware5 (M6×60mm Screw). Secure the lower hole of part I to the seat panel using Hardware3 (M6×50mm Bolt), Hardware7 (Washer) and Hardware8 (M6 Nut). Repeat the part I assembly on the other side. Assembly is complete.

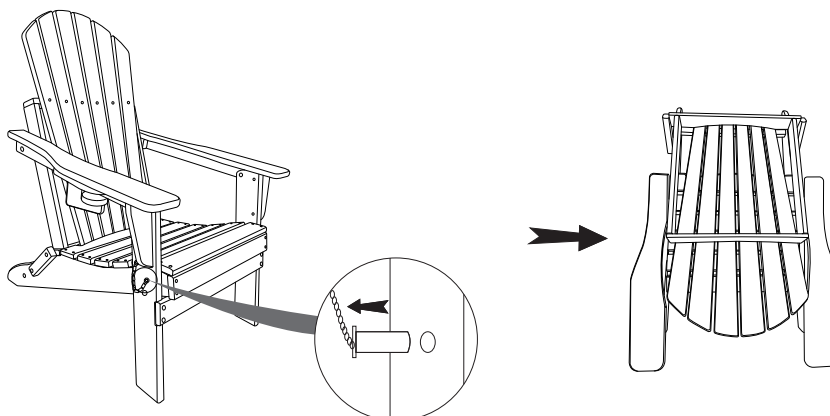


Step 7: How to adjust this recliner chair?



Step 8: How to fold and unfold this recliner chair?

Before you need to fold this chair, please push back the stool first, take down the chain bolts from the legs, then fold inwards the chair back and seat gently.



Please note that, when you need to unfold this chair, open gently, insert the chain bolts into the legs. Before that, you may need to push forward the back a little bit to make sure the holes align.