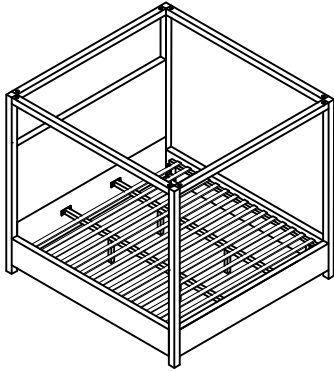


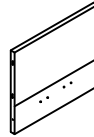
ASSEMBLY INSTRUCTIONS JAMES BED - KING

meridian.
furniture

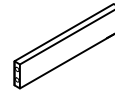


+ Parts Included

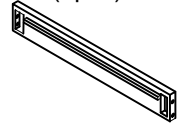
① Head Board
(1pc)



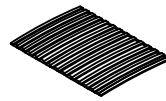
② Foot Board
(1pc)



③ Side Rails
(2pcs)

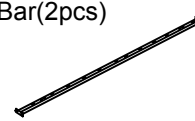


④ Slats joint
(1set=13pcs)



*Slats come packed
in the bottom of
headboard carton.

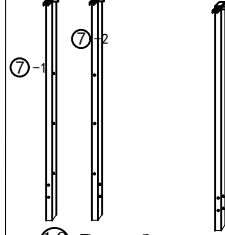
⑤ Center Support
Bar(2pcs)



⑥ Support
Legs(4pcs)



⑦ Bar 2pcs ⑧ Bar 2pcs



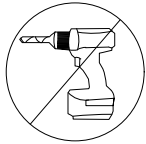
⑨ Bar 2pcs



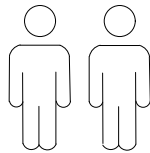
⑩ Bar 2pcs



**+ Do Not Use
Power Tools**



**+ Suggested
Adults**



NOTE: For questions about parts or assembly please email support@meridianfurnitureusa.com or call us at 718-758-4455.

- 1 Read instructions cover to cover.
- 2 Save all packaging until assembly is completed.

1 IMPORTANT SAFETY INFORMATION

Do not assemble the product if any of the following parts arrived damaged:

- Part #③ -Side Rails
- Part #④ -Slats joint
- Part #⑤ -Center Support Bar
- Part #⑥ -Support Legs

2 IMPORTANT ASSEMBLY INFORMATION

Assembly Step ⑦ Ensure the side rail bracket is fully hooked onto bolt **A** loosely threaded with both washers on the **OUTSIDE** of the bracket first, then proceed to fully tightening all 4 corners.

*Slats come packed in the bottom of headboard carton.

+ Hardware Included

A Bolt M8*30mm
(24pcs)



B M8*70mm
(18pcs)



E Flat Washer
Ø22(42pcs)



F M8 Allen Key
(1pc)



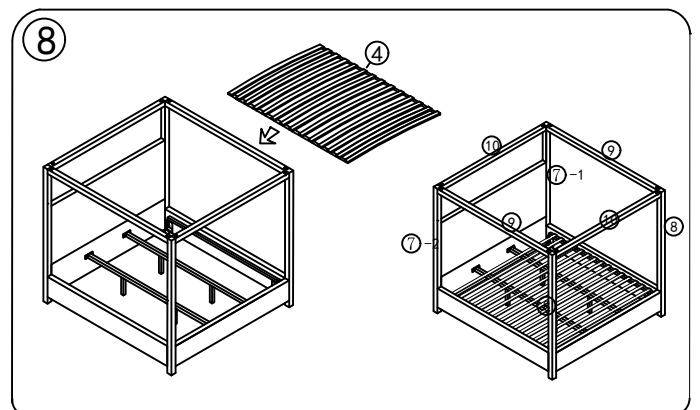
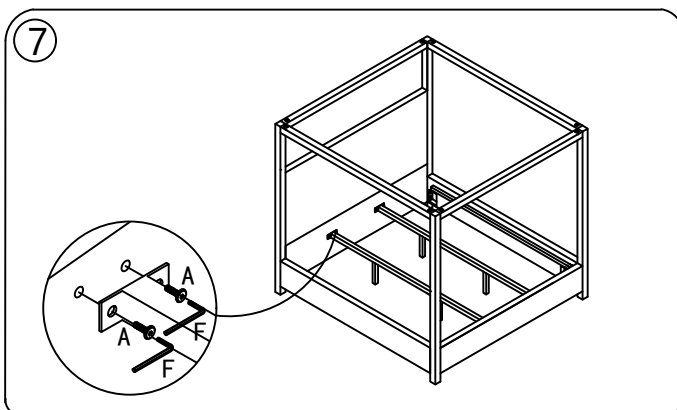
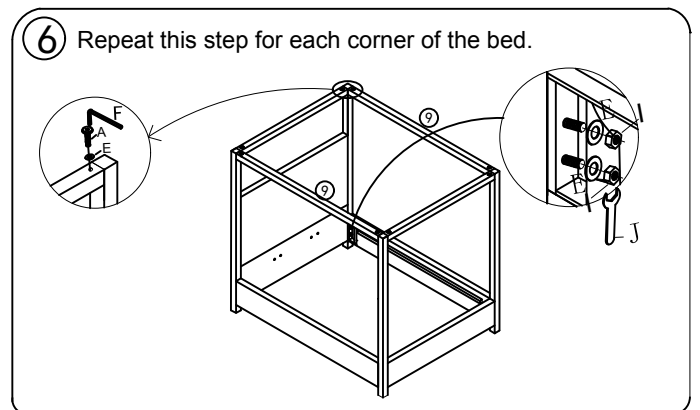
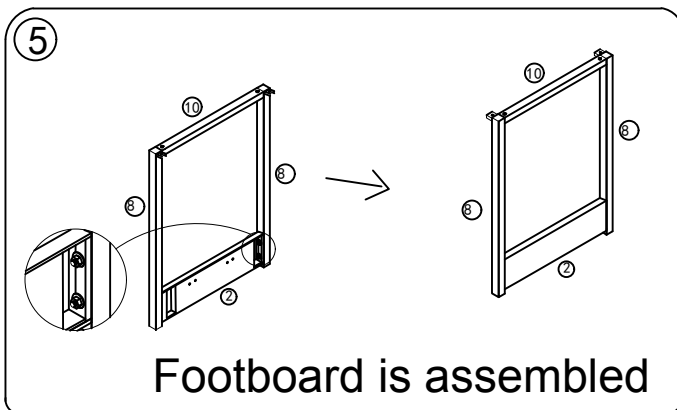
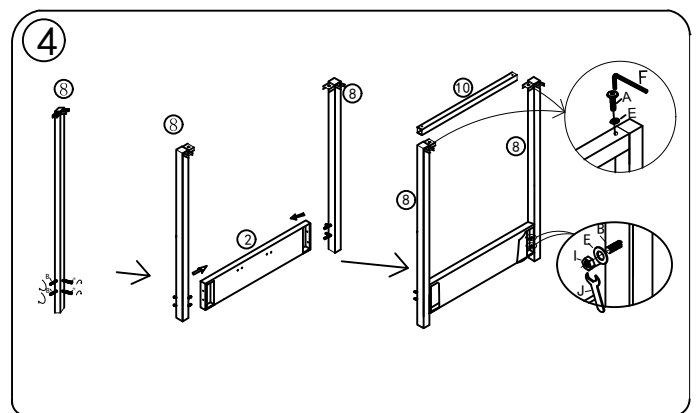
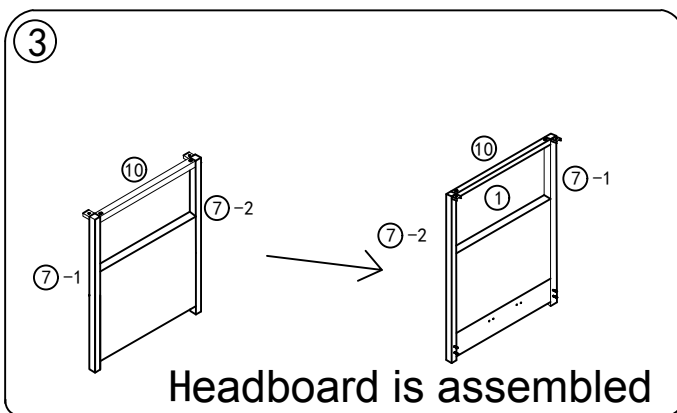
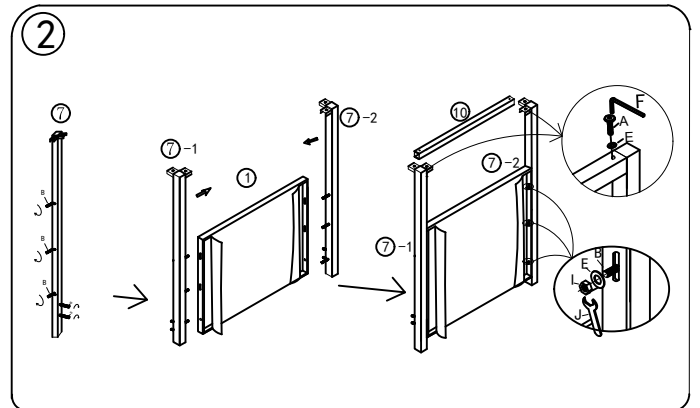
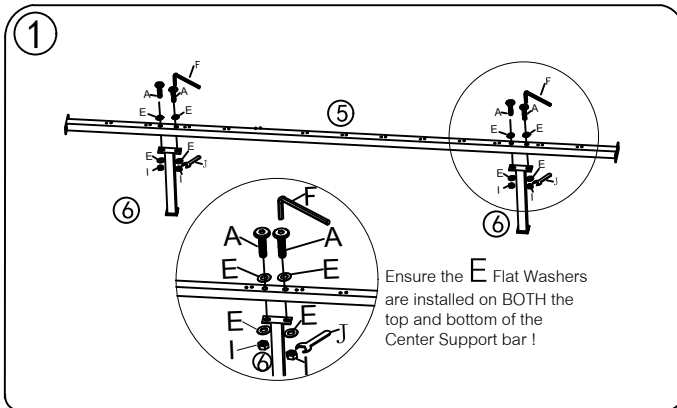
I Nut M8*13mm
(26pcs)



J Spanner
(1pc)



ASSEMBLY INSTRUCTIONS **meridian.** furniture



NOTE: For questions about parts or assembly please email support@meridianfurnitureusa.com or call us at 718-758-4455.
www.MeridianFurnitureUSA.com | support@meridianfurnitureusa.com