

ASSEMBLY INSTRUCTIONS



Fine Furniture for every stage of life

Queen Bed

ASSEMBLY INSTRUCTIONS

ASSEMBLY TIPS:

1. Remove hardware from box and sort by size.
2. Please check to see that all hardware and parts are present prior to start of assembly.
3. Please follow attached instructions in the same sequence as numbered to assure fast & easy assembly.



WARNING

1. Don't attempt to repair or modify parts that are broken or defective. Please contact the store immediately.
2. This product is for home use only and not intended for commercial establishments.



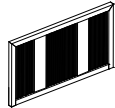
ASSEMBLY TIME

20 MINUTES

PARTS IDENTIFICATION

B1 (BOX 1)

A HEADBOARD PANEL



1PC

B LEFT HEADBOARD LEG



1PC

C RIGHT HEADBOARD LEG



1PC

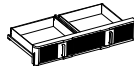
D HEADBOARD BOTTOM RAIL



1PC

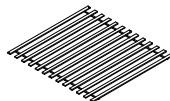
B2 (BOX 2)

E STORAGE FOOTBOARD



1PC

F ROLL SLAT (13PCS)



1SET

G CENTER RAIL SUPPORT WITH LEVELER



3PCS

H CONCEAL PANEL



4PCS

B3 (BOX 3)

I BED RAIL



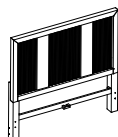
2PCS

J CENTER RAIL



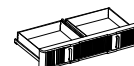
1PC

HB FROM BOX 1 HEADBOARD COMPLETE



1PC

E FROM BOX 2 FOOTBOARD



1PC

ASSEMBLY INSTRUCTIONS

ASSEMBLY TIPS:

- 1.Remove hardware from box and sort by size.
- 2.Please check to see that all hardware and parts are present prior to start of assembly.
- 3.Please follow attached instructions in the same sequence as numbered to assure fast & easy assembly.

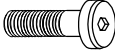





WARNING

- 1.Don't attempt to repair or modify parts that are broken or defective. Please contact the store immediately.
- 2.This product is for home use only and not intended for commercial establishments.

HARDWARE IDENTIFICATION

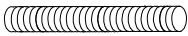
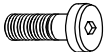






BOX 1 - HARDWARE PACK

1	BOLT (5/16" x 38mm - RBW)		12PCS	3	FLAT WASHER (5/16" x 19 x 1.5mm - RBW)		12PCS
2	LOCK WASHER (5/16" - RBW)		12PCS	4	ALLEN WRENCH (74 x 30 x 4mm - RBW)		1PC

BOX 2 - HARDWARE PACK

5	FLAT HEAD SCREW (4 x 32mm - RBW)		6PCS
---	--	---	------

BOX 3 - HARDWARE PACK

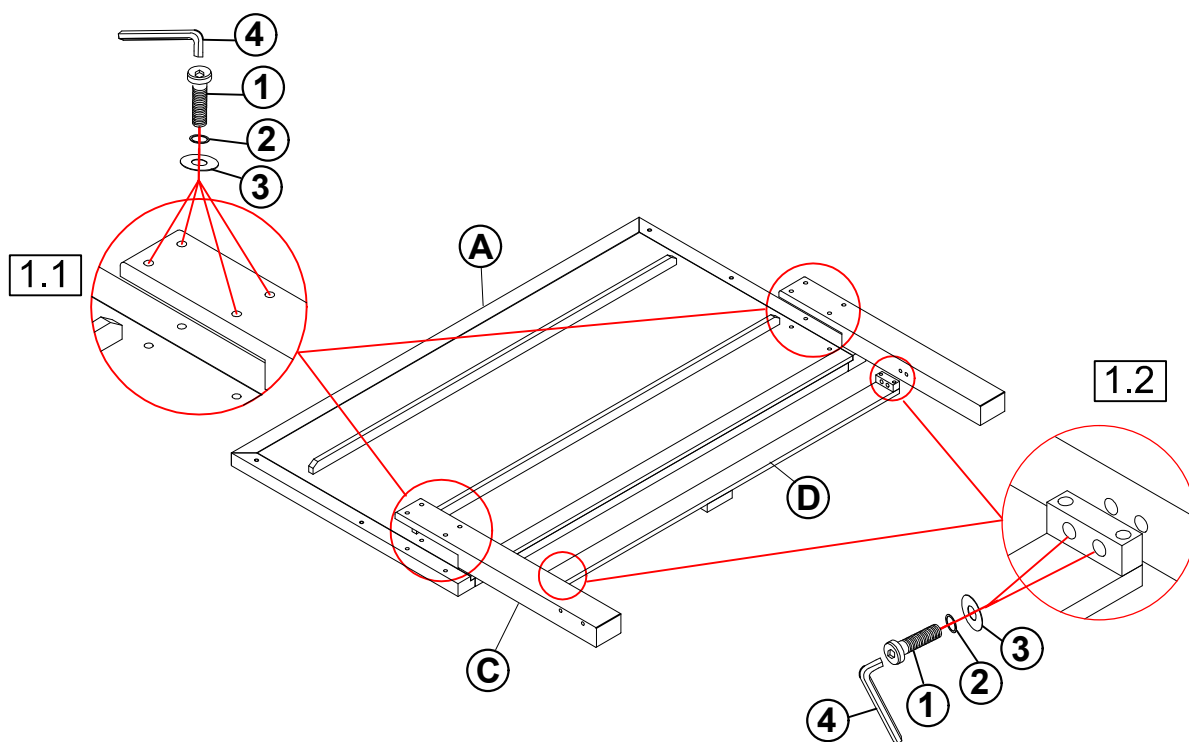
6	THREADED BOLT (5/16" x 75mm - RBW)		8PCS	10	BOLT (1/4 x 25mm - RBW)		2PCS
7	U-SQUARE WASHER (25 x 15 x 2mm - RBW)		8PCS	11	LOCK WASHER (1/4" - RBW)		2PCS
8	HEX NUT (5/16" x 17mm - RBW)		8PCS	12	FLAT WASHER (1/4" x 19 x 1.5mm - RBW)		2PCS
9	WRENCH (13MM - RBW)		1PC	13	ALLEN WRENCH (74 x 30 x 4mm - RBW)		1PC

NOTE:

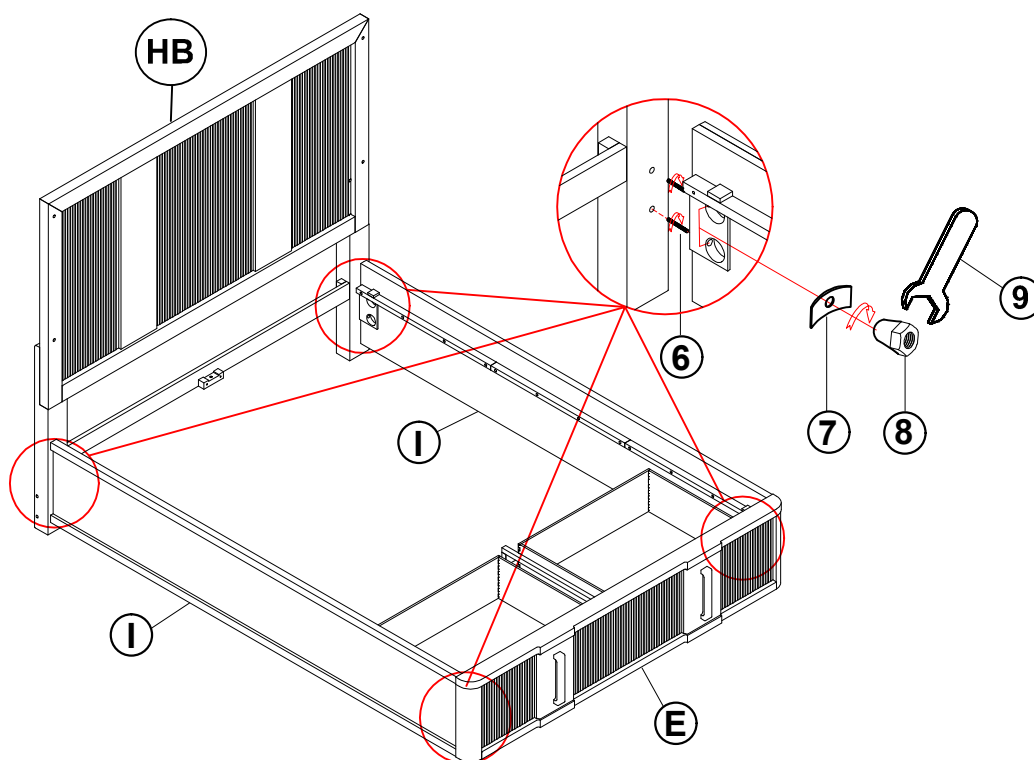
Phillips head screw driver is required in the assembly process; however, manufacturer does not provide this item.

ASSEMBLY INSTRUCTIONS

STEP 1

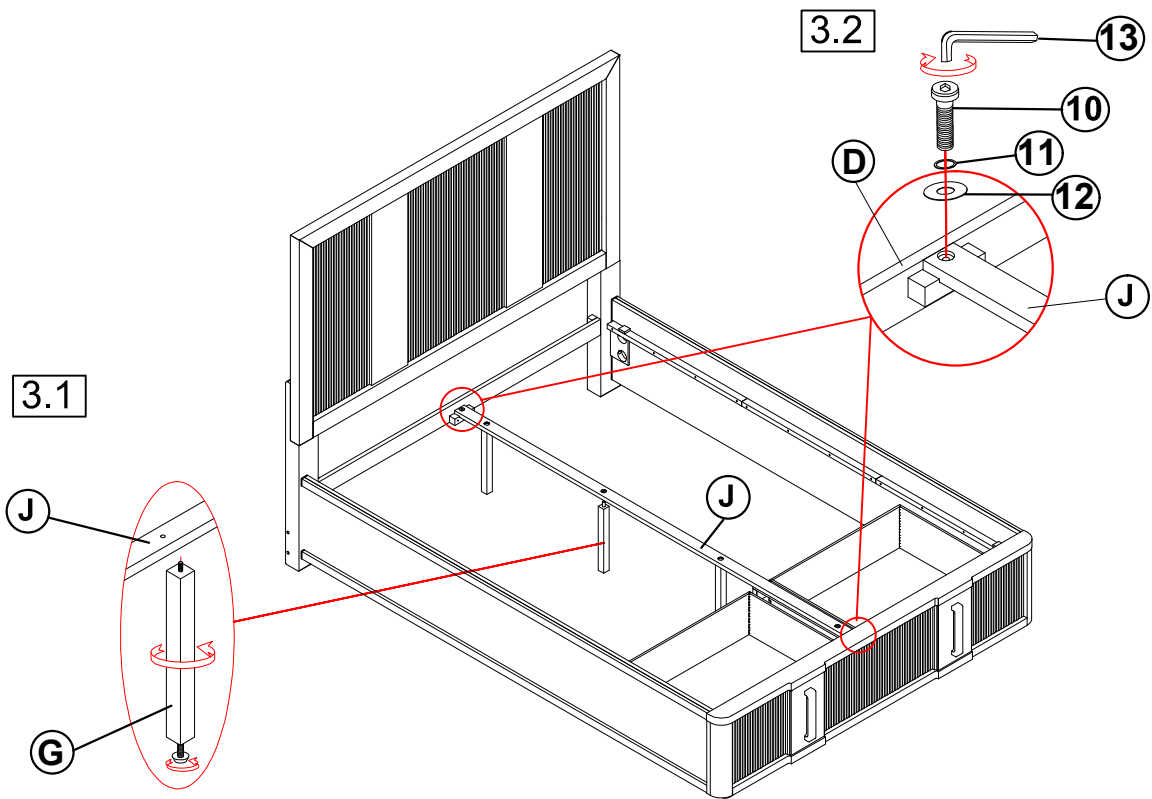


STEP 2

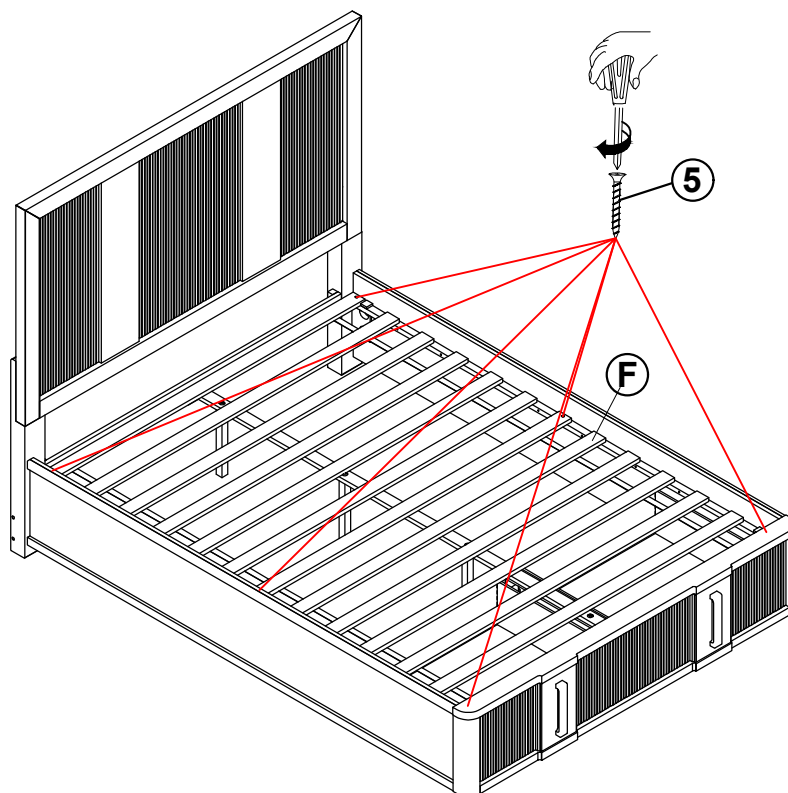


ASSEMBLY INSTRUCTIONS

STEP 3

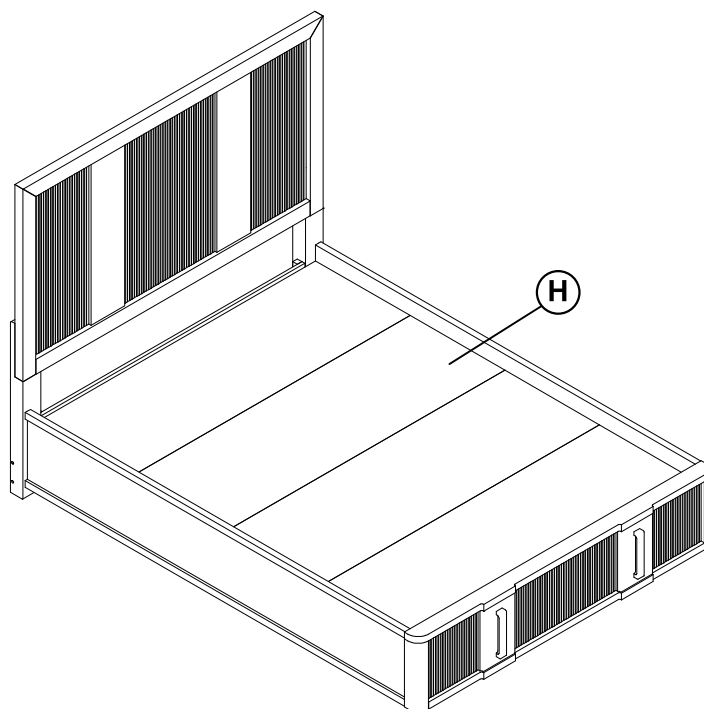


STEP 4

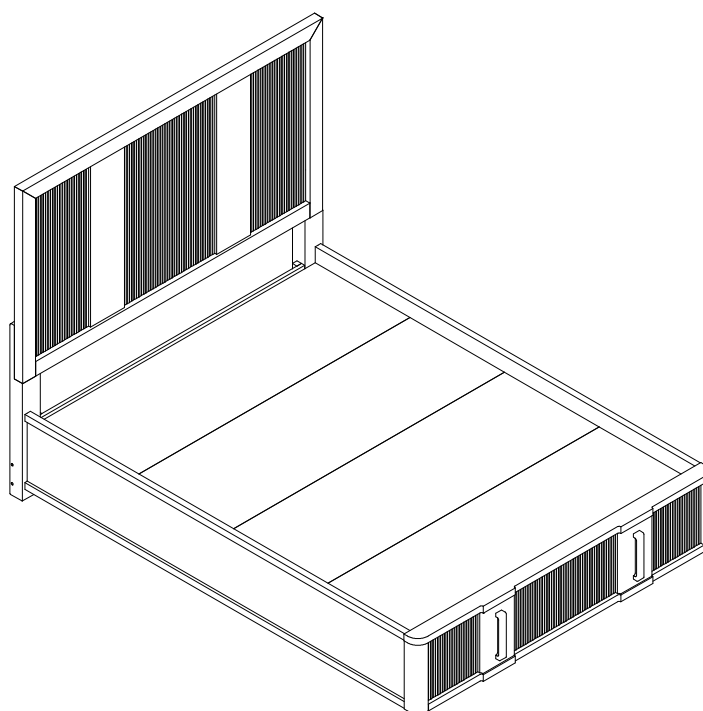


ASSEMBLY INSTRUCTIONS

STEP 5

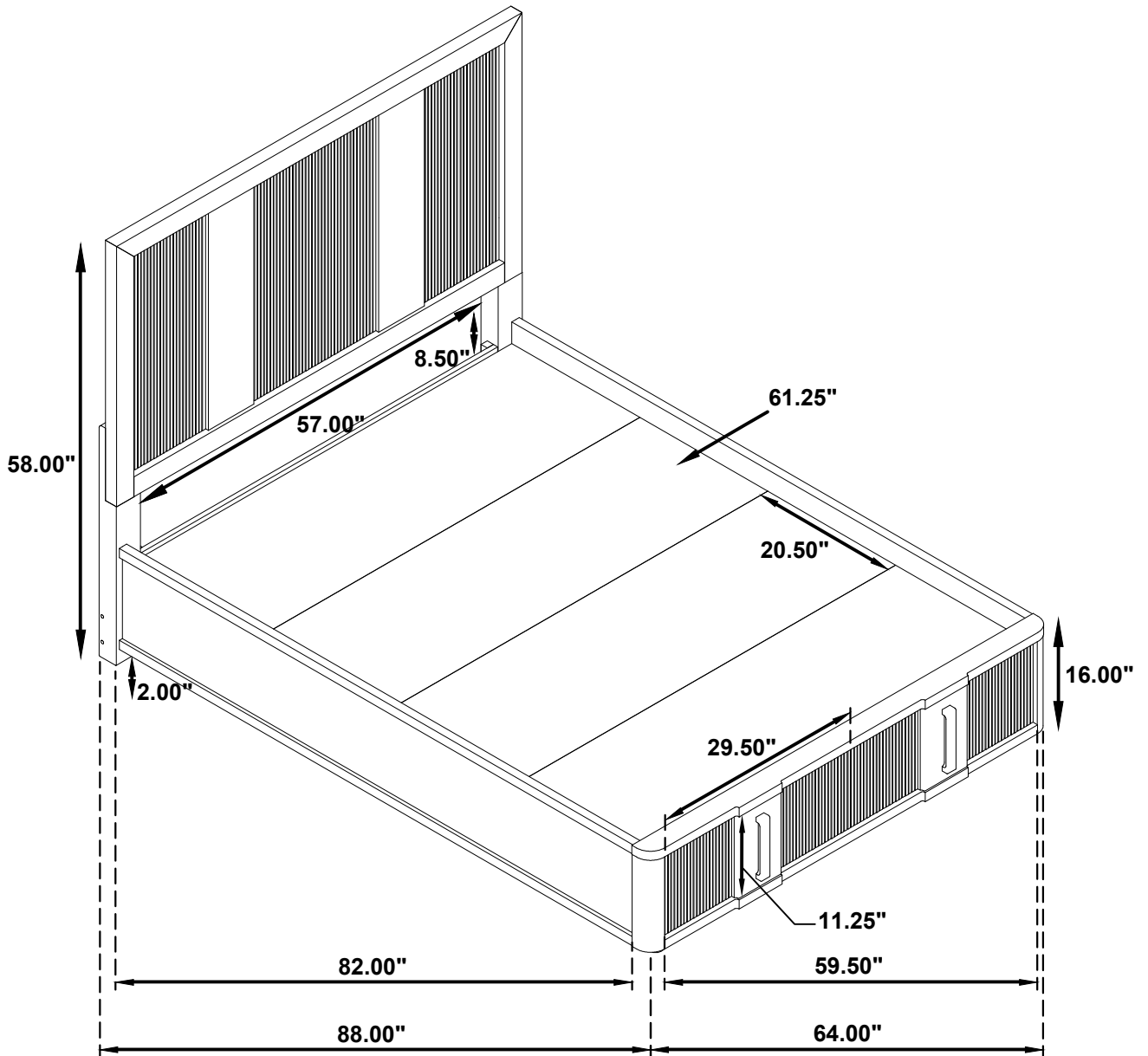


STEP 6 COMPLETE



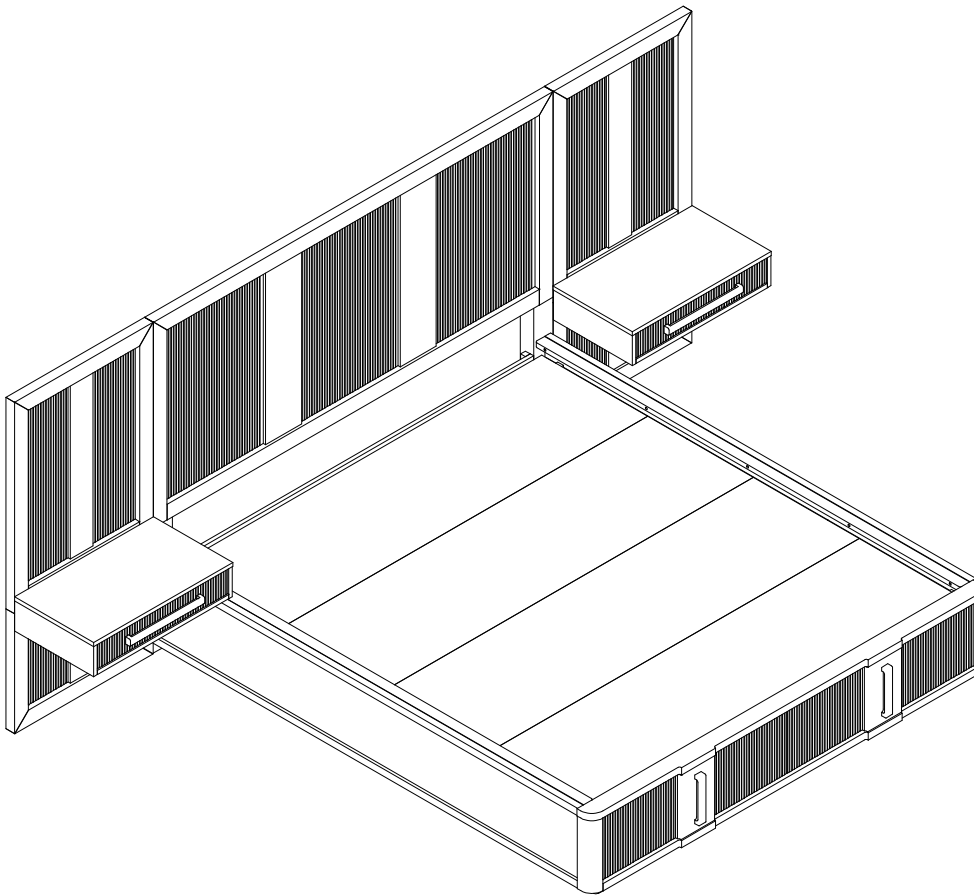
Inner Size : 61.25"W x 82.00"D

Inner Size of Drawer : 25.75"W x 22.75"D x 7.25"H x 0.25T



Note : Dimension tolerance $\pm 5\%$

ASSEMBLY INSTRUCTIONS



Fine Furniture for every stage of life

Left & Right Wall Bed Panel With Nightand

ASSEMBLY INSTRUCTIONS

ASSEMBLY TIPS:

1. Remove hardware from box and sort by size.
2. Please check to see that all hardware and parts are present prior to start of assembly.
3. Please follow attached instructions in the same sequence as numbered to assure fast & easy assembly.



WARNING

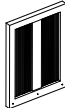
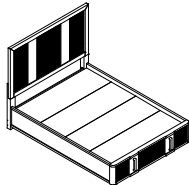

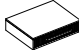
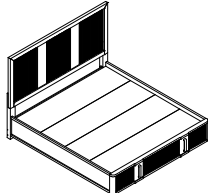

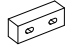
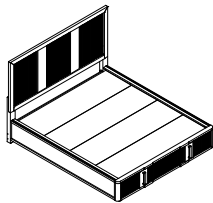
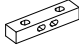
1. Don't attempt to repair or modify parts that are broken or defective. Please contact the store immediately.
2. This product is for home use only and not intended for commercial establishments.




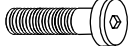





ASSEMBLY TIME

20 MINUTES

PARTS IDENTIFICATION

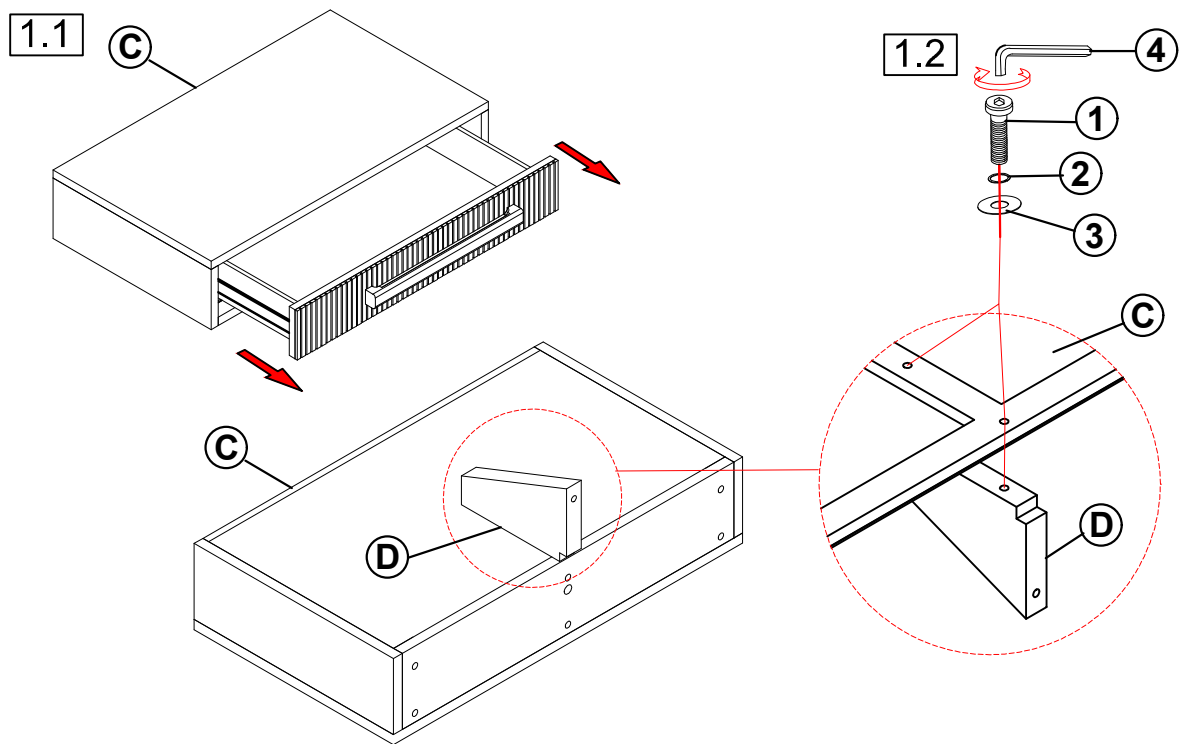
A	TOP PANEL		2PCS	BD	BED FROM BOX		1SET
B	BOTTOM PANEL		2PCS		or		
C	DRAWER		2PCS				1SET
D	DRAWER SUPPORT		2PCS		or		
E	TOP PANEL SUPPORT		4PCS				1SET
F	BOTTOM PANEL SUPPORT		2PCS				

HARDWARE IDENTIFICATION

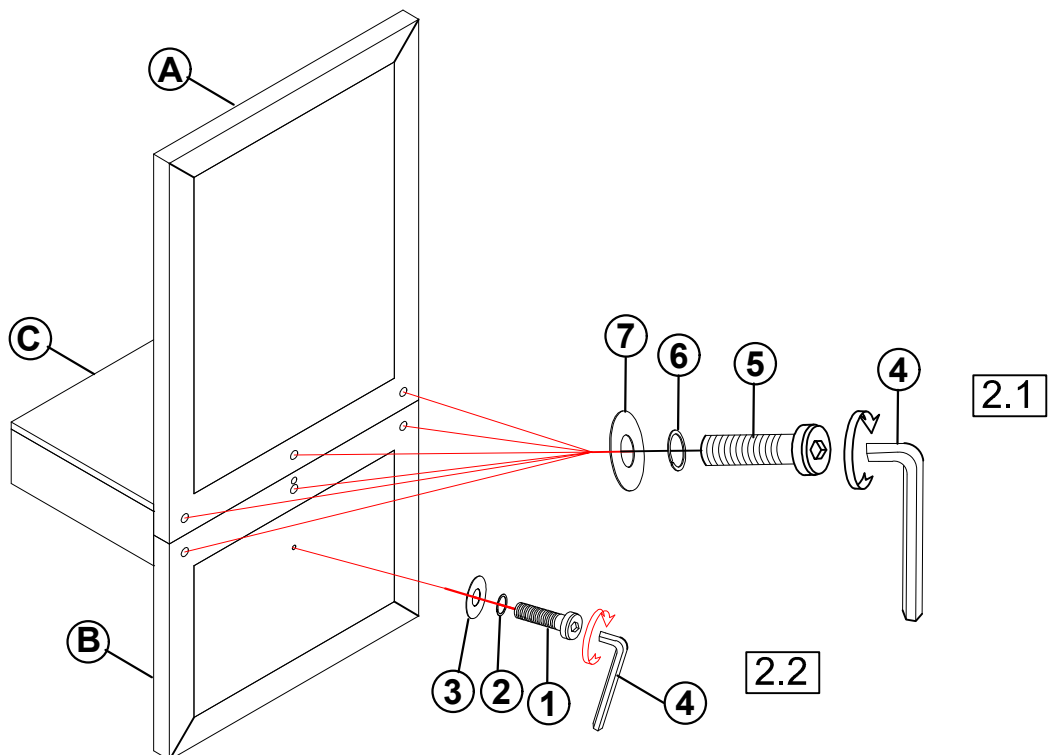
1	SHORT BOLT (1/4" x 45mm - RBW)		6PCS	5	LONG BOLT (5/16" x 50mm - RBW)		28PCS
2	SMALL LOCK WASHER (1/4" - RBW)		6PCS	6	BIG LOCK WASHER (5/16" - RBW)		28PCS
3	SMALL FLAT WASHER (1/4" x 19 x 1.5mm - RBW)		6PCS	7	BIG FLAT WASHER (5/16" x 19 x 1.5mm - RBW)		28PCS
4	ALLEN WRENCH (74 x 30 x 4mm - RBW)		1PC				

ASSEMBLY INSTRUCTIONS

STEP 1

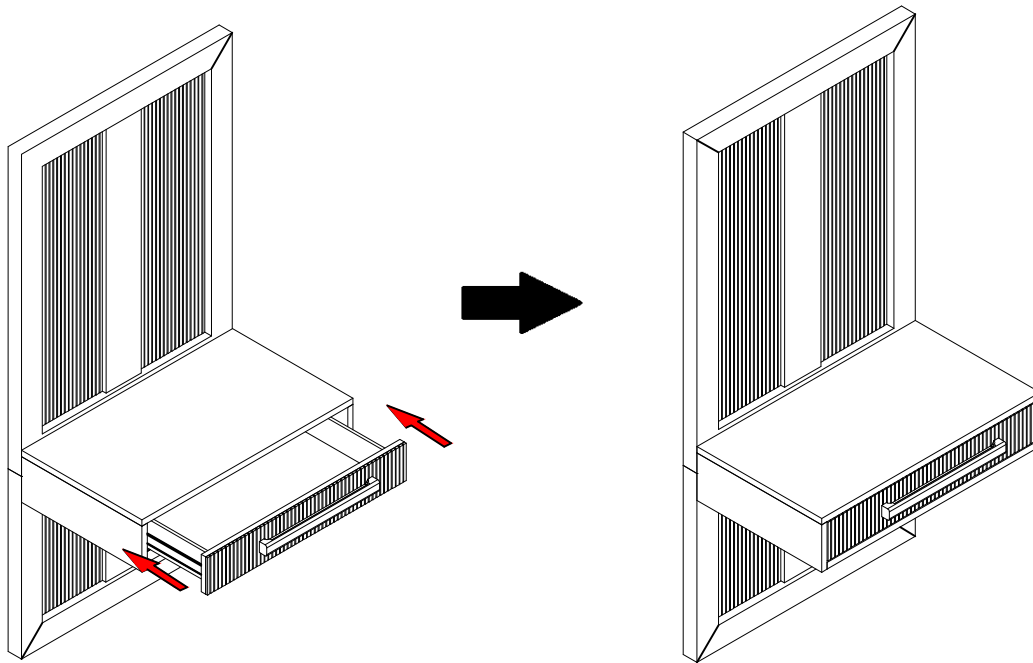


STEP 2

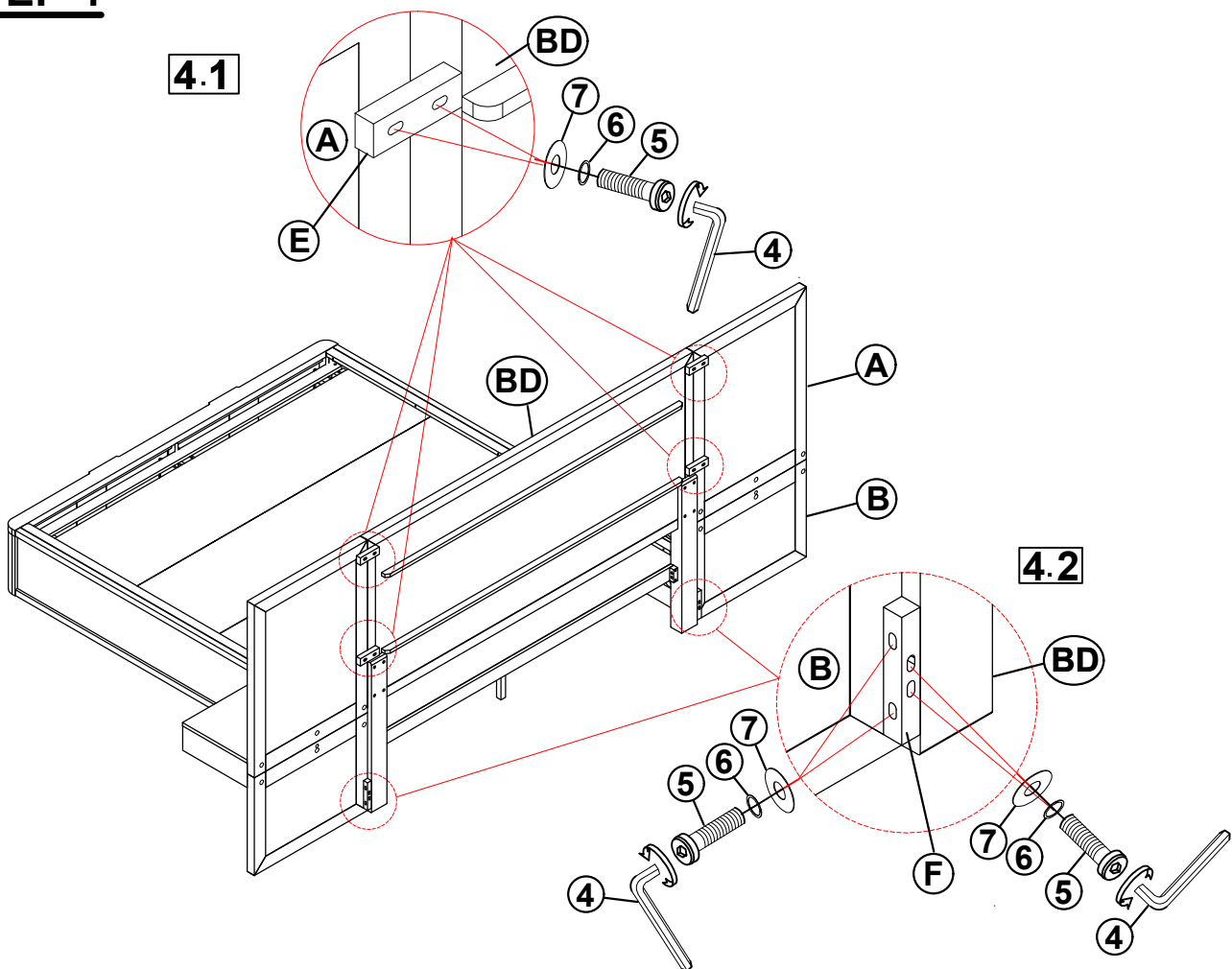


ASSEMBLY INSTRUCTIONS

STEP 3



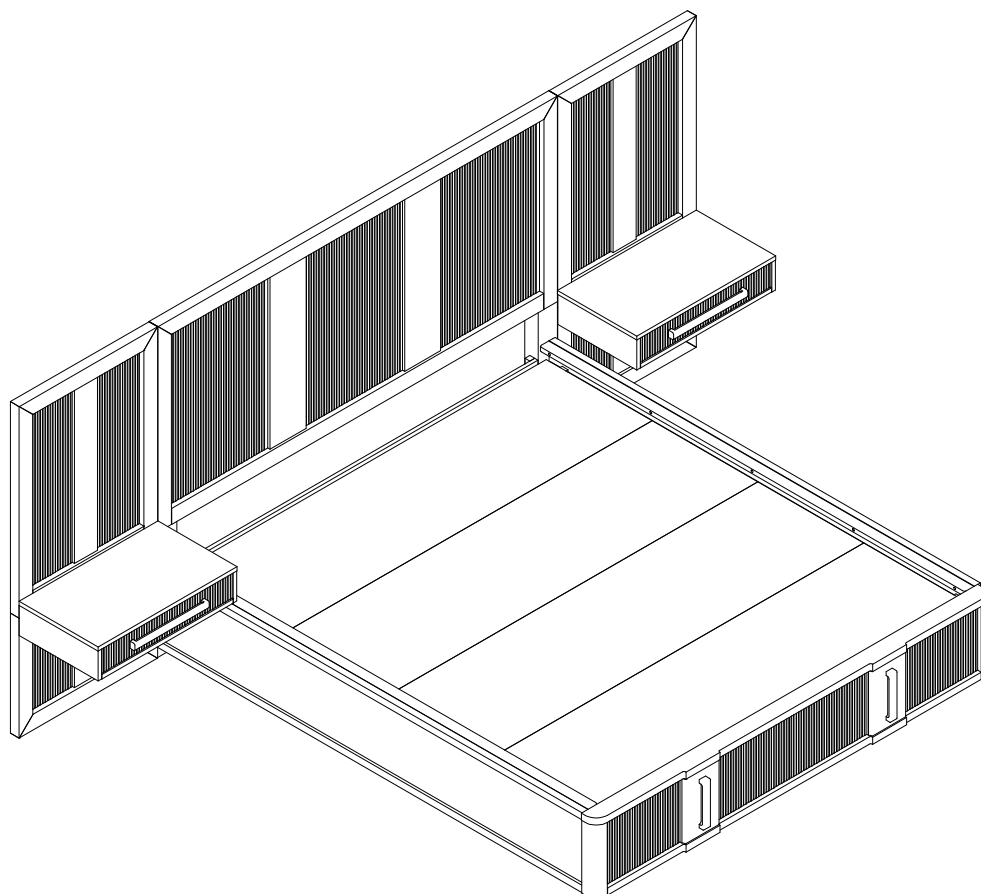
STEP 4



ASSEMBLY INSTRUCTIONS

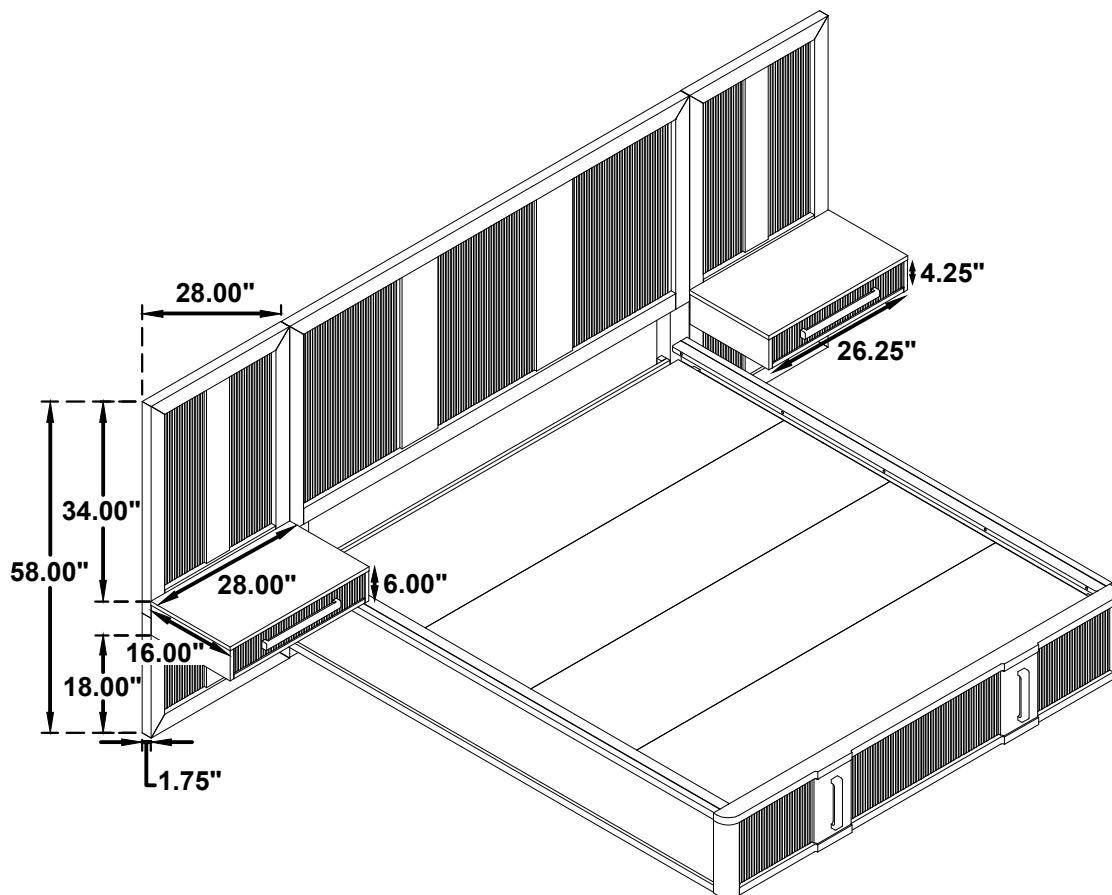
STEP 5

COMPLETE



Inner Size of Drawer : 23.25"W x 12.75"D x 2.75"H x 0.25T

Inner Size of Drawer : 23.25"W x 12.75"D x 2.75"H x 0.25T



Note : Dimension tolerance $\pm 5\%$