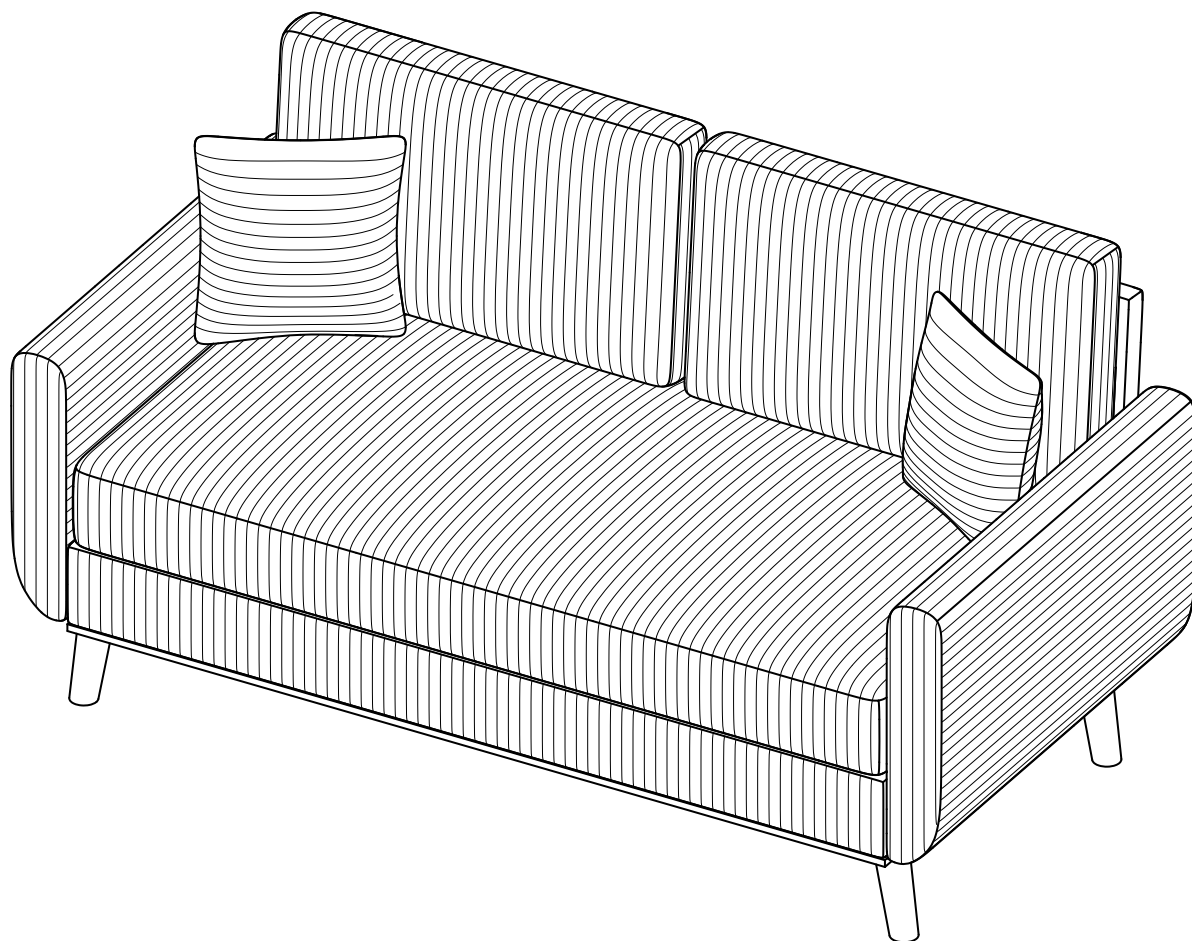


ASSEMBLY INSTRUCTIONS

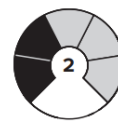
SPU:519
Loveseat Sofa



TIME



2 OF PEOPLE



DIFFICULTY

NOTICE

Instruction Booklet - Important Safety Information

Thank you for choosing our product. Please review this booklet carefully for essential safety information and keep it for future reference.

- ① Upon receiving the product, ***ensure all parts are present and intact*** before proceeding with installation. Follow the entire installation instructions provided.
- ② During installation, exercise caution and refrain from immediately tightening screws. Secure all screws to 80% before final tightening.

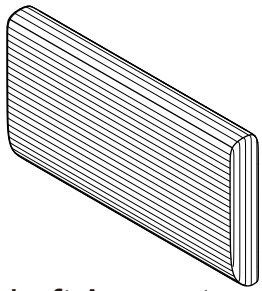
Returns are accepted only for items in their ***original, unopened condition***.



Before installation, please check that the parts are all included !

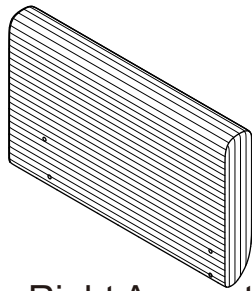
Carton A

Materials ▶



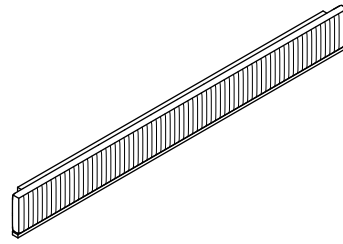
Left Armrest

A-L*1



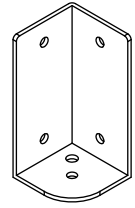
Right Armrest

A-R*1



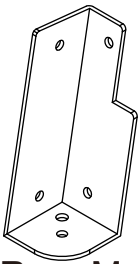
Front board

B*1



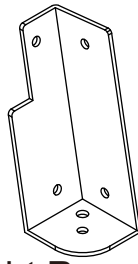
Front Metal

C*2



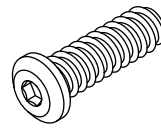
Left Rear Metal

D-L*1



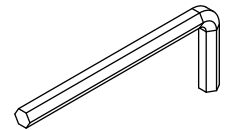
Right Rear Metal

D-R*1



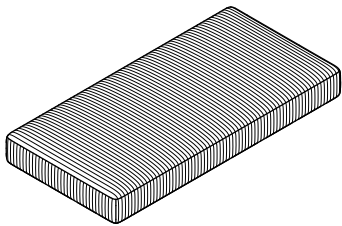
M6x20mm
Screws

E*18



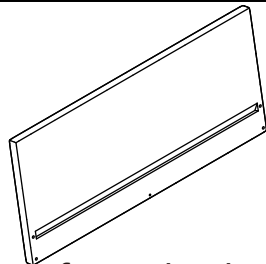
Allen Key

F*1



Seat Cushion

G*1



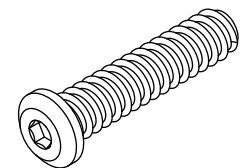
Iron frame backrest

H*1



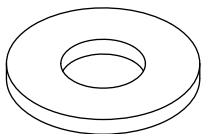
Legs

I*4



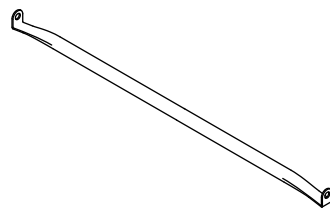
M6x40mm
Screws

J*4



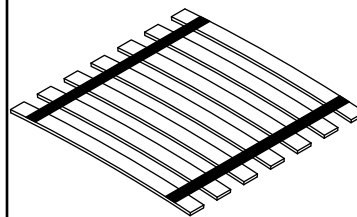
Washers

K*4



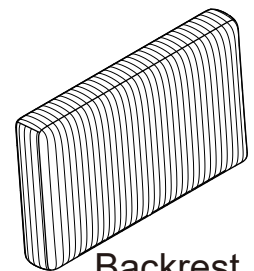
Connector

L*1



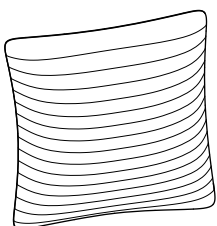
Wooden slats

M*2



Backrest

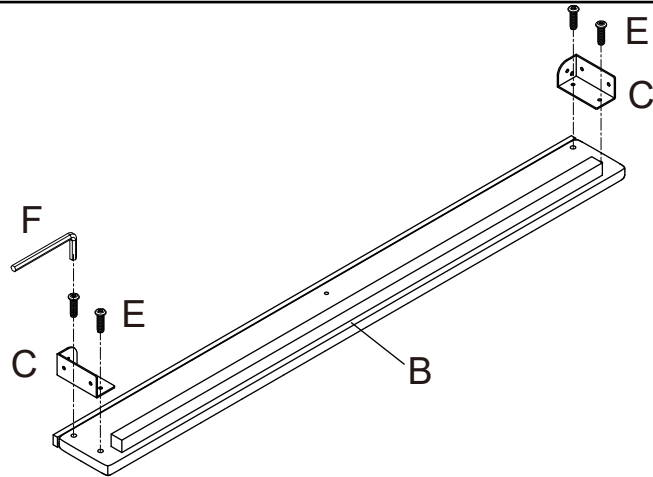
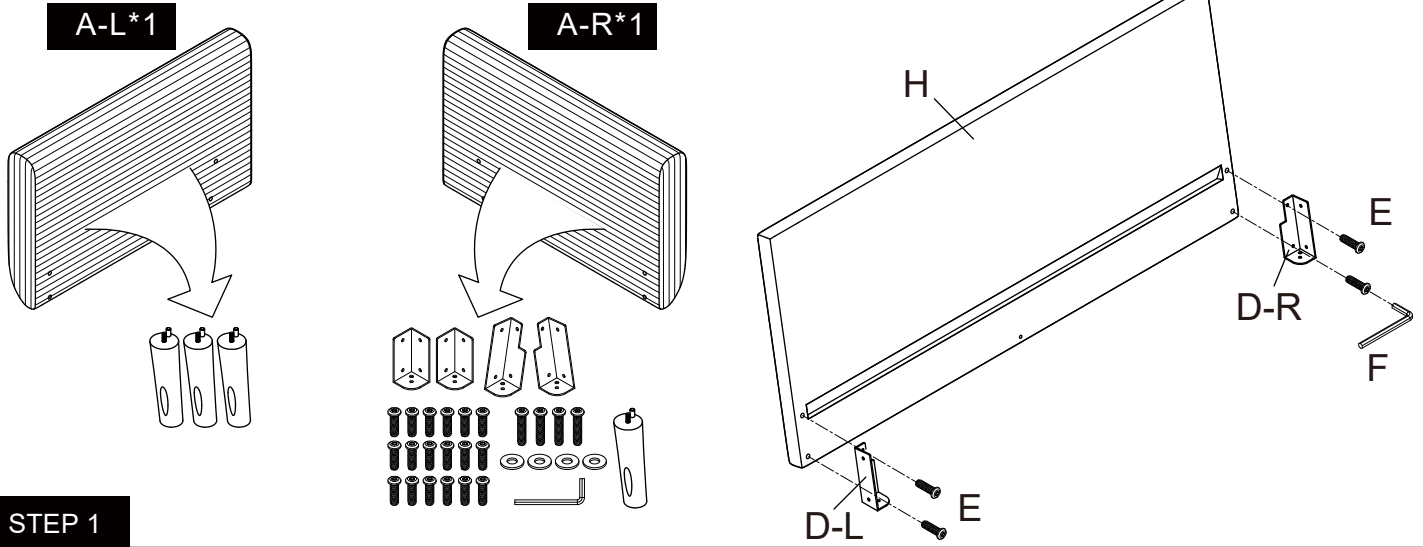
N*2



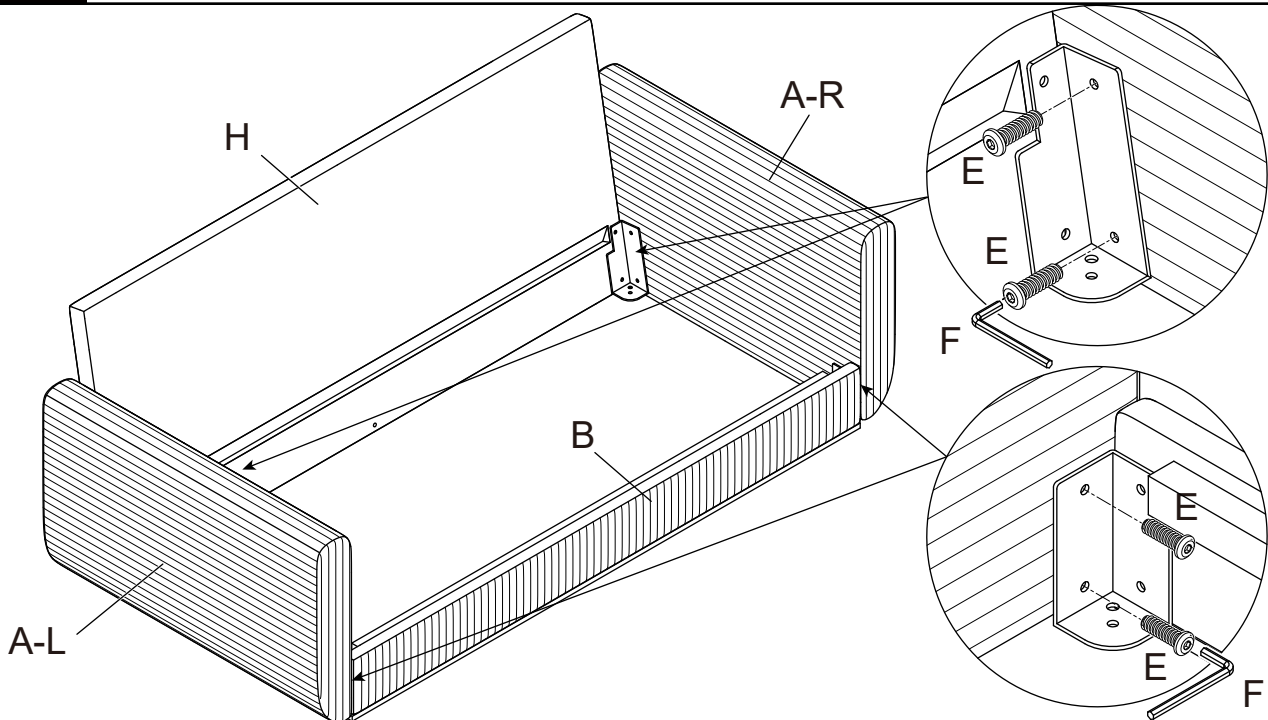
Pillow

O*2

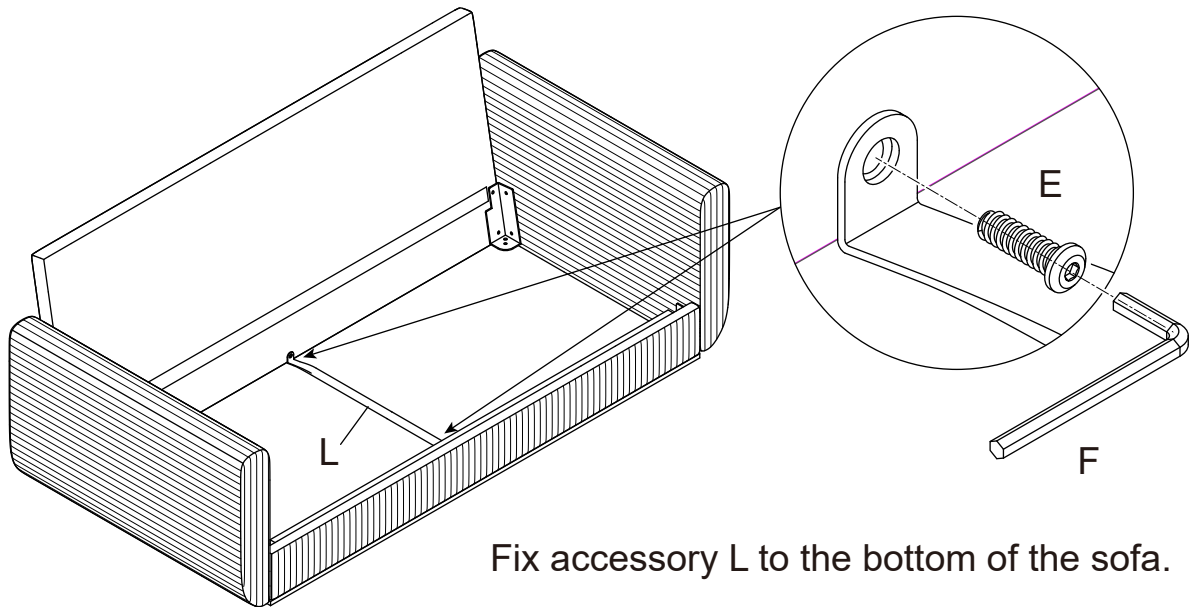
Installation Steps



Attach accessory C to part B.

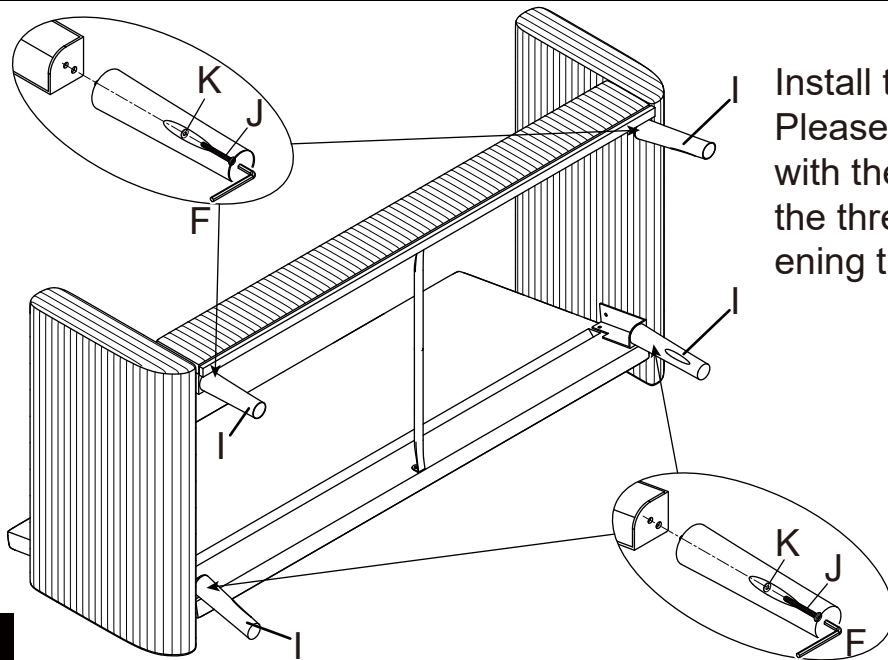


Secure the left and right armrests to parts H and B, respectively.



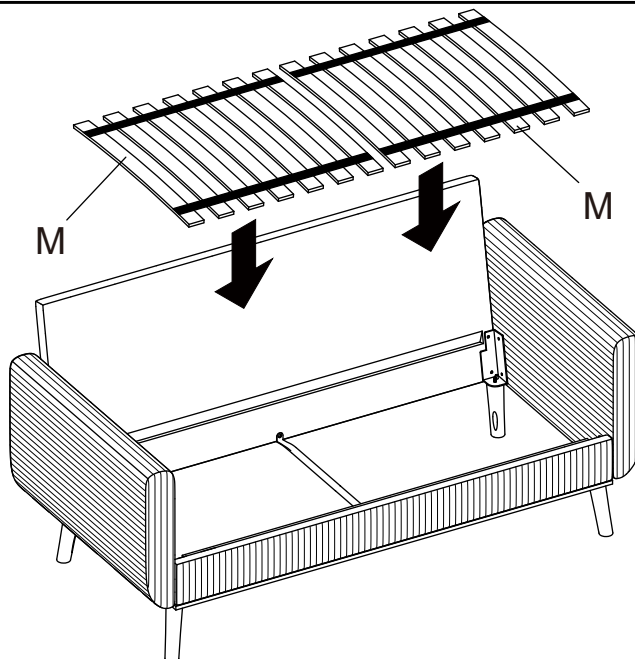
Fix accessory L to the bottom of the sofa.

STEP 4



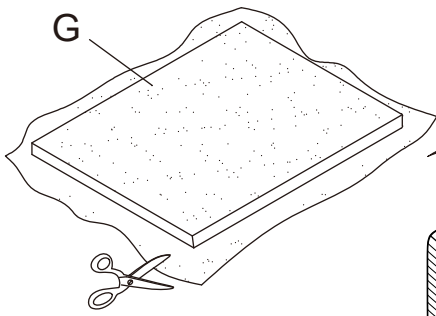
Install the sofa legs (part I), Please align the support legs with the wooden pin holes and the threaded holes before tightening the screws.

STEP 5

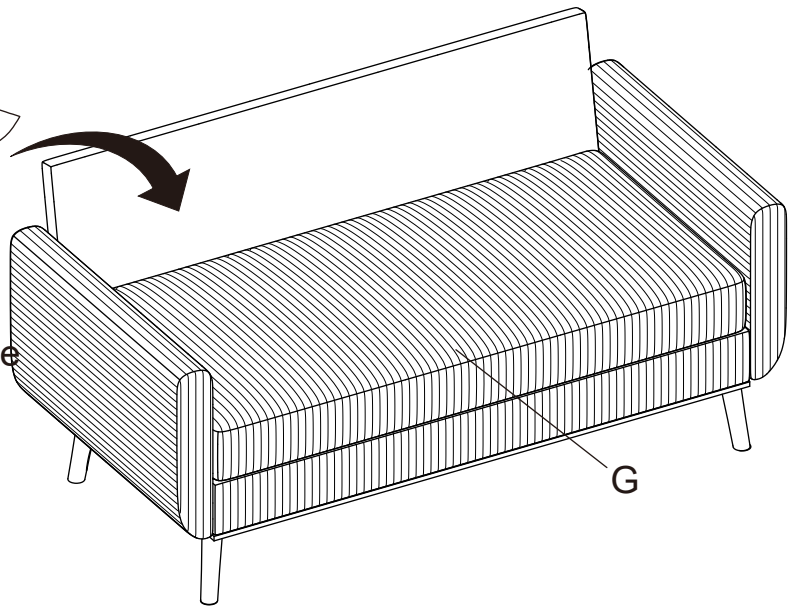


Place component M on the bottom frame of the sofa.

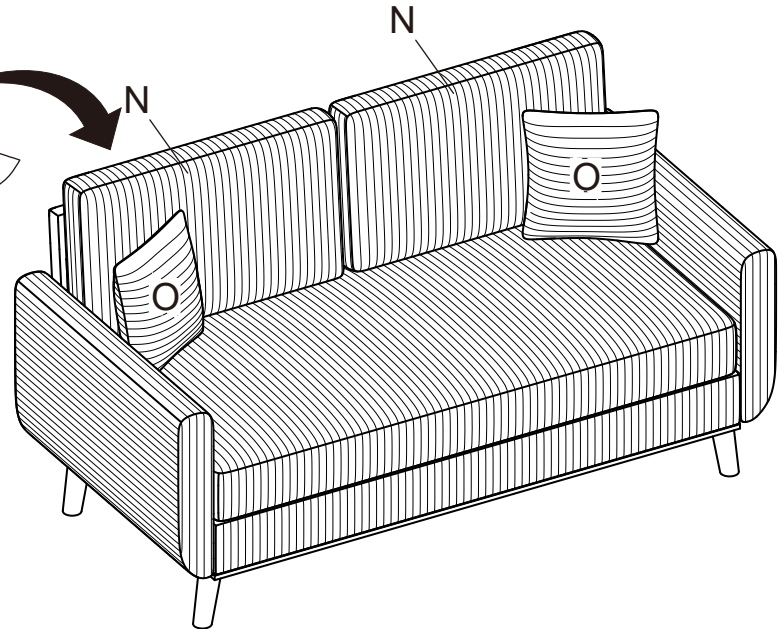
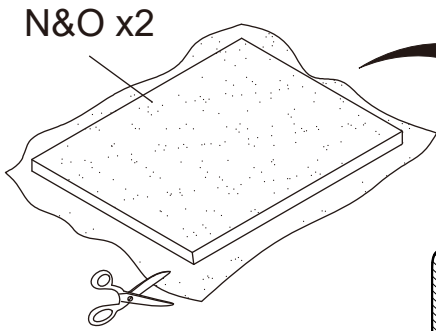
STEP 6



Unpack the cushions from the compressed bags and place them on the sofa.

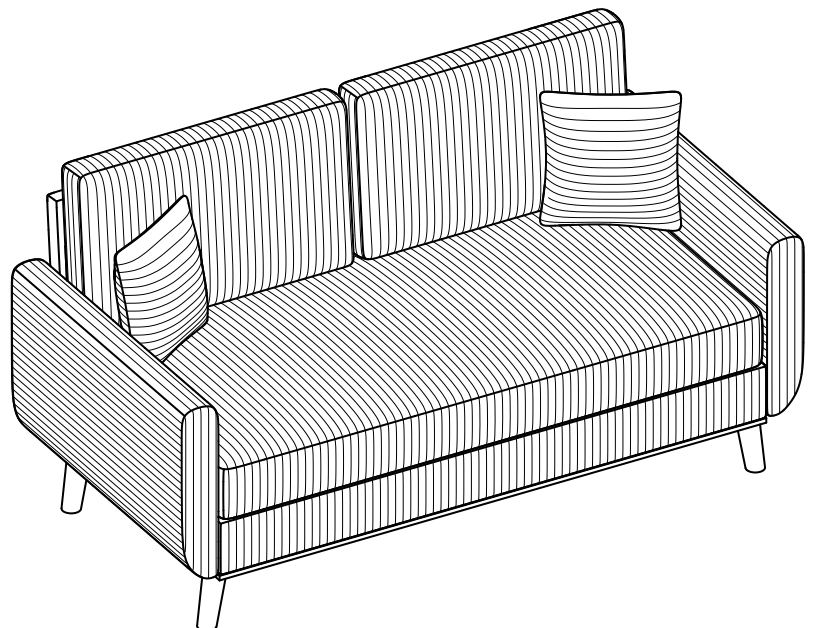


STEP 7



STEP 8

Tips: As the cushions are all vacuum compressed for better shipment, there will be some wrinkles. Please give your cushions up to 72 hours to reach their original size and the wrinkles will basically disappear.



STEP 9

Frequently Asked Questions

We understand that receiving damaged or defective products can be disappointing, and we're here to assist you every step of the way. Here's how to address common concerns and initiate a damage claim:

1.What should I do if my shipment is damaged or products received are defective?

We're genuinely sorry to hear about any inconvenience caused. Please reach out to us promptly, and our team will prioritize resolving the matter swiftly and effectively, please retain the original box in case a return is required.

2.Can I return the product if I'm not satisfied?

While we uphold stringent quality standards and collaborate with experienced manufacturers, we acknowledge that dissatisfaction may arise. If you're still unsatisfied, of receiving the product. Simply message us with your reasons for return, and we'll facilitate the process.