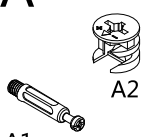


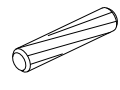
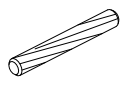
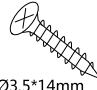
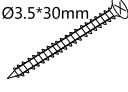
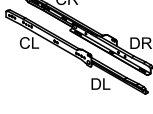
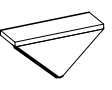


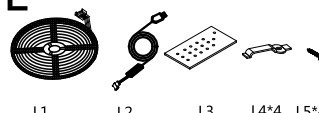

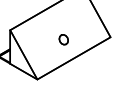
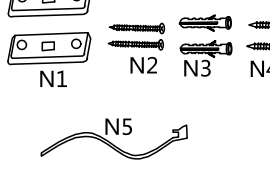

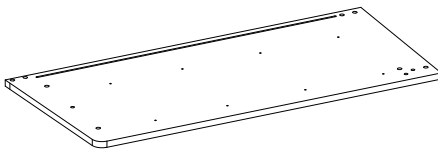
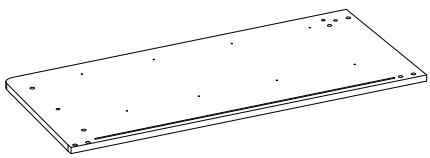
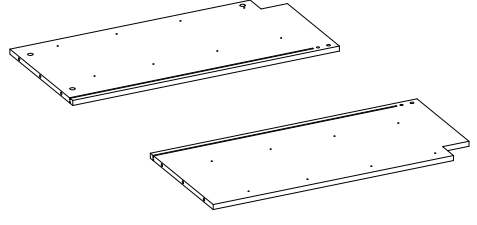
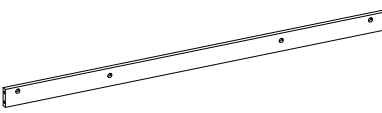
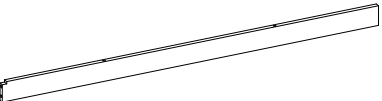
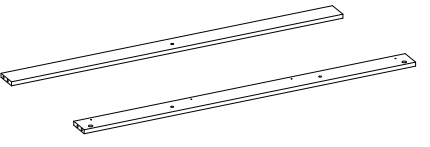
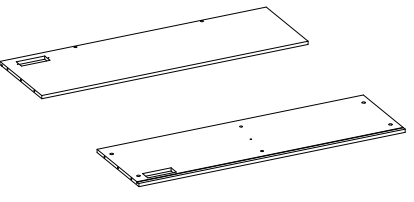
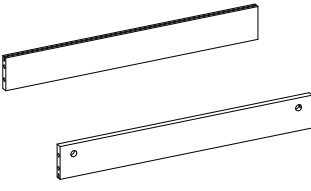
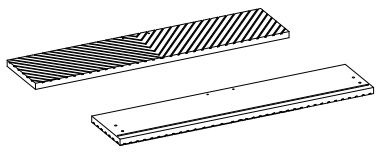
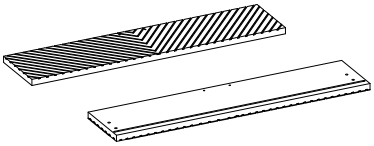
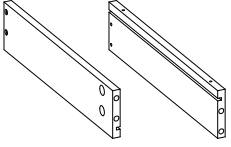
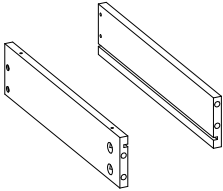

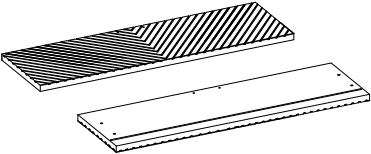
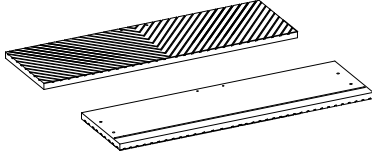
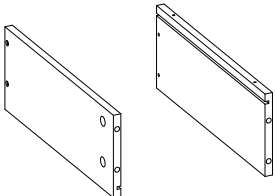
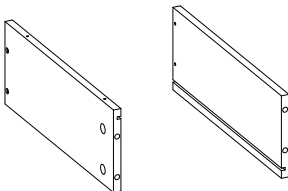

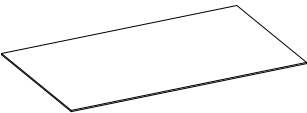
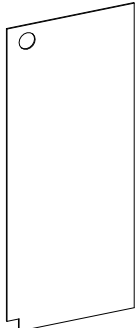


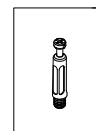
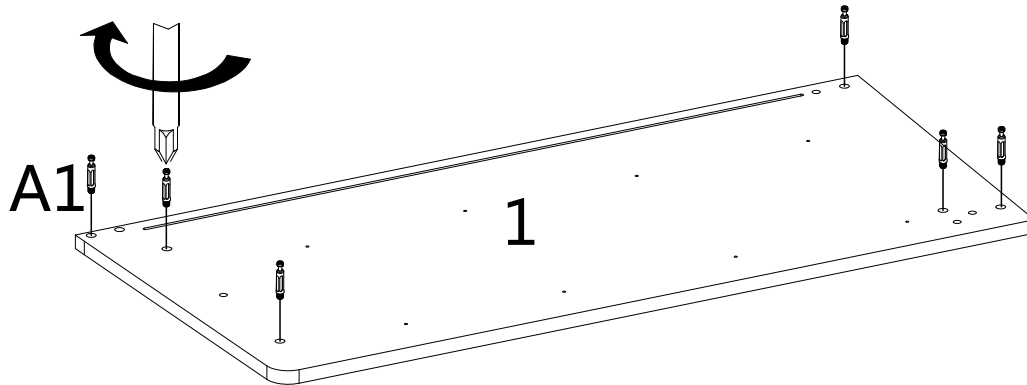
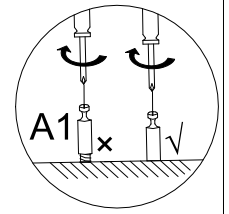
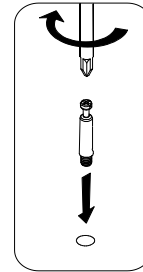


<p><b>A</b></p>  <p>A1 A2</p> <p>21PCS</p>	<p><b>B</b></p>  <p>32PCS</p>	<p><b>C</b></p>  <p>32PCS</p>	<p><b>D</b></p>  <p>Ø8*30mm</p> <p>11PCS</p>	<p><b>E</b></p>  <p>Ø8*50mm</p> <p>1PC</p>	<p><b>F</b></p>  <p>Ø3.5*14mm</p> <p>80PCS</p>	<p><b>G</b></p>  <p>Ø3.5*30mm</p> <p>32PCS</p>	<p><b>H</b></p>  <p>CR CL DR DL</p> <p>L=350mm 8PCS</p>
<p><b>I</b></p>  <p>8PCS</p>	<p><b>J</b></p>  <p>16PCS</p>	<p><b>K</b></p>  <p>K1 K2*2</p> <p>1PC</p>	<p><b>L</b></p>  <p>L1 L2 L3 L4*4 L5*4</p> <p>1PC</p>	<p><b>M</b></p>  <p>10PCS</p>	<p><b>O</b></p>  <p>16PCS</p>		
<p><b>N</b></p>  <p>N1 N2 N3 N4 N5</p> <p>2PCS</p>	<p><b>P</b></p>  <p>53PCS</p>						

<p>1</p>  <p>885*400*15mm 1PC</p>	<p>2</p>  <p>885*400*15mm 1PC</p>	<p>3</p> <p>one side</p>  <p>the other side</p> <p>810*384*15mm 1PC</p>
<p>4</p>  <p>1270*59*15mm 1PC</p>	<p>5</p>  <p>1270*65*15mm 1PC</p>	<p>6</p> <p>one side</p>  <p>the other side</p> <p>1270*80*15mm 1PC</p>
<p>7</p> <p>one side</p>  <p>the other side</p> <p>1270*399*15mm 1PC</p>	<p>8</p> <p>one side</p>  <p>the other side</p> <p>627.5*80*15mm 2PCS</p>	<p>9</p>  <p>631*141*15mm 1PC</p>
<p>10</p>  <p>631*141*15mm 1PC</p>	<p>11</p>  <p>350*75*12mm 2PCS</p>	<p>12</p>  <p>350*75*12mm 2PCS</p>

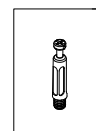
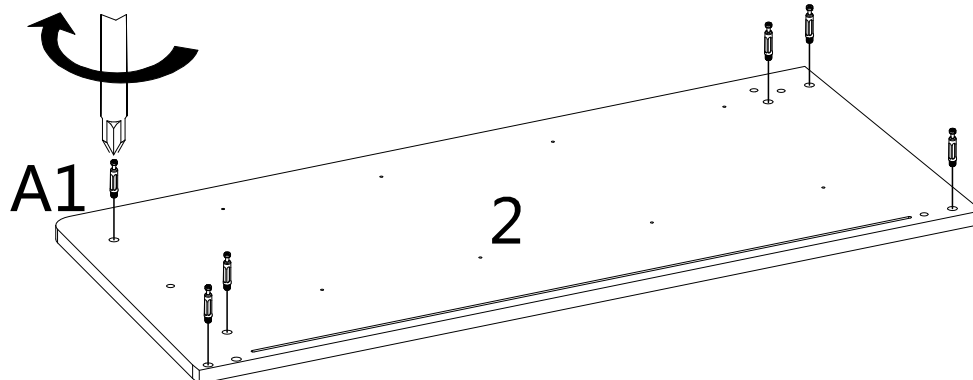
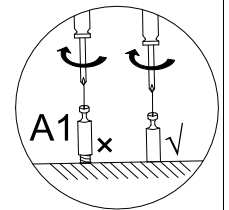
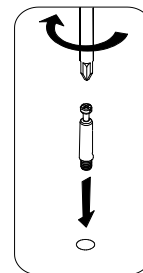
<p>13</p>  <p>578.5*75*12mm      2PCS</p>	<p>14</p>  <p>631*191*15mm      3PCS</p>	<p>15</p>  <p>631*191*15mm      3PCS</p>
<p>16</p>  <p>350*130*12mm      6PCS</p>	<p>17</p>  <p>350*130*12mm      6PCS</p>	<p>18</p>  <p>578.5*130*12mm      6PCS</p>
<p>19</p>  <p>588.5*347*3mm      8PCS</p>	<p>20</p>  <p>740*317*3mm      1PC</p>	<p>21</p>  <p>740*317*3mm      3PCS</p>
<p>22</p>  <p>L=728mm      2PCS</p>		

# STEP 1



A1 × 6PCS

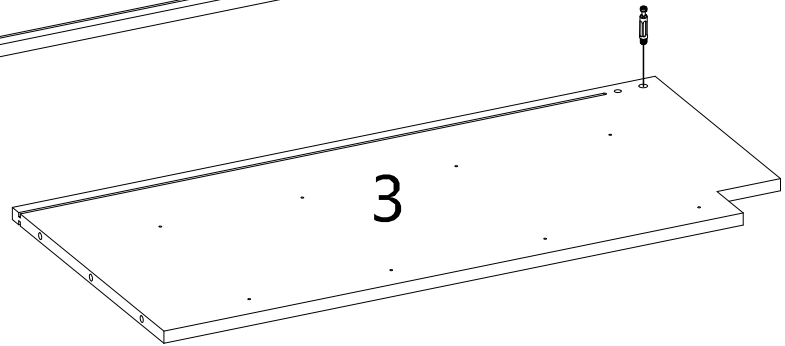
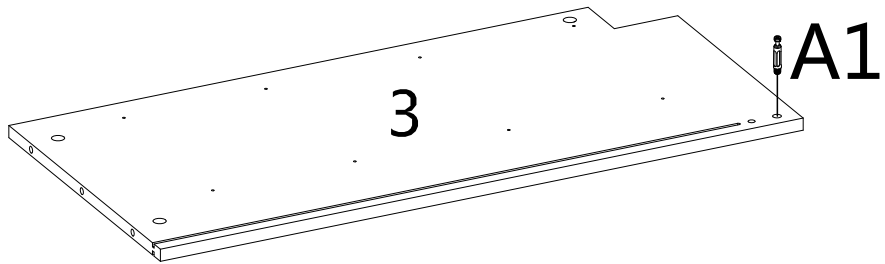
# STEP 2




A1 × 6PCS

# STEP 3

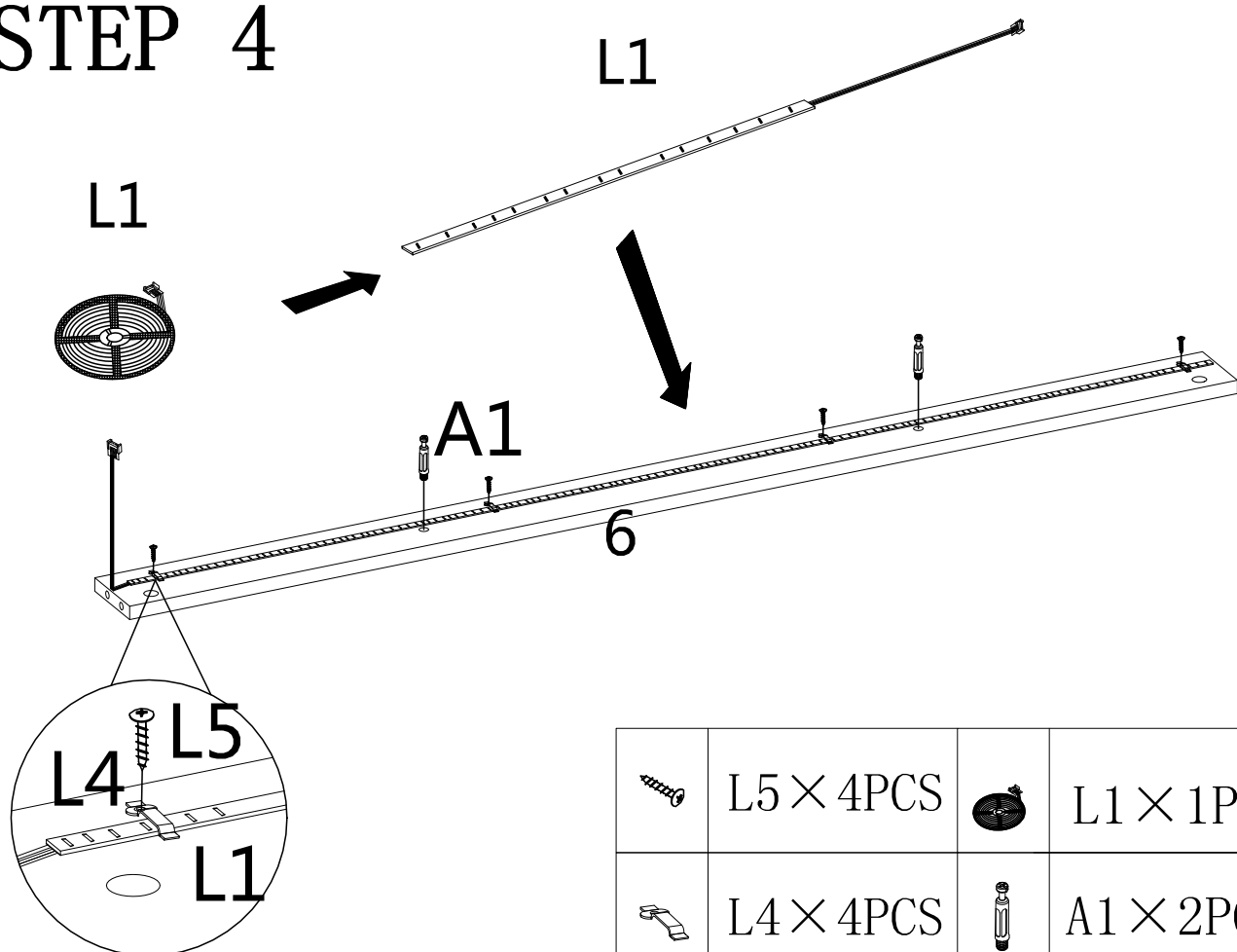
one side







the other side

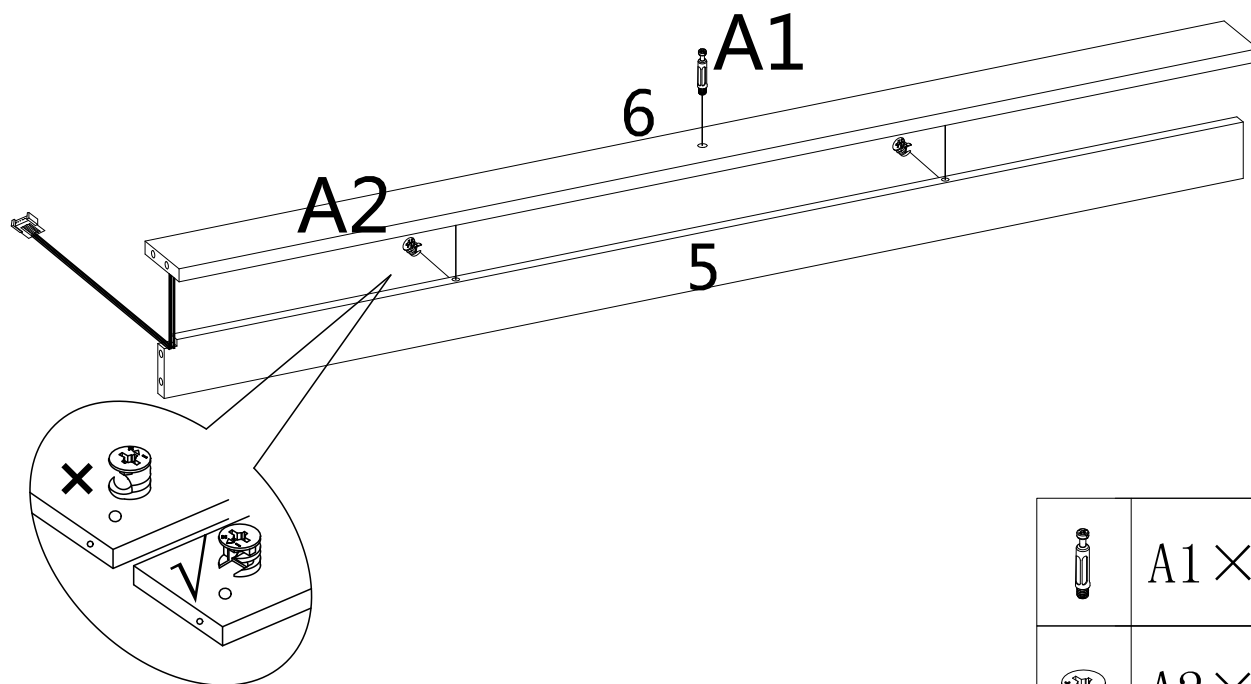
	A1 × 2PCS
---	-----------



# STEP 4



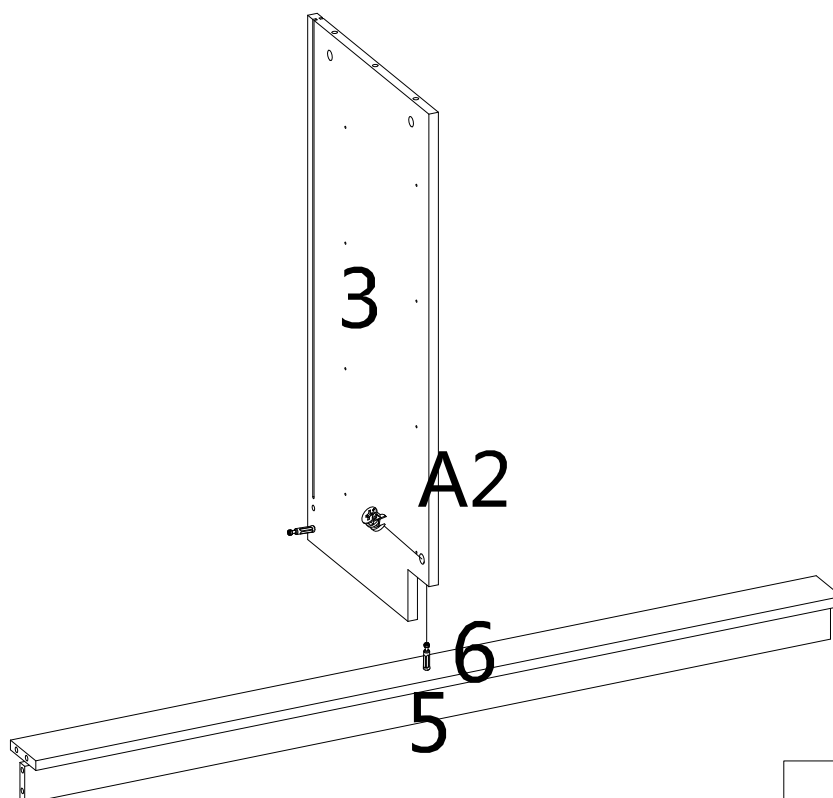
	L5 × 4PCS		L1 × 1PC
	L4 × 4PCS		A1 × 2PCS


# STEP 5



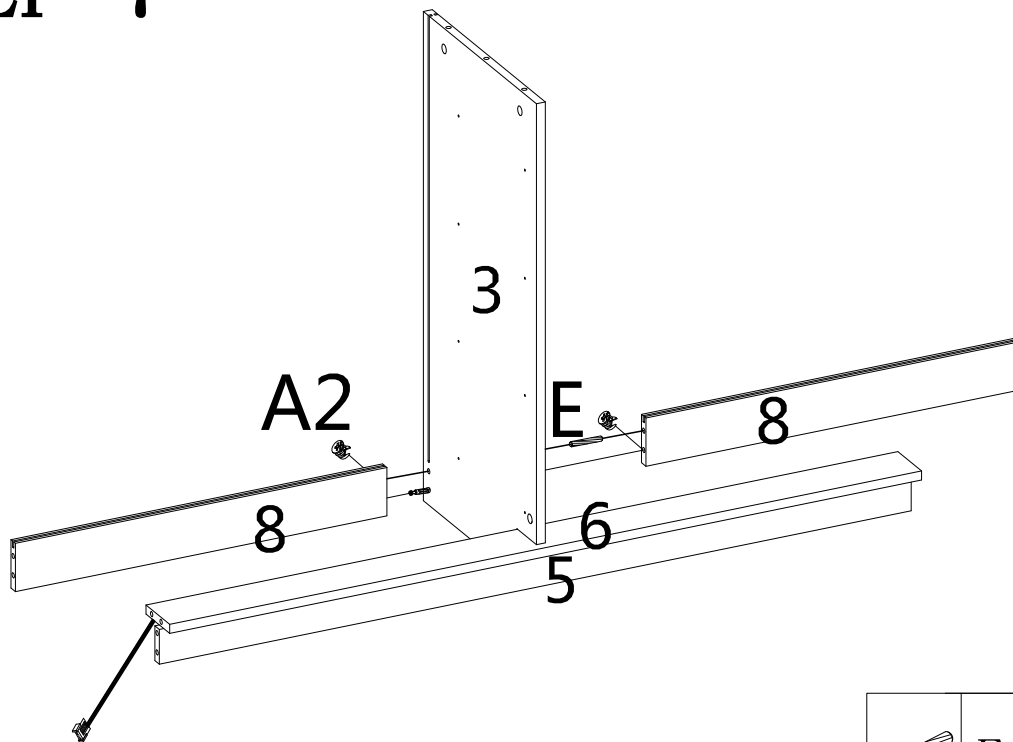
	A1 × 1PC
	A2 × 2PCS



# STEP 6



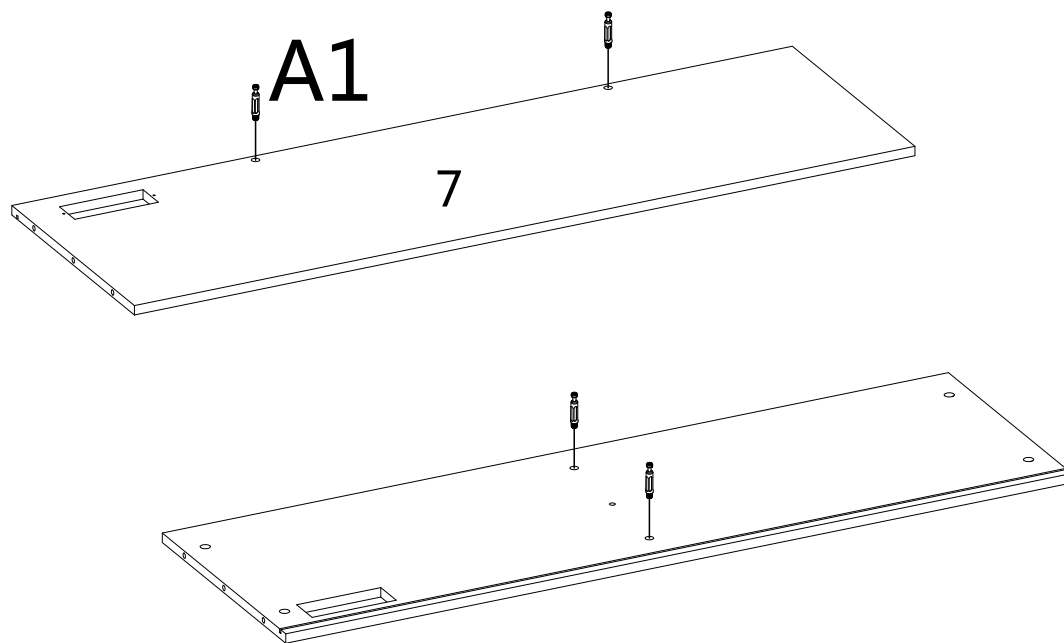
	A2 × 1PC
---	----------


# STEP 7



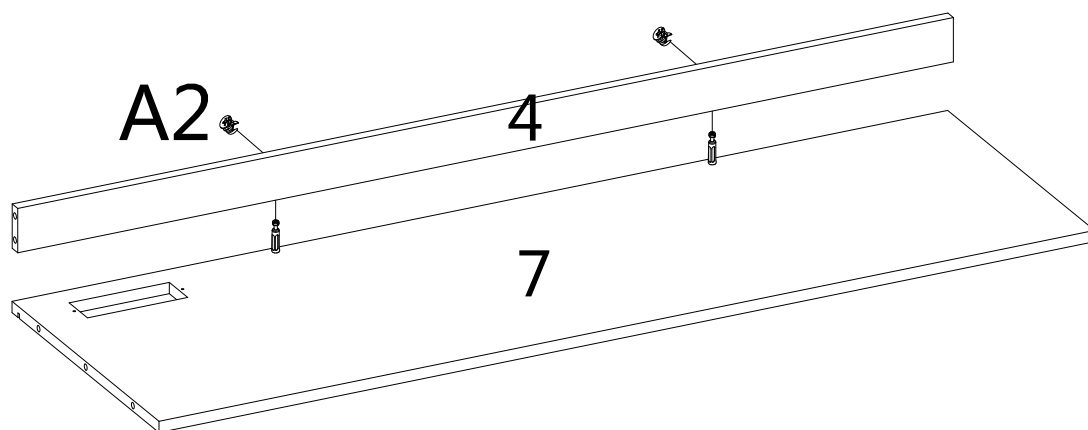
	E × 1PC
	A2 × 2PCS


# STEP 8



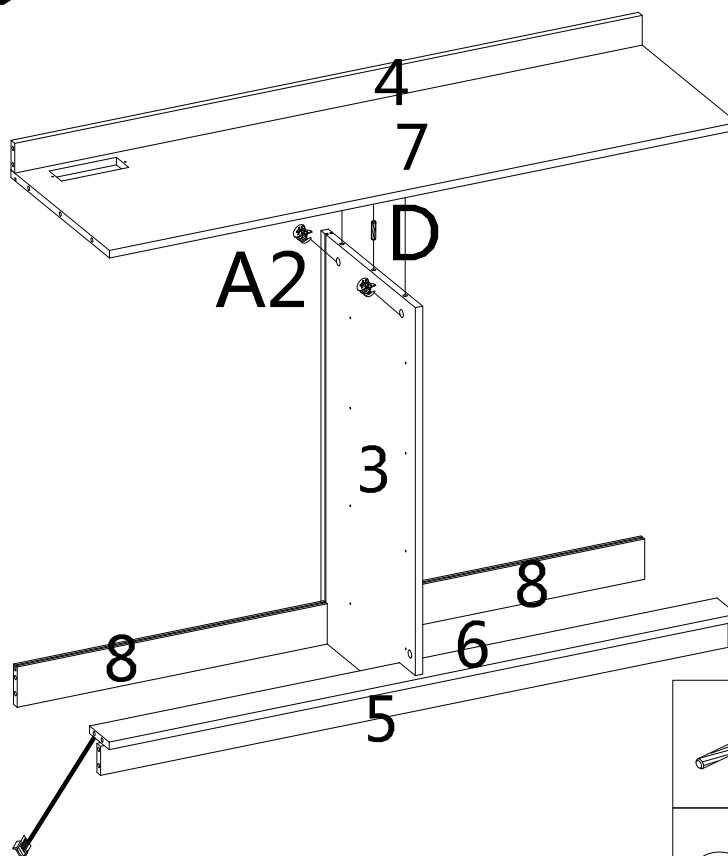
	A1 × 4PCS
---	-----------



# STEP 9



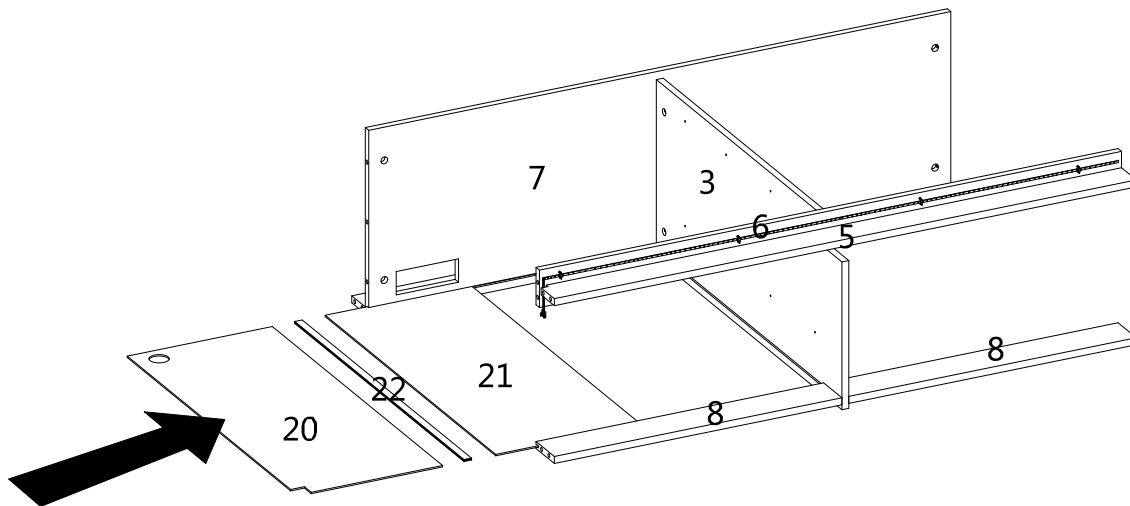
	A2 × 2PCS
---	-----------

# STEP 10

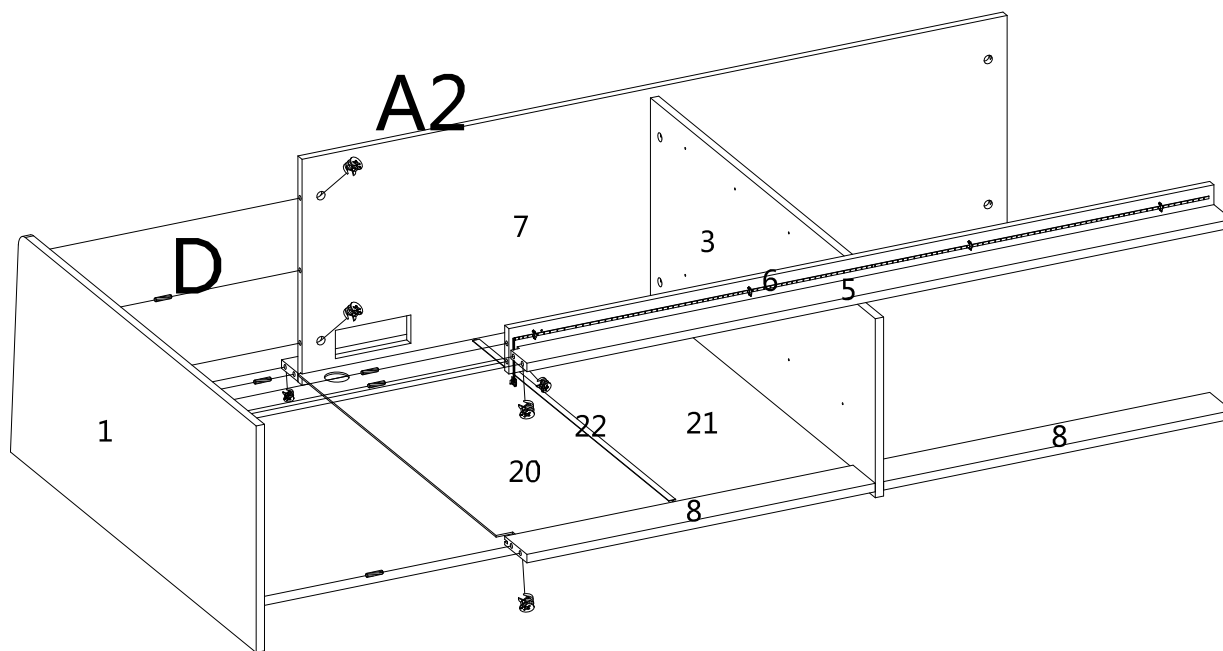




	D × 1PC
	A2 × 2PCS

# STEP 11

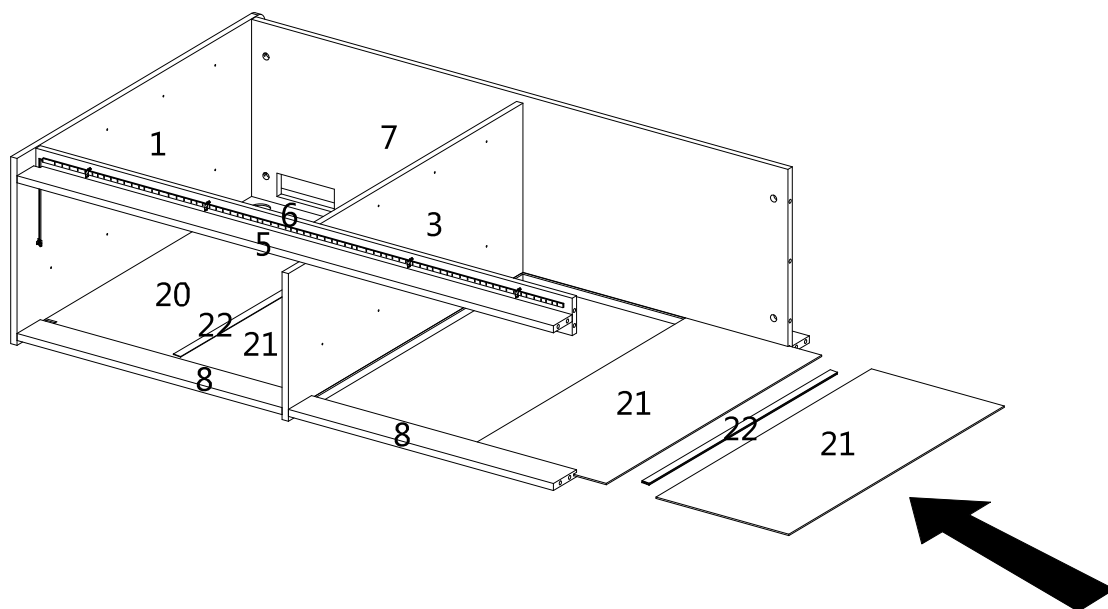


# STEP 12

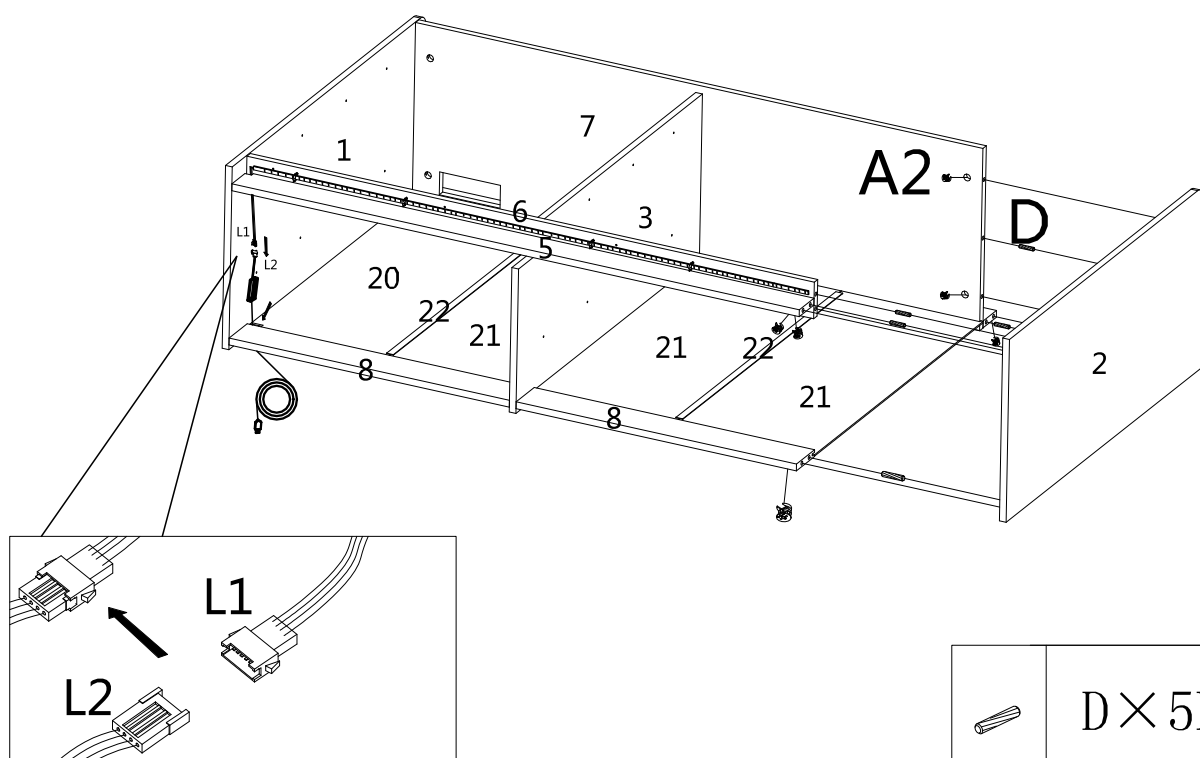





	D × 5PCS
	A2 × 6PCS

# STEP 13

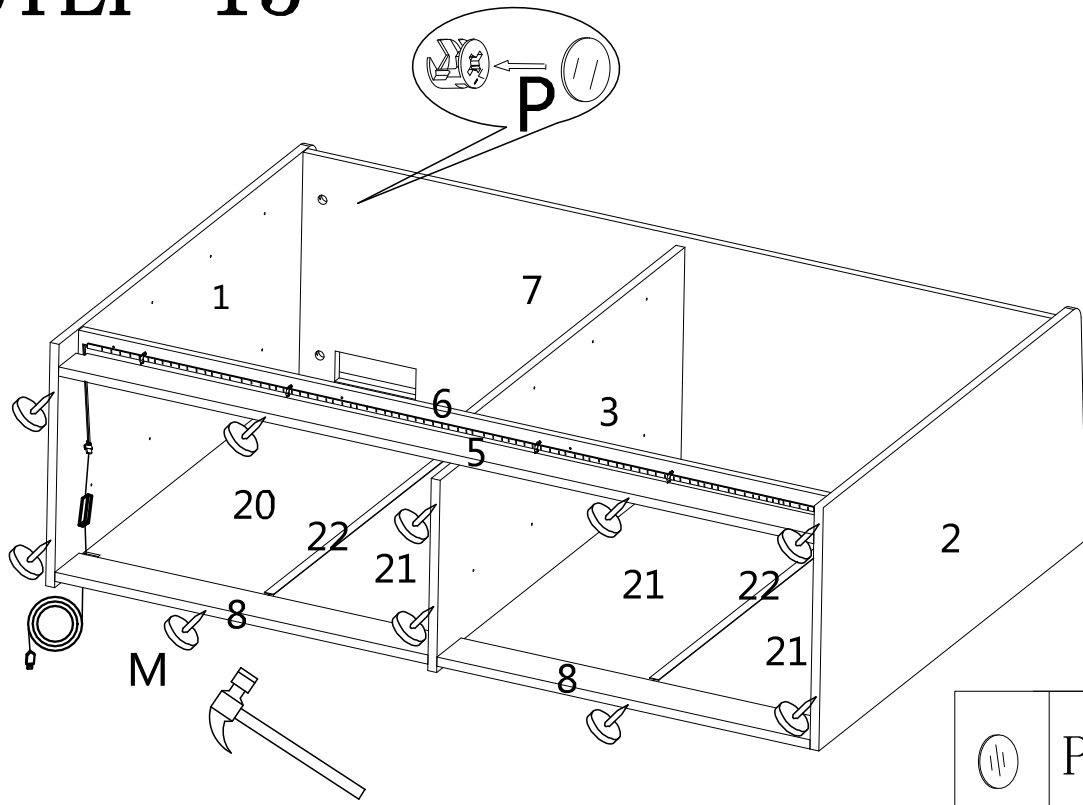


# STEP 14



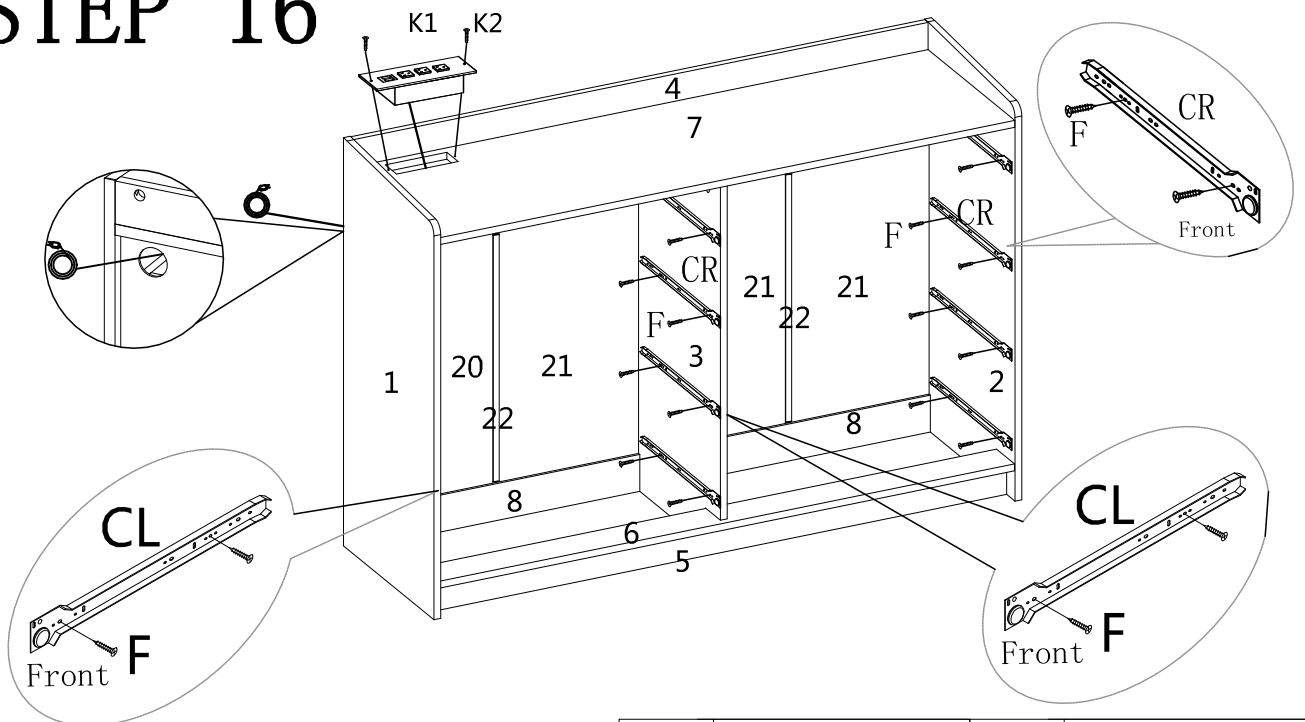
	D × 5PCS
	L2 × 1PC
	A2 × 6PCS

# STEP 15



	P × 21PCS
	M × 10PCS

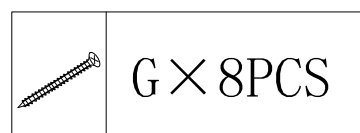
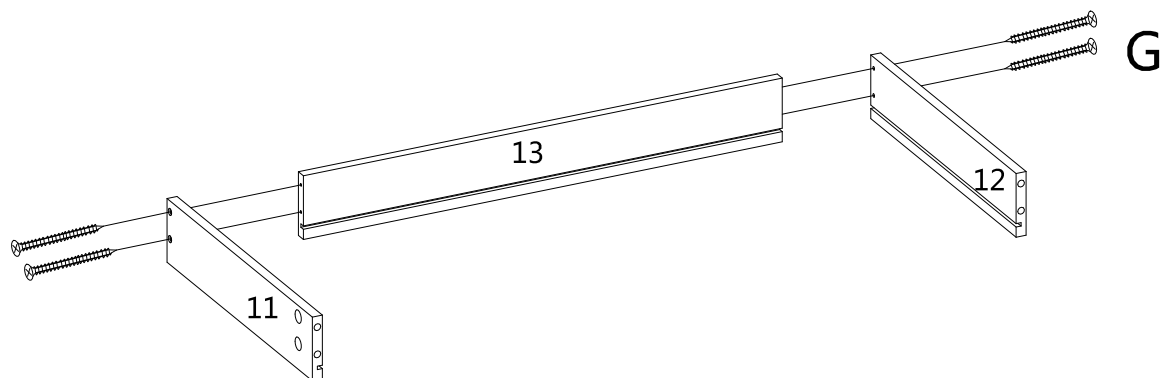
# STEP 16



	K1 × 1PC		F × 32PCS
	K2 × 2PCS		CL × 8PCS
			CR × 8PCS

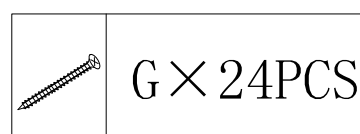
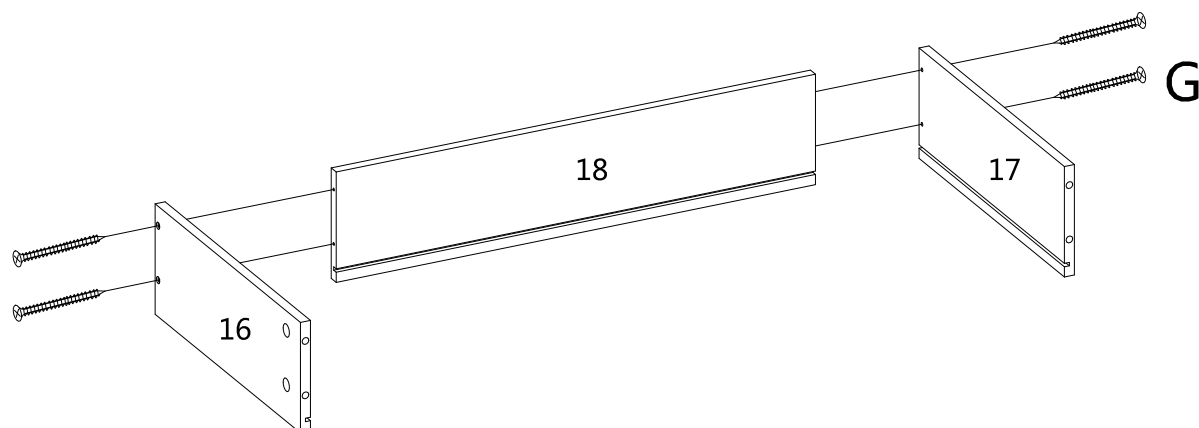
# STEP 17

# X2



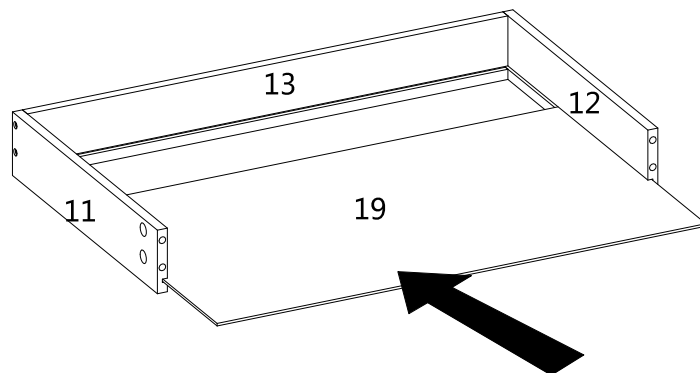
# STEP 18

# X6



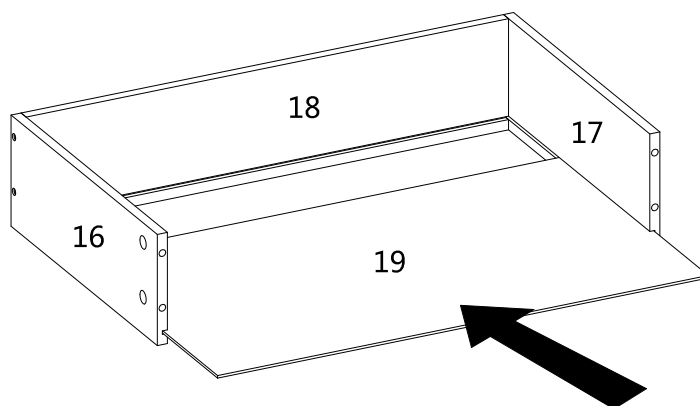
STEP 19

X2

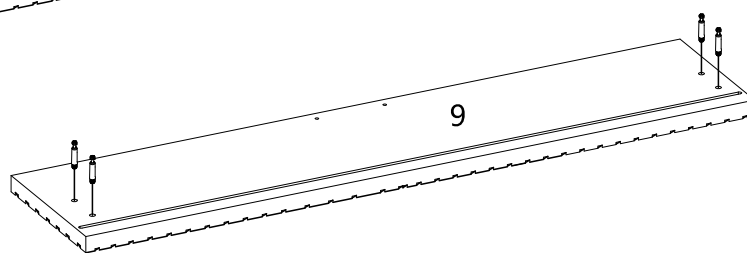
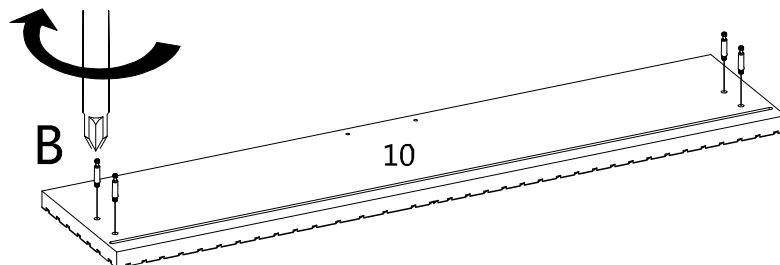
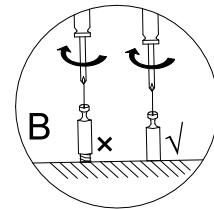
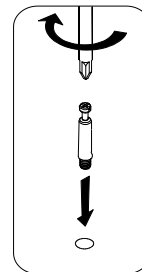


STEP 20

X6



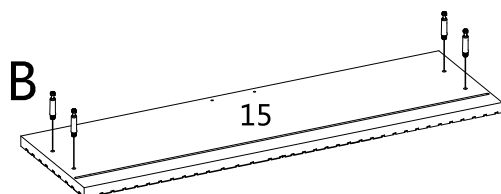
# STEP 21



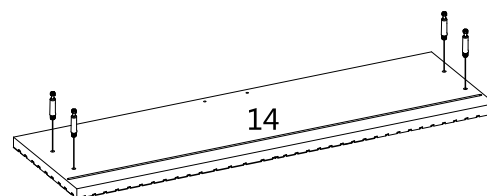
$B \times 8\text{PCS}$

# STEP 22

## X3

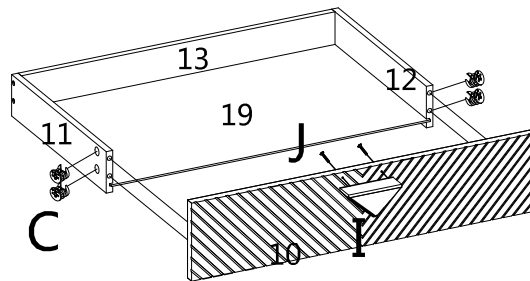
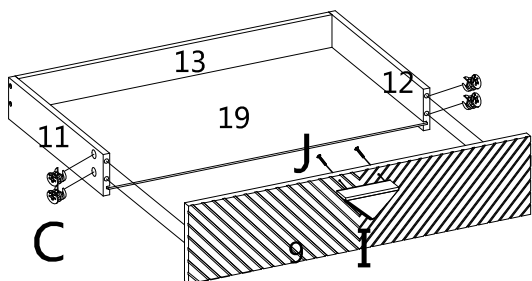





## X3



$B \times 24\text{PCS}$

# STEP 23

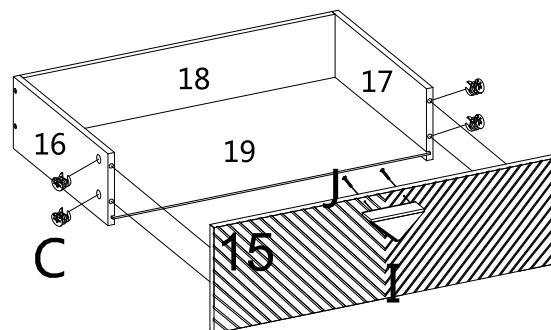
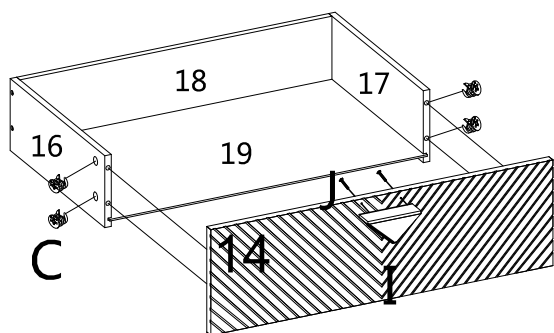





			I × 2PCS
	J × 4PCS		C × 8PCS

# STEP 24

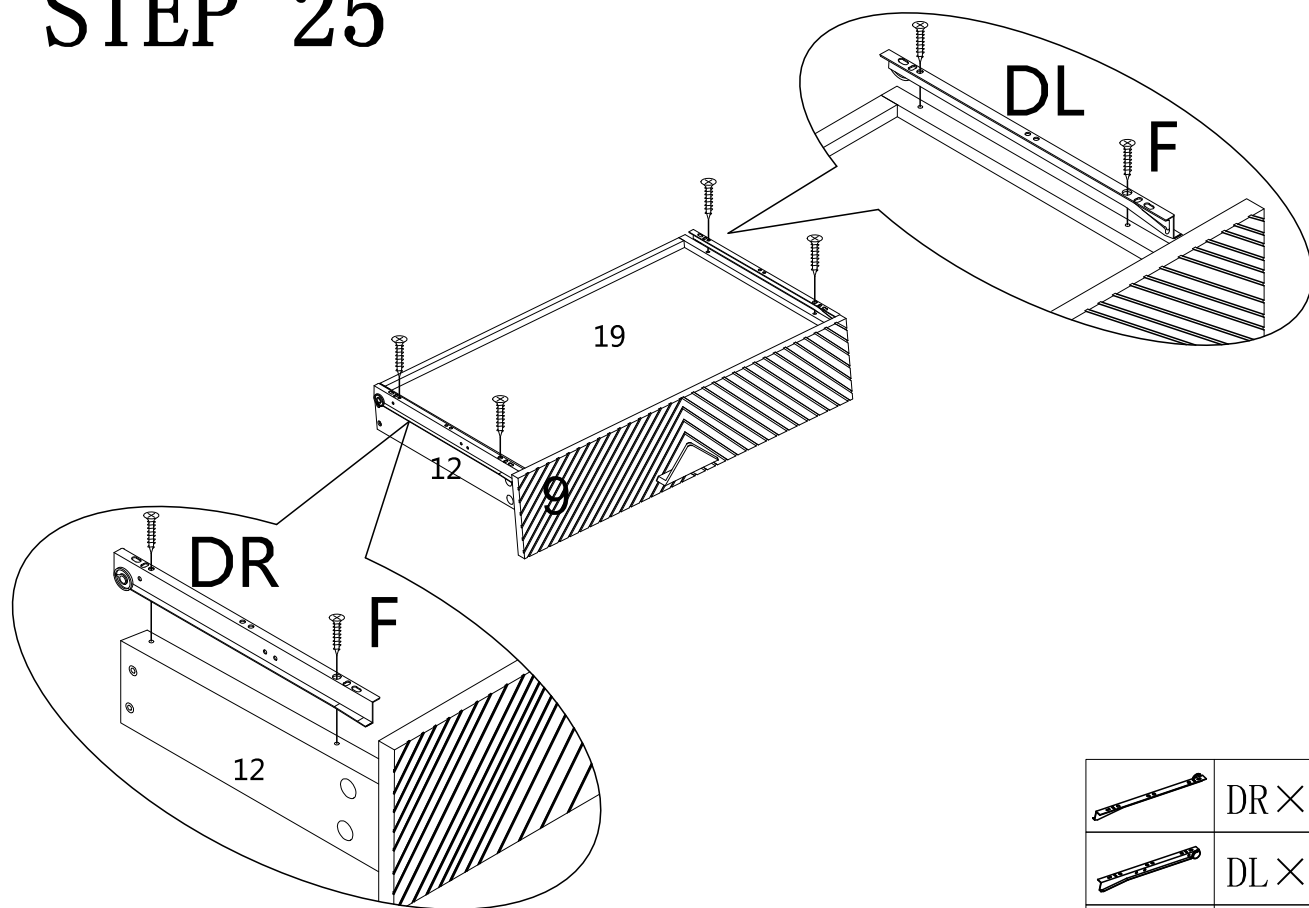
## X3



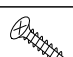
## X3



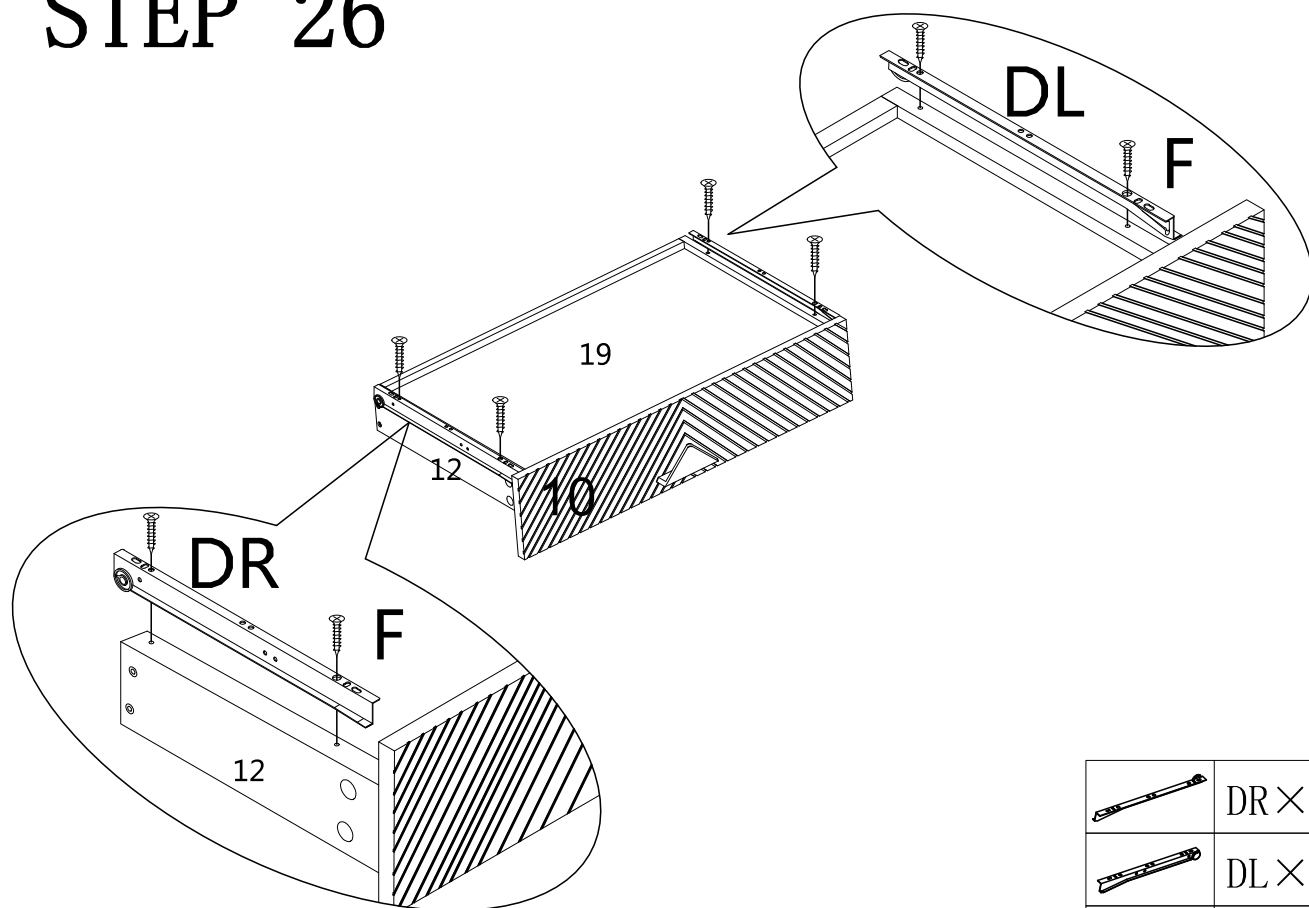
			I × 6PCS
	J × 12PCS		C × 24PCS



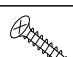
# STEP 25



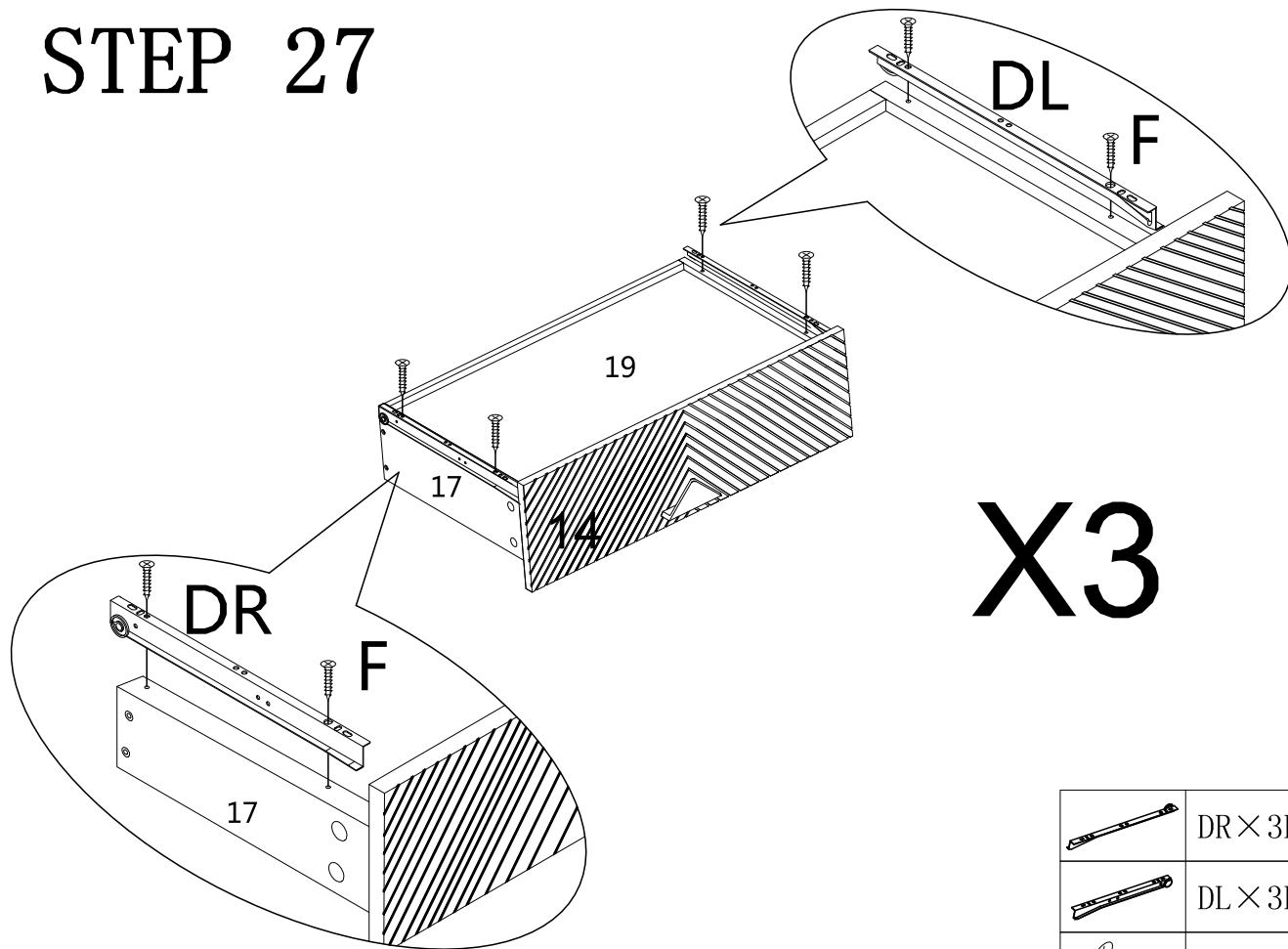
	DR × 1PC
	DL × 1PC
	F × 4PCS

# STEP 26






	DR × 1PC
	DL × 1PC
	F × 4PCS

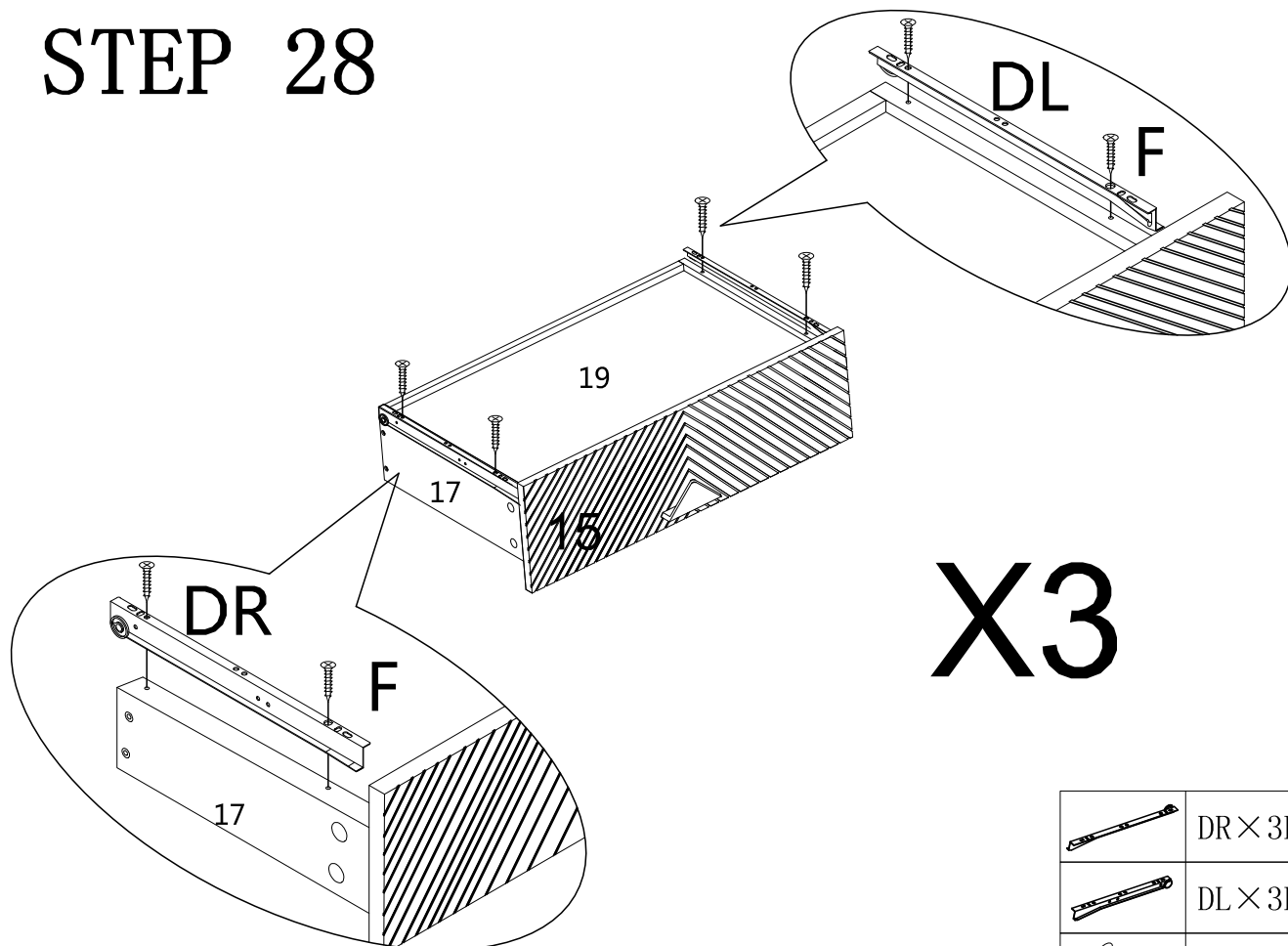
# STEP 27






# X3

	DR × 3PCS
	DL × 3PCS
	F × 12PCS

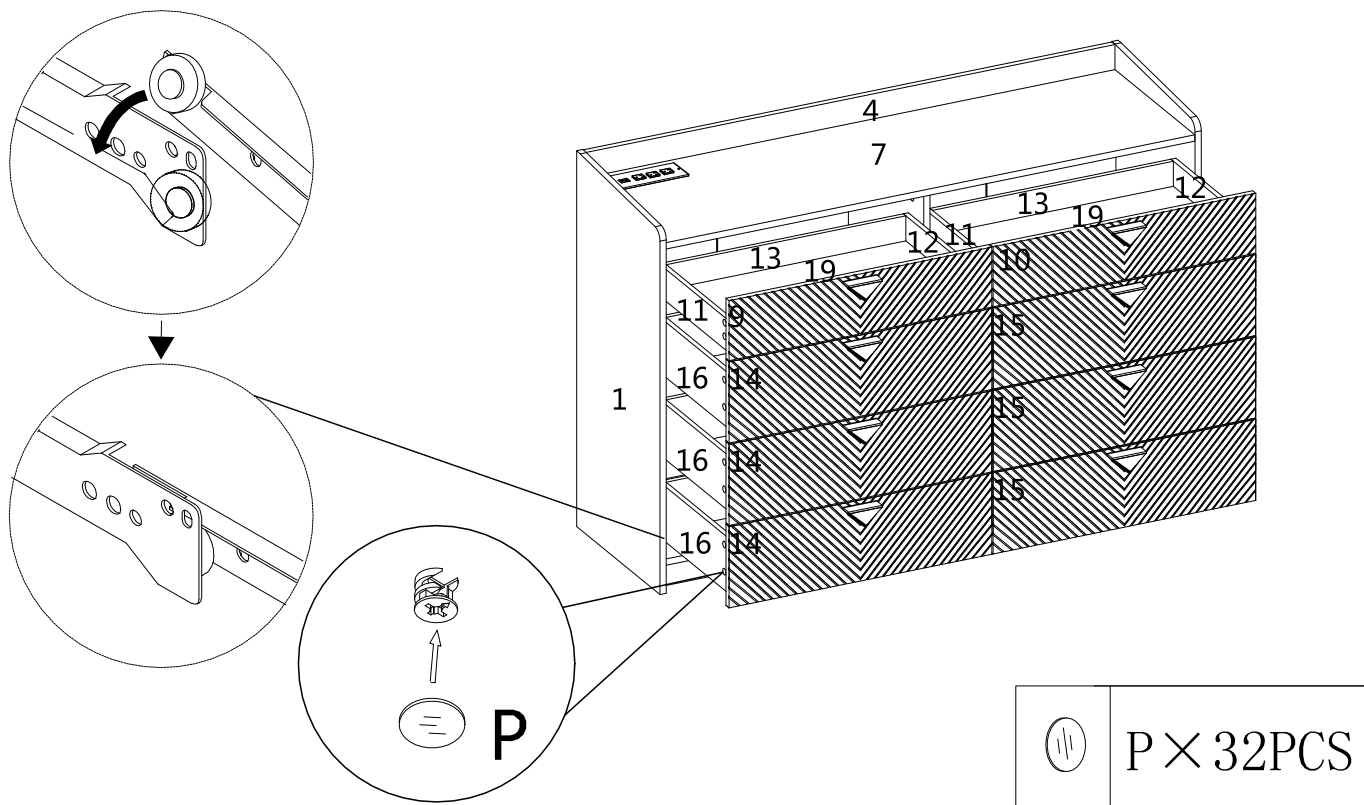
# STEP 28



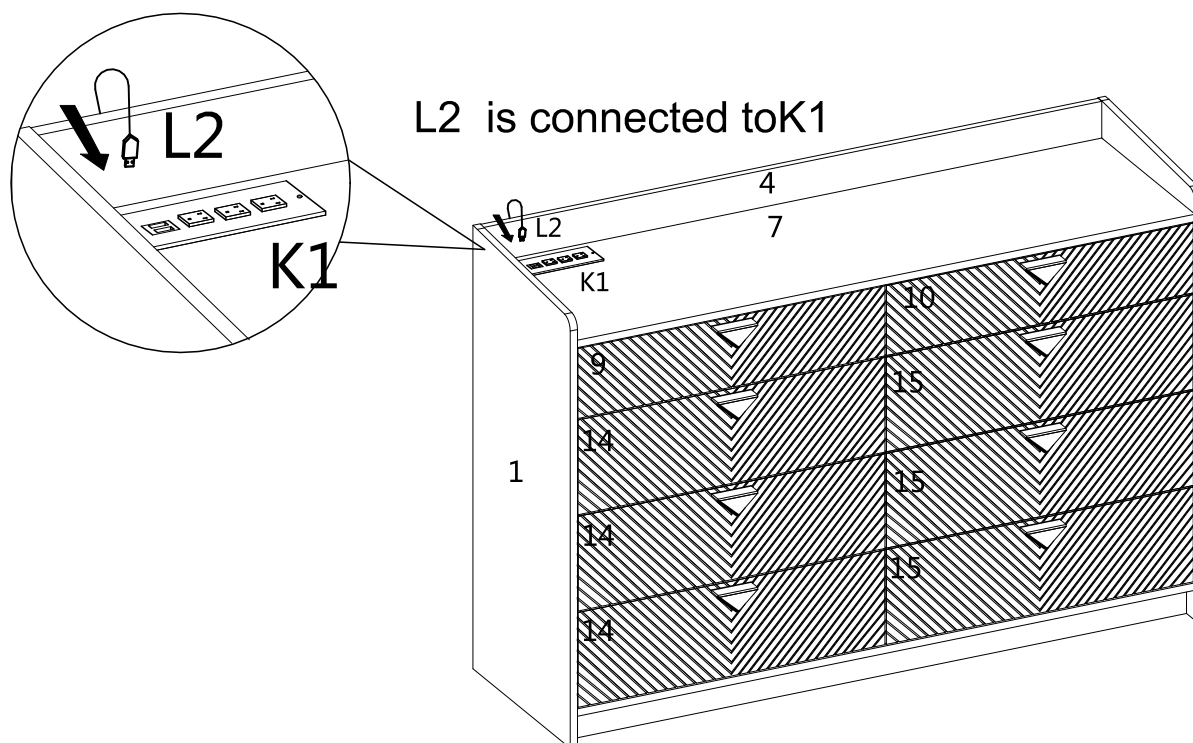
# X3

	DR × 3PCS
	DL × 3PCS
	F × 12PCS

# STEP 29

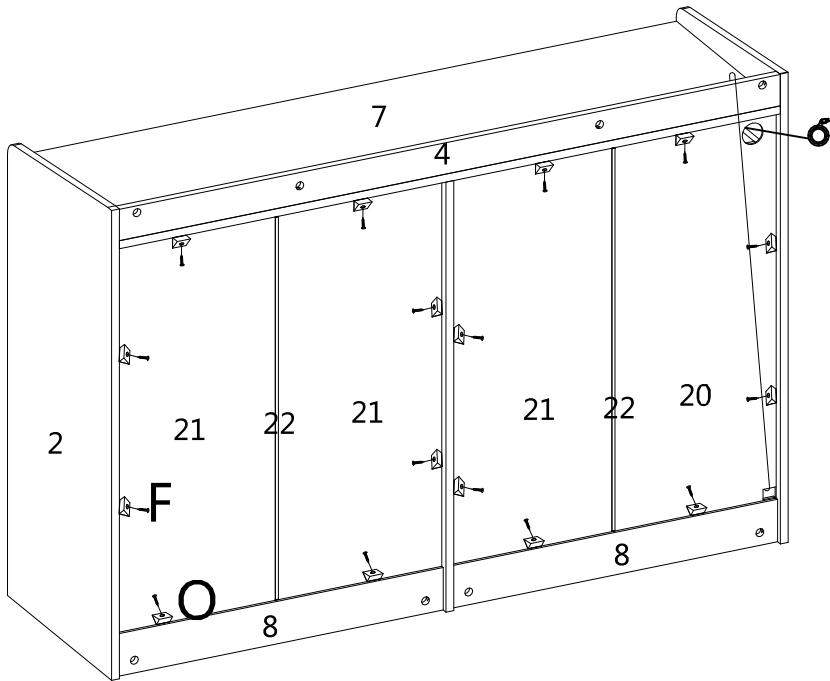


# STEP 30



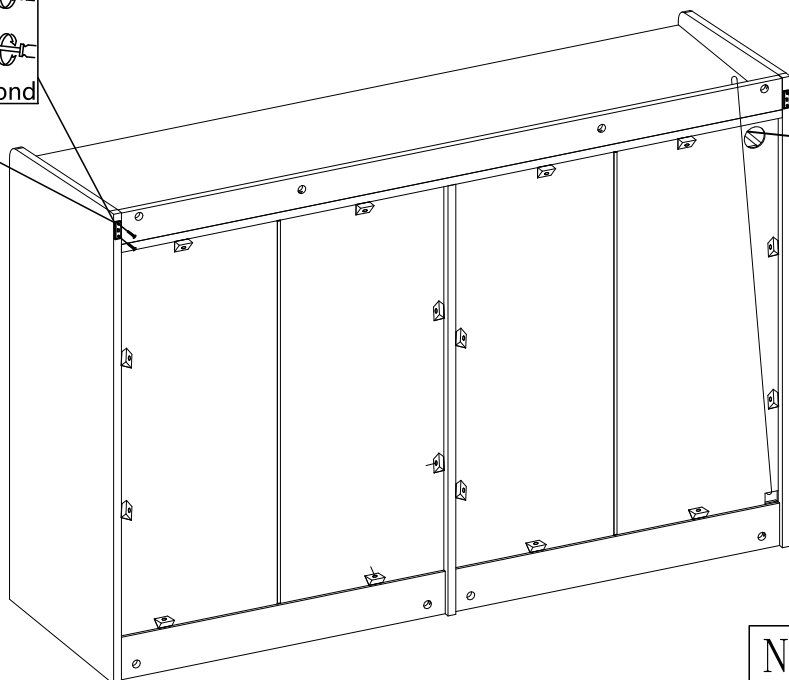
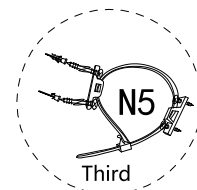
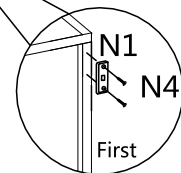
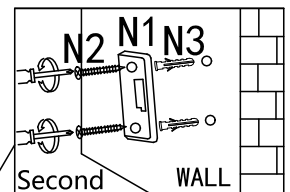
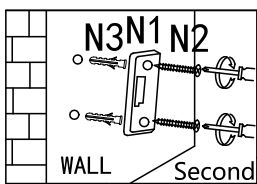
# STEP 31

This step is very important to prevent the product from shaking.



	F × 16PCS
	O × 16PCS

# STEP 32



N X 2PCS	
	N1
	N2
	N3
	N4
	N5