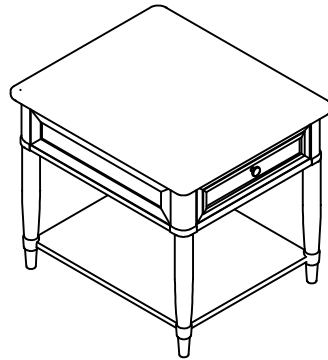


ASSEMBLY INSTRUCTIONS



181-915

TOOLS REQUIRED:

Allen Wrench (Provided, Part D)

BEFORE YOU START:

1. Check the hardwares against the hardware list to make sure all items are present.
2. Assemble your furniture on a soft, flat surface to avoid scratching the finish.
3. **CAUTION:** Do not over tighten screws, nuts or bolts during assembly.
4. Your furniture may require occasional tightening.

INSTRUCTIONS:

1. Turn the table top upside down on a clean soft surface.
2. Screw 4 legs up to the top frame tightly as shown in Figure 1.
3. Attach the bottom panel to the leg and tighten Bolt (A) with Lock Washer (B) and Flat Washer (C) by Allen Wrench (D) as shown in Figure 2.

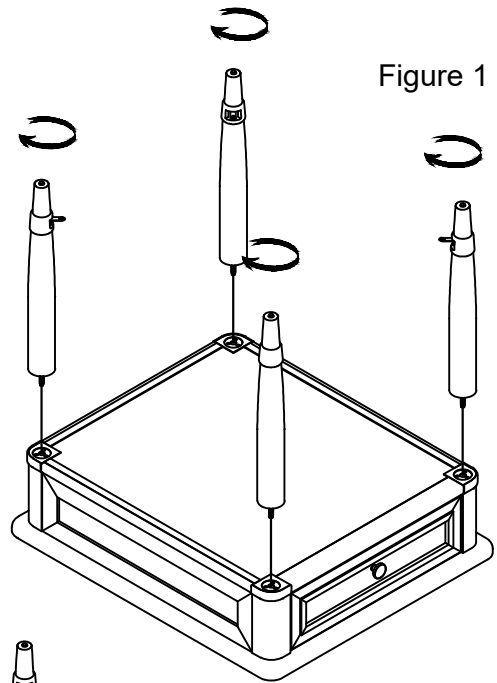
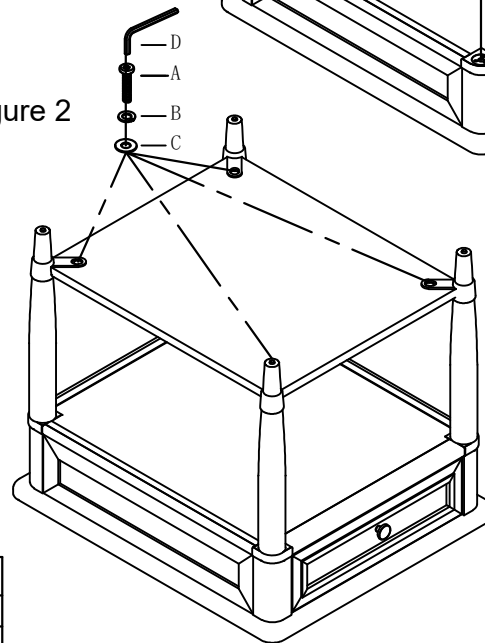






Figure 1

Figure 2



No.	HARDWARE LIST		Q'ty
A		Bolt (Ø1/4"x5/8")	4pcs
B		Lock Washer (Ø1/4")	4pcs
C		Flat Washer (Ø1/4"*16*1.5mm)	4pcs
D		Allen Wrench (100*50*4mm)	1pc