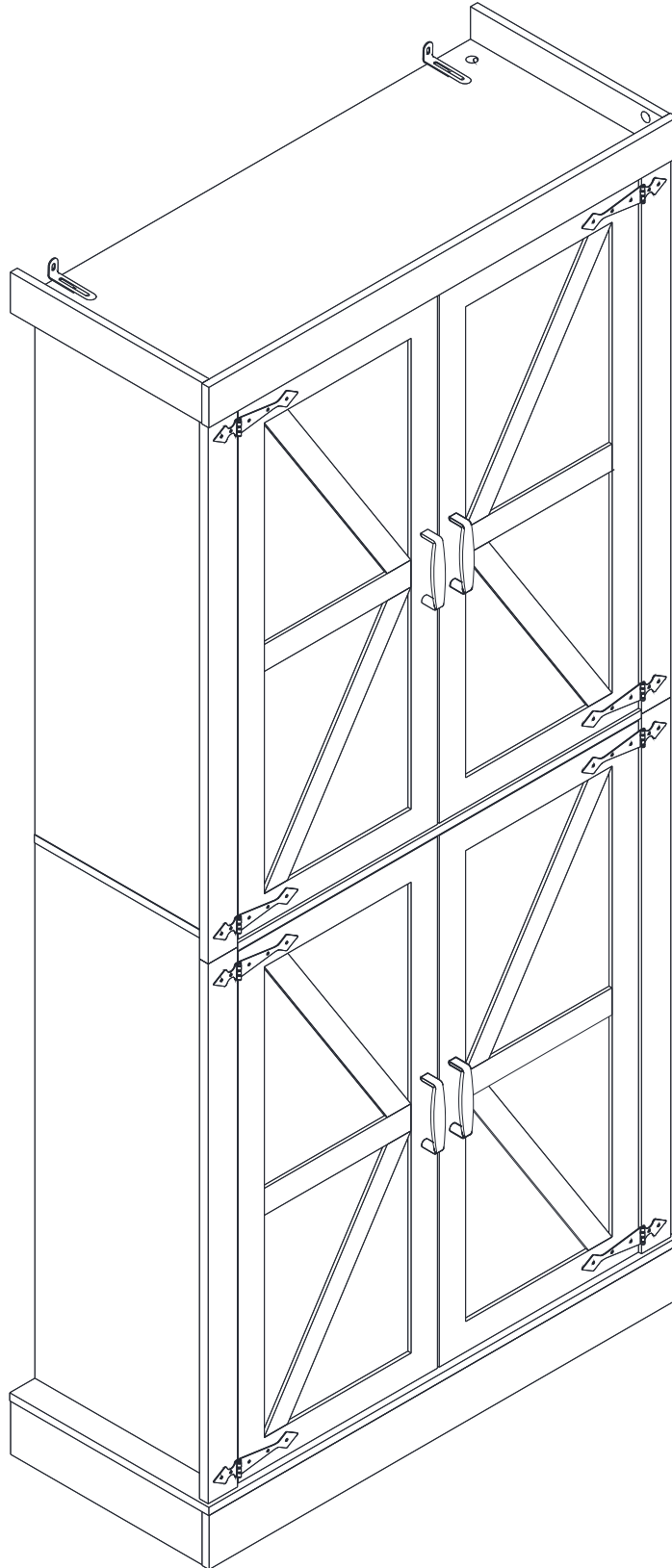


Assembly Instruction



WARNING!!

Furniture Tipping Risk.

Serious risk of severe or fatal crush injuries can occur from furniture tipping over if not secured.

Please look in the brown box for hardware packs and legs. Sets often ship in multiple boxes and may arrive a day or two apart.

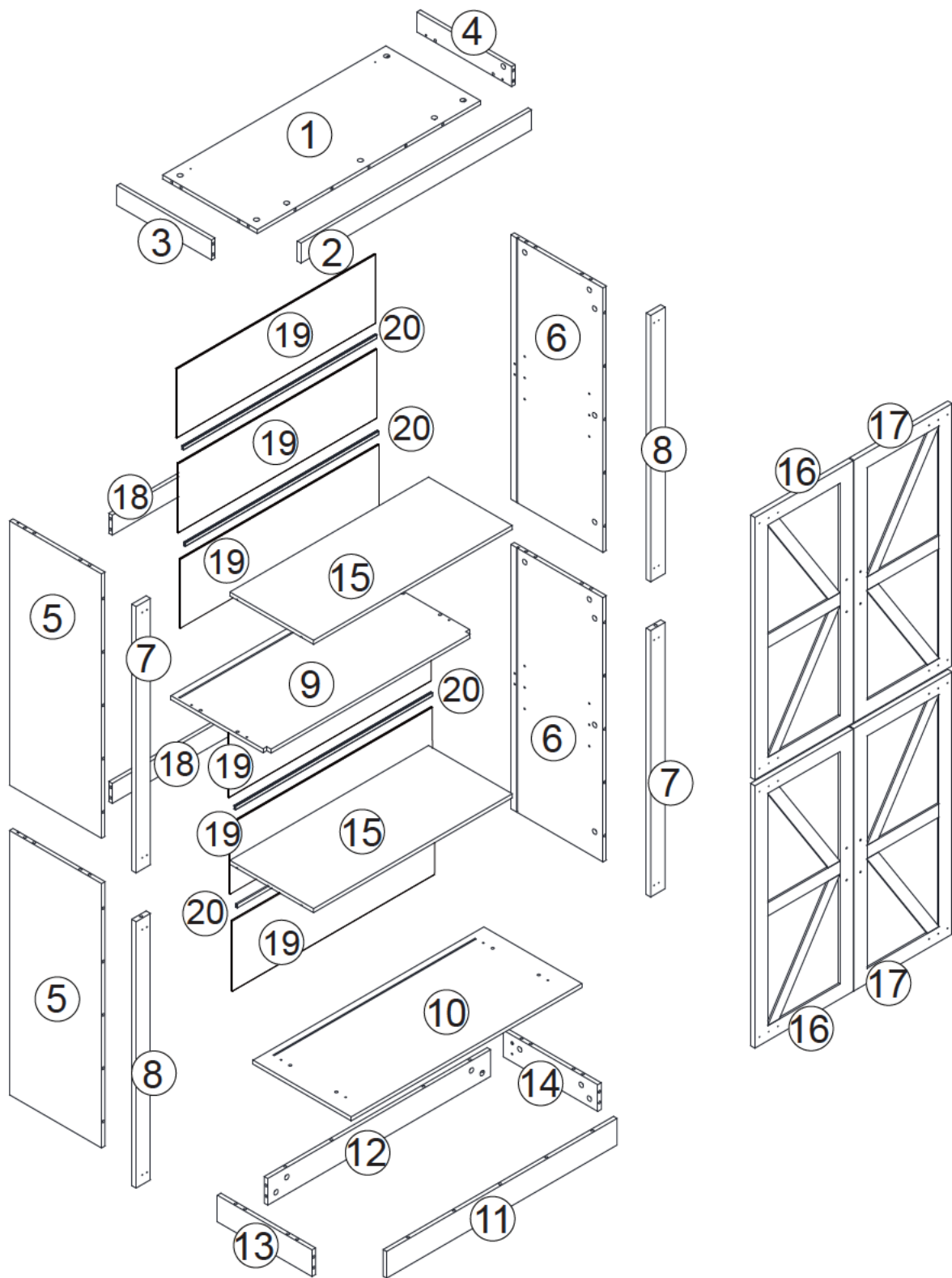
Children like to climb on furniture and Unsecured furniture can pose a serious danger.
















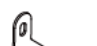



Please follow all instructions and install the tip-over restraints provided

In addition to installing the restraints, to help prevent tip-over:

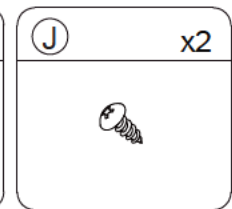
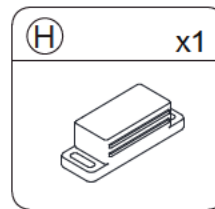
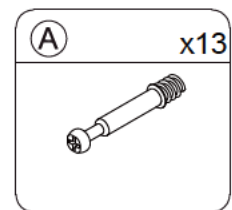
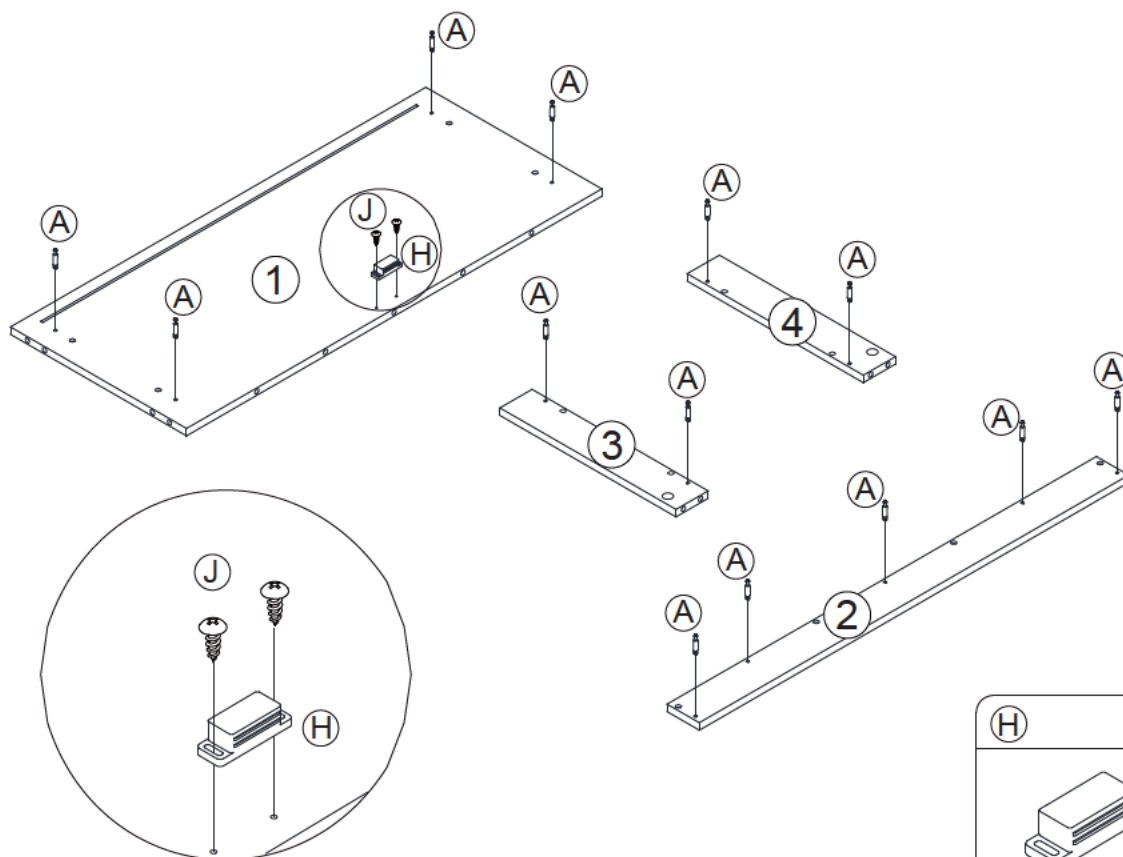
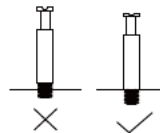
1. Place heaviest items on the lowest shelves,
2. Unless specifically designed to accommodate, do not set TV's or other heavy objects on top of this product,
3. Never allow children to climb or hang on sides or shelves,
4. Do not assemble on a rough or uneven surface.

⚠ WARNING	
	<p>Children have died from furniture tipover. To reduce the risk of furniture tipover:</p> <ul style="list-style-type: none">• ALWAYS install tipover restraint provided.• NEVER put a TV on this product.• NEVER allow children to stand, climb or hang on drawers, doors, or shelves.• NEVER open more than one drawer at a time.• Place heaviest items in the lowest drawers.• Do not defeat or remove the drawer interlock system.
	<p><i>This is a permanent label. Do not remove!</i></p>

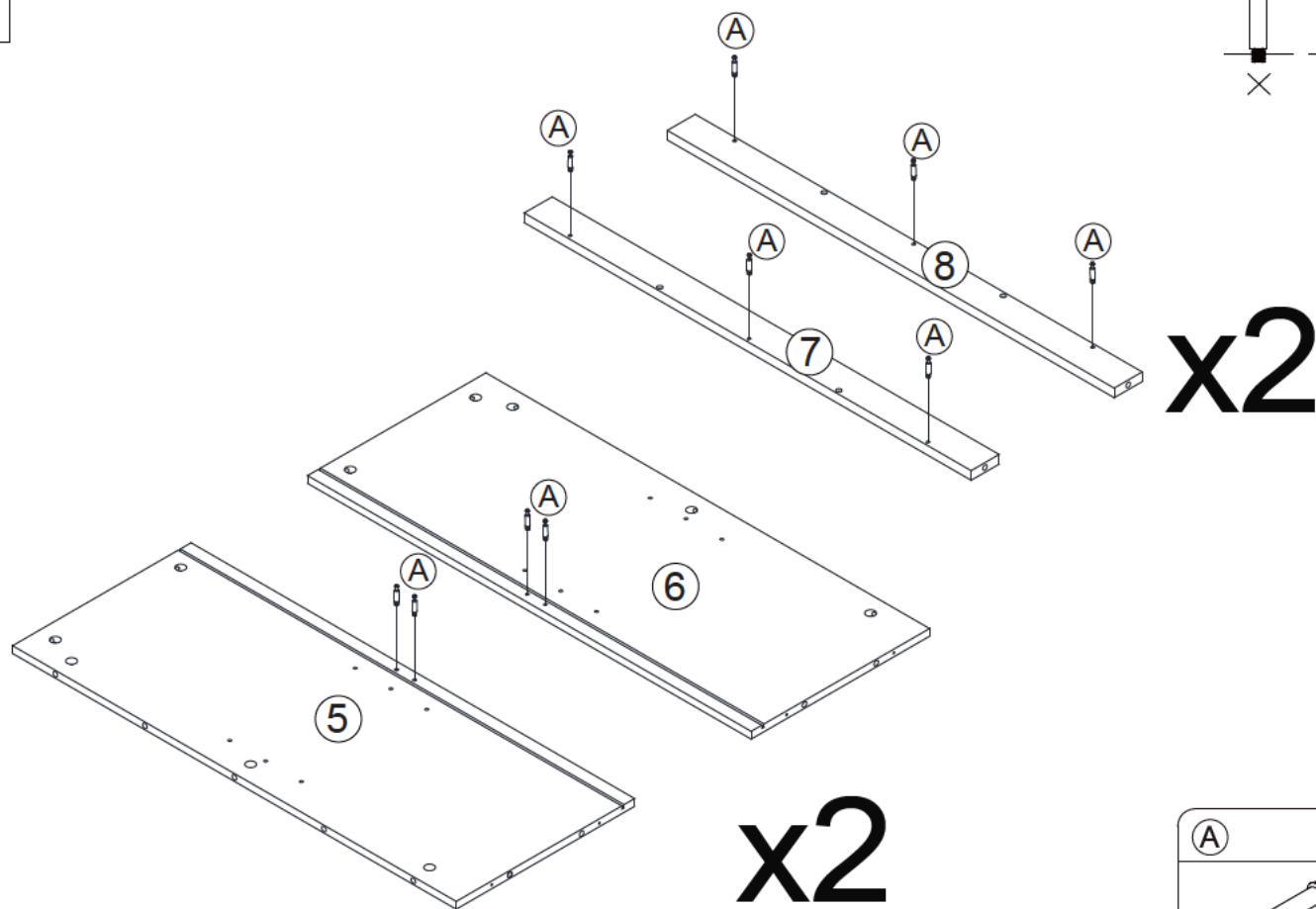
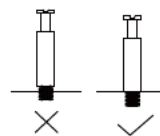


A x50+2  M6x35mm	B x50+2  Ø15x9mm	C x44+2  Ø6x30mm	D x2  Ø6x40mm	E x8+1  M3x12mm	F x8  M3x12mm	G x40+4  M3x12mm	H x2  M3x12mm	I x4  M3x12mm
J x4  M3x14mm	K x4  M3x12mm	L x4  M3x12mm	M x8  M3x12mm	N x16+1  M3x14mm	O x16+1  M3x14mm	P x2  M4x10mm	Q x2  M4x10mm	R x10+1  M4x35mm
S x2  M3x12mm								

1

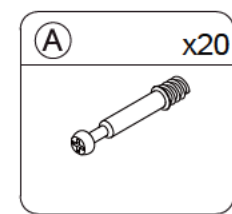


2

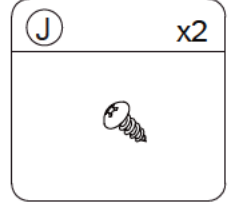
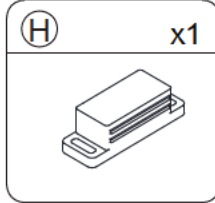
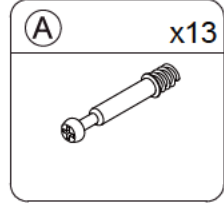
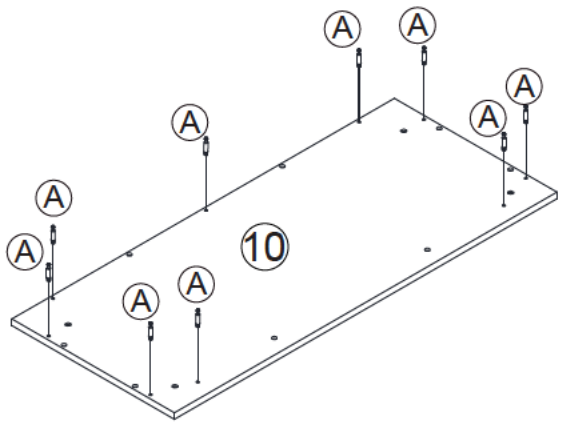
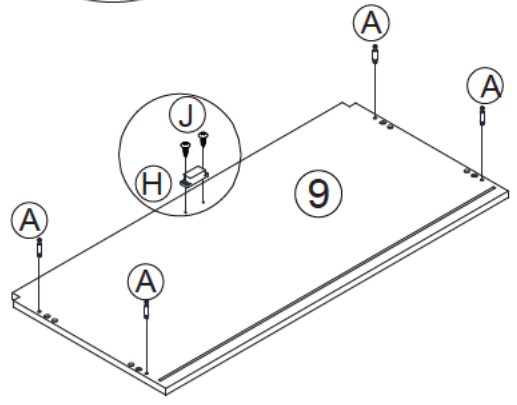
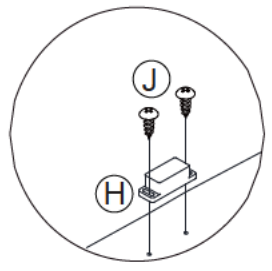
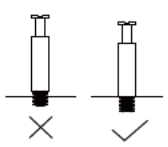


x2

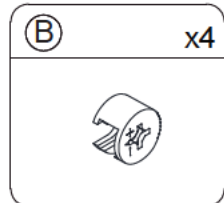
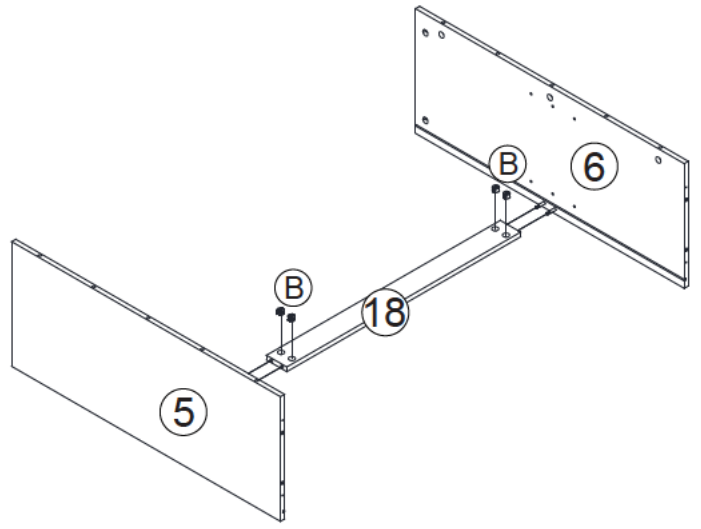
x2



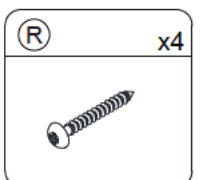
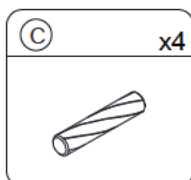
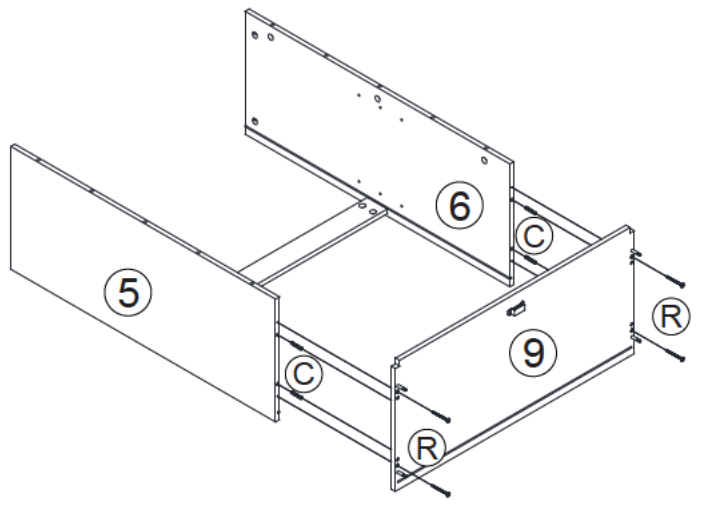
3



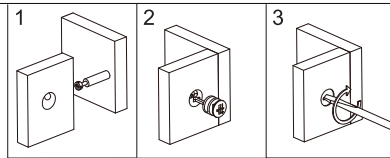
4



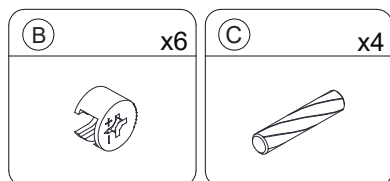
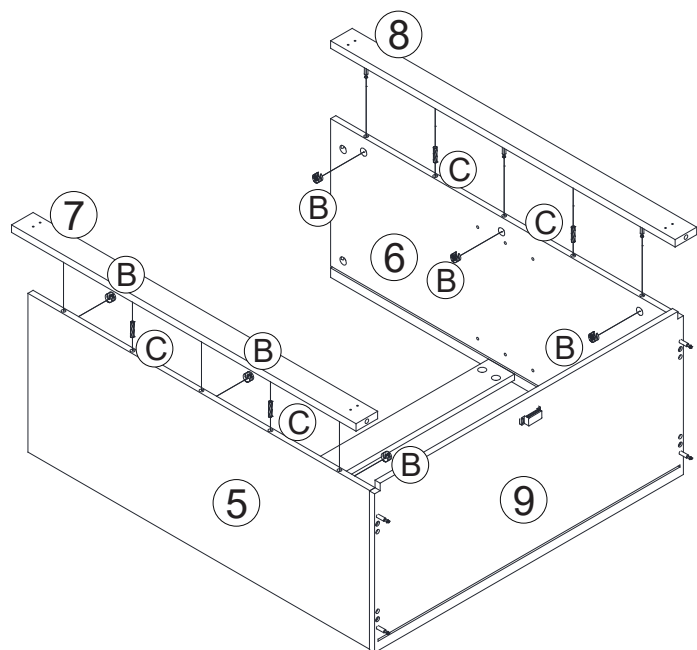
5



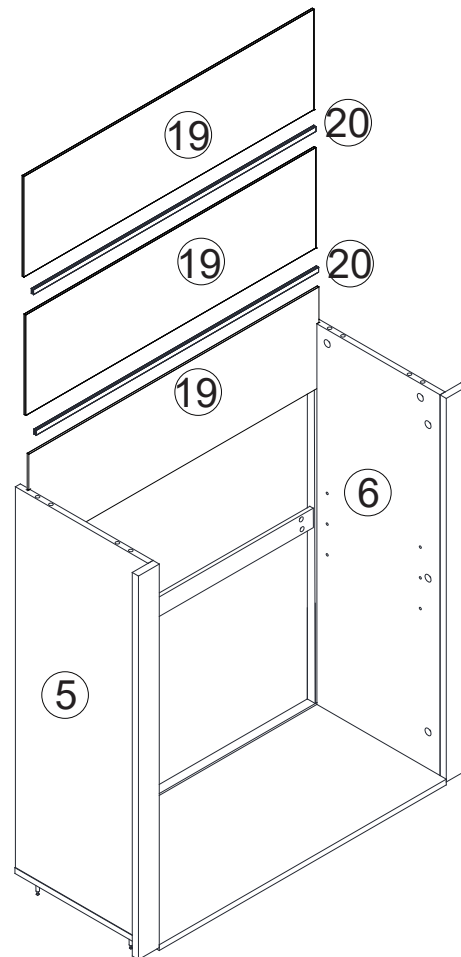
6



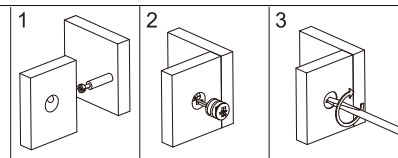
Cam Lock Fastening System



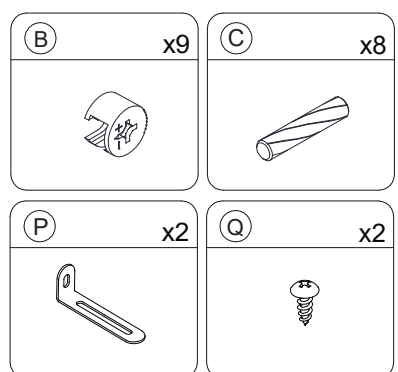
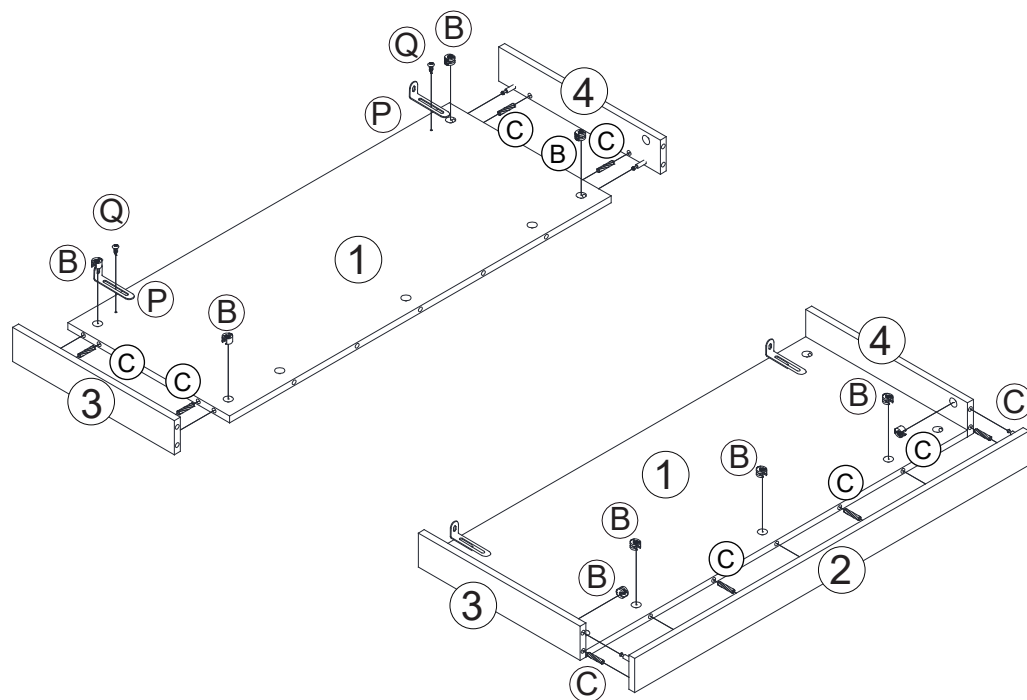
7



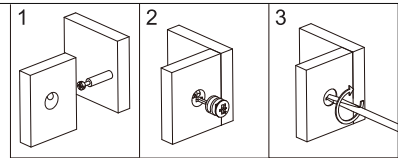
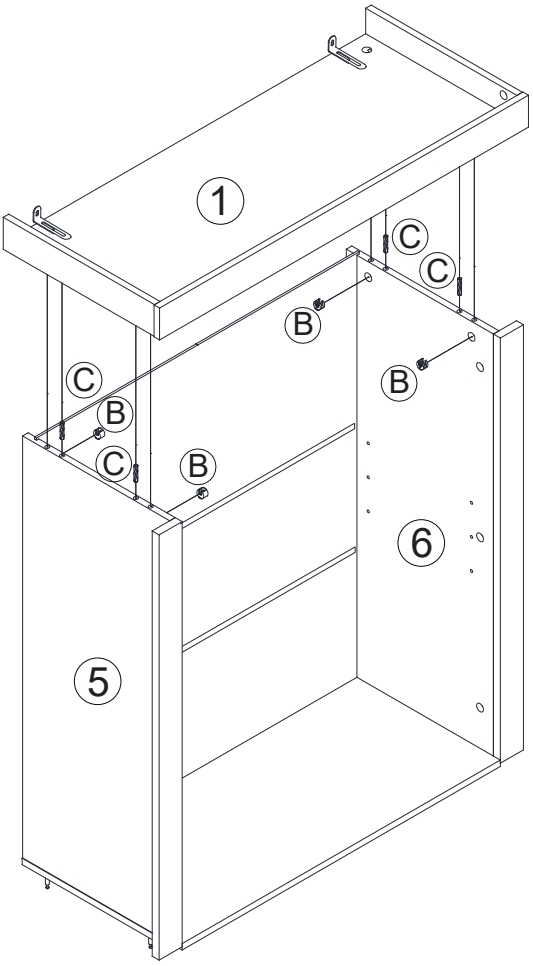
8



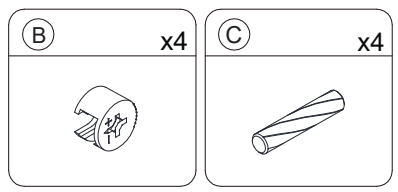
Cam Lock Fastening System



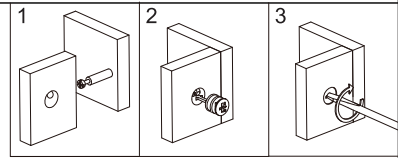
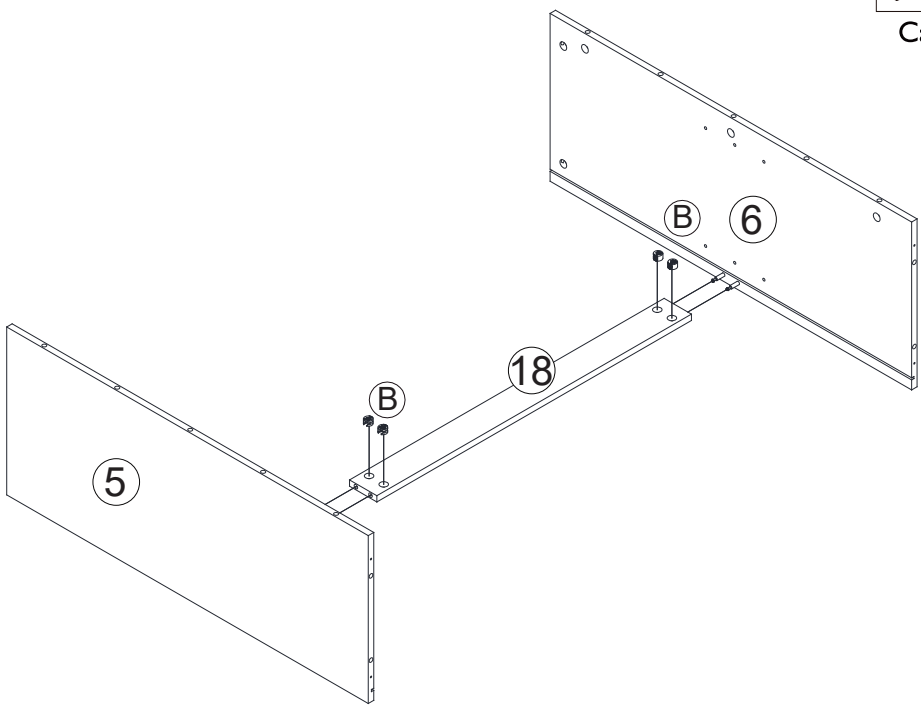
9



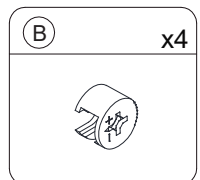
Cam Lock Fastening System



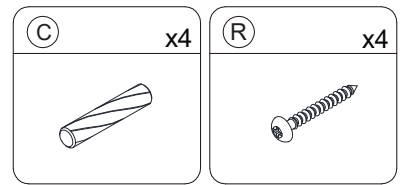
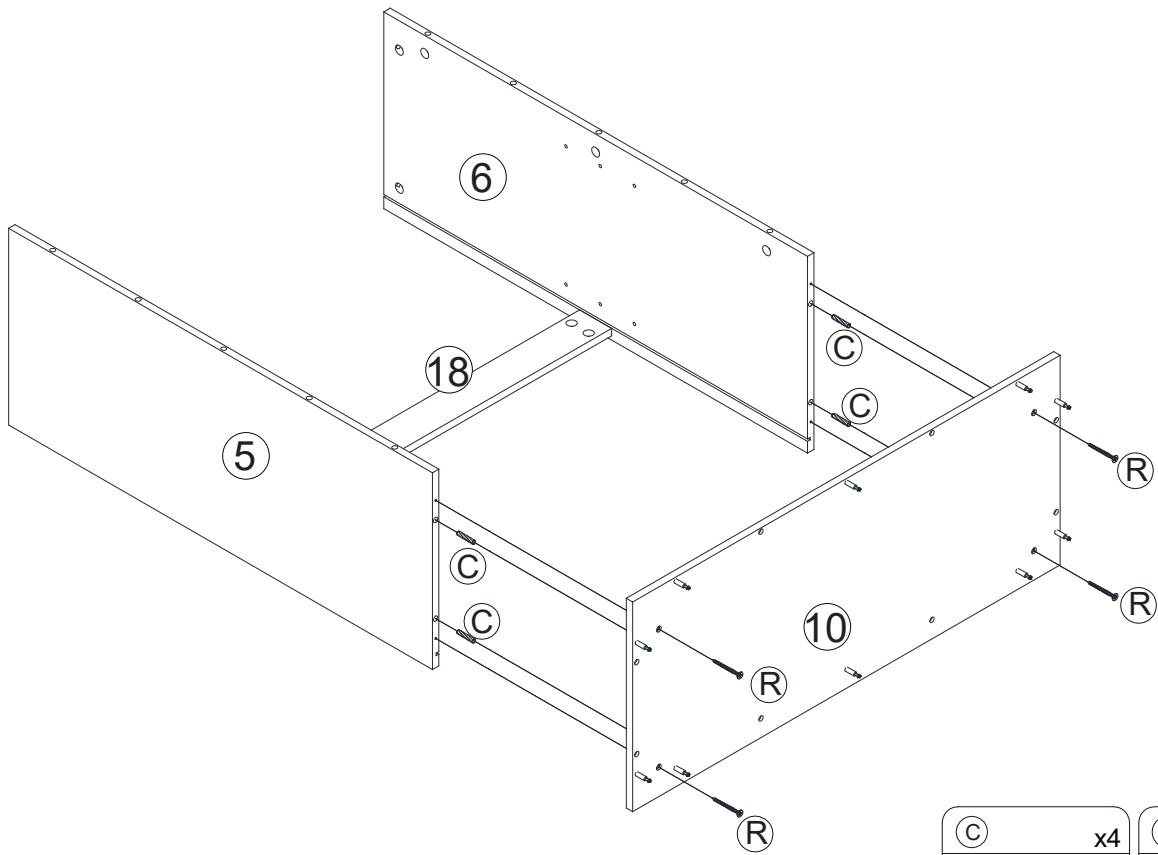
10



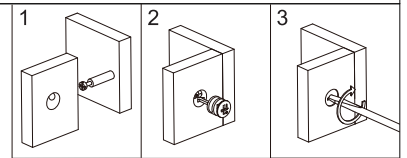
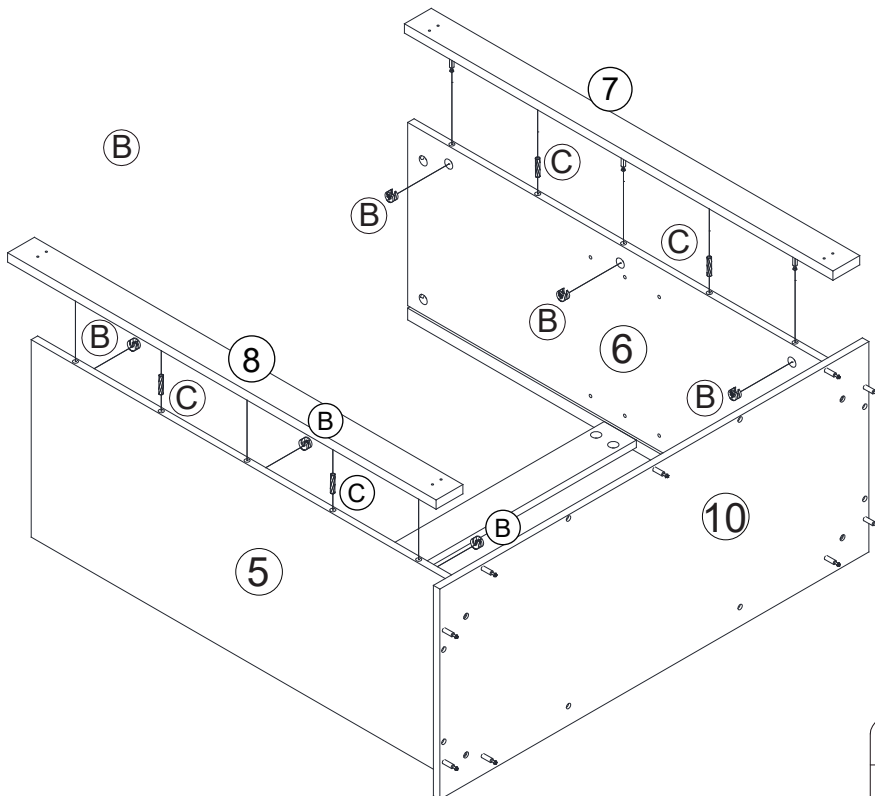
Cam Lock Fastening System



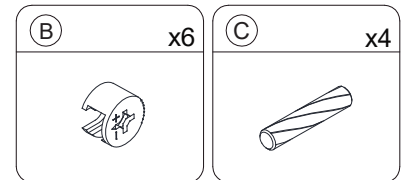
11



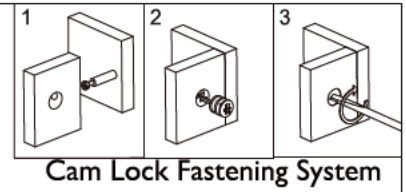
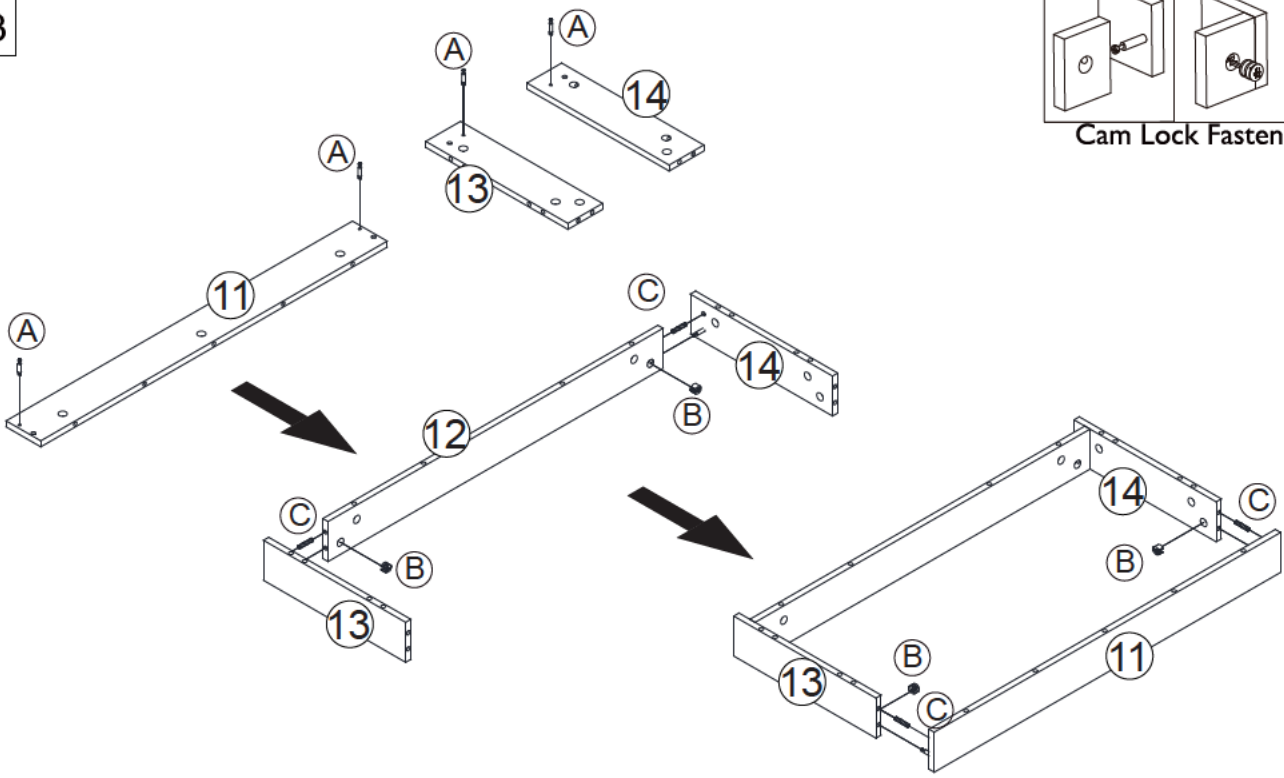
12



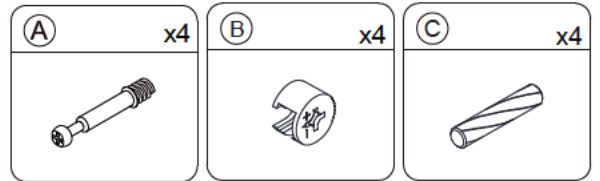
Cam Lock Fastening System



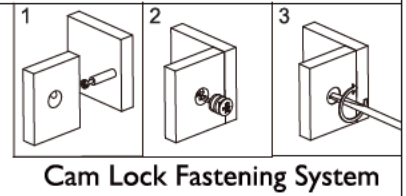
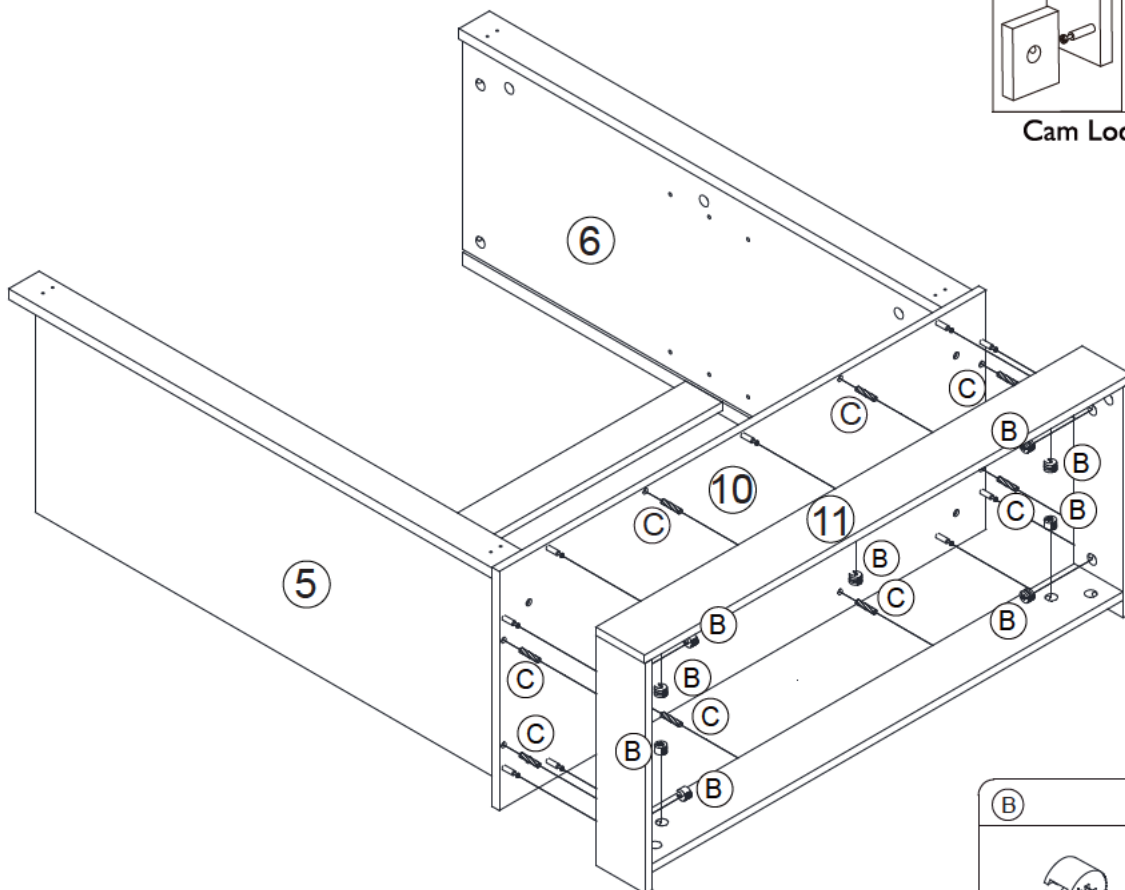
13



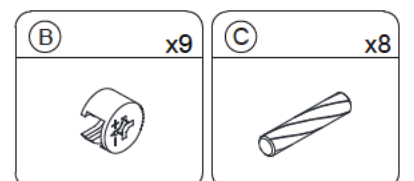
Cam Lock Fastening System



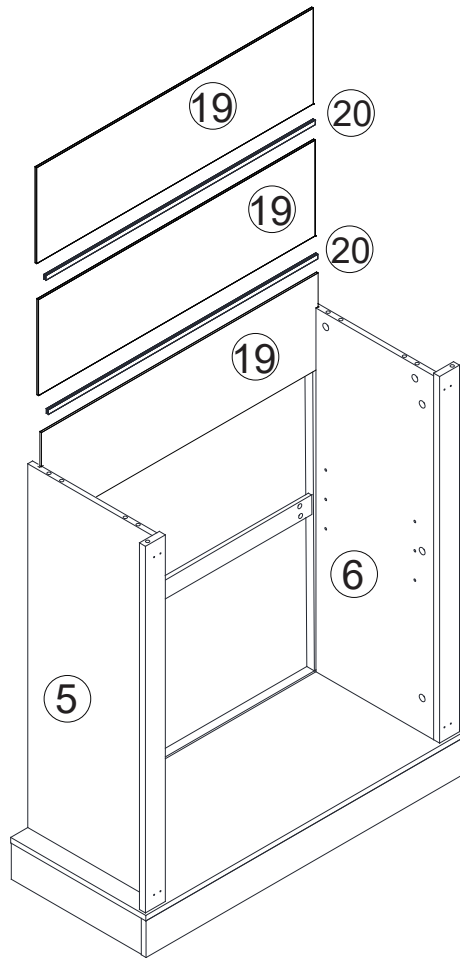
14



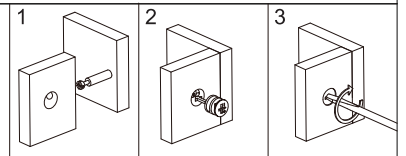
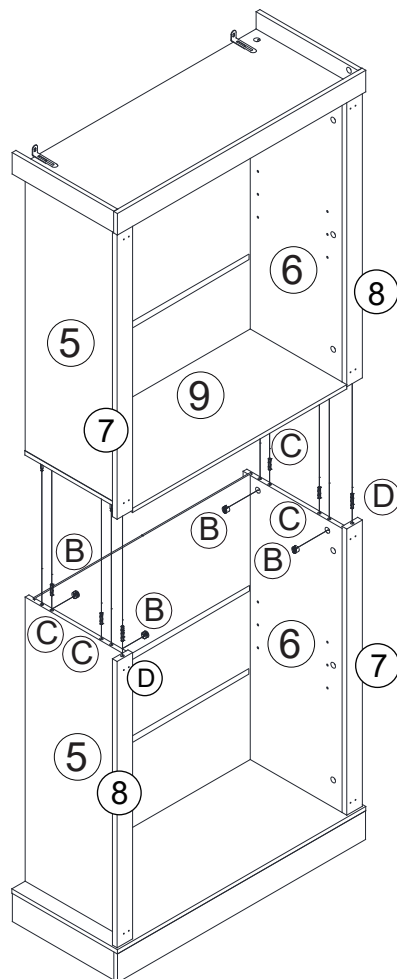
Cam Lock Fastening System



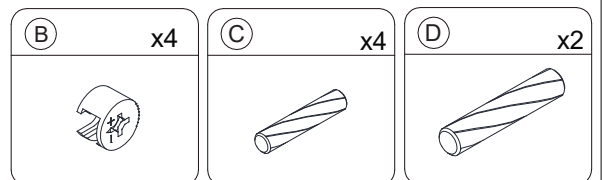
15



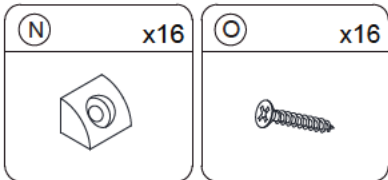
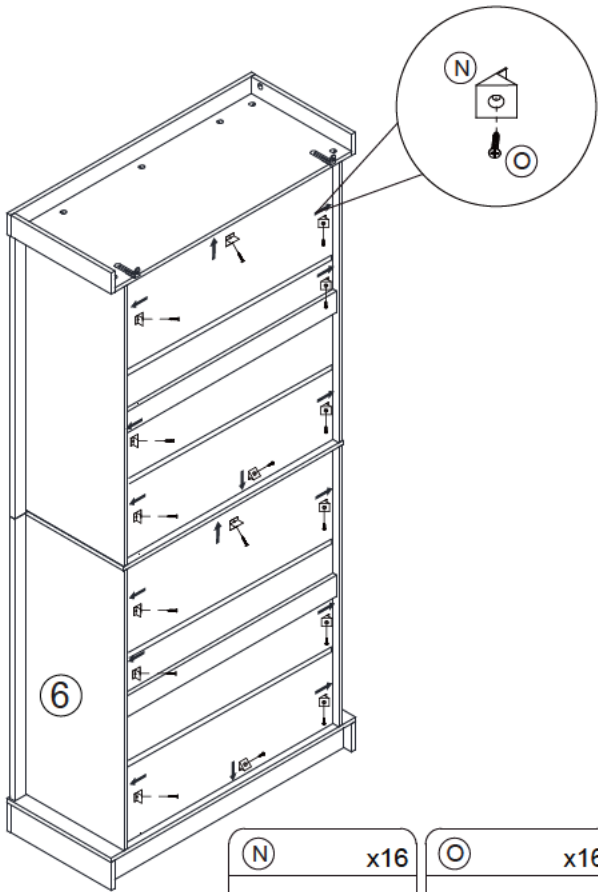
16



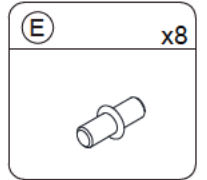
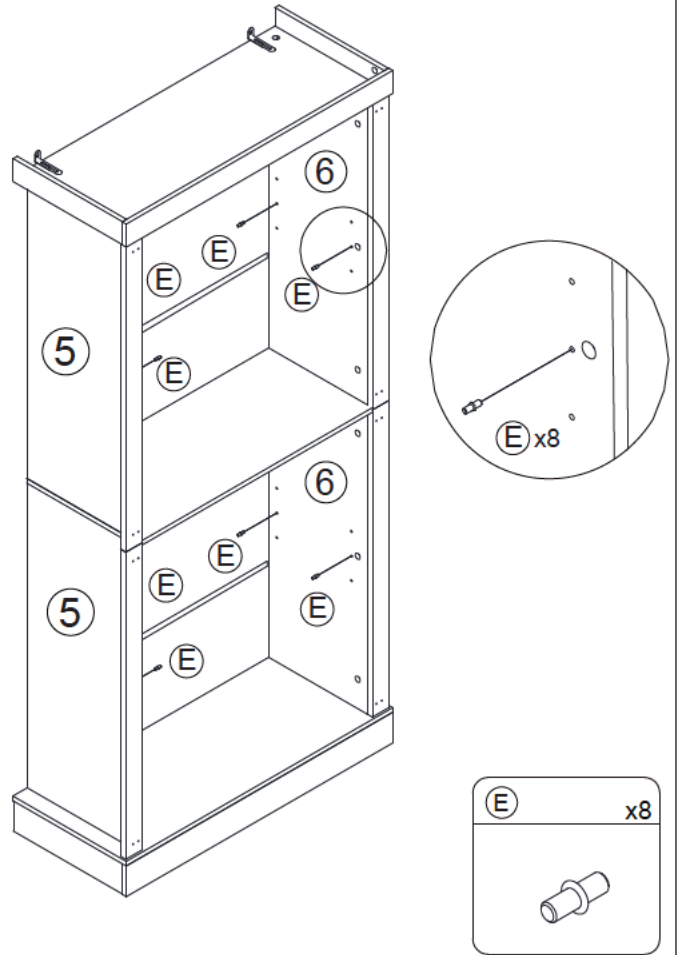
Cam Lock Fastening System



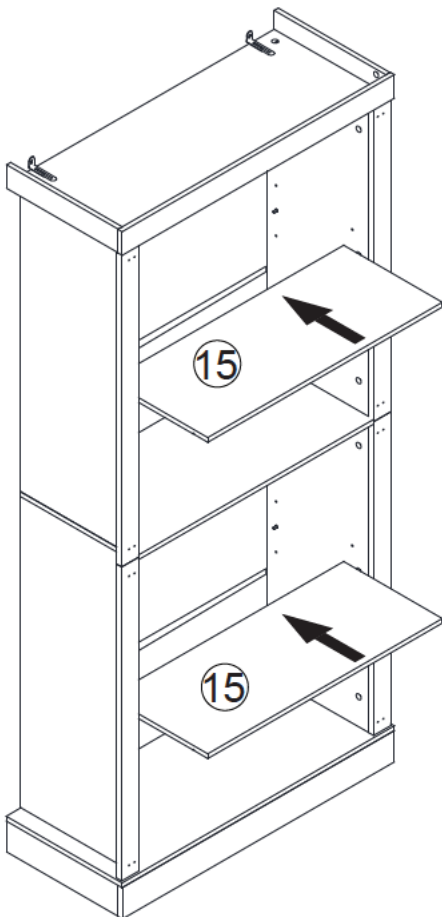
17



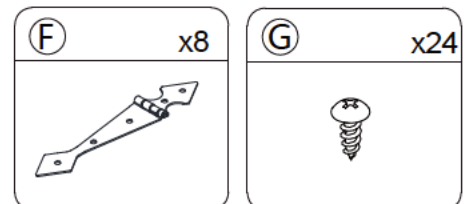
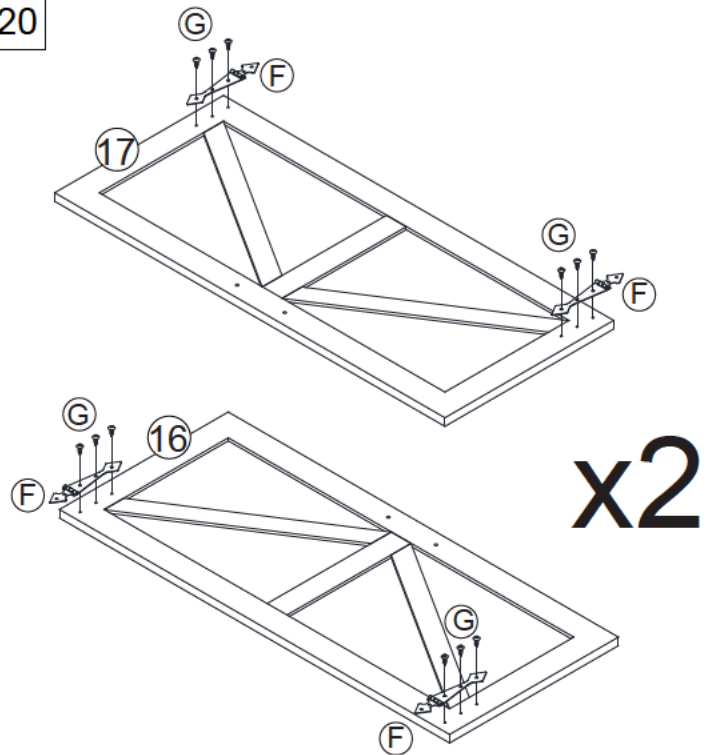
18



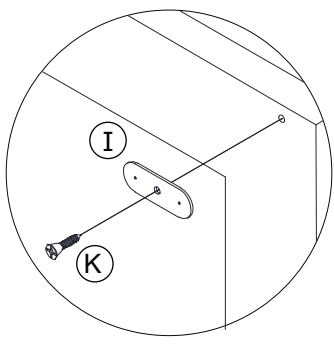
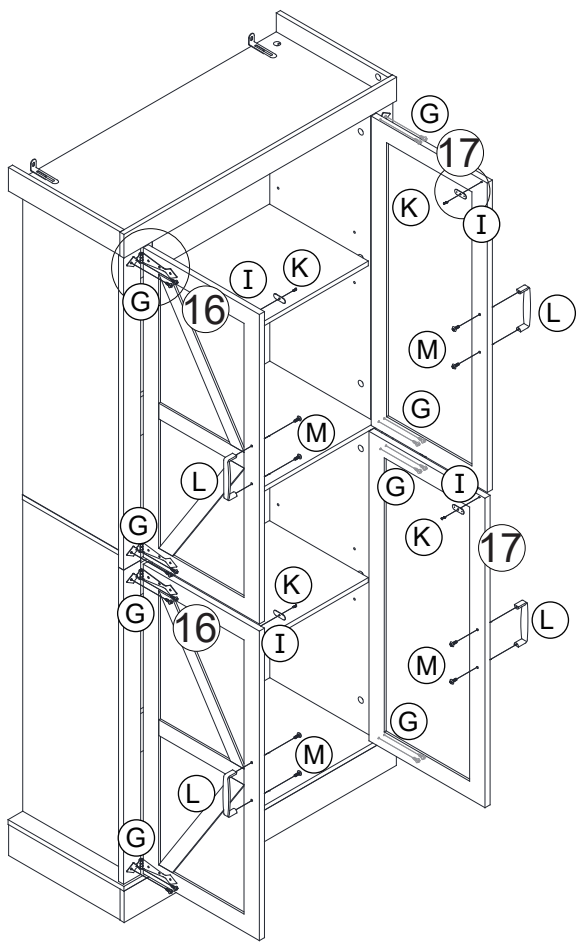
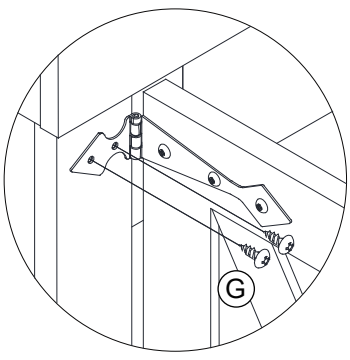
19



20

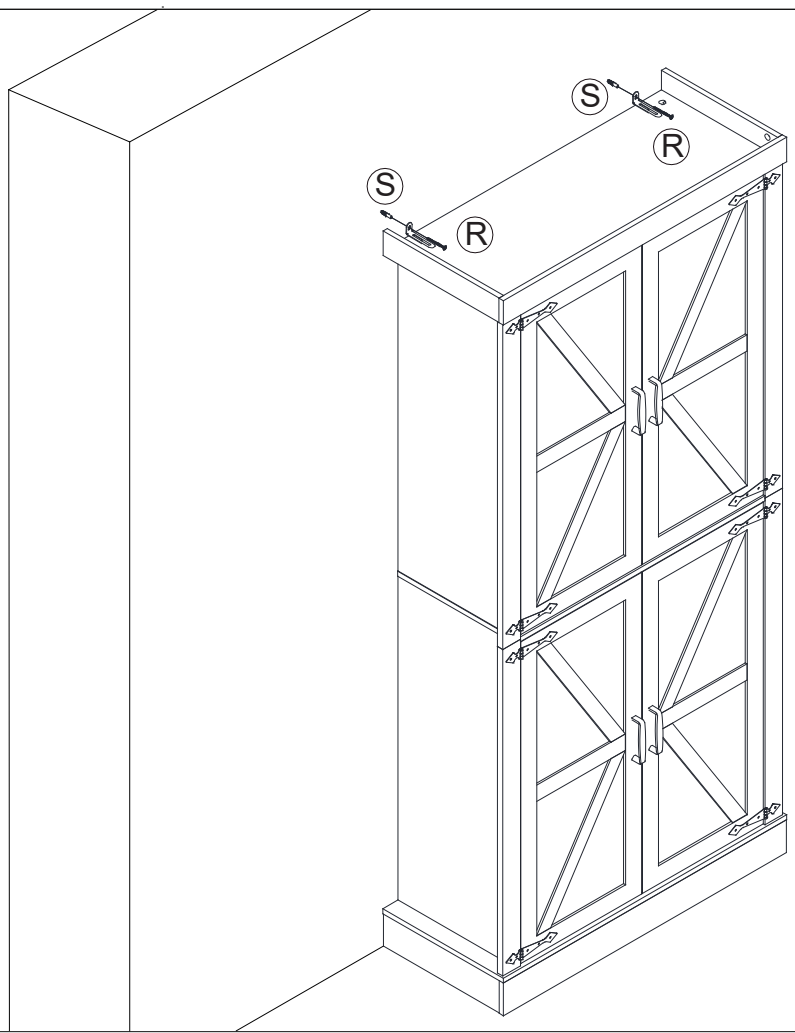


21



- | | |
|---|-----|
| G | x16 |
| | |
| I | x4 |
| | |
| K | x4 |
| | |
| L | x4 |
| | |
| M | x8 |
| | |

22



- | | |
|---|----|
| R | x2 |
| | |
| S | x2 |
| | |