

Ok, let's get rolling

This should be easy, just follow our instructions and you will be back to Netflix in no time.

Estimated time for assembly



60:00

What you need

- Some of your favourite bubbly or your preferred relaxant
- Use the packaging carton as a working surface to prevent product damage during assembly
- Phillips head screwdriver

Do not use a drill



Weight Limitation



66
lbs

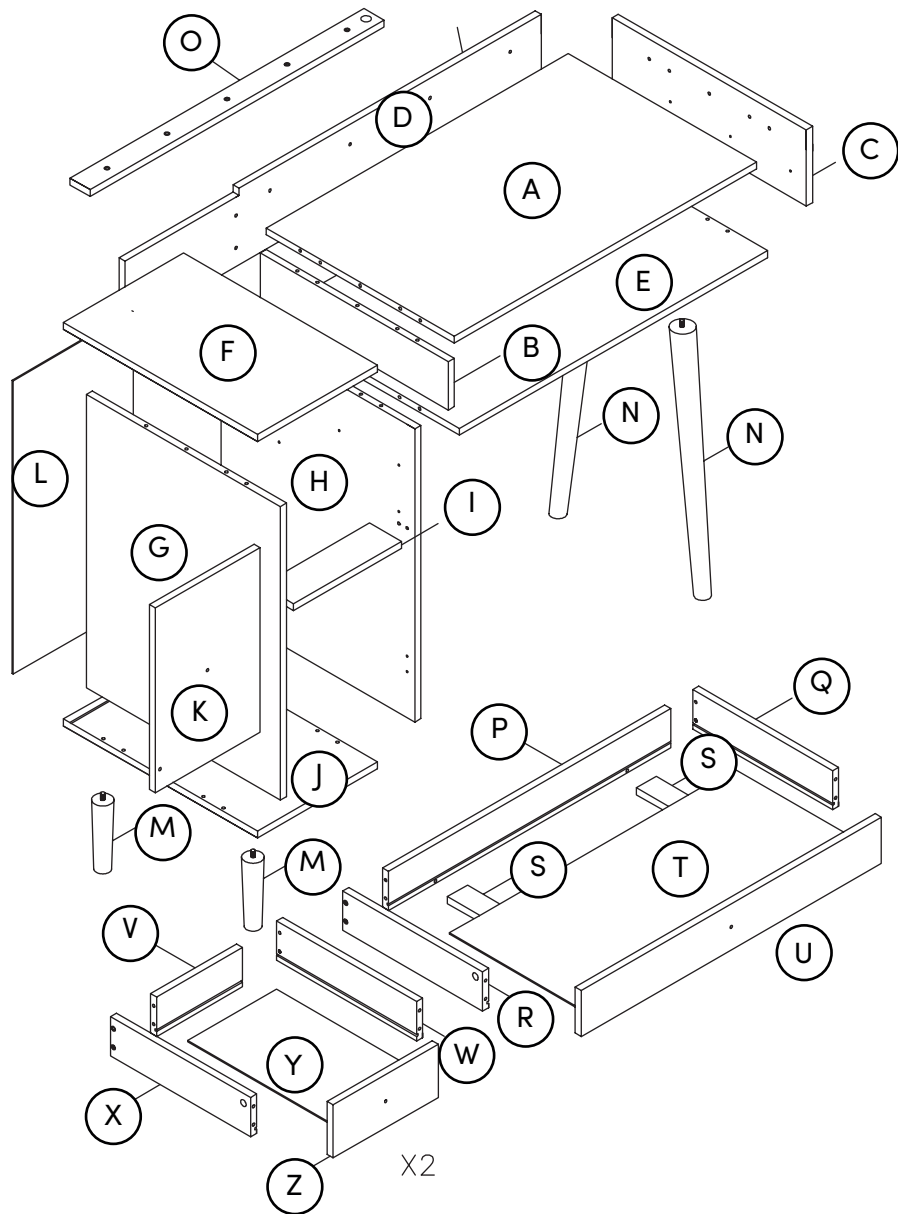
What's included

Description	Qty
A Table Top	1
B Middle Support Panel	1
C Right Side Panel	1
D Back Panel	1
E Bottom Back Panel	1
F Top Panel	1
G Left Side Panel	1
H Particle Panel	1
I Cross Bar	1
J Bottom Panel	1
K Door Panel	1
L Left Back Panel	1

What's included (continued)

	Description	Qty
M	Left Leg	2
N	Right Leg	2
O	Support Crossbar	1
P	Big Drawer Back	1
Q	Big Drawer Right Side Panel	1
R	Big Drawer Left Side Panel	1
S	Drawer Support Panel	2
T	Big Drawer Bottom	1
U	Big Drawer Front	1
V	Small Drawer Back	2
W	Small Drawer Right Side Panel	2
X	Small Drawer Left Side Panel	2
Y	Small Drawer Bottom	2
Z	Small Drawer Front	2

The goods



IMPORTANT

1. Do not tighten bolts / screws completely until all bolts / screws are lined up and inserted into holes.
2. Do not over tighten screws and bolts to avoid stripping.
3. Please use hand tools to assemble this product. Do not use power tools.

What's included

Description	Qty	Description	Qty
1 M5X35 MM cam bolt	24	15 Right side drawer slider (DR)	3
2 Cam Lock	24	16 Anti-Tip Bracket	2
3 M6*30 MM wooden dowel	28	17 M4*12 MM screw	2
4 M4*35 MM screw	44	18 Wall anchor	2
5 M4*20 MM screw	5	19 Magnetic piece	1
6 3.5*12 MM screw	36	20 Door Catch Plate	1
7 M4*16 MM bolt	4	21 M3*14 MM screw	2
8 Handle	4	22 M3*12 MM screw	1
9 Eva pad	4		
10 Hinger	2		
11 M4*14 MM screw	8		
12 Left side panel slider (CL)	3		
13 Left side drawer slider (DL)	3		
14 Right side panel slider (CR)	3		

The goods

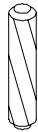
1



2



3



4



5



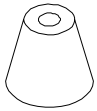
6



7



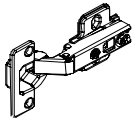
8



9



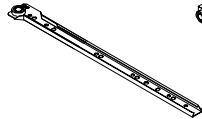
10



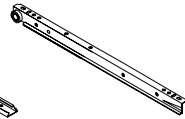
11



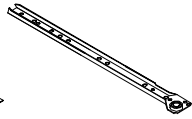
12 (CL)



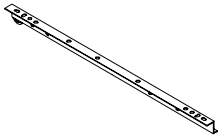
13 (DR)



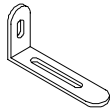
14 (CR)



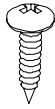
15 (DL)



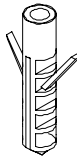
16



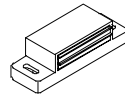
17



18



19



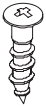
20



21

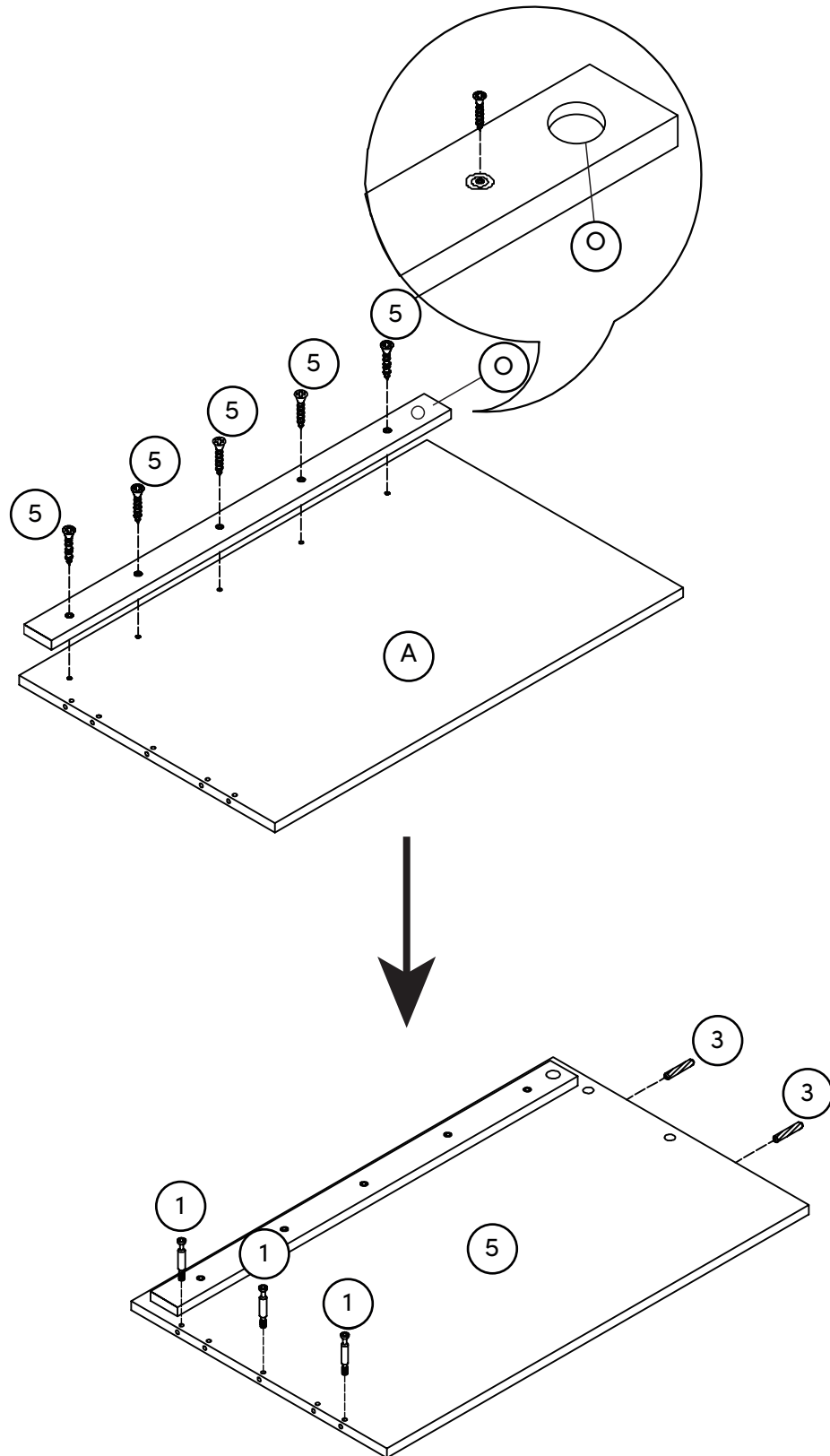


22



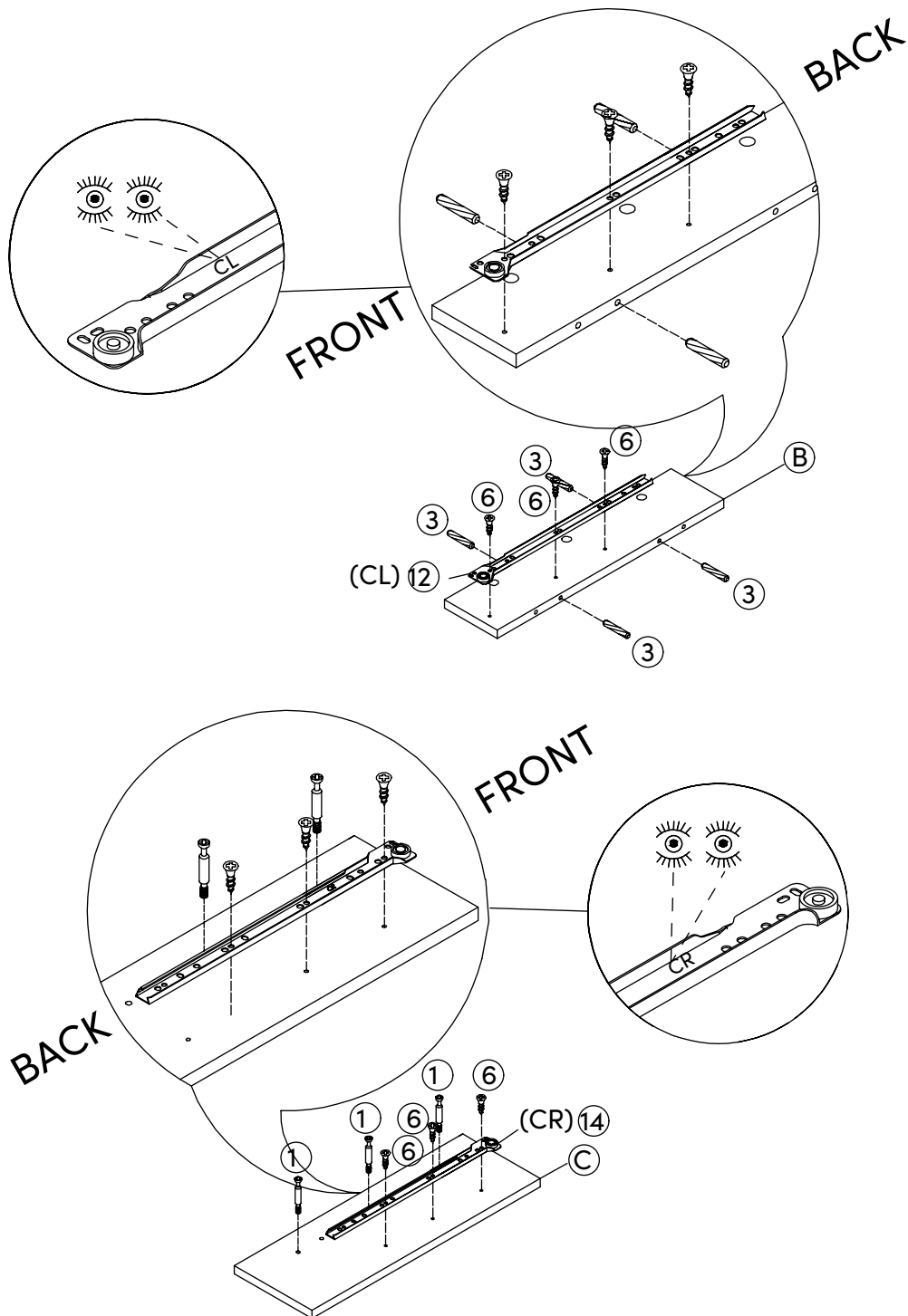
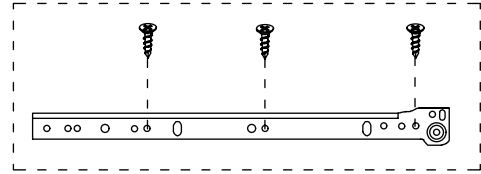
Step 1

Lay down packaging or carpet as a working surface and let's fire this thing up!



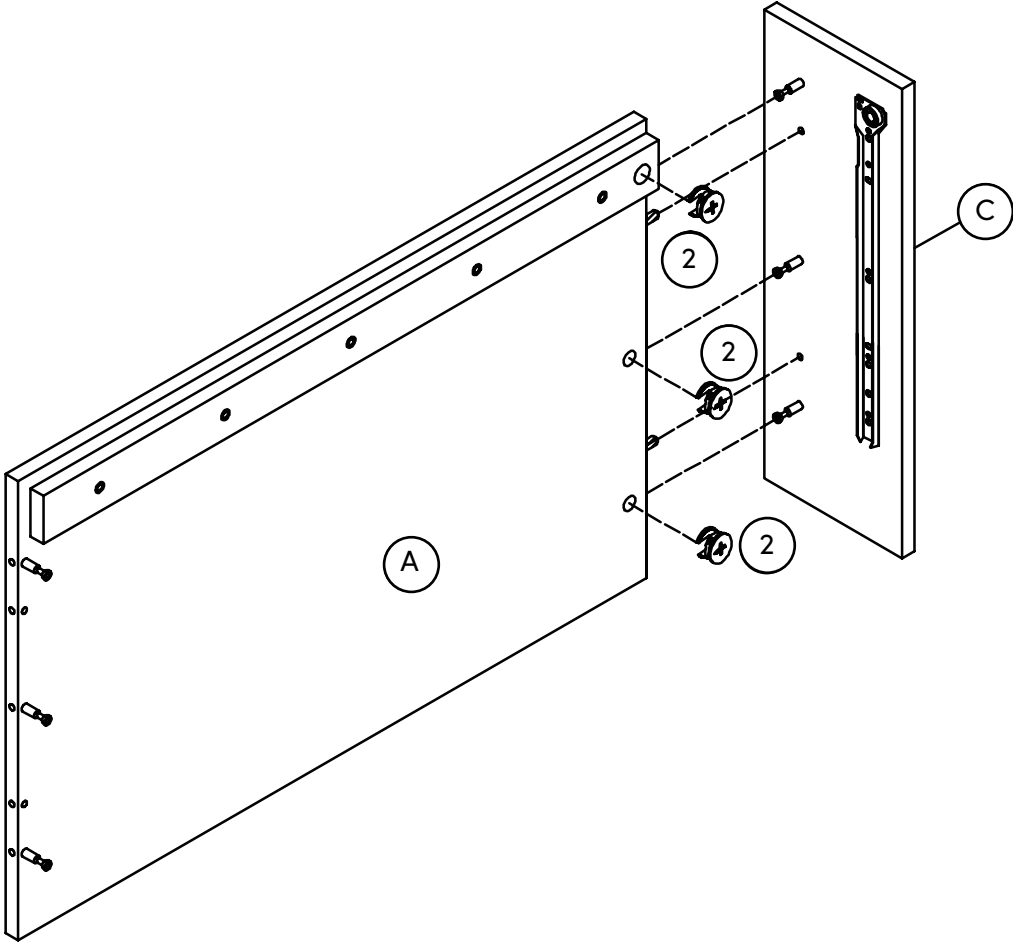
Step 2

Secure the left side panel slide (12) to the middle support panel (B) and the right side panel slide (14) to the right side panel (C).



Step 3

Secure the right side panel to the table top.



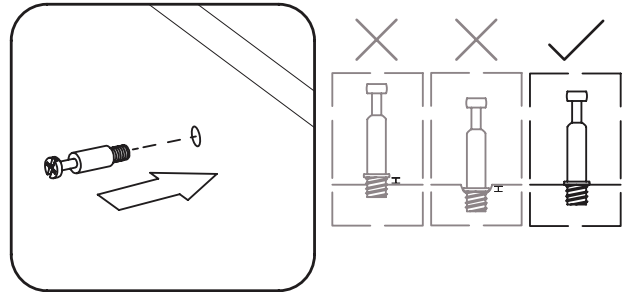
How to use cam locks

Did you know?

Cam locks are used to join two panels together, usually the edge of one to the flat side of another.

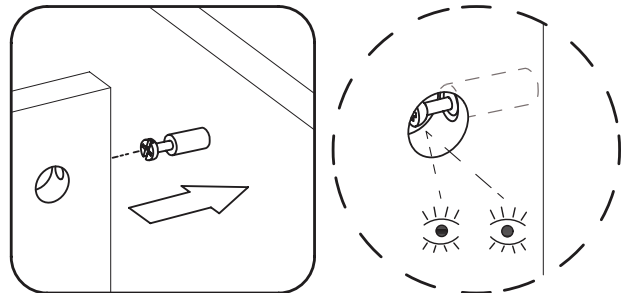
First, your cam bolt (or cam pin) will need to be properly inserted into the flat side of the board.

Important Note: Only tighten the cam bolt until it is secure. Do not over-tighten.



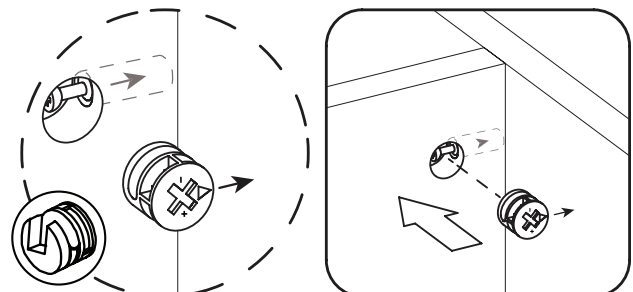
Next, you will fit the proper hole on the edge of the associated joining panel over the cam bolt.

Important Note: When installed properly, the head of the cam bolt will be visible through the larger hole on the side of the joining panel.



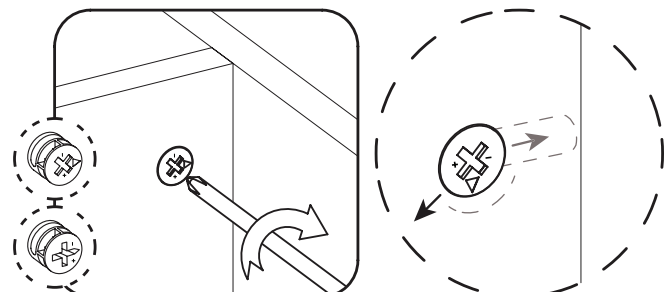
Next, you will notice the cam lock has a "C" shaped back. Commonly, an arrow on the front of the cam lock points in the same direction as the open section on back.

Using these as your cue, insert the cam lock into the large hole so the opening of the "C" fits over the head of the cam bolt.



Using a screwdriver, you will turn the cam lock until it stops, usually between 130° or 180°. You will feel the panels pulling closer until they are secured.

Important Note: Only turn the cam lock until the panels are fully engaged & feel secure. Turning too far may lead to hardware failure.



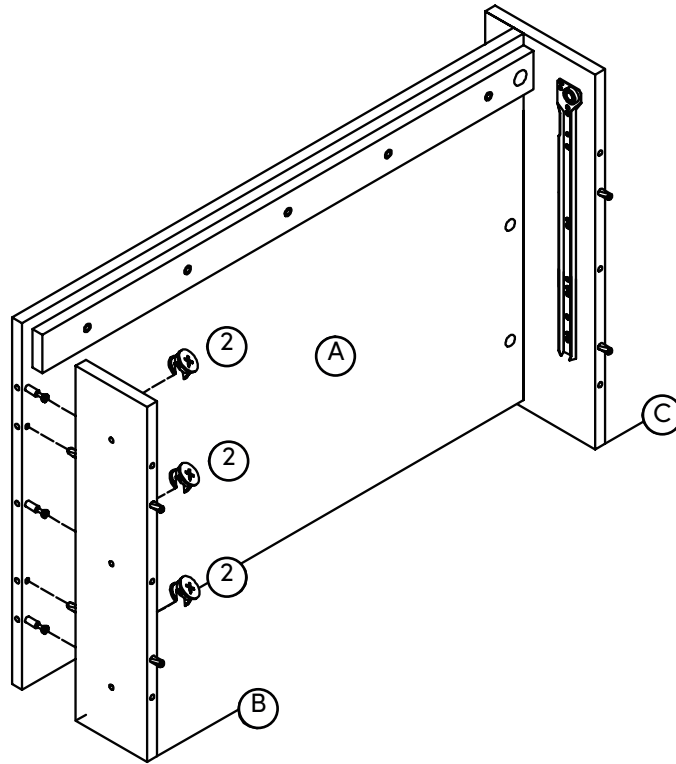
Still having issues?

If a cam lock seems to be spinning in place or is not "catching" or pulling the panels together as expected, first remove the cam lock & try again while making sure that everything is properly positioned & oriented.

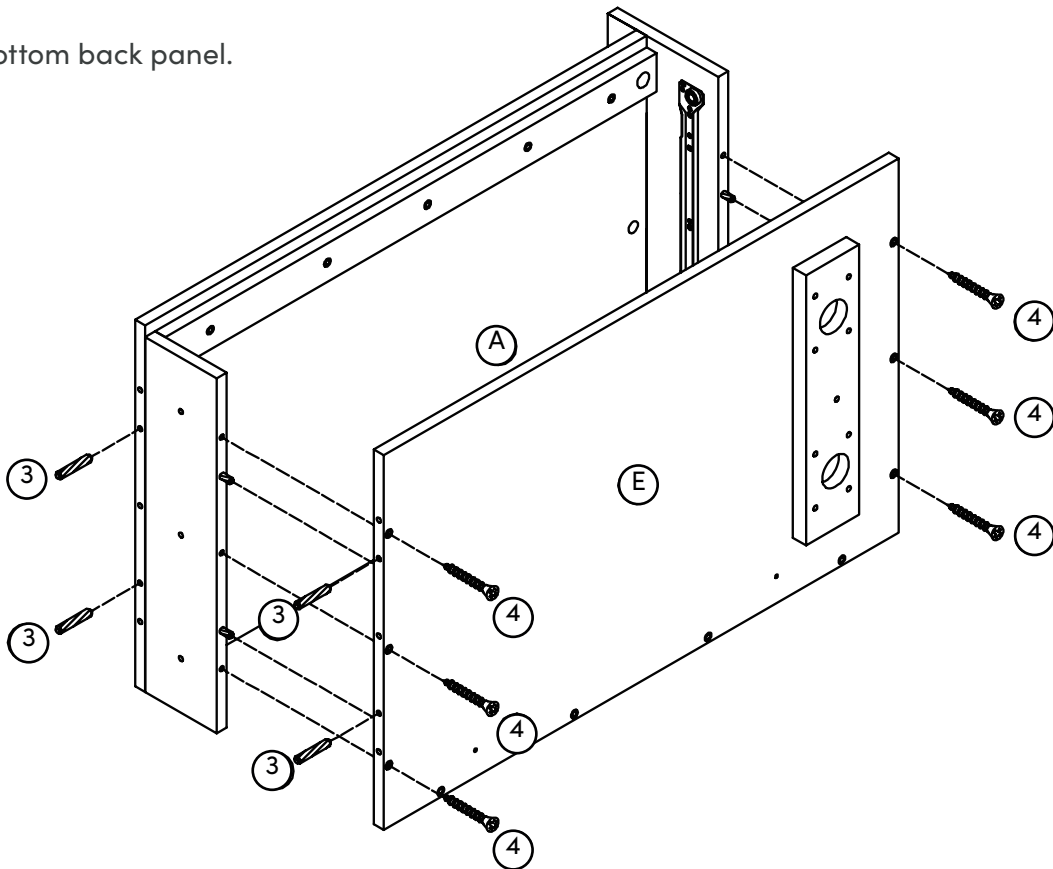
If you are still having issues getting things working as expected, first remove the cam lock then unscrew the cam bolt slightly (less than 1 complete turn) to see if that helps with the alignment of the cam lock & bolt.

Step 4

Attach the middle support panel to the table top.

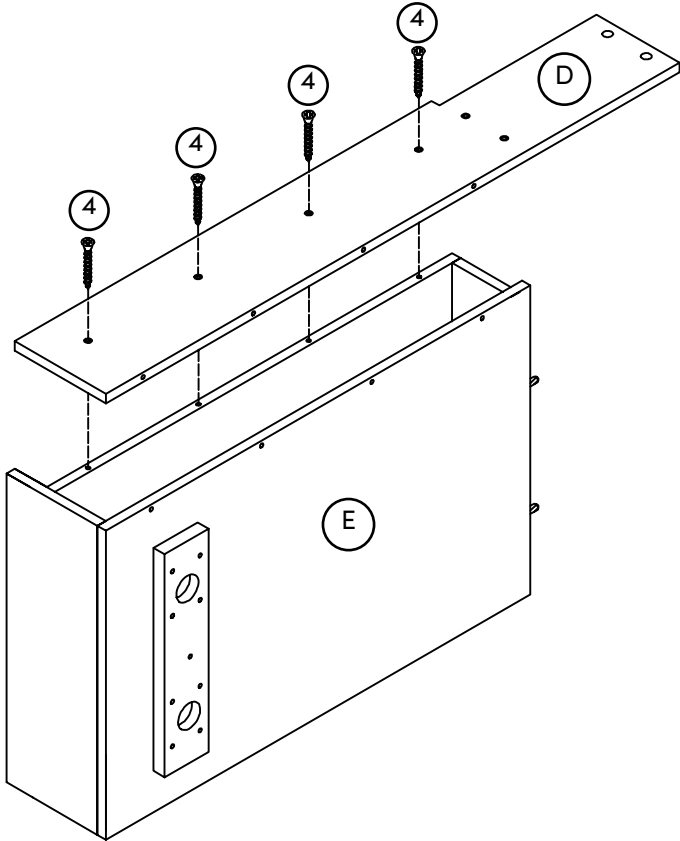
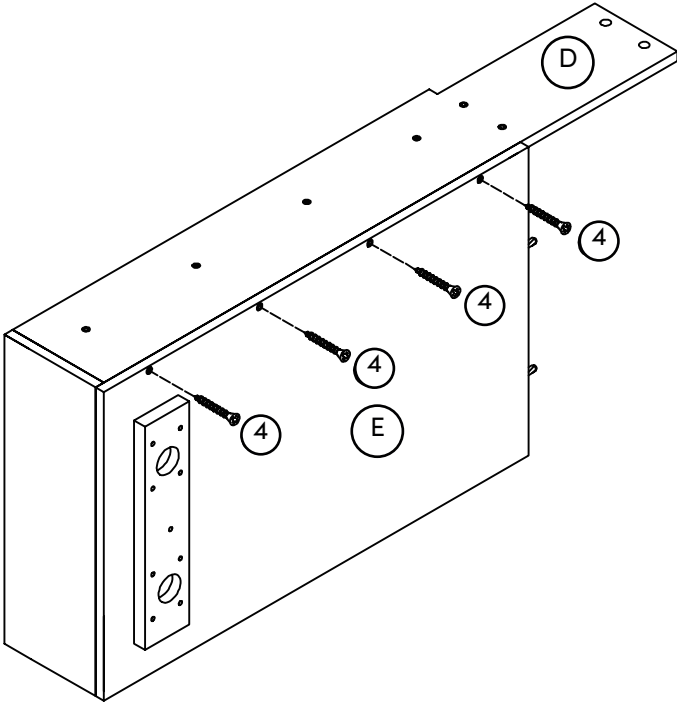


Secure the bottom back panel.



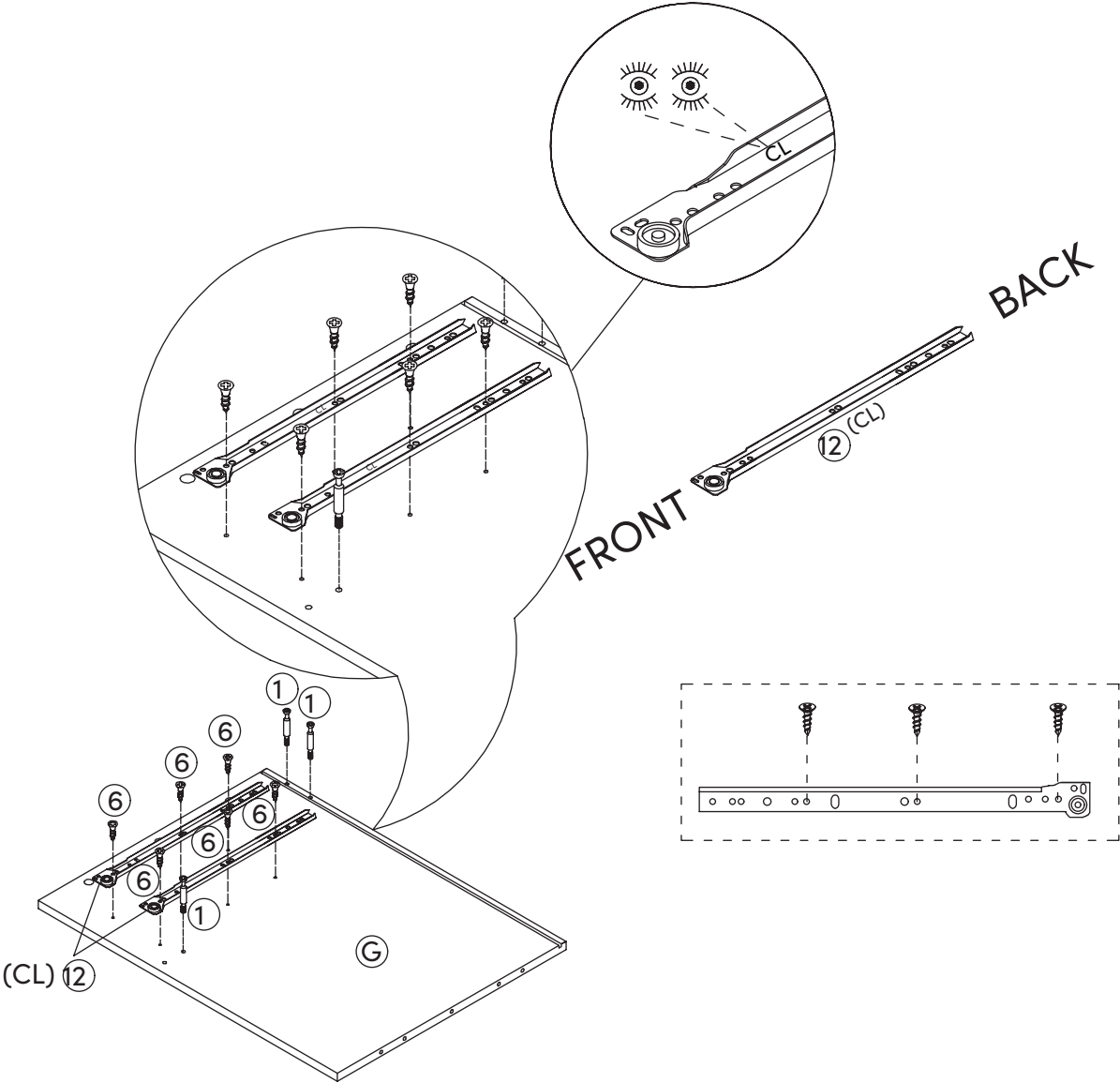
Step 5

Screw in the back panel on the top and the sides.



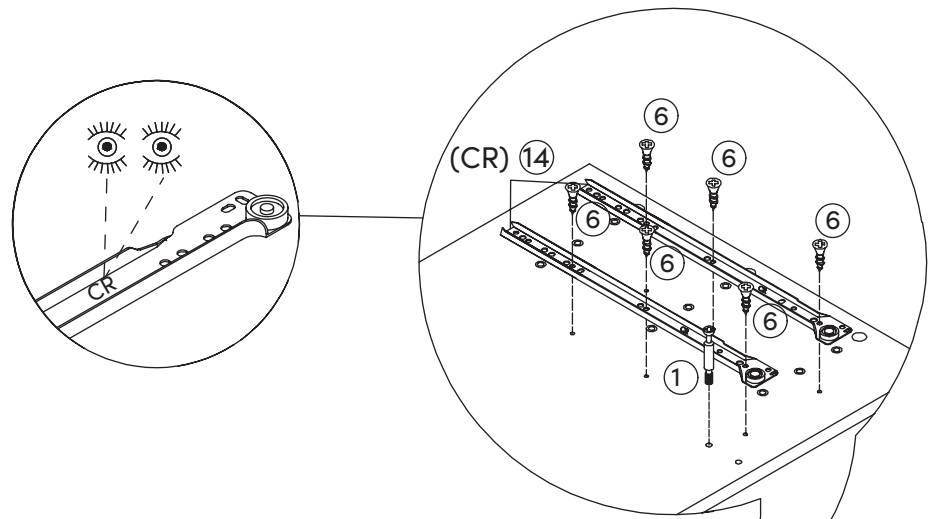
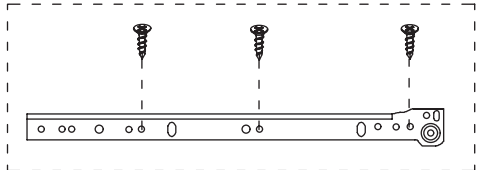
Step 6

Tip from a friend to a friend: be extra aware of screwing in the side panels correctly. Make note of which way the front and the back goes.

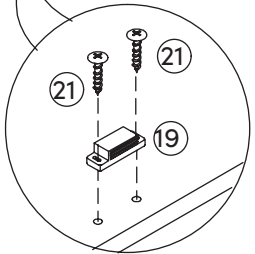
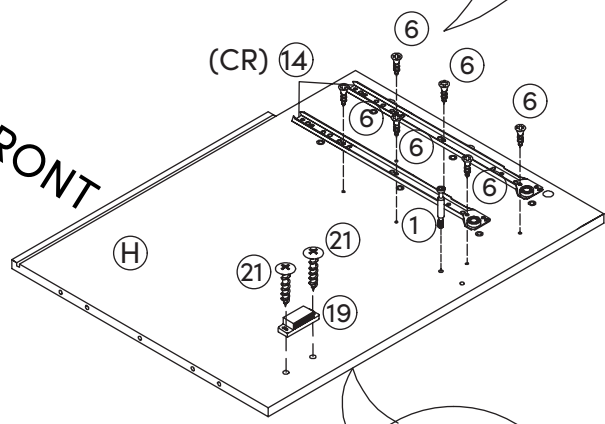


Step 6 cont.

Repeat on the particle panel and don't forget to screw on the magnetic piece!

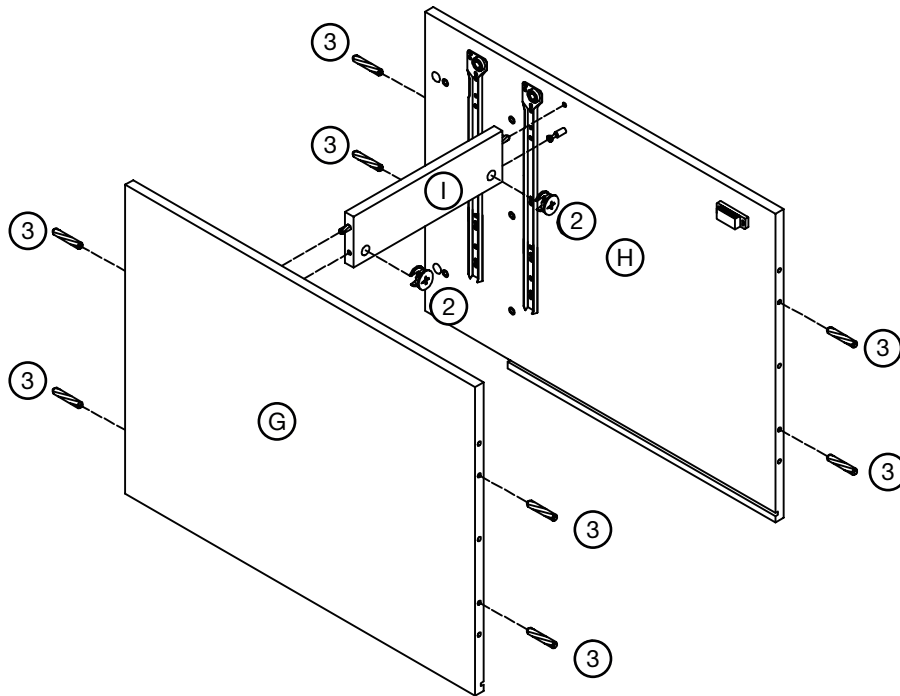
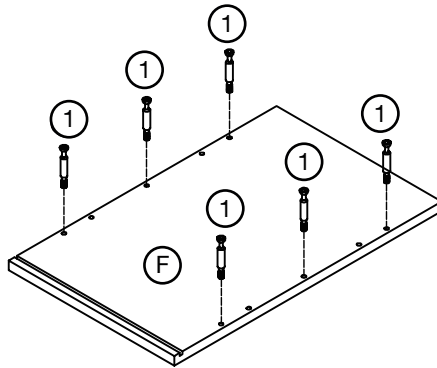
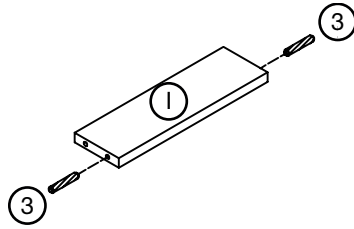


BACK FRONT



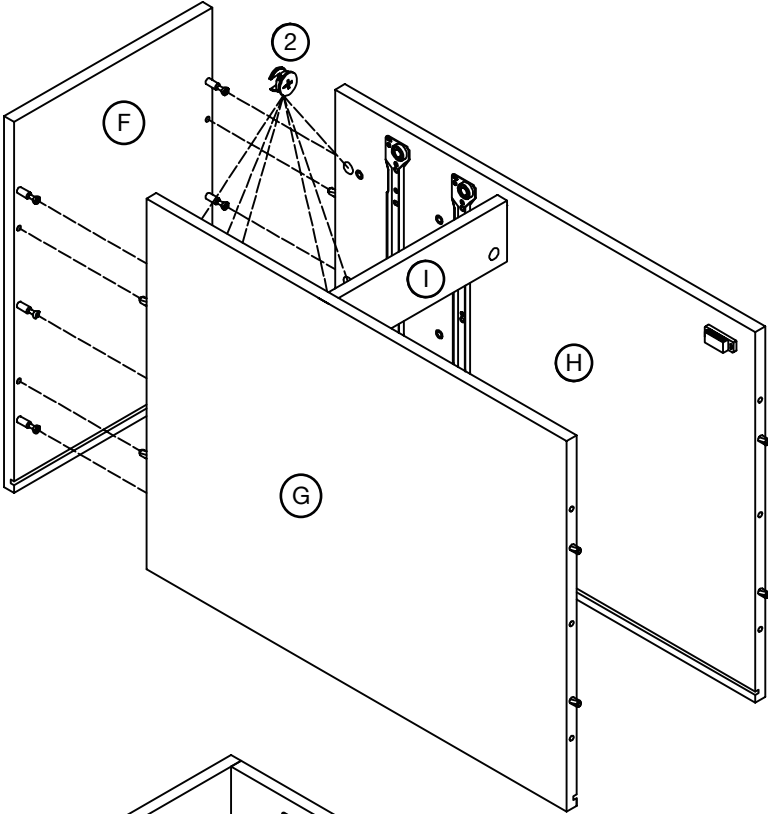
Step 7

We know, there are a lot of pieces with this product, but take it slow, you're doing great!

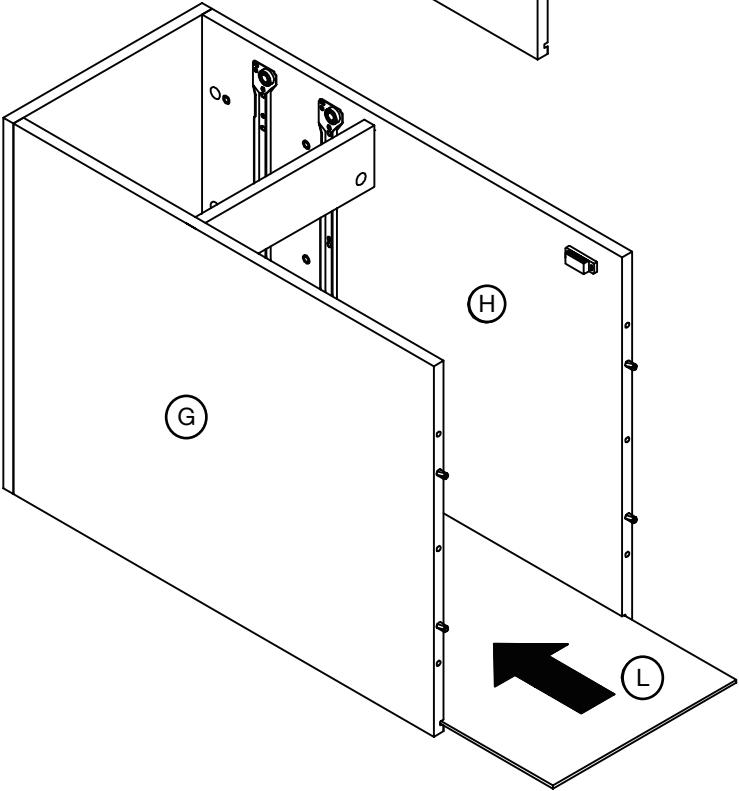


Step 8

Attach the top panel.

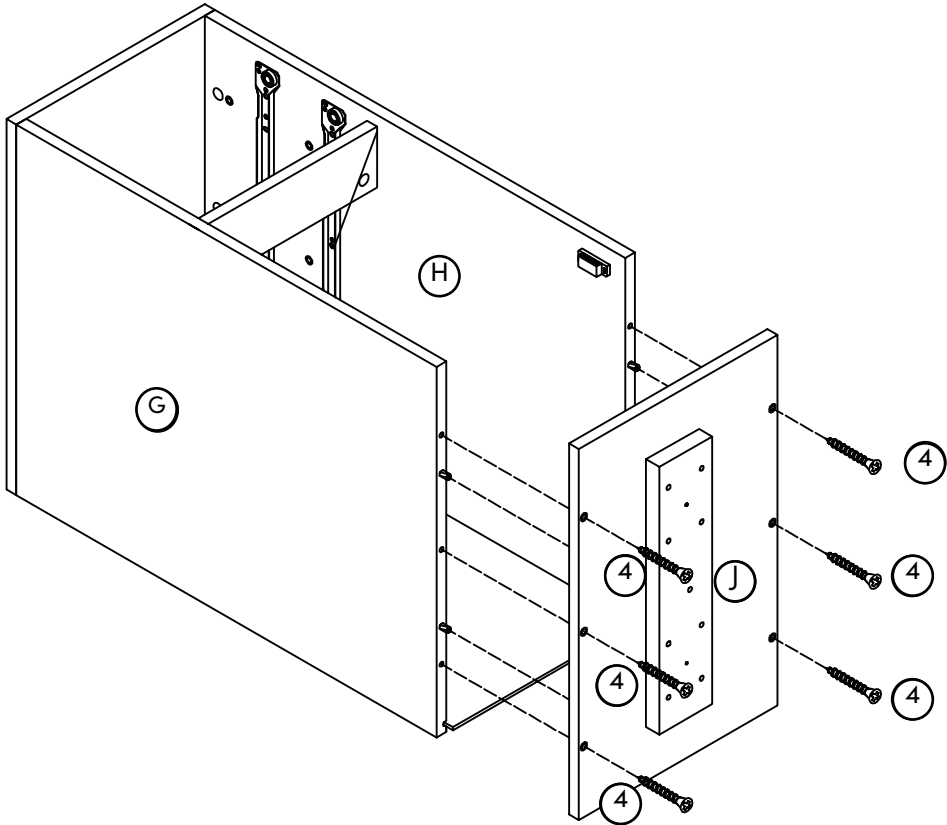


Slide in the left back panel.



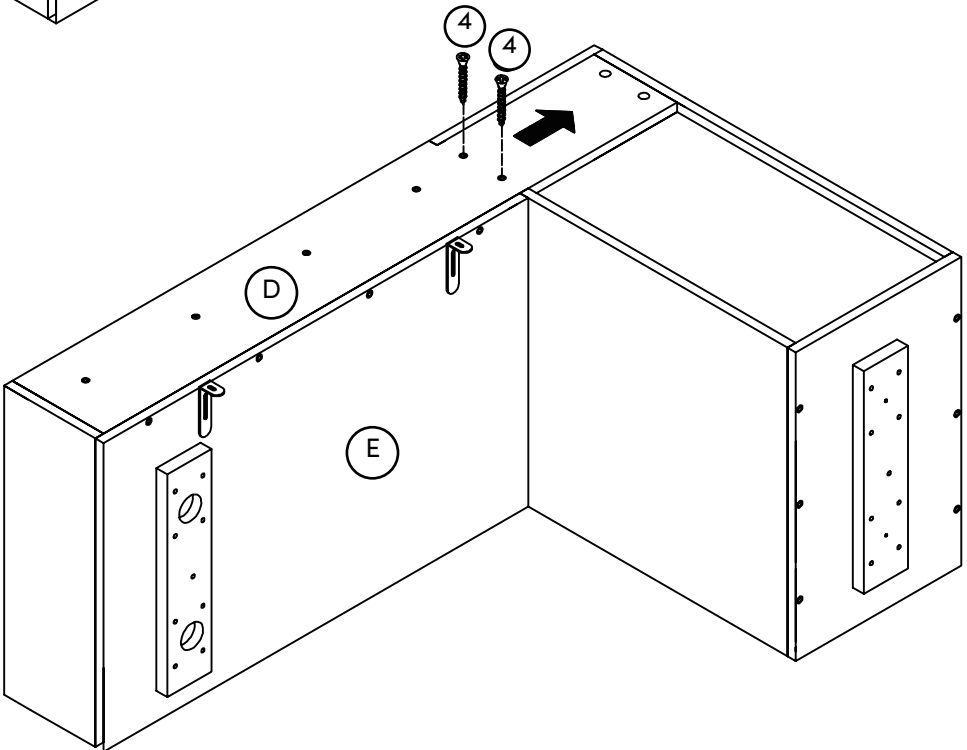
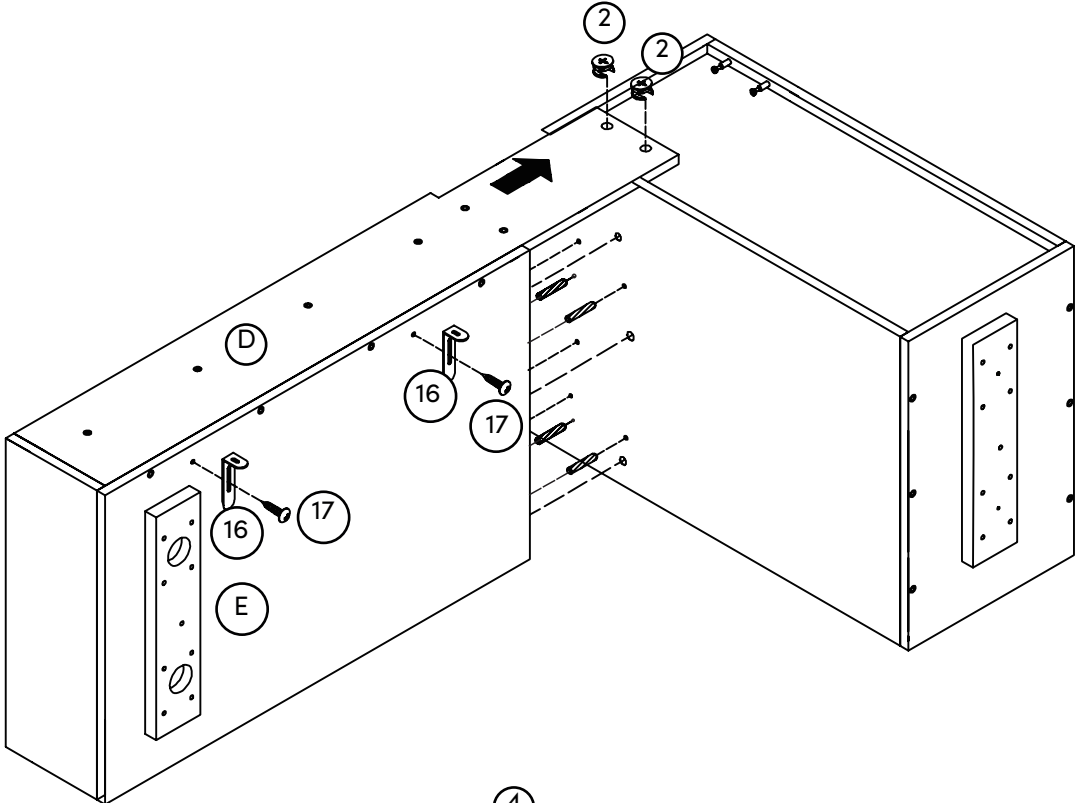
Step 9

Screw in the back panel. You're halfway there!



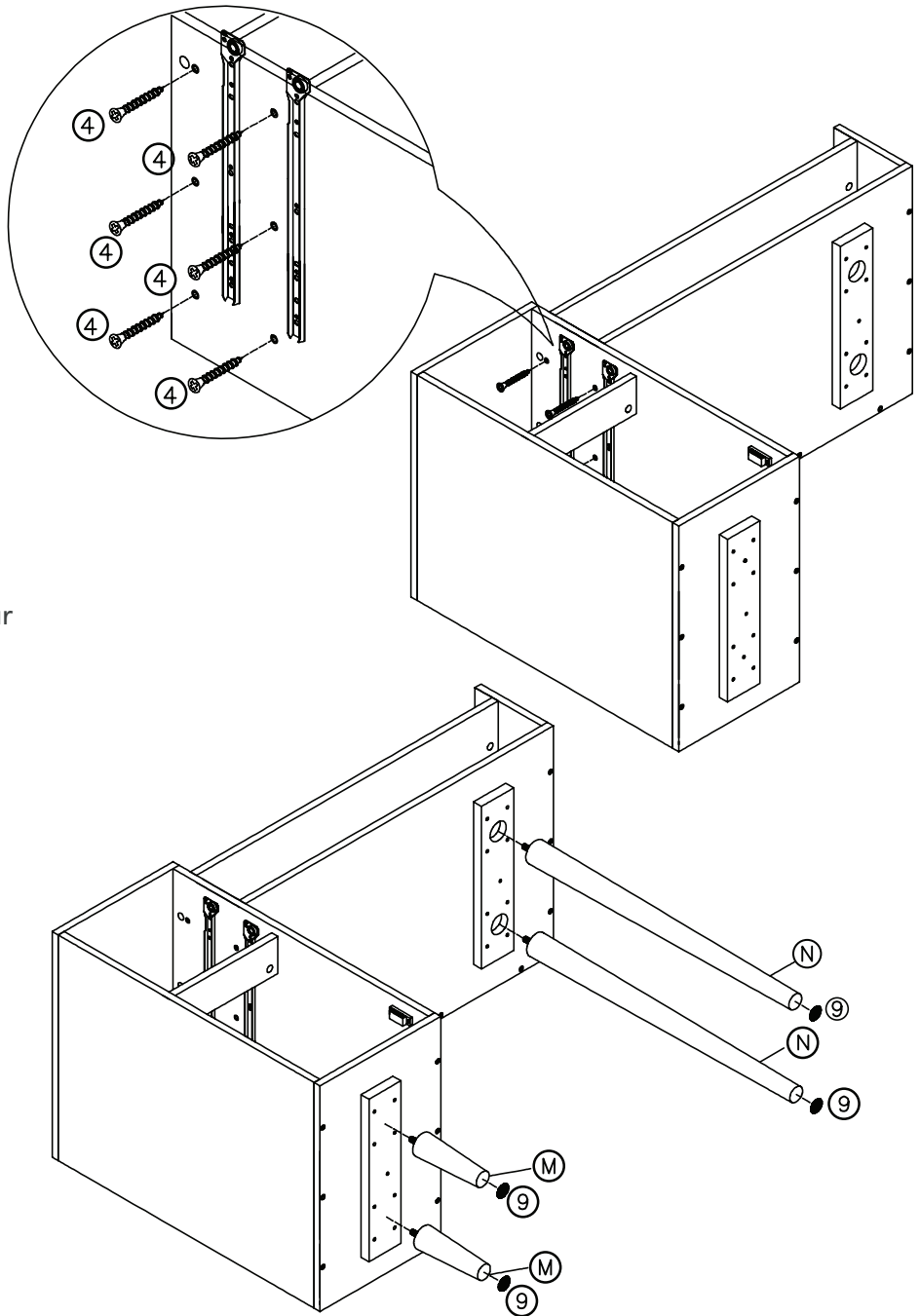
Step 10

Time to secure the back panel and bottom deck panel.



Step 11

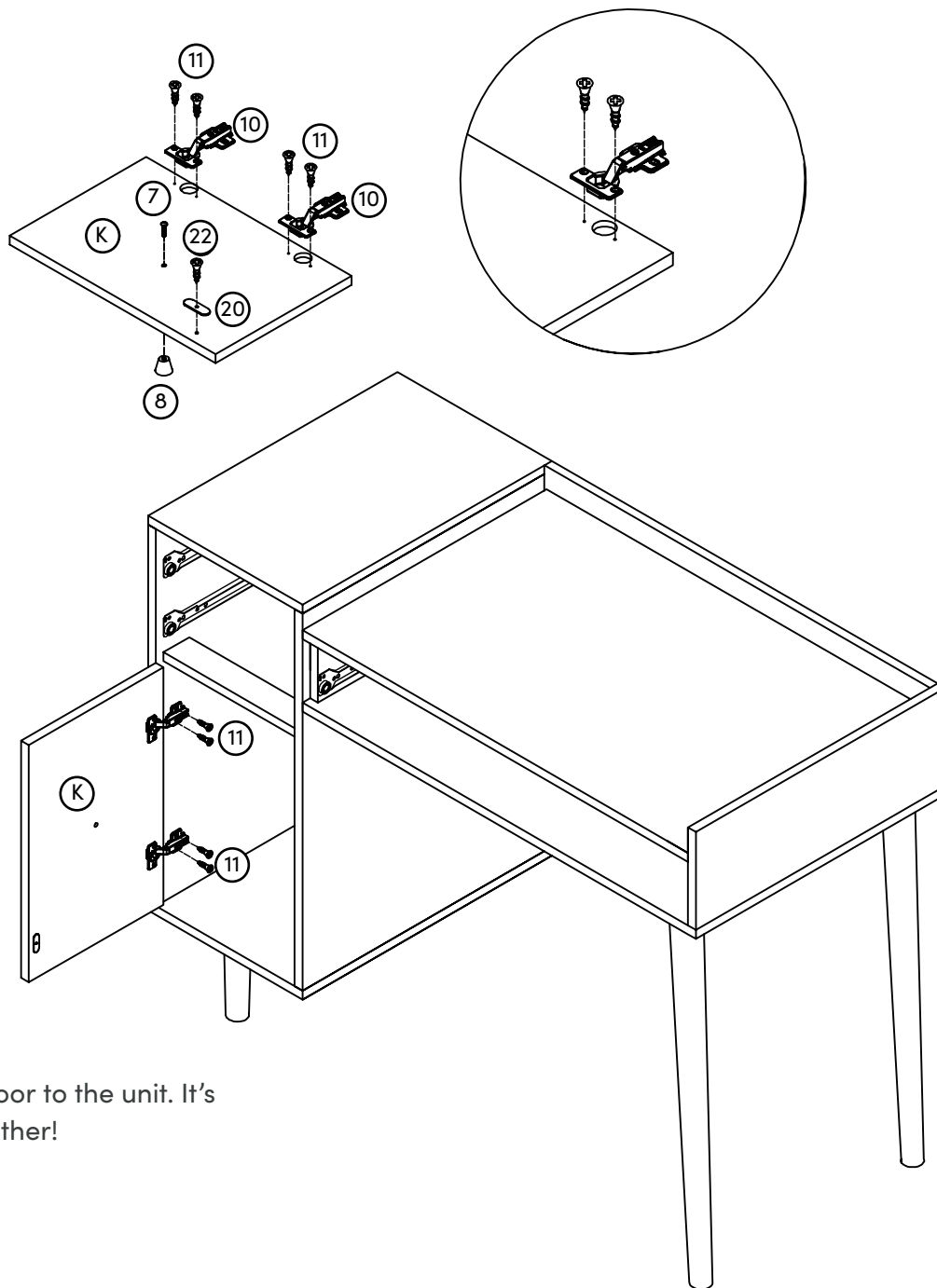
Time to work on securing the drawer slides. You're going to want these for easy access to the snacks you'll be hiding in here.



Twist on the legs and attach the footpads. Got to keep your beautiful floors safe!

Step 12

Screw on the hinges to the door panel and twist on the handle.

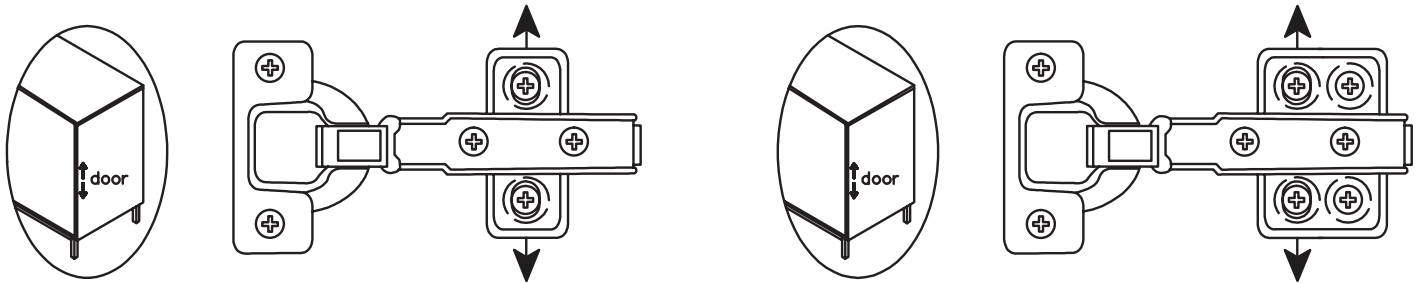


Screw on the door to the unit. It's all coming together!

Is your cabinet door looking crooked or unevenly spaced?

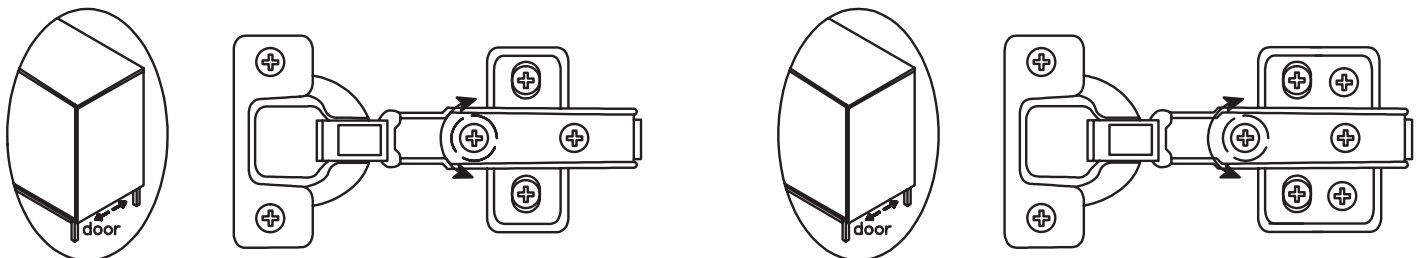
Then you've come to the right place. Follow the illustrations below to get your cabinet door aligned and ready for action.

If your door is too low or too high...



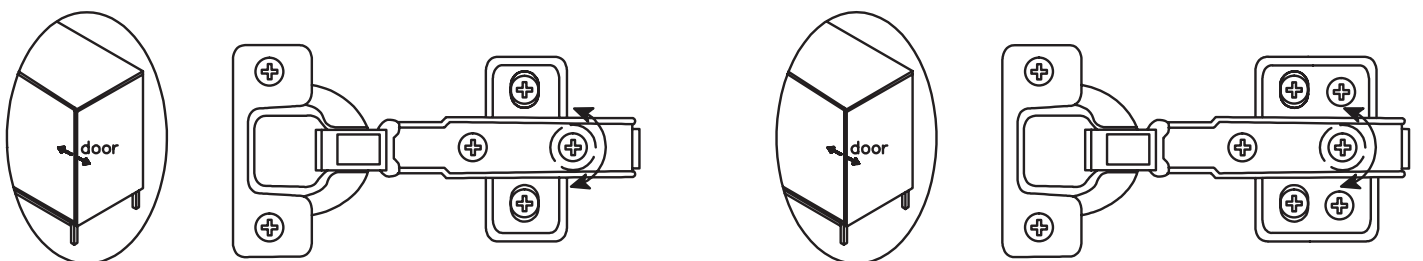
Loosen the height screws, then move the door up or down to make it level.

If the space between your doors is off...



Loosen the side-to-side screws, then screw counter-clockwise to make the gap wider or clockwise to close any gaps.

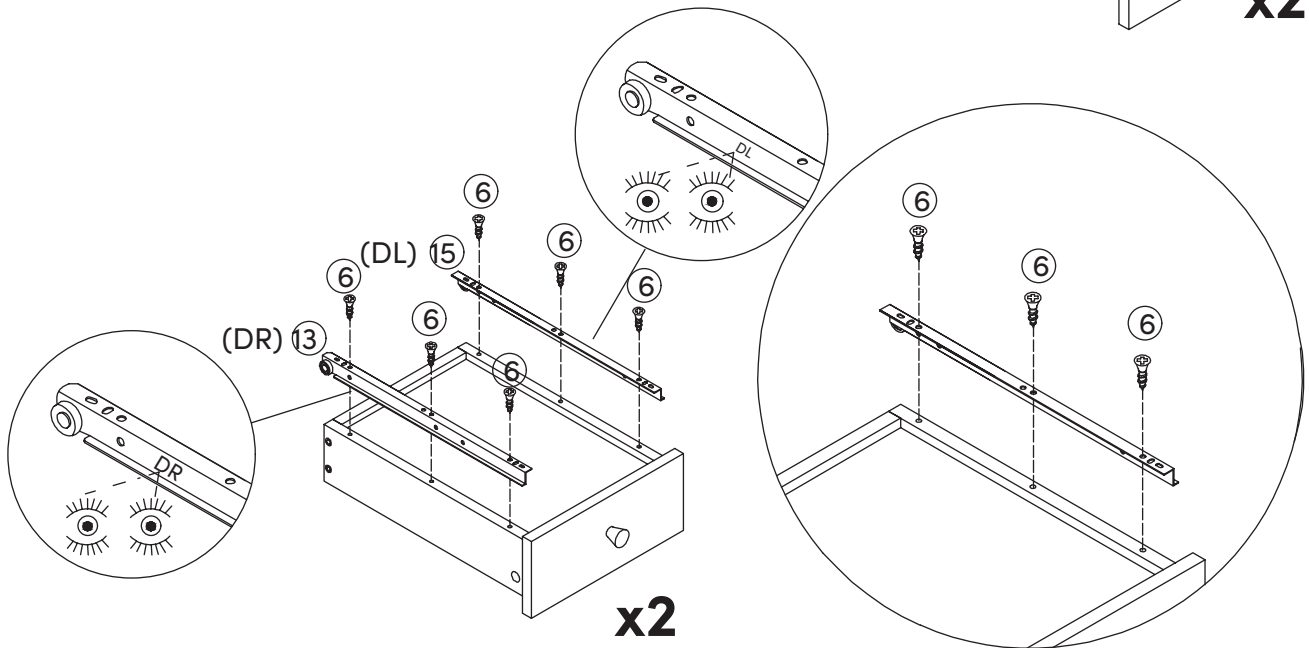
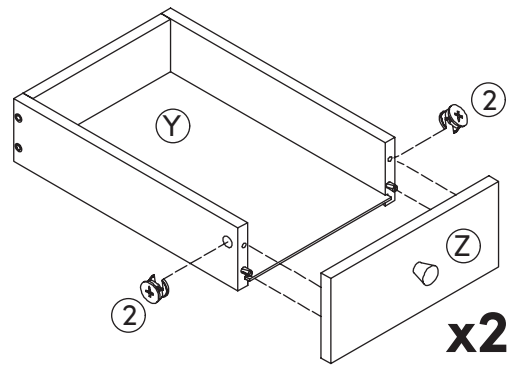
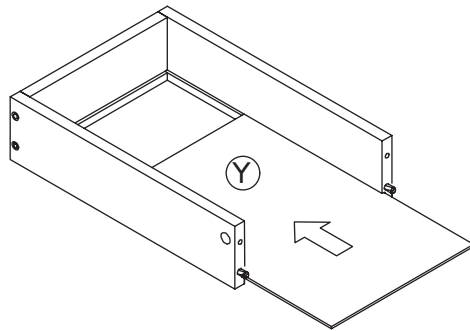
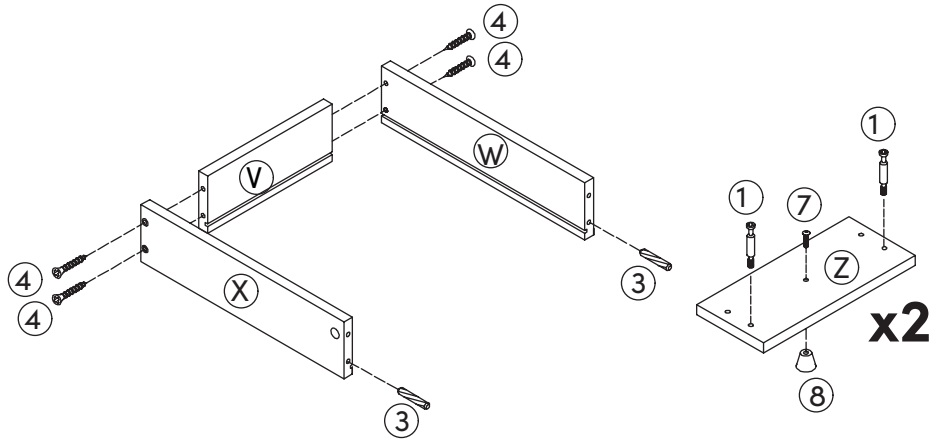
If you need to adjust the depth of the doors...



Adjust the in-and-out screws until the door is aligned with the side of the cabinet.

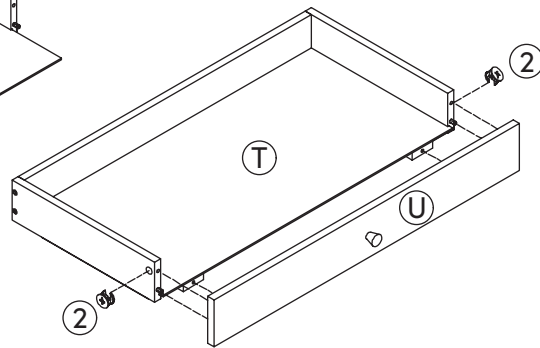
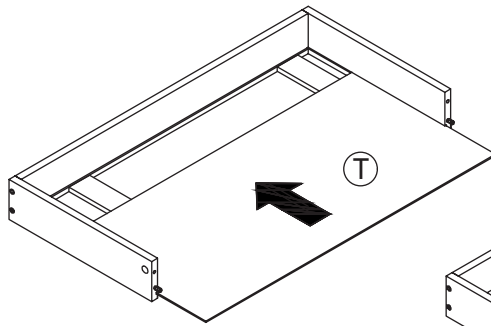
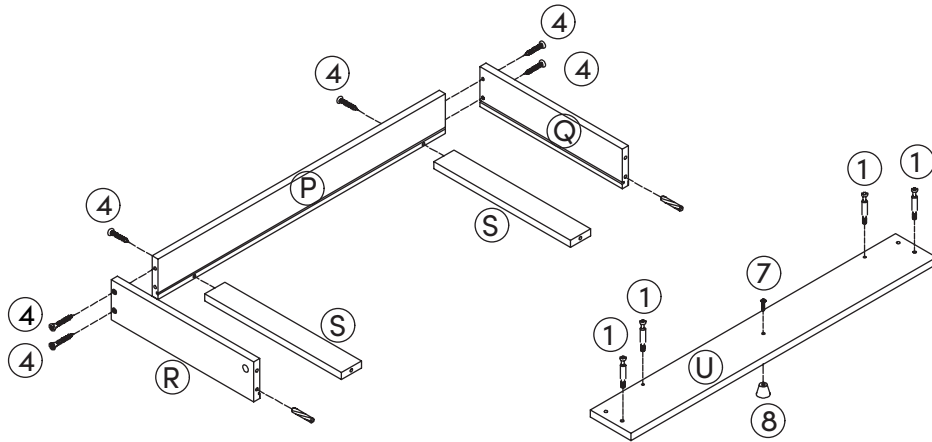
Step 13

Time for the drawers. Repeat this step twice to finish both sets of drawers.

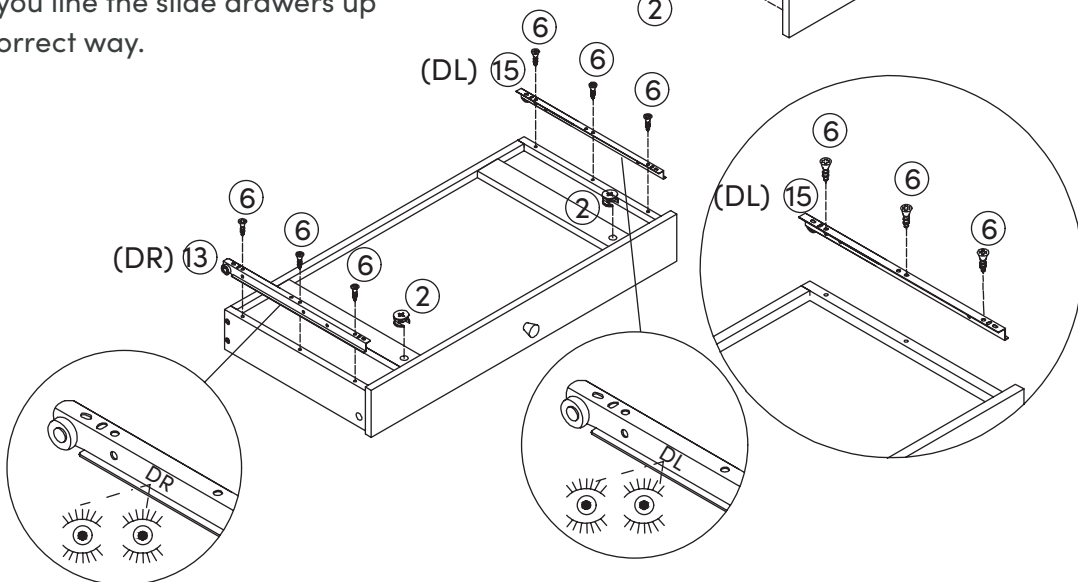


Step 14

Let's consider this your workout for the day. Take a five minute break and order yourself some pizza before coming back to finish up the last drawer.

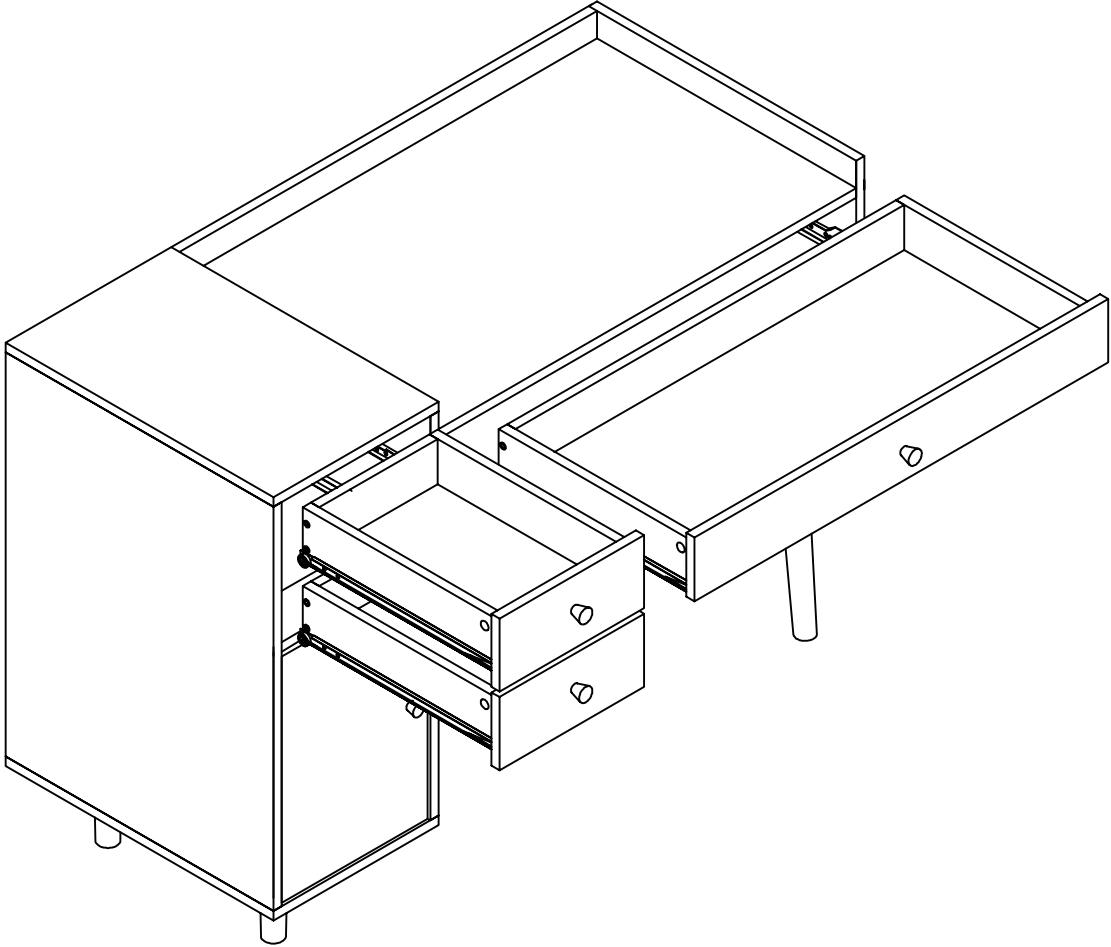


Pay careful attention to make sure you line the slide drawers up the correct way.



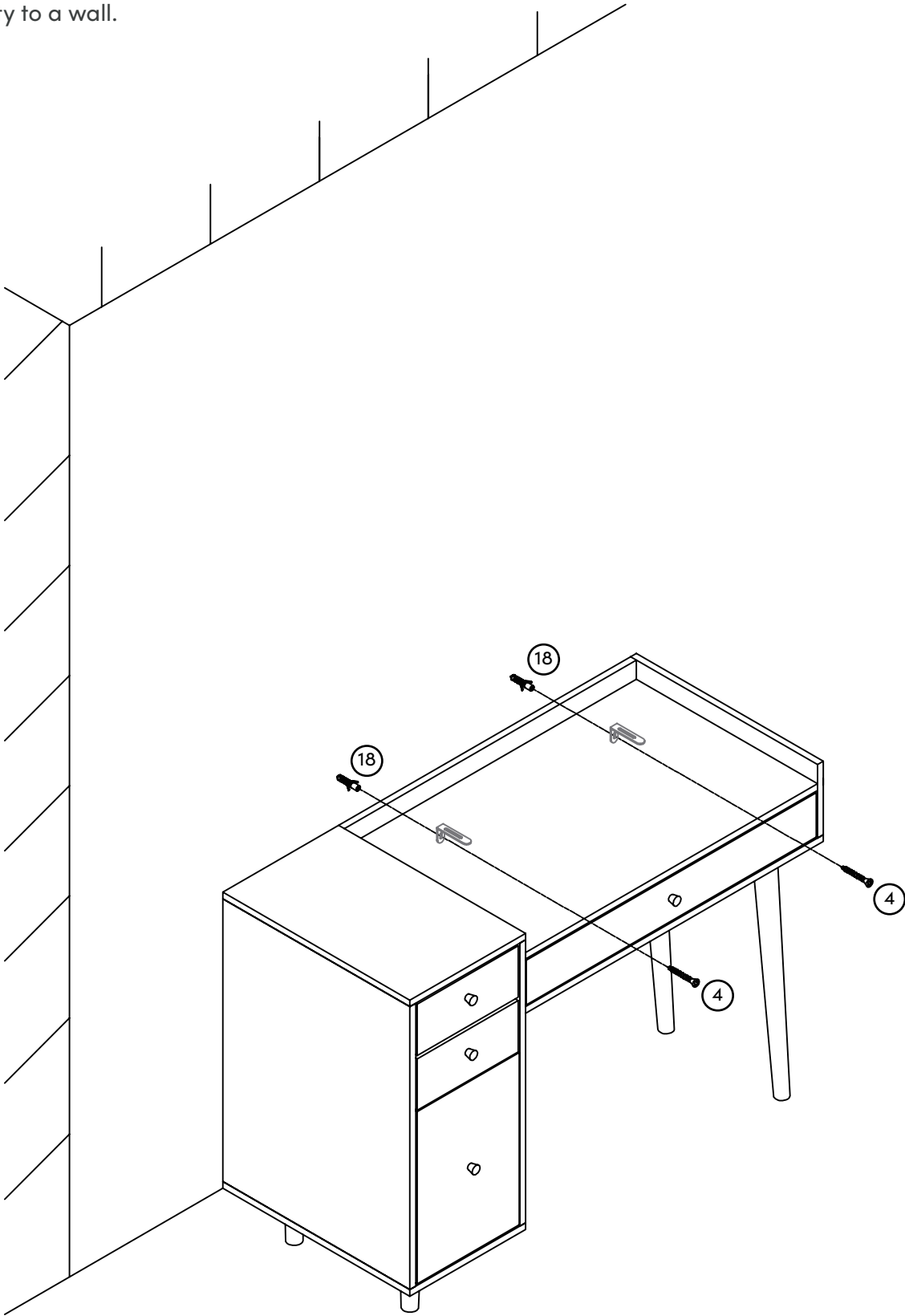
Step 15

Slide in your drawers and ta-da!
You did it! *Cue party music*



Step 16

For safety, we recommend securing your vanity to a wall.



No heartburn, when we handle the return

Our way



Give us a call



Replacement



You

Their way



Re-package item



Schedule pick up



Track package



Replacement



You

We really don't want you to go through the hassle of re-packaging your item and sending it back, because let's be honest...nobody has time for that.

Safety first, fun later

We want your Daisy Desk to last as long as possible, so we recommend that you tighten the screws 2 weeks after assembly and for added safety check the tightness of all screws every 2 months.

Safe use of this product starts with you.

Use this desk responsibly with the primary concern for your safety. Follow assembly instructions carefully and inspect product upon receipt and each use.

Its parent companies cannot be held legally responsible for any injuries or death resulted from failure to follow instructions or improper use of this product.

Do not modify the structure of this product in any way.

Our products have been tested to meet specific safety measures as they were originally intended to be sold. Any modifications will present the risk of creating significant safety issues. We will not be responsible for.

Proper use

- DO NOT** use for commercial purposes
- DO NOT** place on uneven floor or surface
- DO NOT** stand on table top
- DO NOT** leave spilled liquid on table top
- DO NOT** use table if damaged
- DO NOT** make temporary repairs
- DO NOT** use outdoor

We are only in business if you're happy

We do our best to ensure your furniture arrives without any problems, but occasionally mistakes happen—as humans we are imperfect beings. In the event that a part is damaged or missing, we will be more than happy to provide you with replacement part(s) for free.

Warranty

This product comes with a lifetime warranty from the date of purchase.